



US00D429110S

United States Patent [19] Cheng

[11] **Patent Number: Des. 429,110**

[45] **Date of Patent: ** *Aug. 8, 2000**

[54] **HANDLES FOR AN ARTICLE OF COOKWARE**

D. 369,718 5/1996 Rohrer D7/395
D. 416,172 11/1999 Cheng D7/394
D. 417,586 12/1999 Cheng D7/395

[75] Inventor: **Stanley Kin-Sui Cheng**, Kowloon, The Hong Kong Special Administrative Region of the People's Republic of China

OTHER PUBLICATIONS

Best Products Catalog; p. 217; Items 24, 25 and 26; middle of page, 1993-94.

[73] Assignee: **Meyer Marketing Company Limited**, Kowloon, The Hong Kong Special Administrative Region of the People's Republic of China

Evans Catalog; p. 191y; Items 9 and 11; right side of page, 1994-95.

Primary Examiner—Caron D. Veynar
Attorney, Agent, or Firm—Blakely Sokoloff Taylor & Zafman

[*] Notice: This patent is subject to a terminal disclaimer.

[57] **CLAIM**

[**] Term: **14 Years**

Th ornamental design for handles for an article of cookware, as shown and described.

[21] Appl. No.: **29/090,461**

DESCRIPTION

[22] Filed: **Jul. 9, 1998**

FIG. 1 is a perspective view of handles for an article of cookware showing my new design;

[30] **Foreign Application Priority Data**

Jan. 9, 1998 [GB] United Kingdom 2071582

FIG. 2 is a top plan view thereof;

[51] **LOC (7) Cl.** **07-02**

FIG. 3 is a left side elevational view thereof;

[52] **U.S. Cl.** **D7/393**

FIG. 4 is a rear elevational view thereof;

[58] **Field of Search** D7/323, 354-361, D7/393-395; 16/110 A, 110 R, 116 R; 220/573.1, 573.2, 912; 294/29

FIG. 5 is a right side elevational view thereof;

FIG. 6 is a bottom plan view thereof; and,

FIG. 7 is a front elevational view thereof.

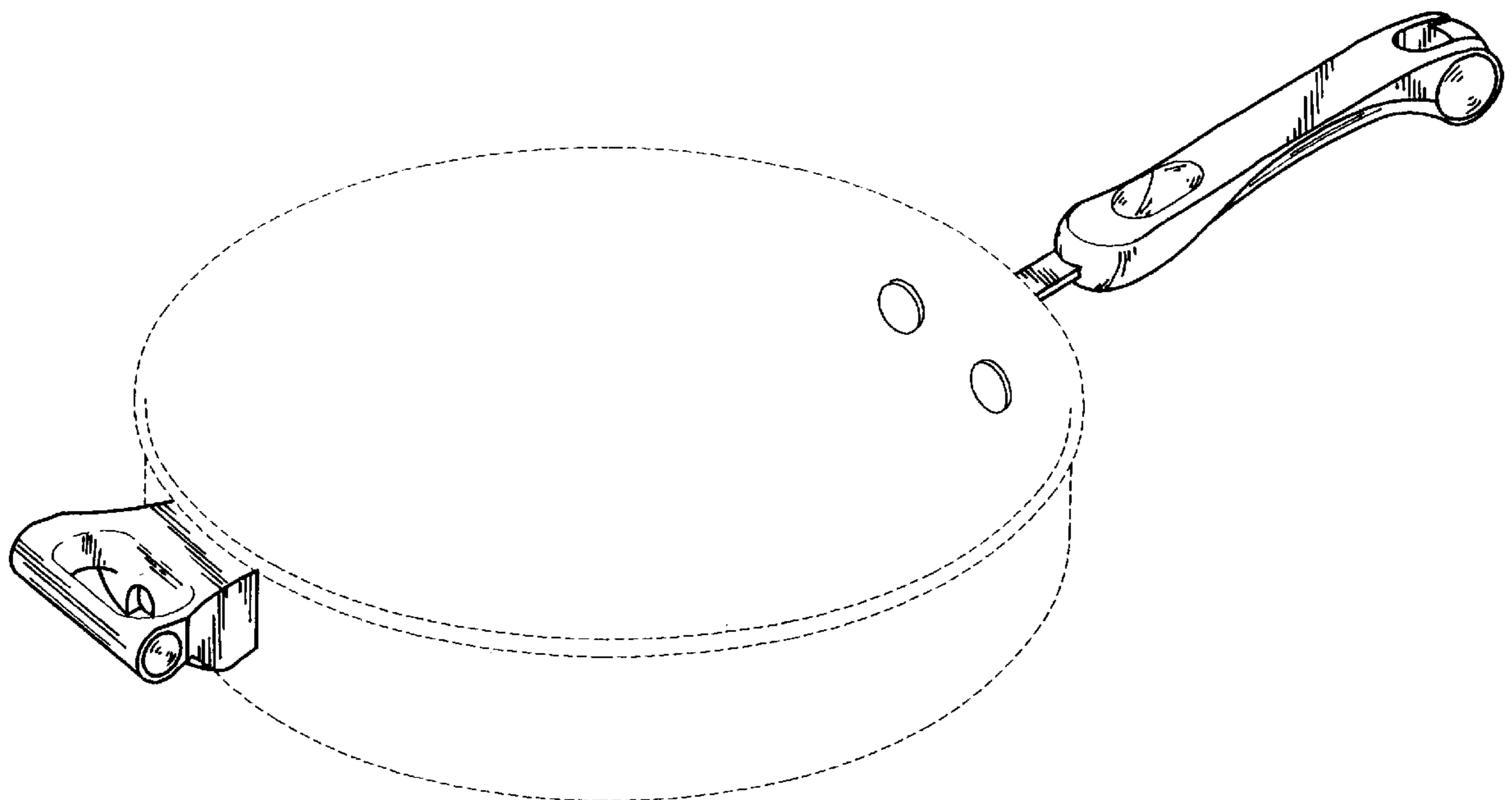
The broken line showings in FIGS. 1-7 are for illustrative purposes only and form no part of the claimed design.

[56] **References Cited**

U.S. PATENT DOCUMENTS

D. 173,530 11/1954 Guild D7/361

1 Claim, 4 Drawing Sheets



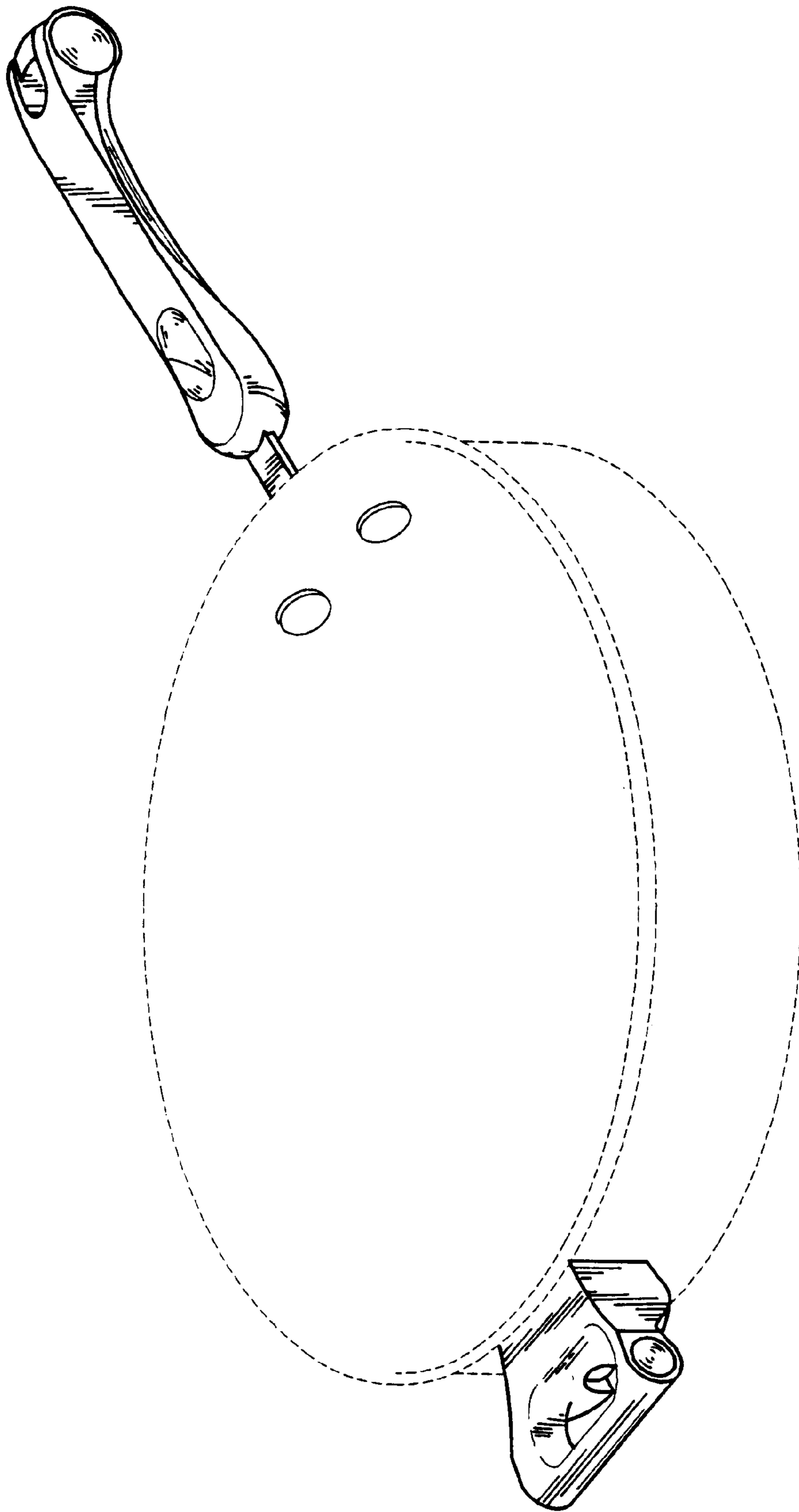


FIG. 1

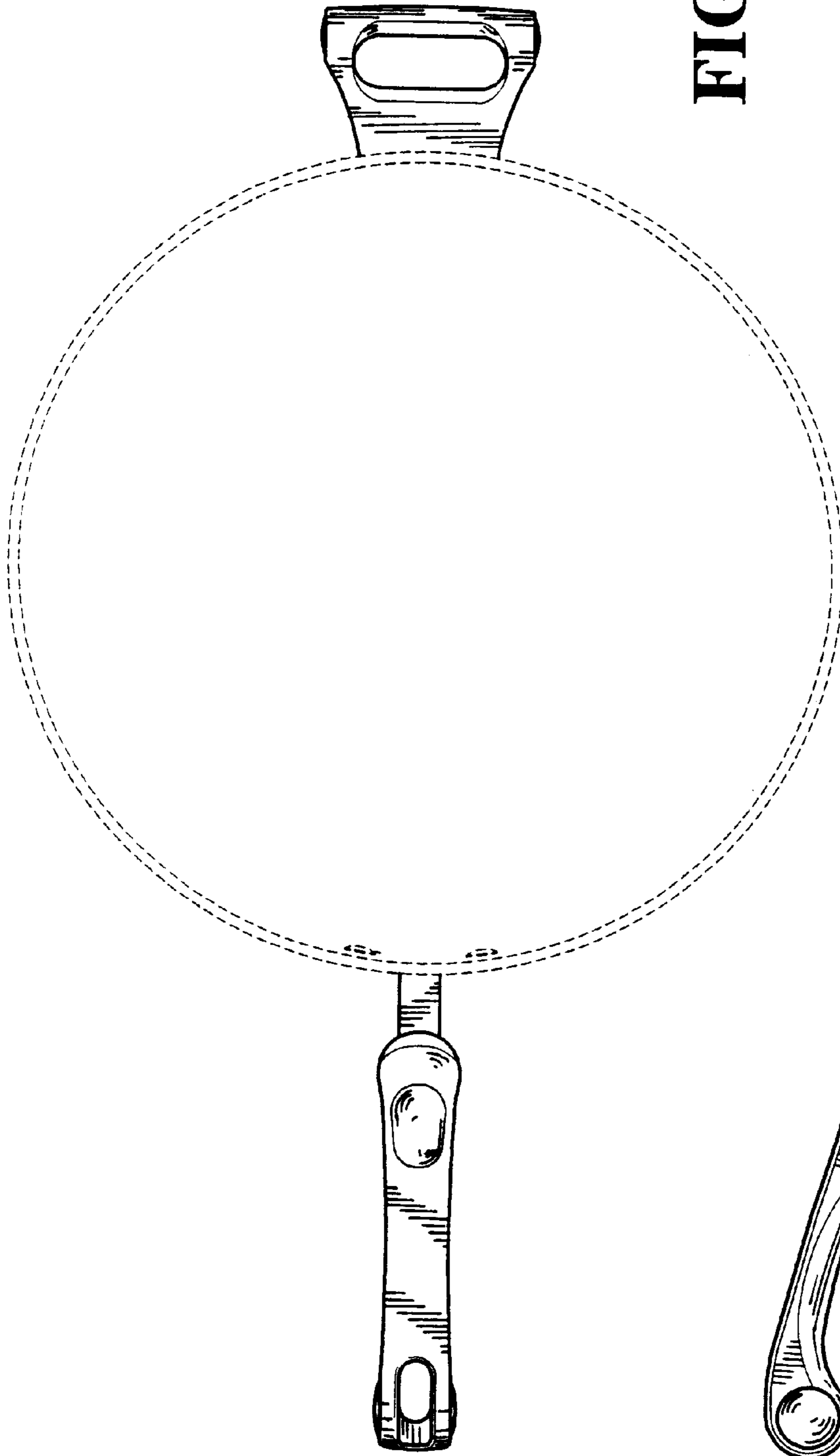


FIG. 2

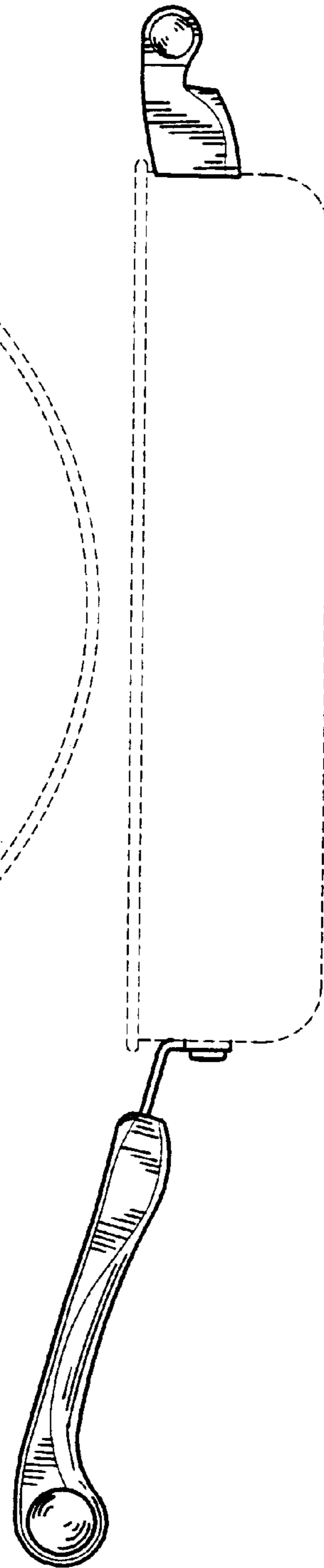


FIG. 3

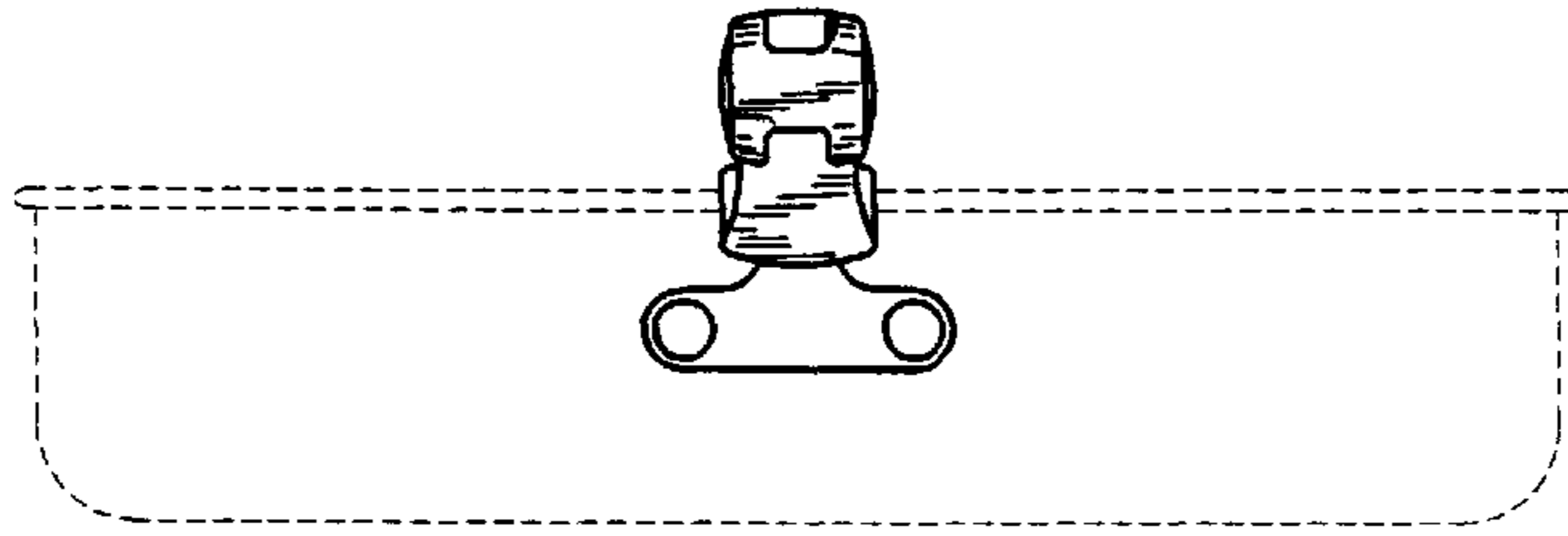


FIG. 4

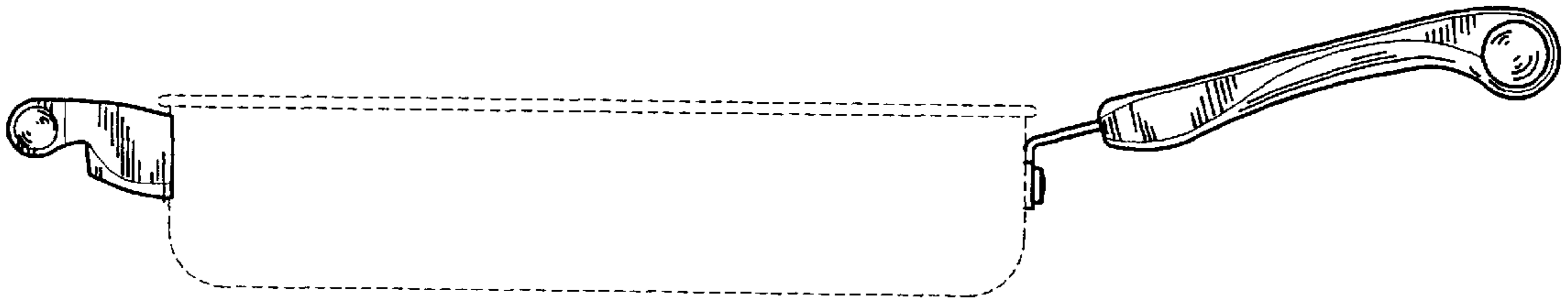


FIG. 5

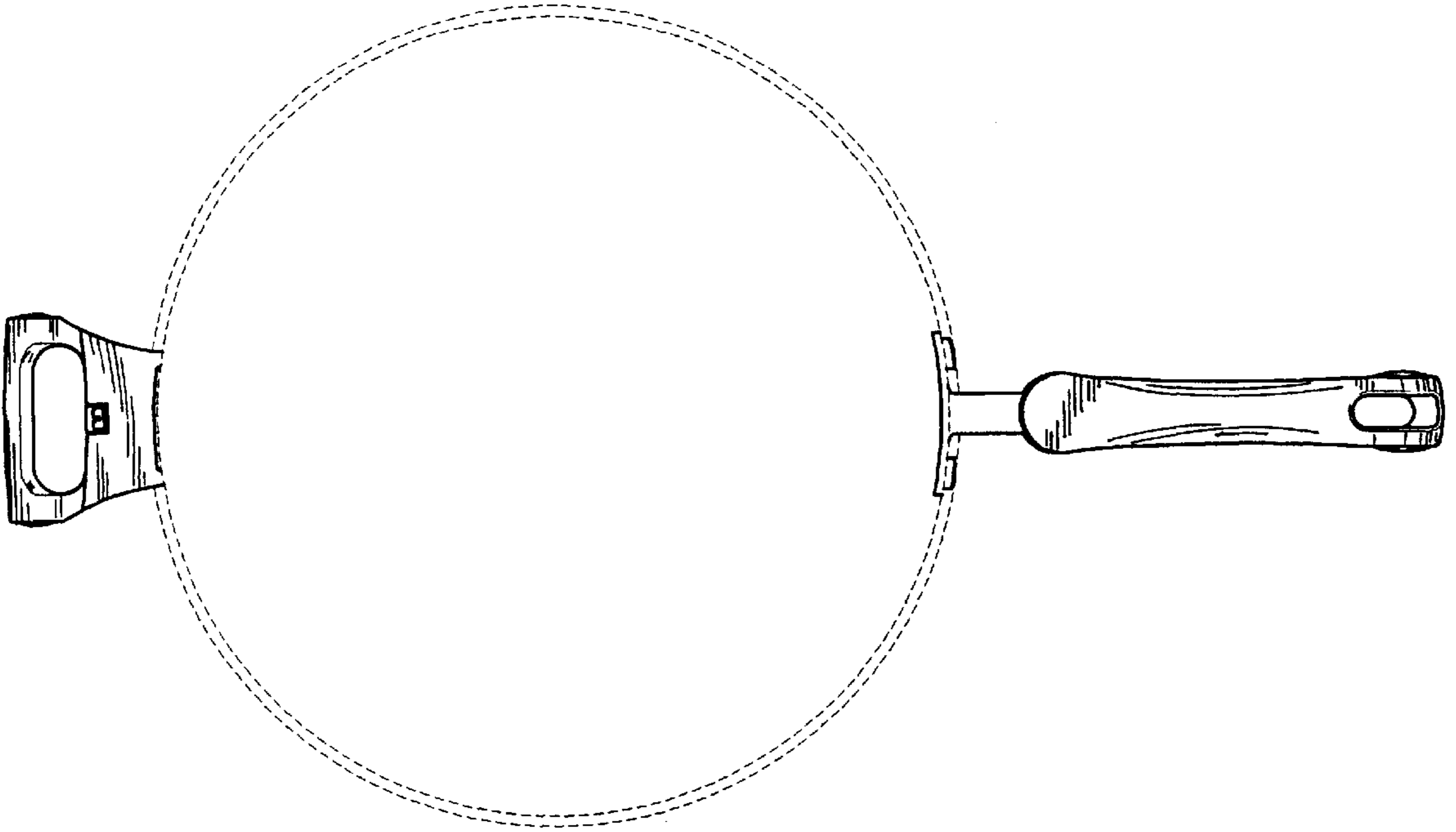


FIG. 6

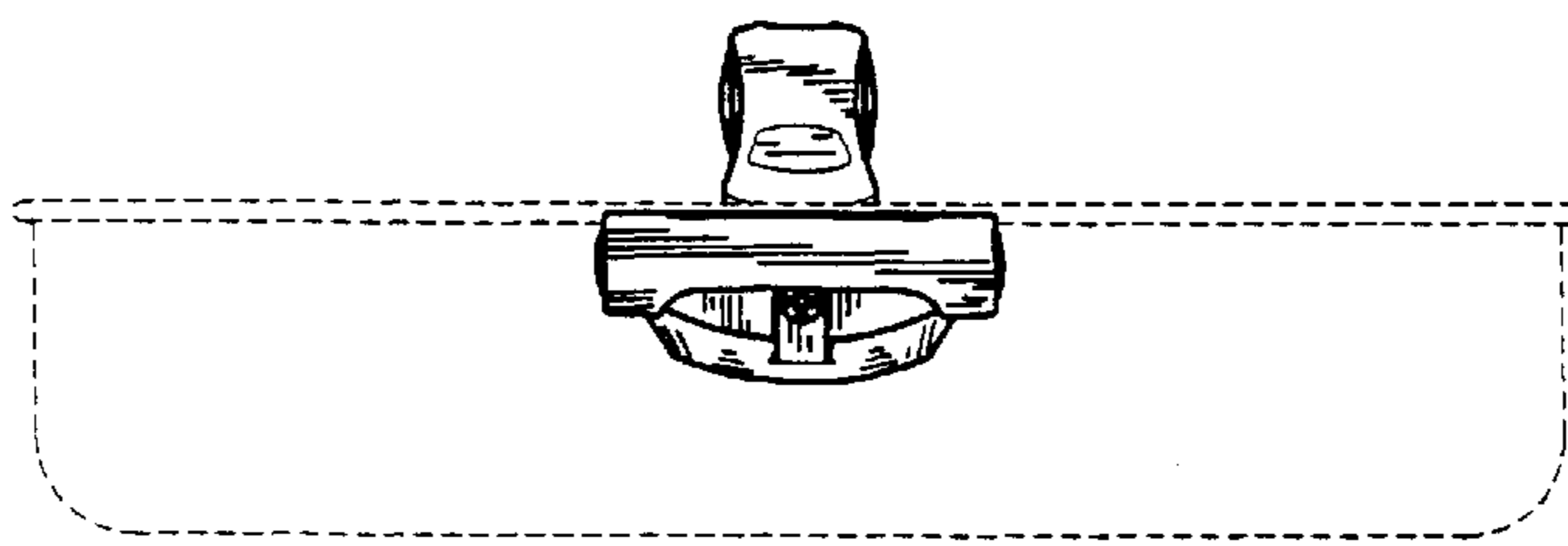


FIG. 7