



US00D429107S

# United States Patent [19] Boothe

[11] Patent Number: **Des. 429,107**

[45] Date of Patent: **\*\* Aug. 8, 2000**

[54] **COMPACT DISK CONTAINER**

[76] Inventor: **Lon Boothe**, 3370 N. Hayden Rd.  
#123168, Scottsdale, Ariz. 85251

[\*\*] Term: **14 Years**

[21] Appl. No.: **29/076,501**

[22] Filed: **Oct. 22, 1997**

[51] **LOC (7) Cl.** ..... **06-04**

[52] **U.S. Cl.** ..... **D6/630; D6/407; D6/457**

[58] **Field of Search** ..... D6/407, 449, 457,  
D6/455, 461, 468, 477-479, 427-635; D14/121;  
D34/28; 312/108, 111, 9.1, 9.9, 9.16, 9.45,  
9.46, 9.48, 9.51, 9.52, 9.53, 9.55, 9.56;  
206/307, 308.1, 387.1, 387.15, 445.454;  
211/40-42, 58, 163

[56] **References Cited**

**U.S. PATENT DOCUMENTS**

D. 181,296	10/1957	Kezeli	.....	D6/457
D. 222,068	9/1971	White	.....	D14/121
D. 227,190	6/1973	McKinsey	.....	D6/631
D. 250,791	1/1979	Mauri	.....	D6/457 X
D. 277,905	3/1985	Barber	.....	D6/629
D. 289,107	4/1987	McAlhany	.....	D6/629
D. 308,129	5/1990	Walden	.....	D6/407 X
D. 323,931	2/1992	Haynes	.....	D3/35
D. 327,996	7/1992	Warfield	.....	D6/457
D. 329,548	9/1992	Wells et al.	.....	D6/407
D. 351,513	10/1994	Kreppein	.....	D6/407
D. 385,744	11/1997	Boothe	.....	D6/630
1,570,651	1/1926	Toppig	.....	211/131.1
3,170,741	2/1965	Richards, Jr.	.....	312/9.46
3,224,655	12/1965	Buchanan et al.	.....	211/40

3,576,340	4/1971	Jones et al.	.....	D6/633 X
3,860,120	1/1975	Victor	.....	211/58
5,031,779	7/1991	Szenay et al.	.....	211/40
5,176,264	1/1993	DePalma	.....	211/40

*Primary Examiner*—Celia Murphy

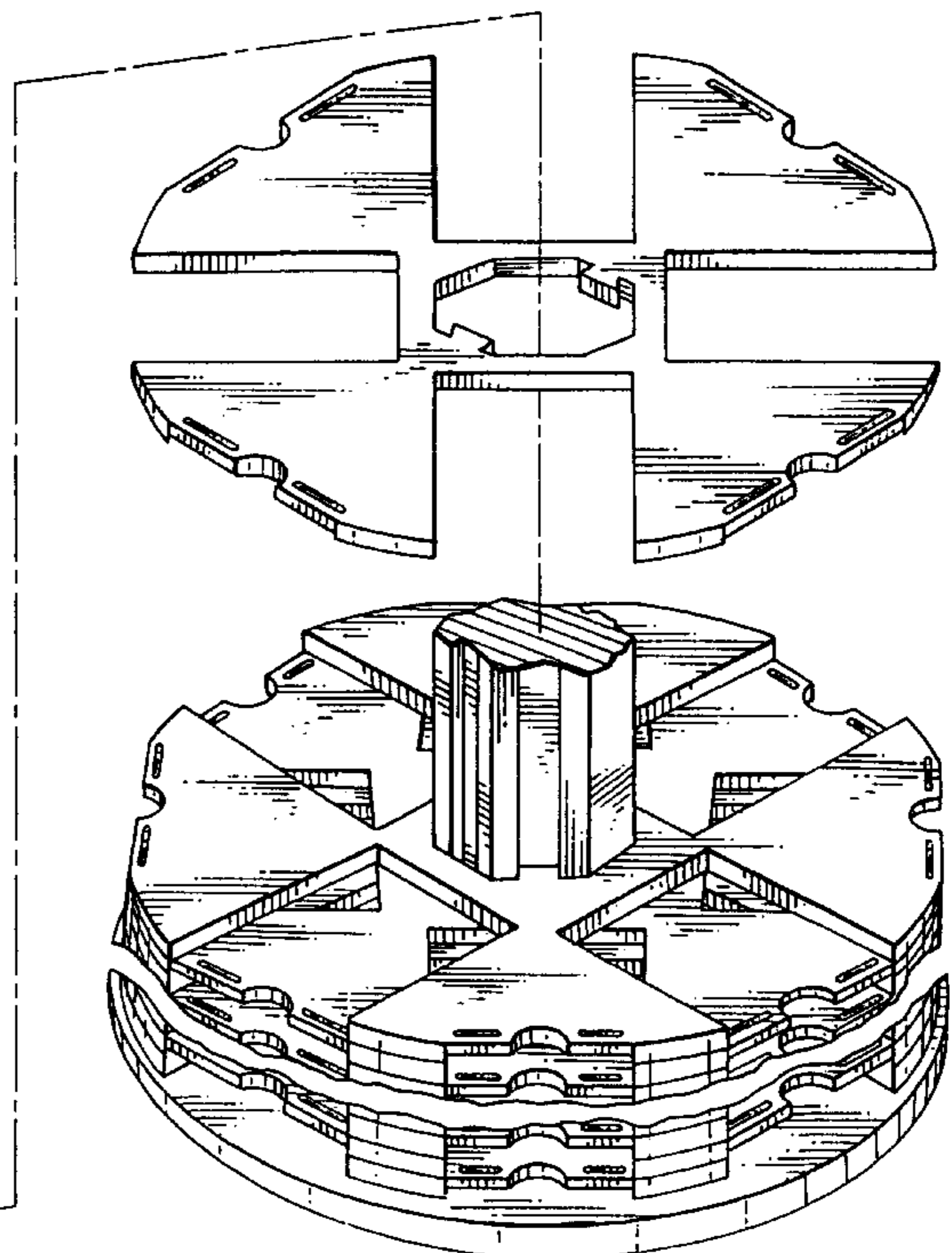
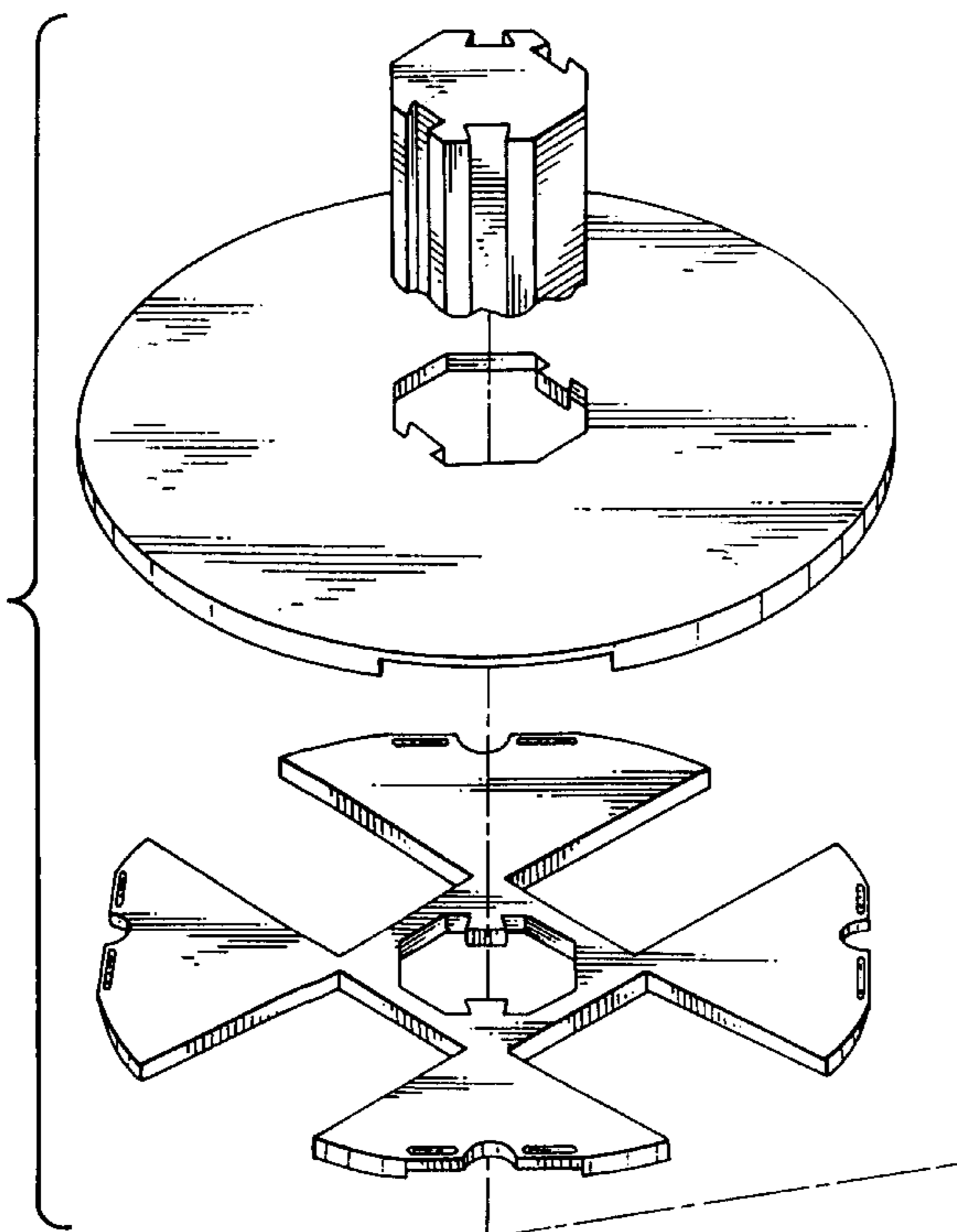
[57] **CLAIM**

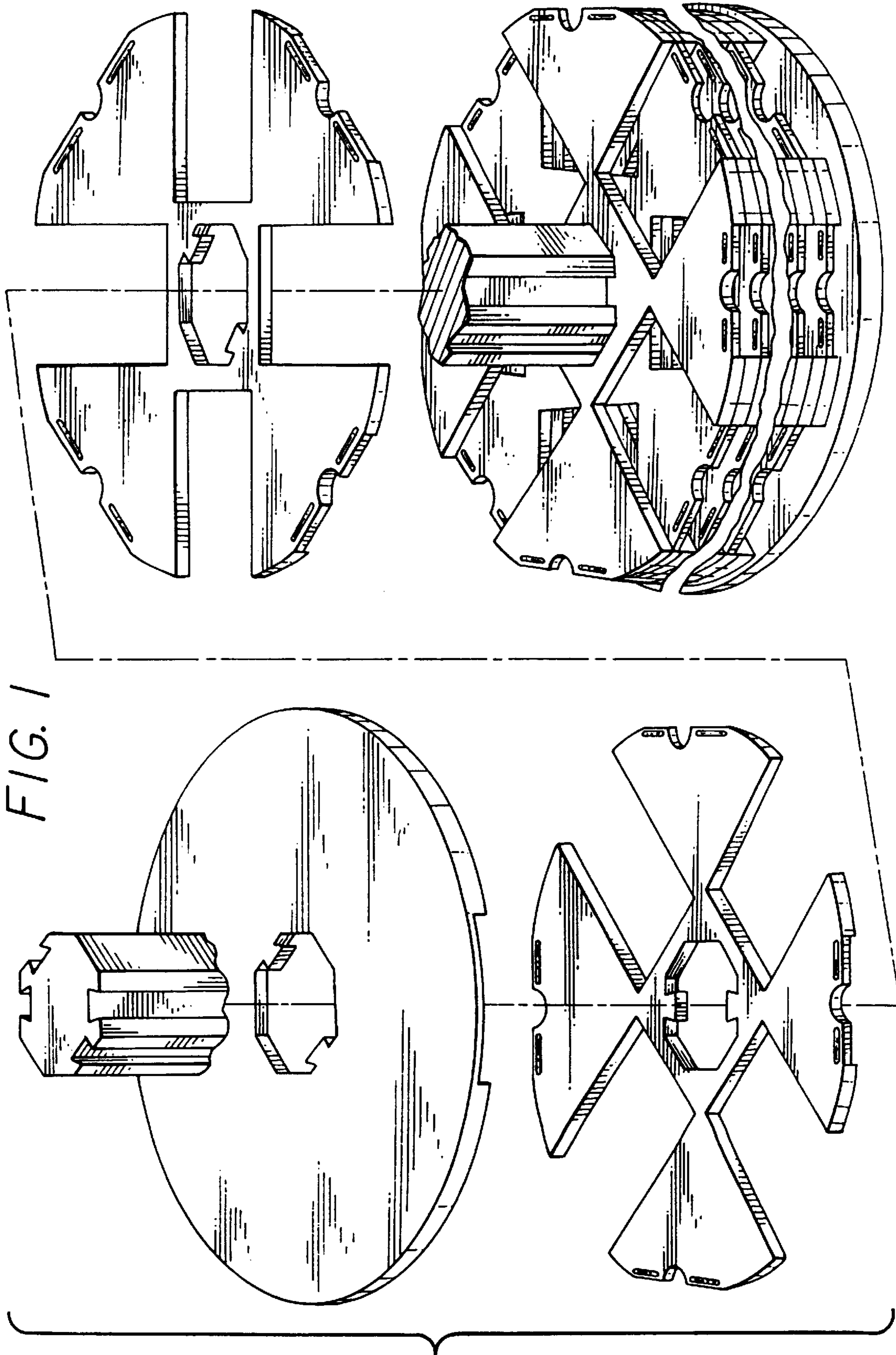
The ornamental design for a compact disk container, as shown.

**DESCRIPTION**

FIG. 1 is a partially exploded view of a compact disk container showing my new design;  
 FIG. 2 is a top plan view of the central stand;  
 FIG. 3 is a bottom plan view of the central stand;  
 FIG. 4 is a front elevational view of the central stand, the stacked plates being removed for convenience of illustration;  
 FIG. 5 is a side elevational view of FIG. 4;  
 FIG. 6 is a top plan view of one of the stacked plates shown removed from the stand for convenience of illustration;  
 FIG. 7 is a bottom plan view of FIG. 6;  
 FIG. 8 is a side elevational view of the single plate shown in FIG. 6;  
 FIG. 9 is a sectional view taken on line 9—9 of FIG. 6;  
 FIG. 10 is a top plan view of one of the lids shown removed from the stand for convenience of illustration;  
 FIG. 11 is a bottom plan view of the lid shown in FIG. 10;  
 FIG. 12 is a side elevational view of the lid shown in FIG. 10; and,  
 FIG. 13 is a sectional view taken on line 13—13 of FIG. 11. The central stand as best seen in FIGS. 1, 4, and 5 is of indeterminate length.

**1 Claim, 3 Drawing Sheets**





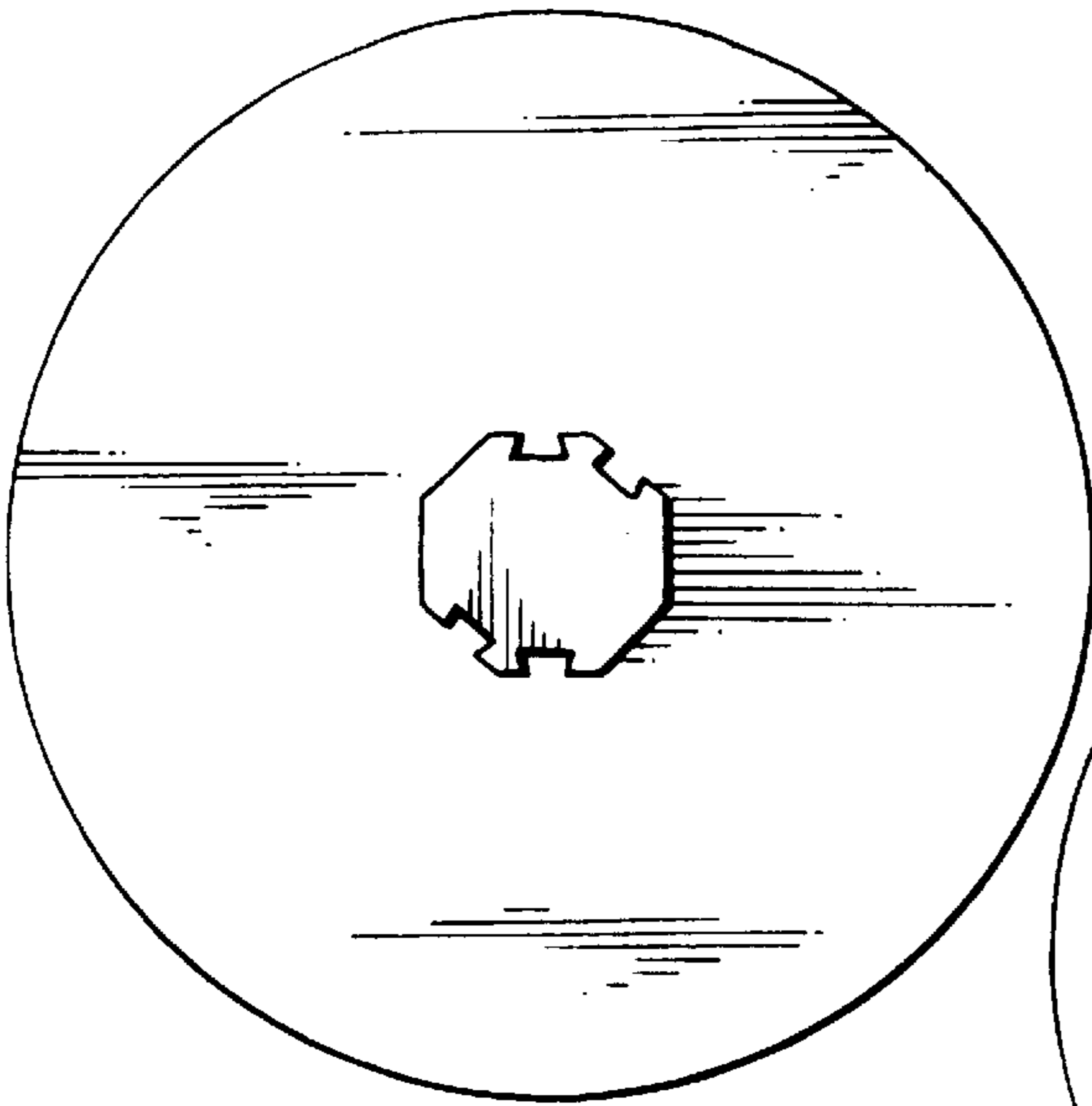


FIG. 2

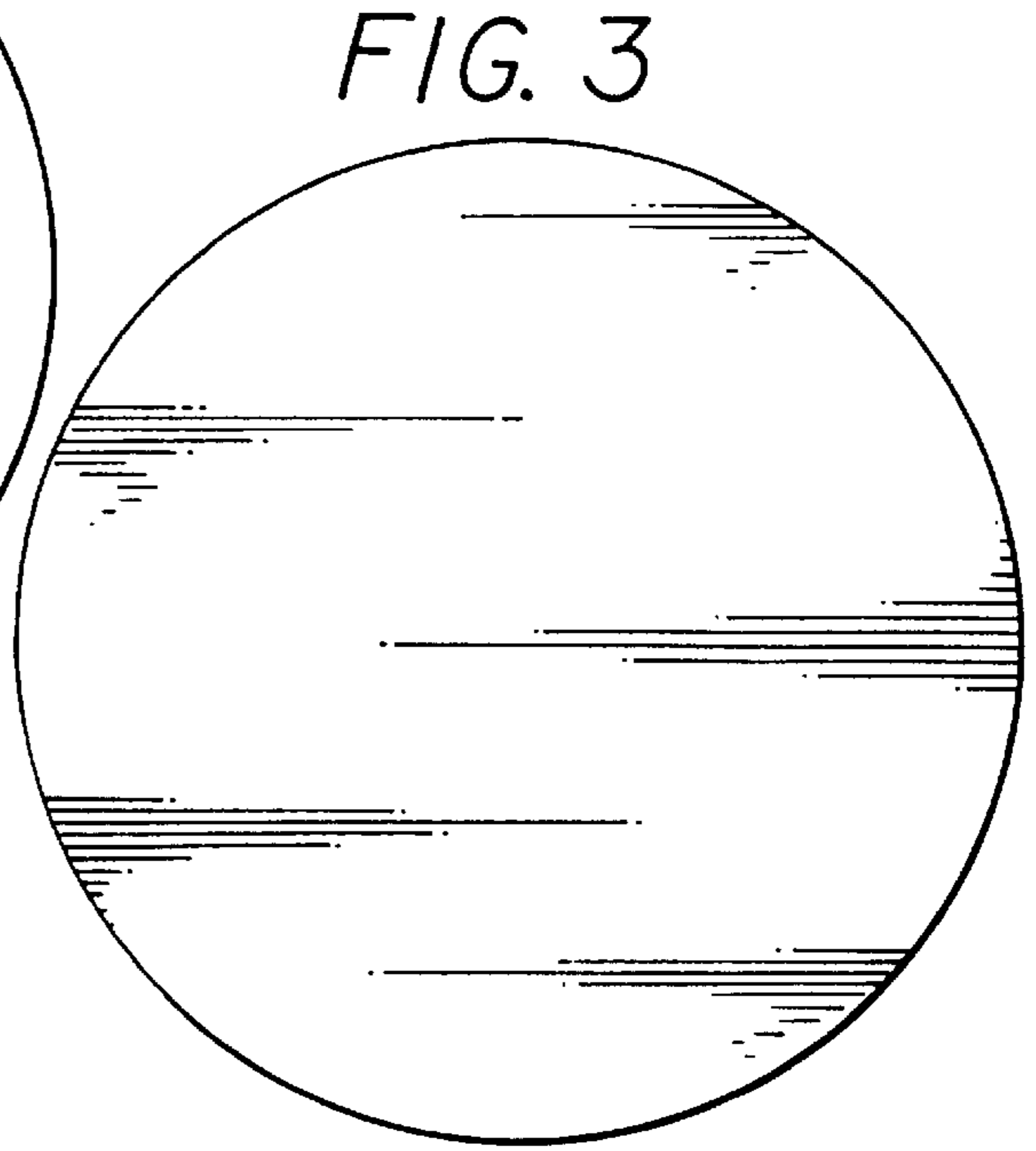


FIG. 3

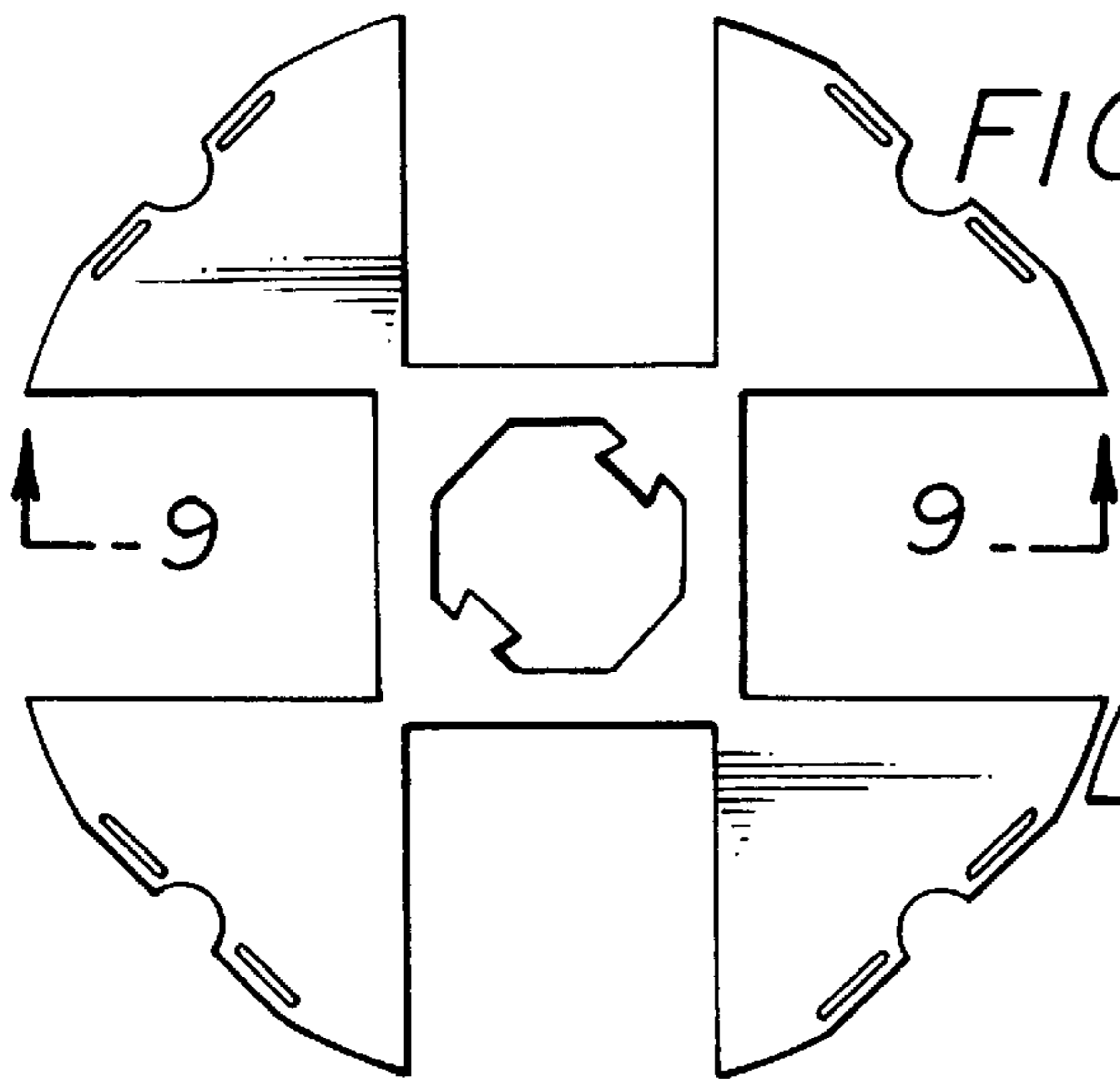


FIG. 6

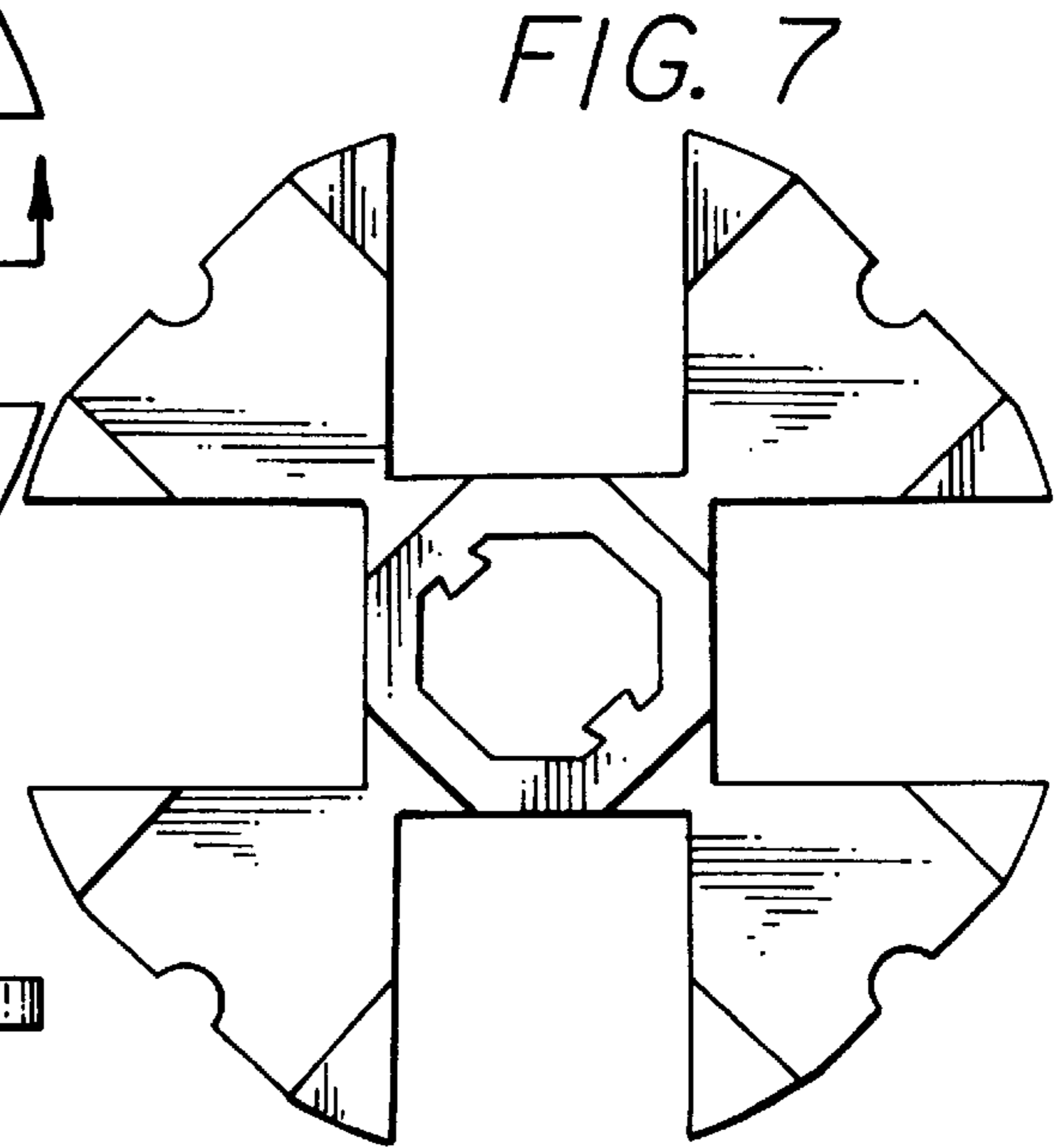


FIG. 7

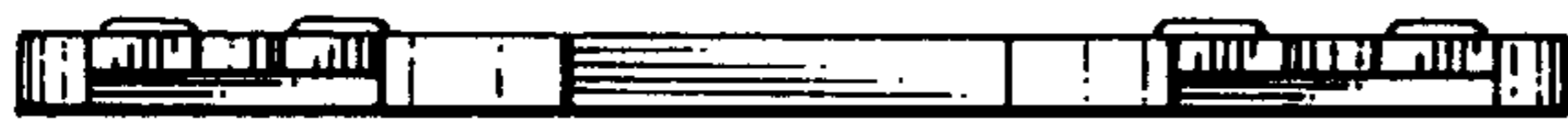


FIG. 8



FIG. 9

