



US00D429103S

United States Patent [19] Minami

[11] **Patent Number: Des. 429,103**

[45] **Date of Patent: ** Aug. 8, 2000**

[54] **DRESSING MIRROR**

D. 238,638 2/1976 Johnson D6/568
D. 267,213 12/1982 Ness D6/568

[75] Inventor: **Nobuyuki Minami**, Osaka, Japan

[73] Assignee: **Oohiro Works, Ltd.**, Japan

[**] Term: **14 Years**

Primary Examiner—Brian N. Vinson
Attorney, Agent, or Firm—Wall Marjama Bilinski & Burr

[21] Appl. No.: **29/107,500**

[22] Filed: **Jul. 7, 1999**

[57] **CLAIM**

The ornamental design for a dressing mirror, as shown and described.

[30] **Foreign Application Priority Data**

Jan. 11, 1999 [JP] Japan 11-503

[51] **LOC (7) Cl.** **06-04**

[52] **U.S. Cl.** **D6/568**

[58] **Field of Search** D6/553, 567, 568,
D6/300, 310; 211/86, 87, 88, 90, 134; 312/245

DESCRIPTION

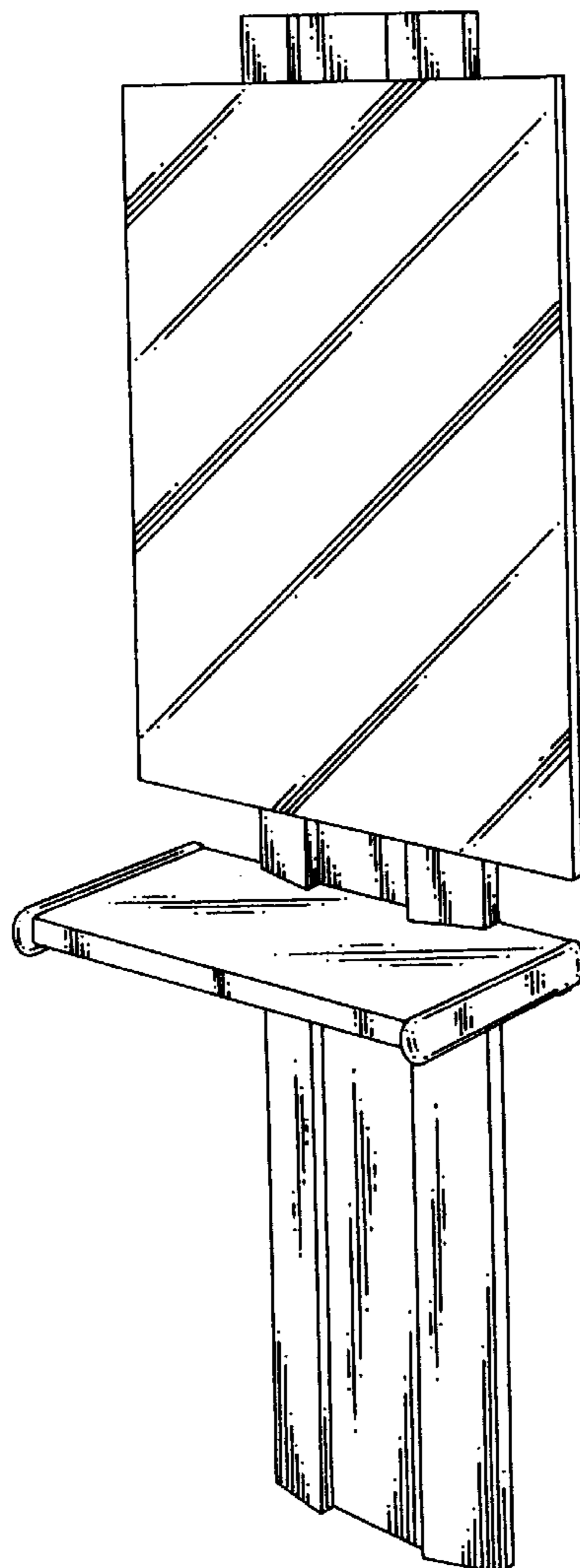
FIG. 1 is a front view of the dressing mirror in accordance with my new design;
FIG. 2 is a back view thereof;
FIG. 3 is a right side view thereof, the left side view being a mirror image thereof;
FIG. 4 is an A—A line sectional view thereof;
FIG. 5 is a top view thereof;
FIG. 6 is a bottom view thereof; and,
FIG. 7 is a perspective view thereof.

[56] **References Cited**

U.S. PATENT DOCUMENTS

D. 167,517 8/1952 Kopko D6/568

1 Claim, 3 Drawing Sheets



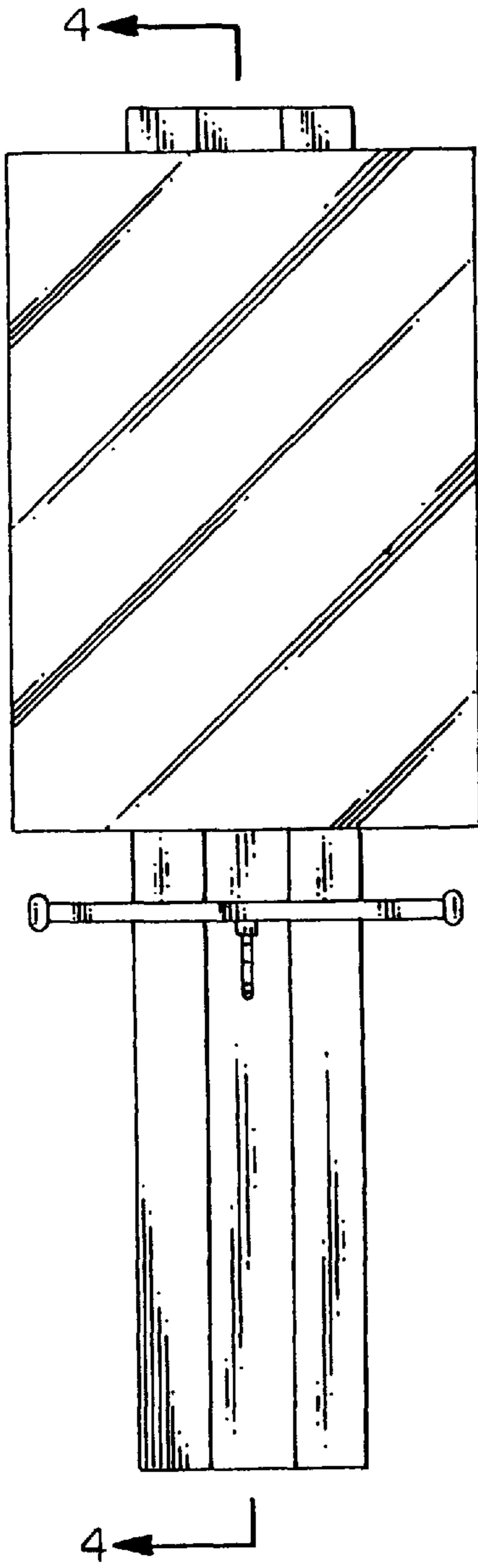


FIG. 1

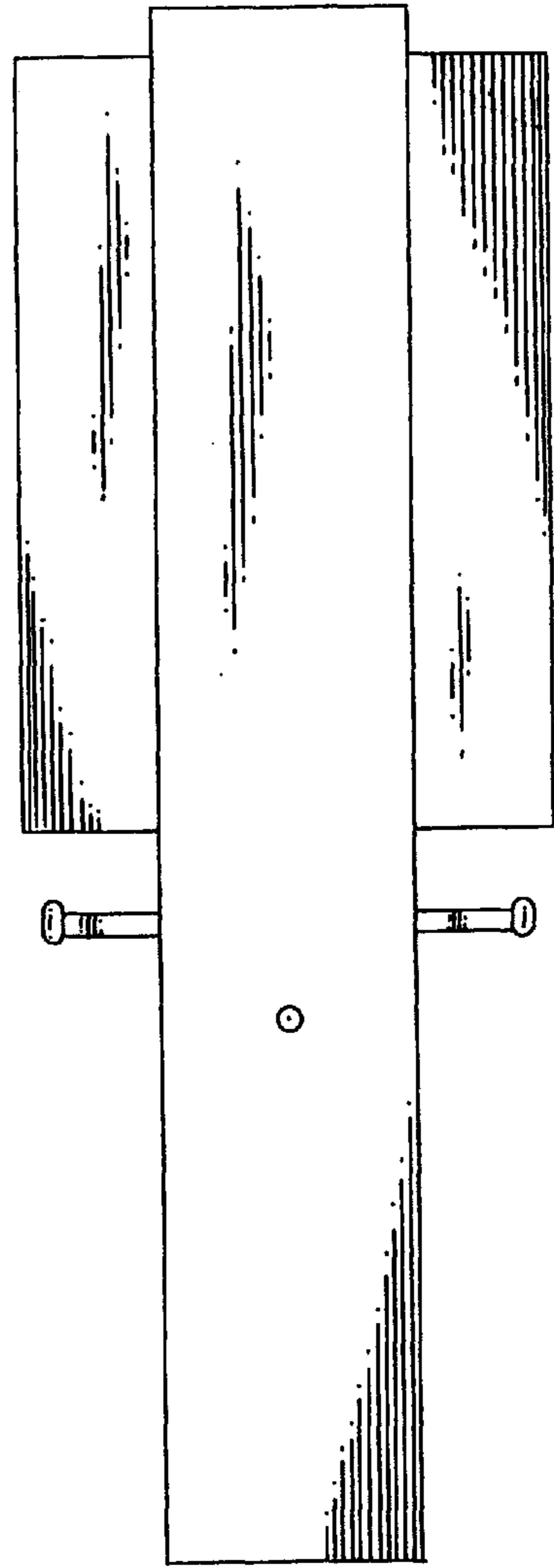


FIG. 2

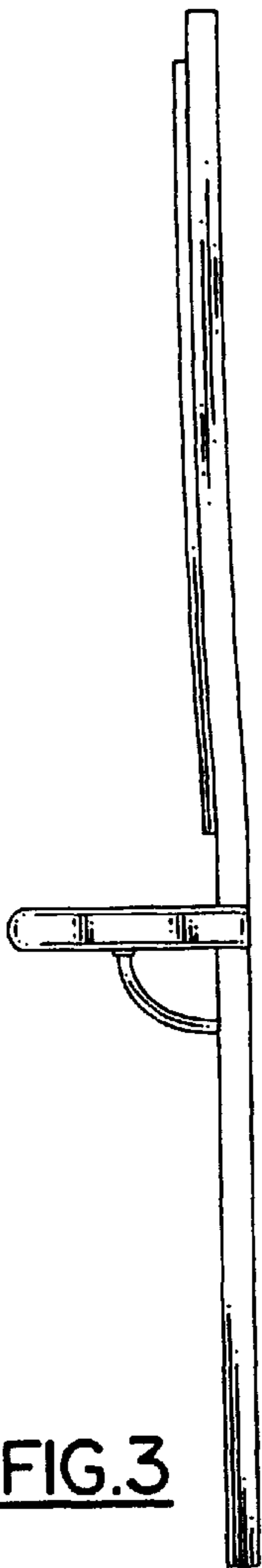


FIG. 3

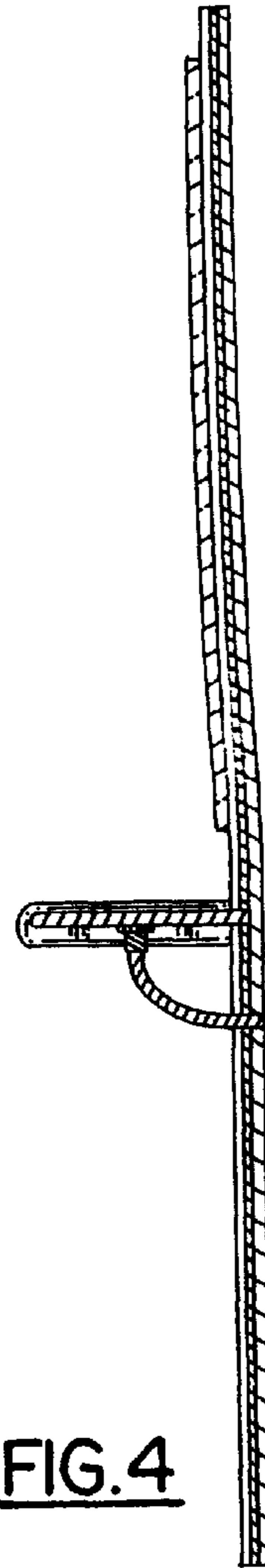


FIG. 4

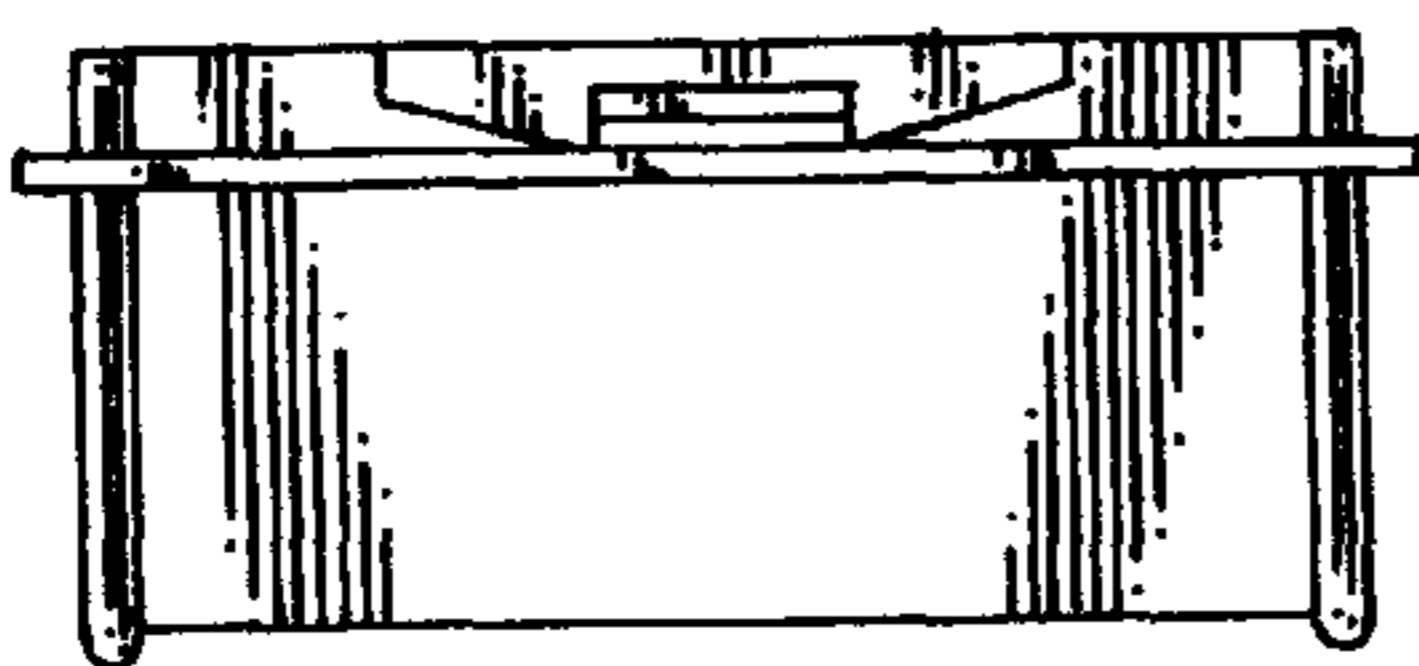


FIG. 5

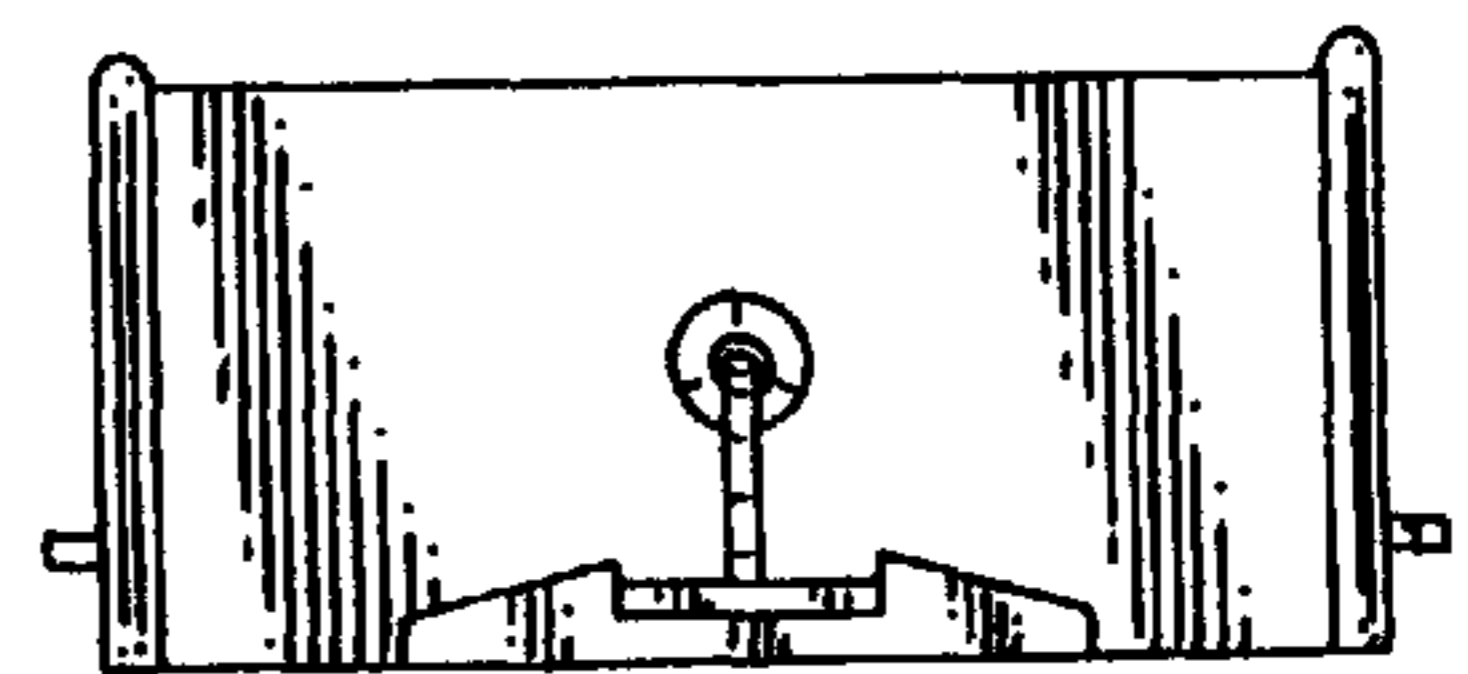


FIG. 6

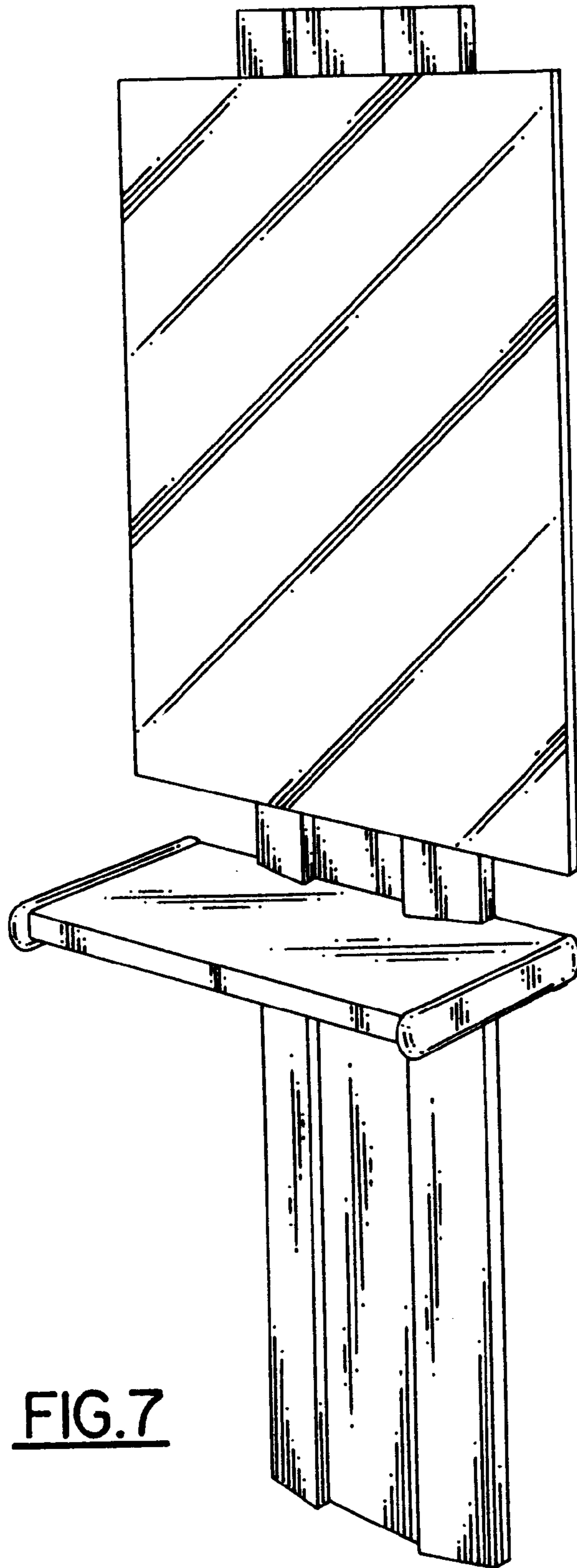


FIG. 7