



US00D429102S

United States Patent [19]

[11] Patent Number: Des. 429,102

Patel et al.

[45] Date of Patent: ** Aug. 8, 2000

[54] WIRE SOAP DISH

DESCRIPTION

[75] Inventors: **Shailesh Patel**, Glenview; **Lawrence Hauser**, Chicago, both of Ill.

FIG. 1 is a perspective view of a wire soap dish showing our new design, the suction cups shown in phantom lines not forming part of the invention;

[73] Assignee: **Home Products International, Inc.**, Chicago, Ill.

FIG. 2 is a top plan view thereof;

[**] Term: **14 Years**

FIG. 3 is a bottom plan view thereof;

[21] Appl. No.: **29/118,020**

FIG. 4 is a front elevational view thereof;

[22] Filed: **Feb. 2, 2000**

FIG. 5 is a right side elevational view thereof;

[51] LOC (7) Cl. **23-02**

FIG. 6 is a rear elevational view thereof;

[52] U.S. Cl. **D6/537; D6/540**

FIG. 7 is a left side elevational view thereof.

[58] Field of Search D6/536, 537, 540,
D6/532, 529; 206/77.1; 211/13.1, 181.1;
248/309.1

FIG. 8 is a perspective view of an alternative embodiment of a soap dish showing our new design;

FIG. 9 is a top plan view of the embodiment as shown in FIG. 8;

[56] References Cited

FIG. 10 is a bottom plan view of the embodiment as shown in FIG. 8;

U.S. PATENT DOCUMENTS

D. 68,538	10/1925	Moneau	D6/537
D. 121,813	8/1940	Isenberg	D6/536
D. 327,596	7/1992	Emery	D6/540
D. 360,093	7/1995	Bigwood	D6/536
5,232,189	8/1993	Koch	248/309.1

FIG. 11 is a front elevational view of the embodiment as shown in FIG. 8;

FIG. 12 is a right side elevational view of the embodiment as shown in FIG. 8;

Primary Examiner—Brian N. Vinson
Attorney, Agent, or Firm—Rockey, Milnamow & Katz, Ltd.

FIG. 13 is a rear elevational view of the embodiment as shown in FIG. 8; and,

FIG. 14 is a left side elevational view of the embodiment as shown in FIG. 8.

[57] CLAIM

The ornamental design for a wire soap dish, as shown and described.

1 Claim, 5 Drawing Sheets

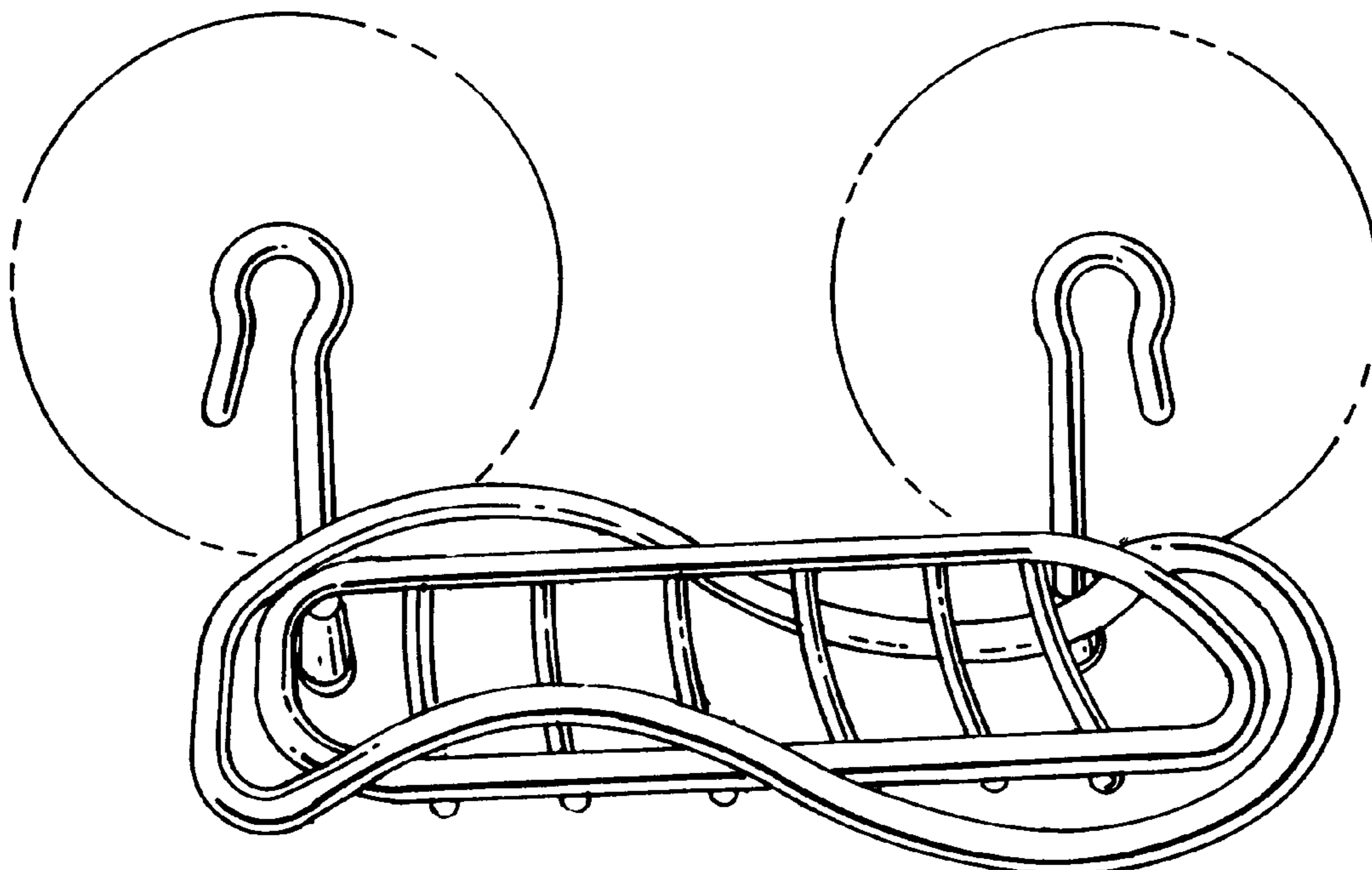


FIG. 1

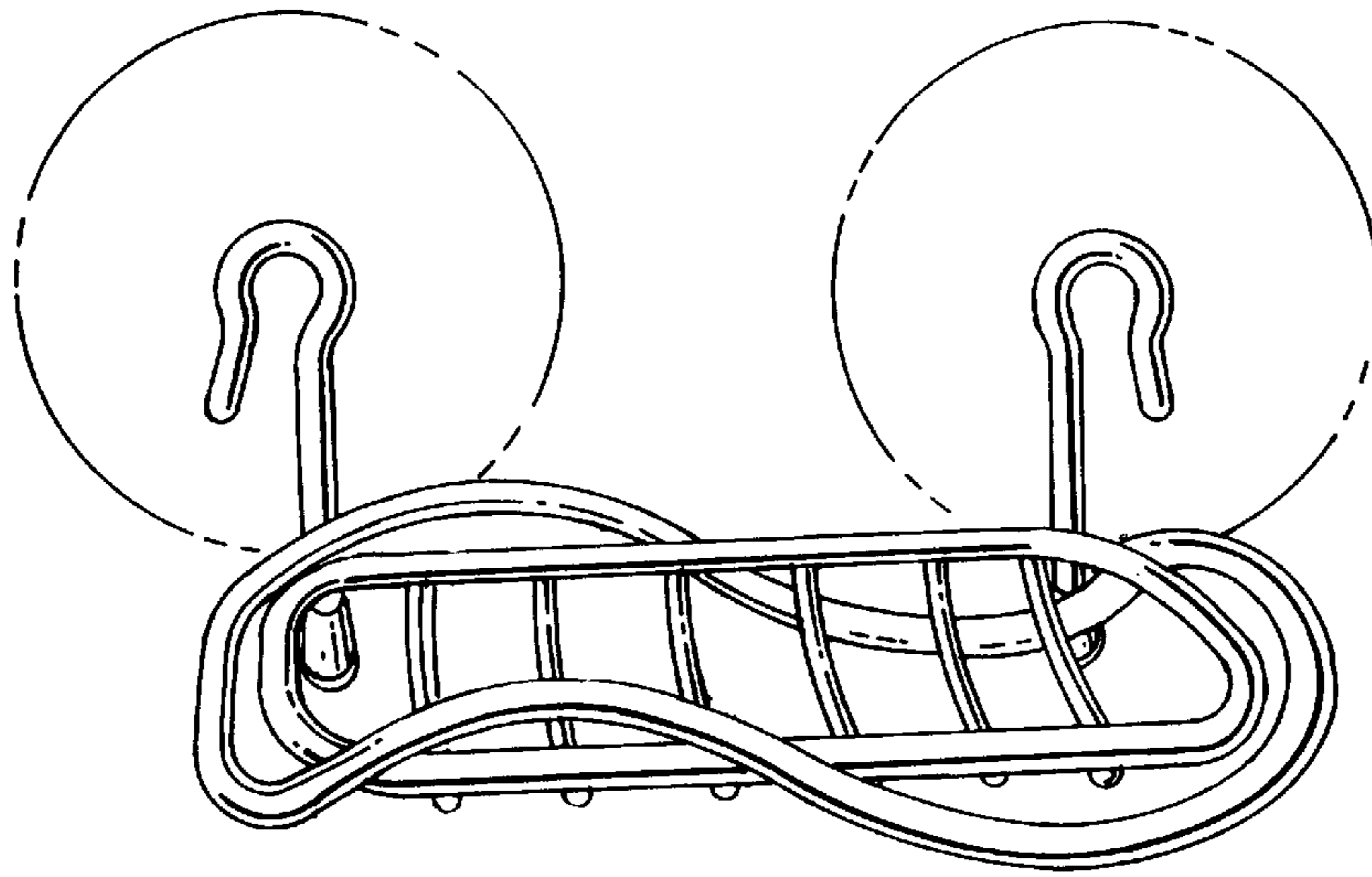


FIG. 2

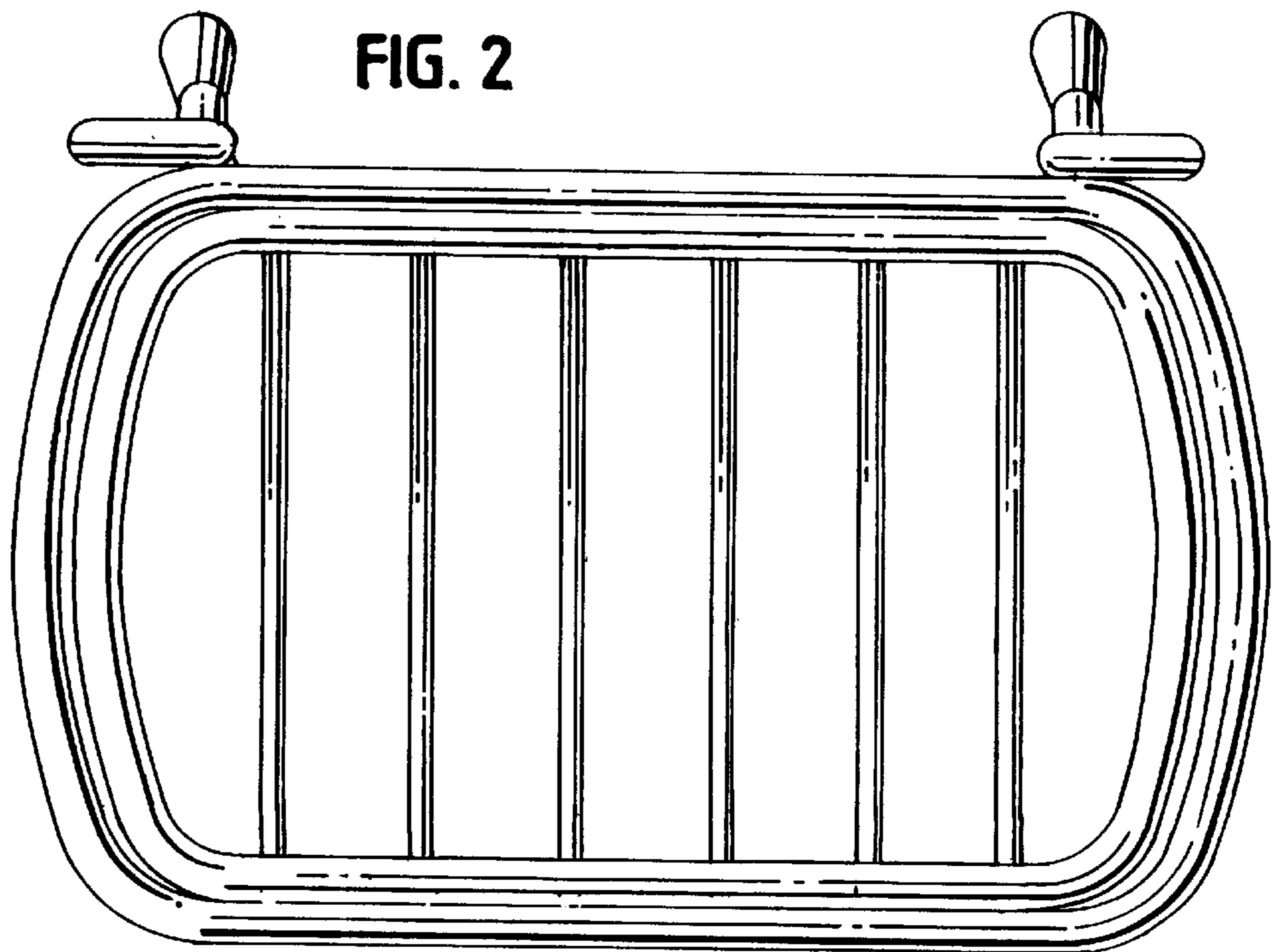


FIG. 3

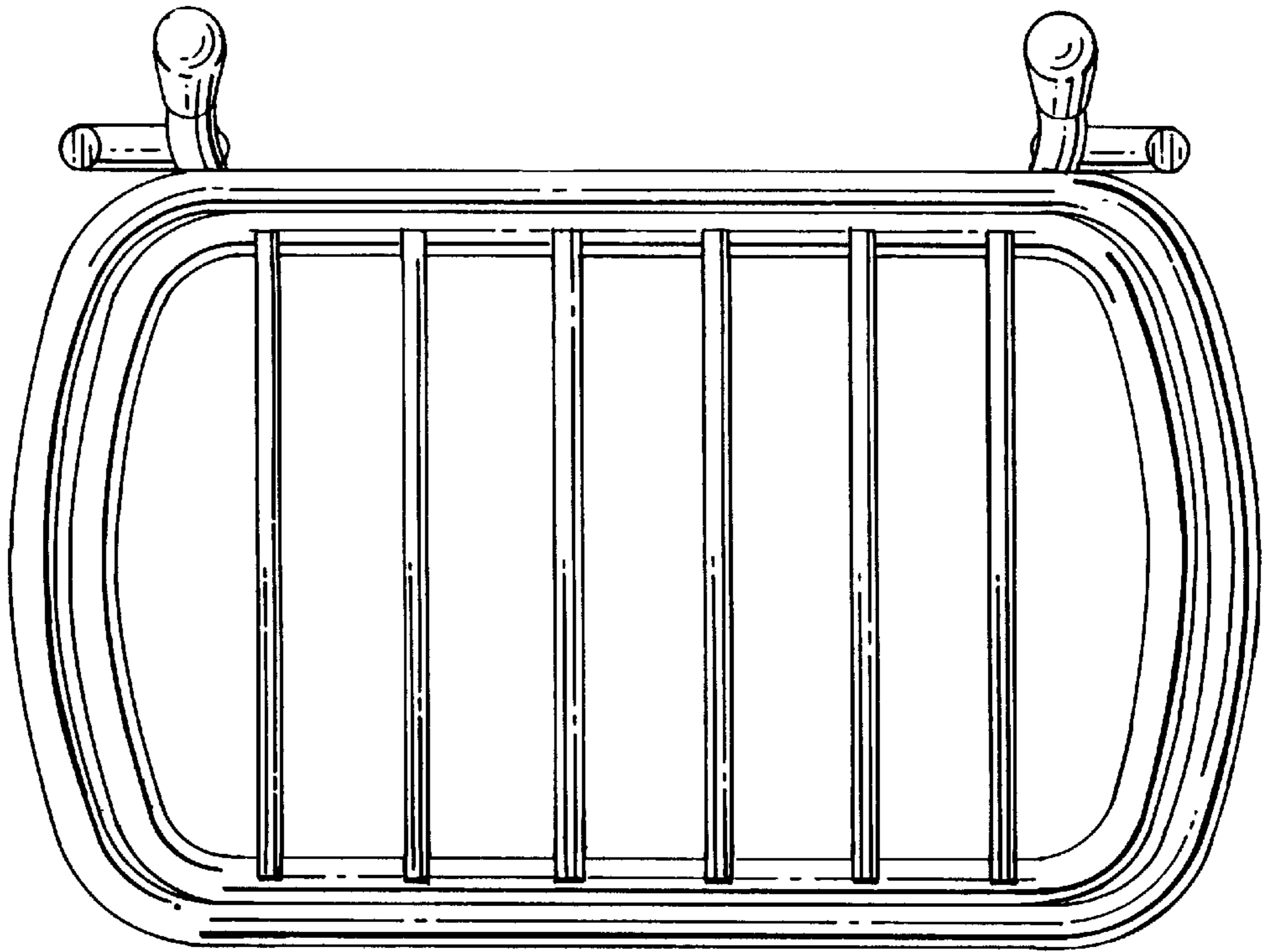


FIG. 4

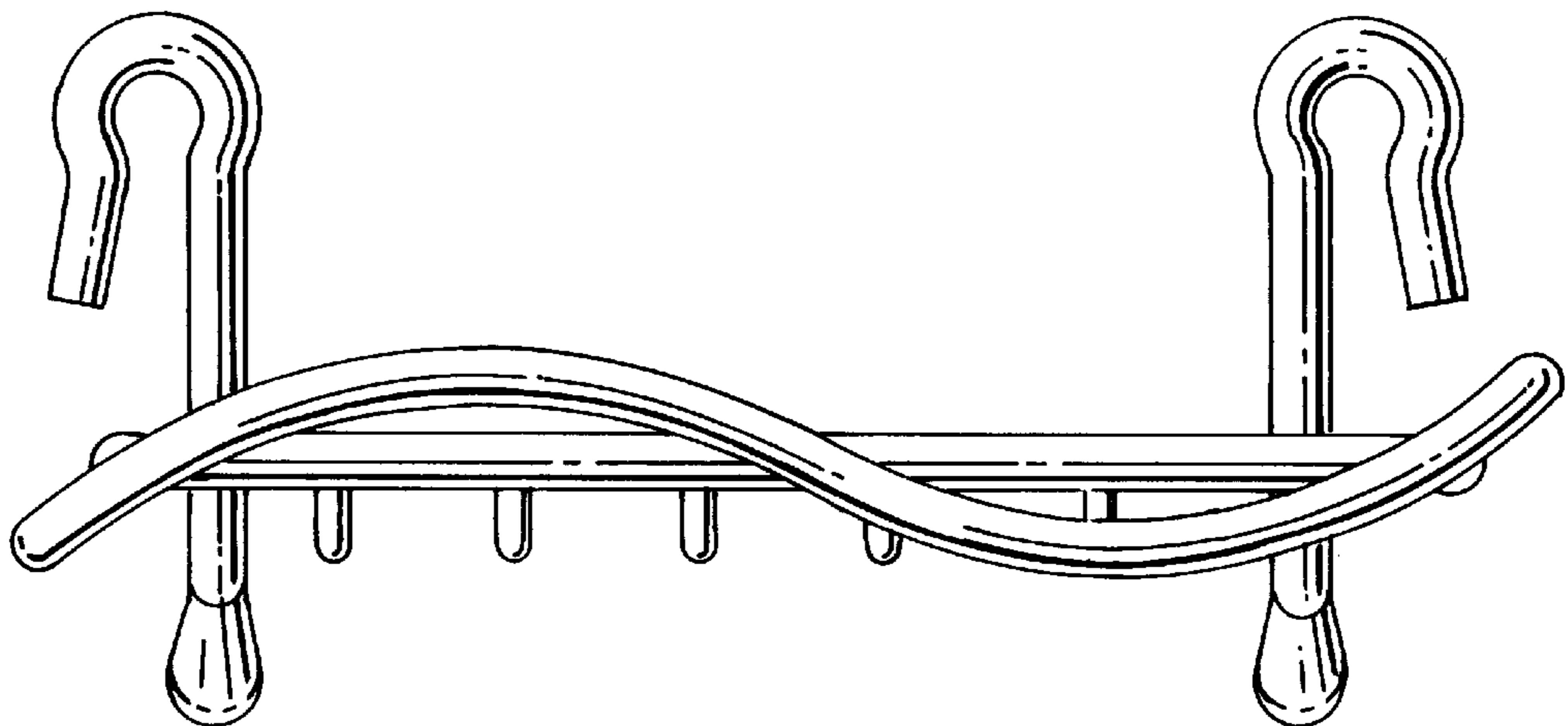


FIG. 5

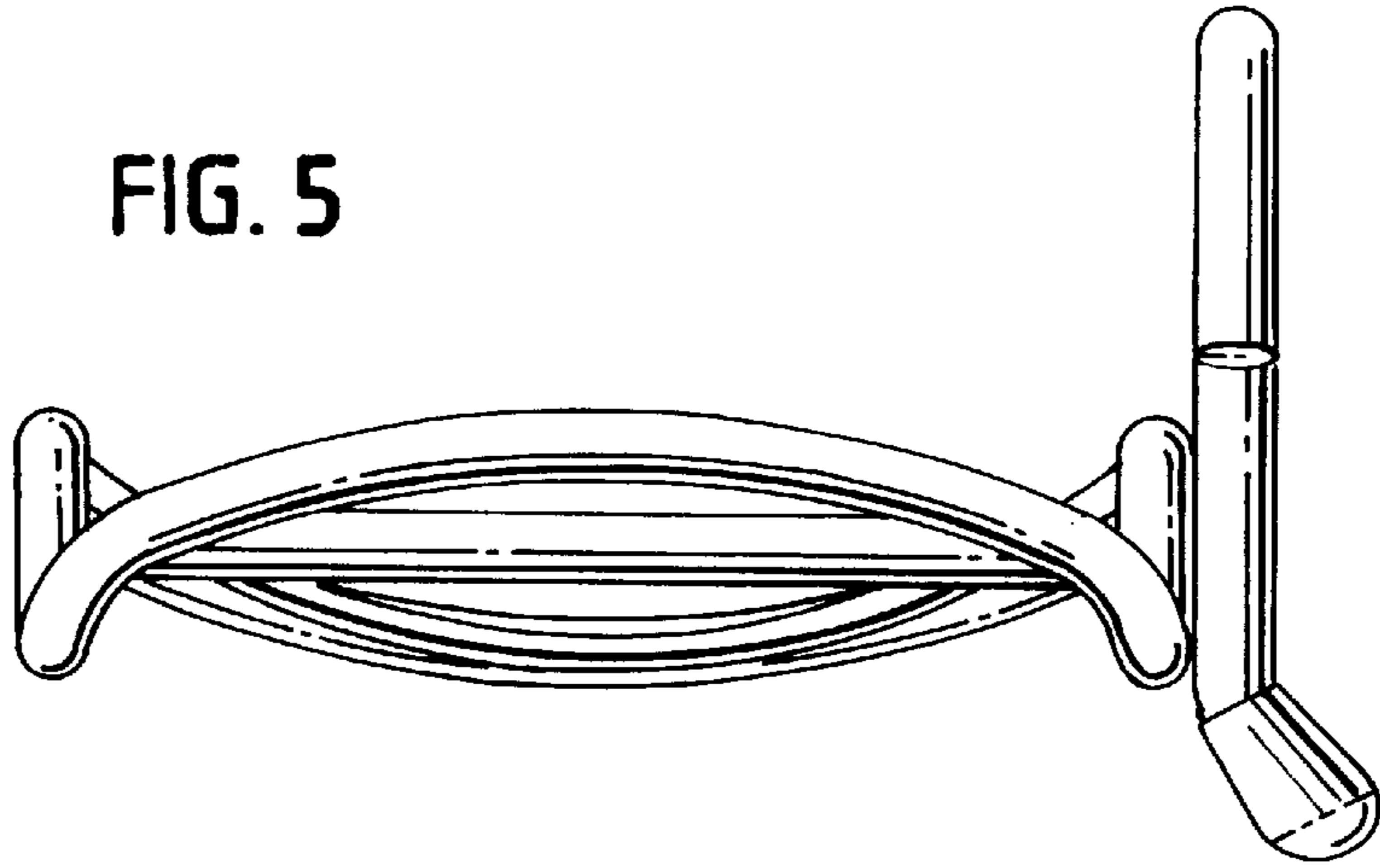


FIG. 6

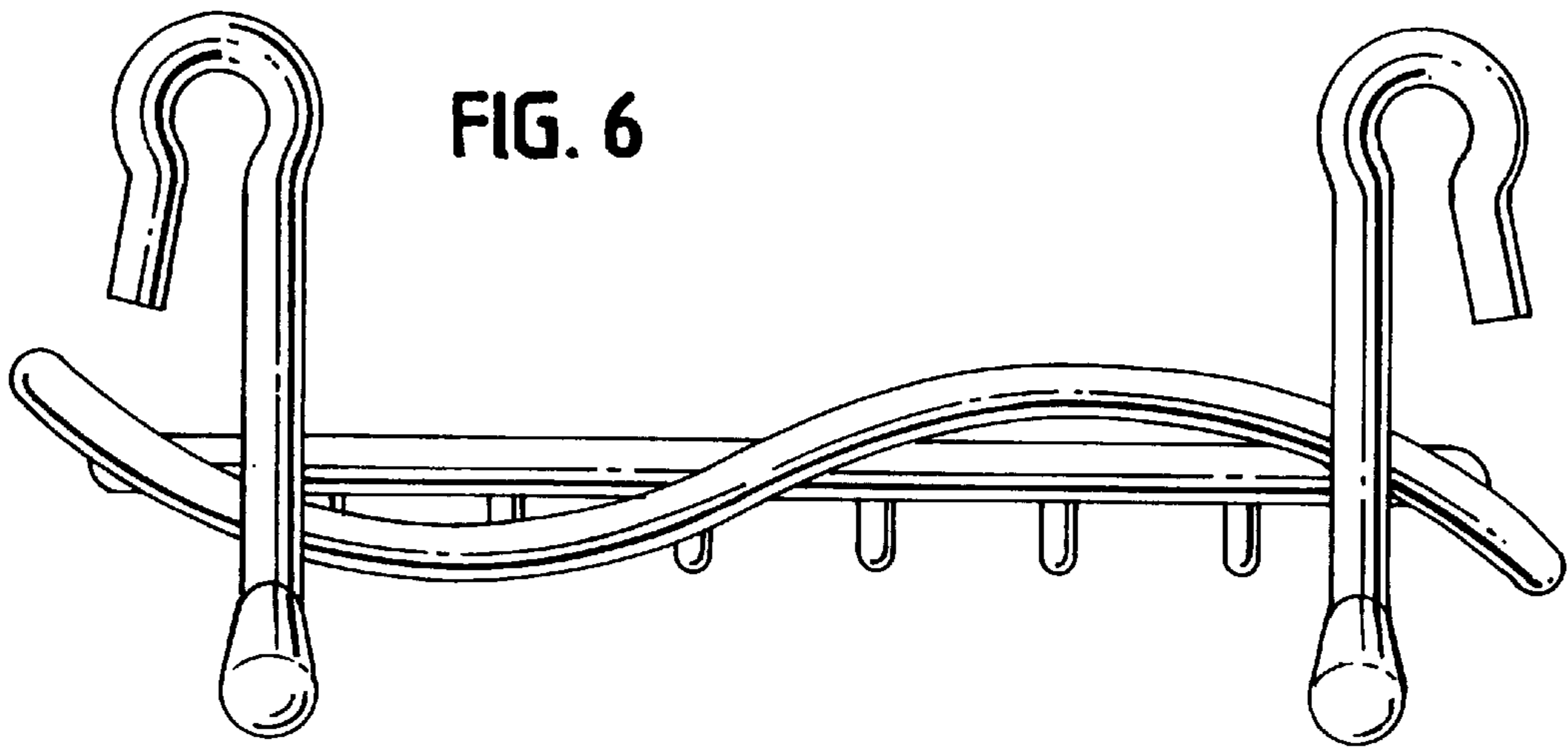


FIG. 7

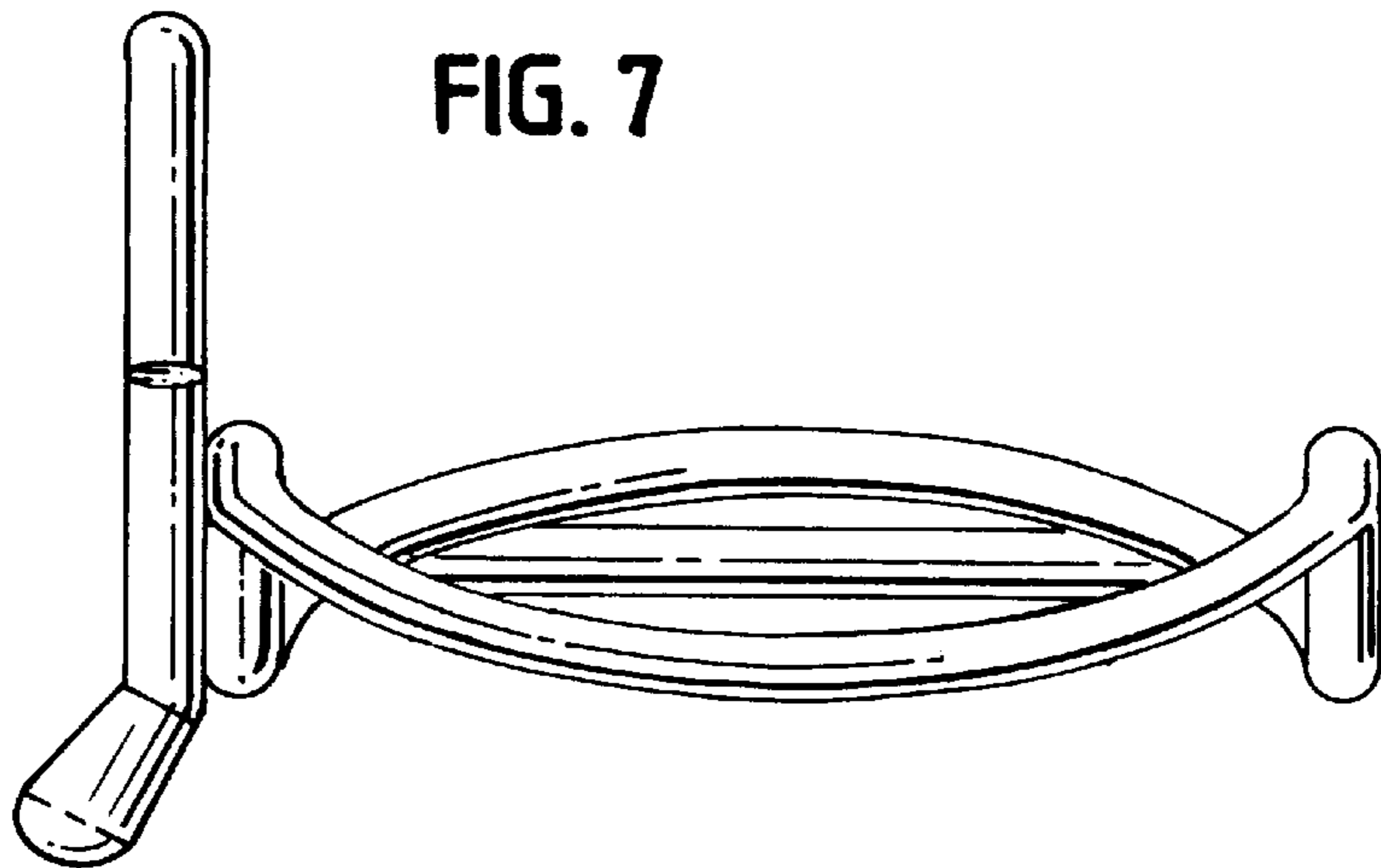


FIG. 8

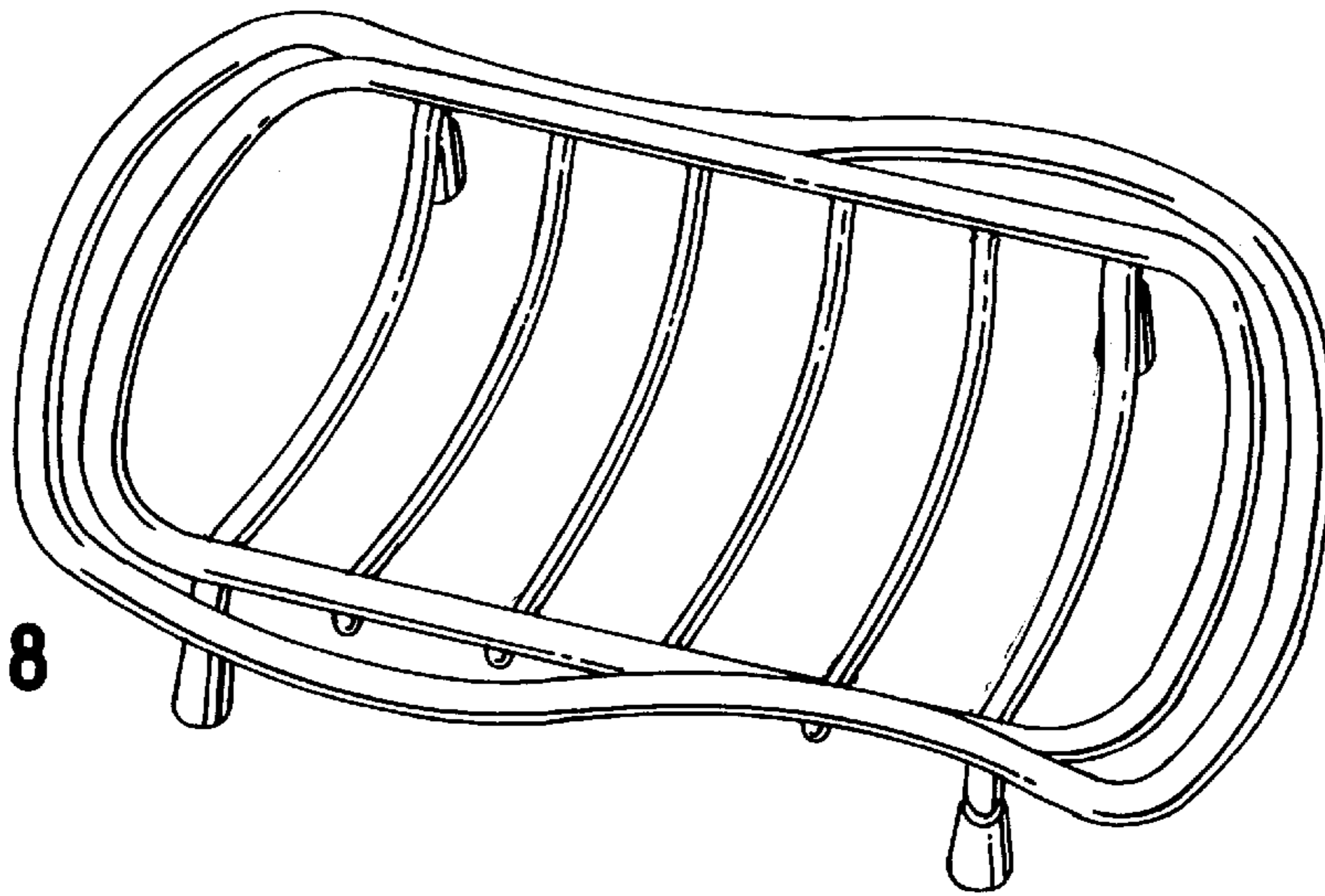


FIG. 9

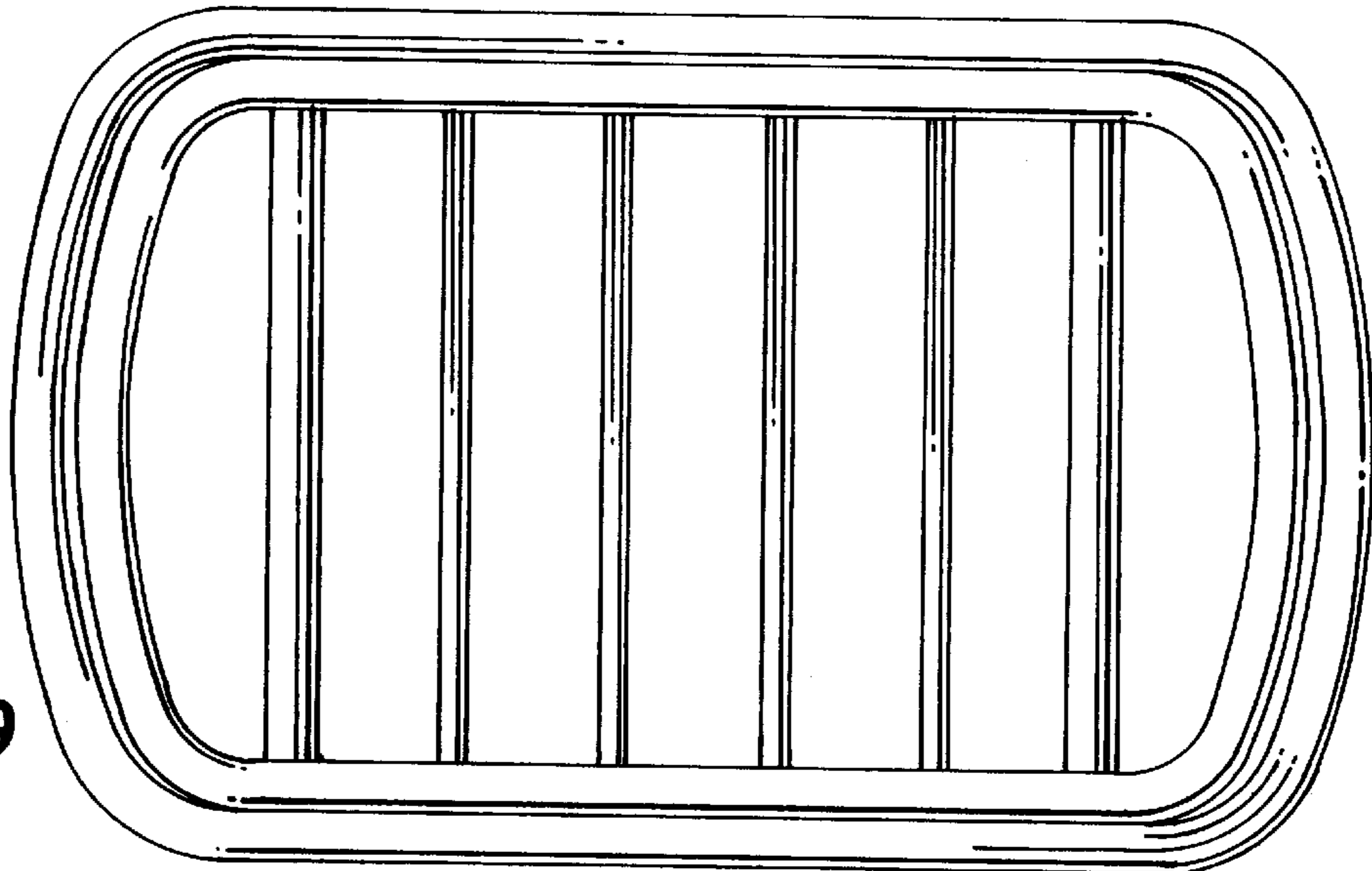


FIG. 10

