



US00D429100S

# United States Patent [19] Cain

[11] **Patent Number: Des. 429,100**

[45] **Date of Patent: \*\* Aug. 8, 2000**

[54] **HEADBOARD**

[75] Inventor: **Charles C. Cain**, High Point, N.C.

[73] Assignee: **Thomasville Furniture Industries, Inc.**, Thomasville, N.C.

[\*\*] Term: **14 Years**

[21] Appl. No.: **29/116,289**

[22] Filed: **Dec. 29, 1999**

[51] **LOC (7) Cl.** ..... **06-06**

[52] **U.S. Cl.** ..... **D6/505**

[58] **Field of Search** ..... D6/382-385, 389-395,  
D6/505-508; 5/113, 121, 414, 53.1, 280,  
281, 907

[56] **References Cited**

**U.S. PATENT DOCUMENTS**

- D. 364,511 11/1995 Berry, Jr. et al. .... D6/393
- D. 388,972 1/1998 Almborg et al. .... D6/390
- D. 391,413 3/1998 Blaay ..... D6/393

**OTHER PUBLICATIONS**

Bed, Stickley Mission Oak and Mission Cherry Supplement Catalog, L. & J. G. Stickley, Inc., p. 11, believed to be prior art.

*Primary Examiner*—Janice E. Seeger  
*Attorney, Agent, or Firm*—Rhodes & Mason, P.L.L.C.

[57] **CLAIM**

The ornamental design for a headboard, as shown and described.

**DESCRIPTION**

FIG. 1 is a right front perspective view of a headboard showing my new design;

FIG. 2 is a side elevational view, the opposite side being a mirror image thereof;

FIG. 3 is a front elevational view thereof;

FIG. 4 is a top view thereof;

FIG. 5 is a right front perspective view of the headboard showing a second embodiment;

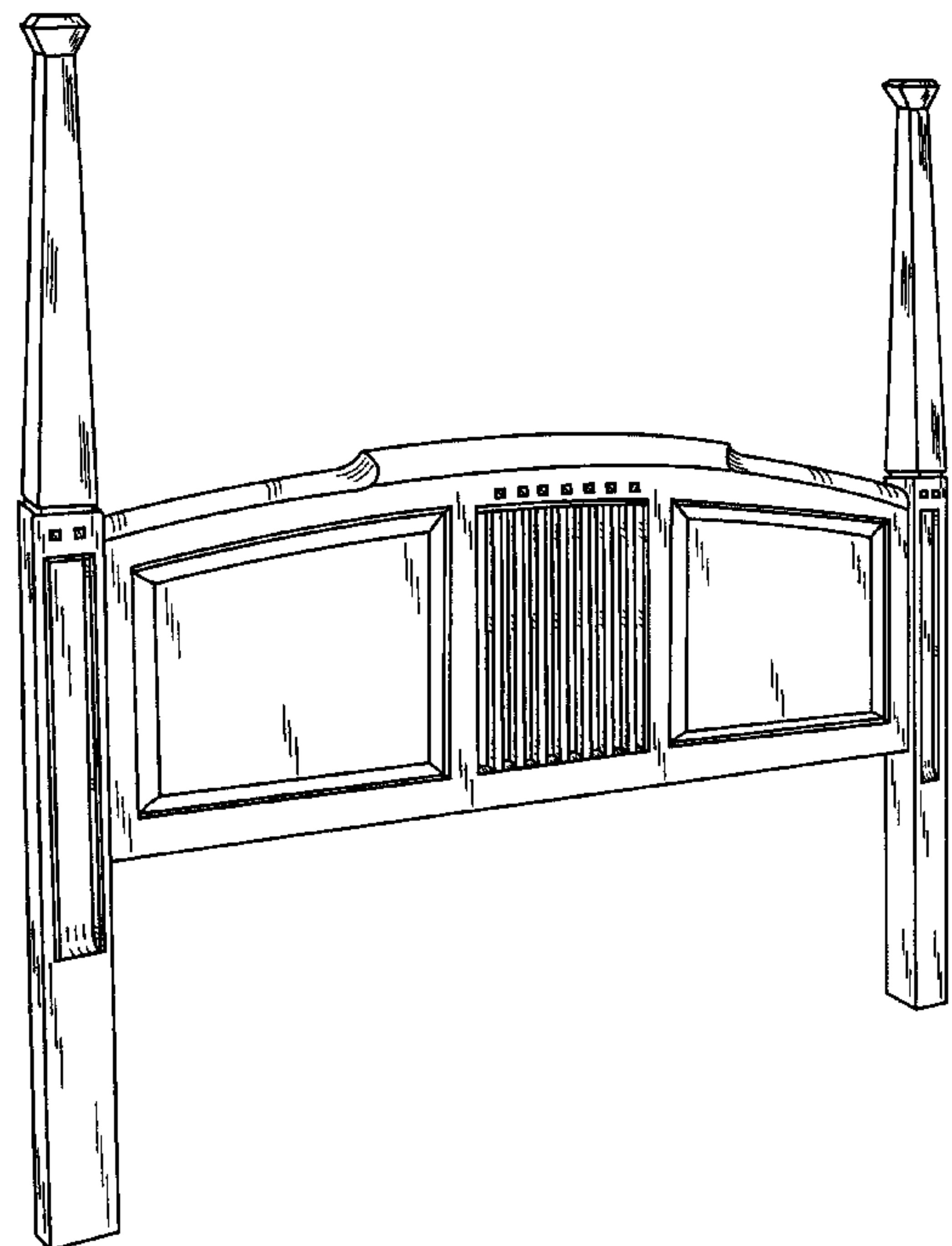
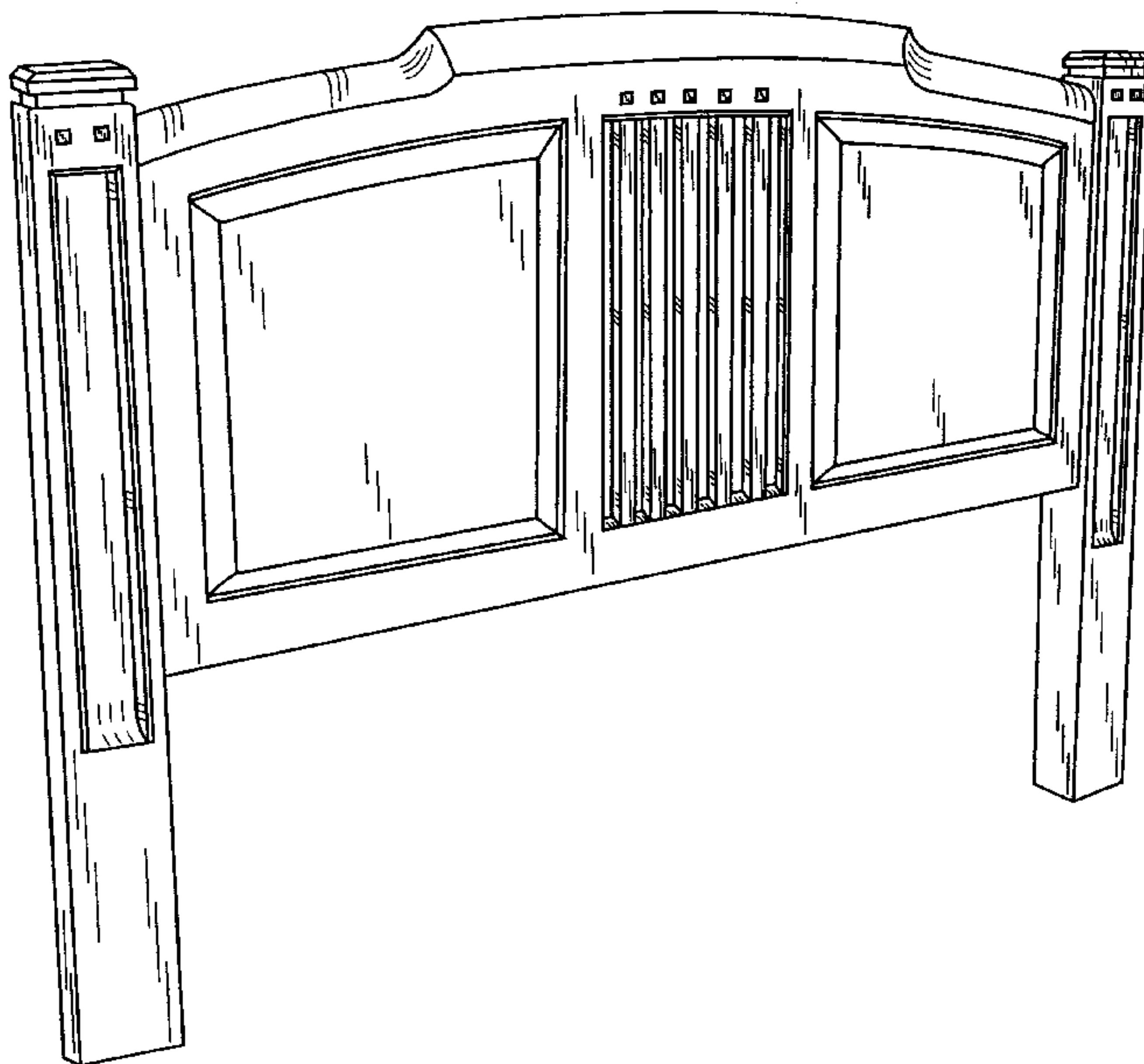
FIG. 6 is a side view of the headboard showing a second embodiment, the opposite side being a mirror image thereof;

FIG. 7 is a front elevational view of the headboard showing a second embodiment; and,

FIG. 8 is a top plan view of the headboard showing a second embodiment.

The rear and bottom view of the headboard are not shown and form no part of the claimed design.

**1 Claim, 4 Drawing Sheets**



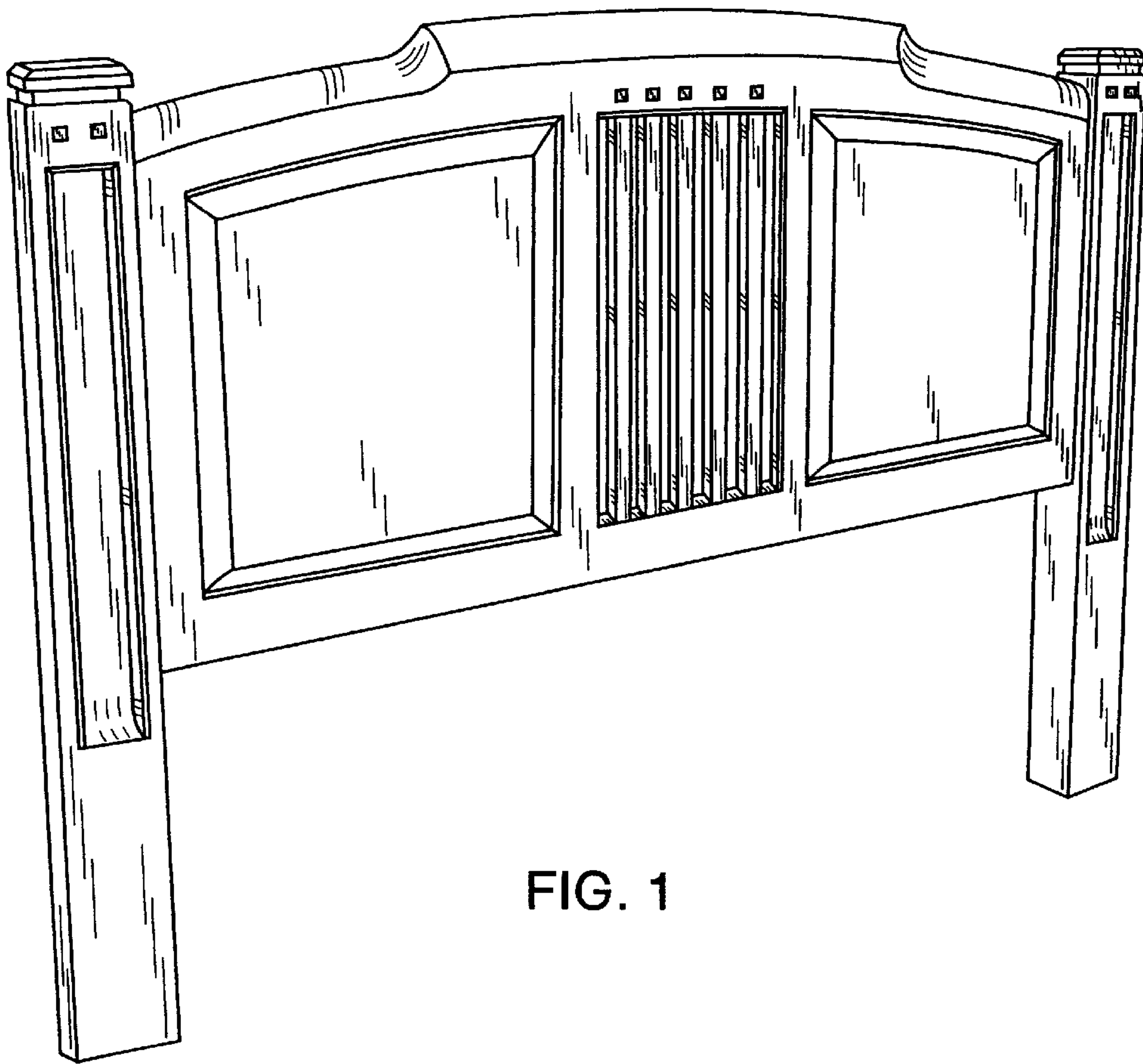


FIG. 1

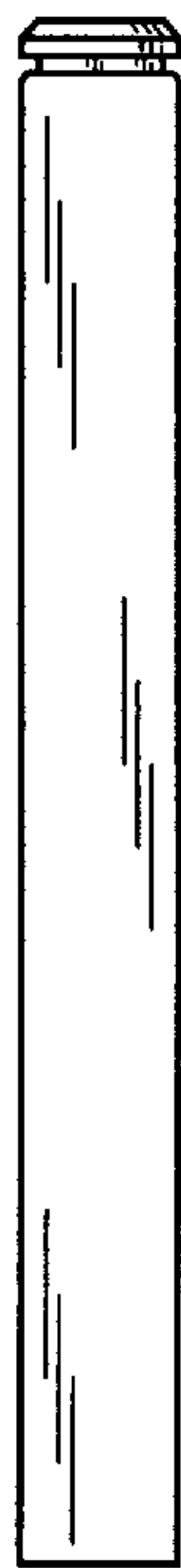


FIG. 2

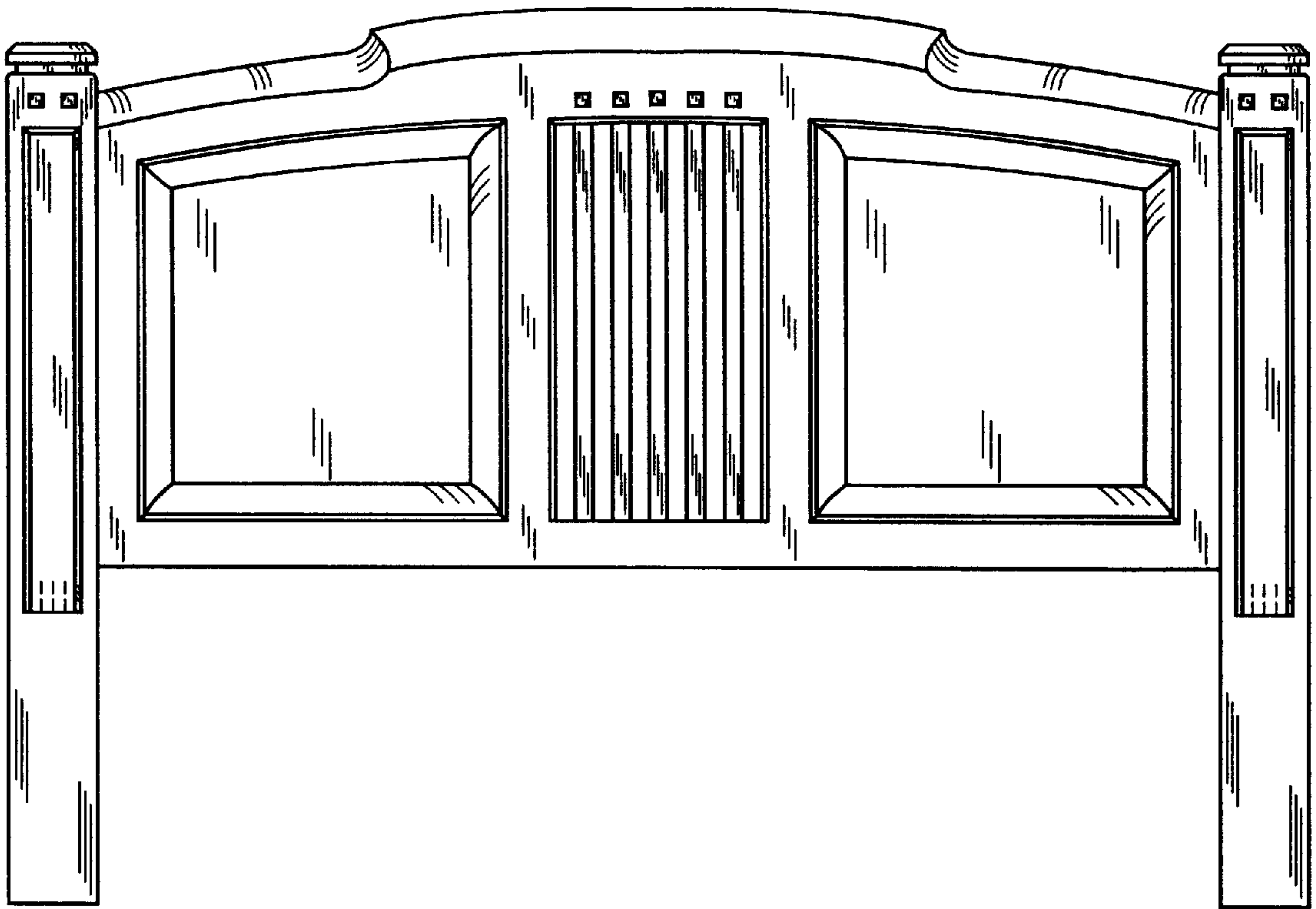


FIG. 3

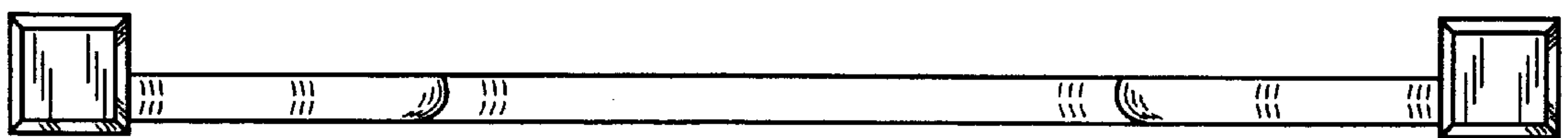


FIG. 4



FIG. 6

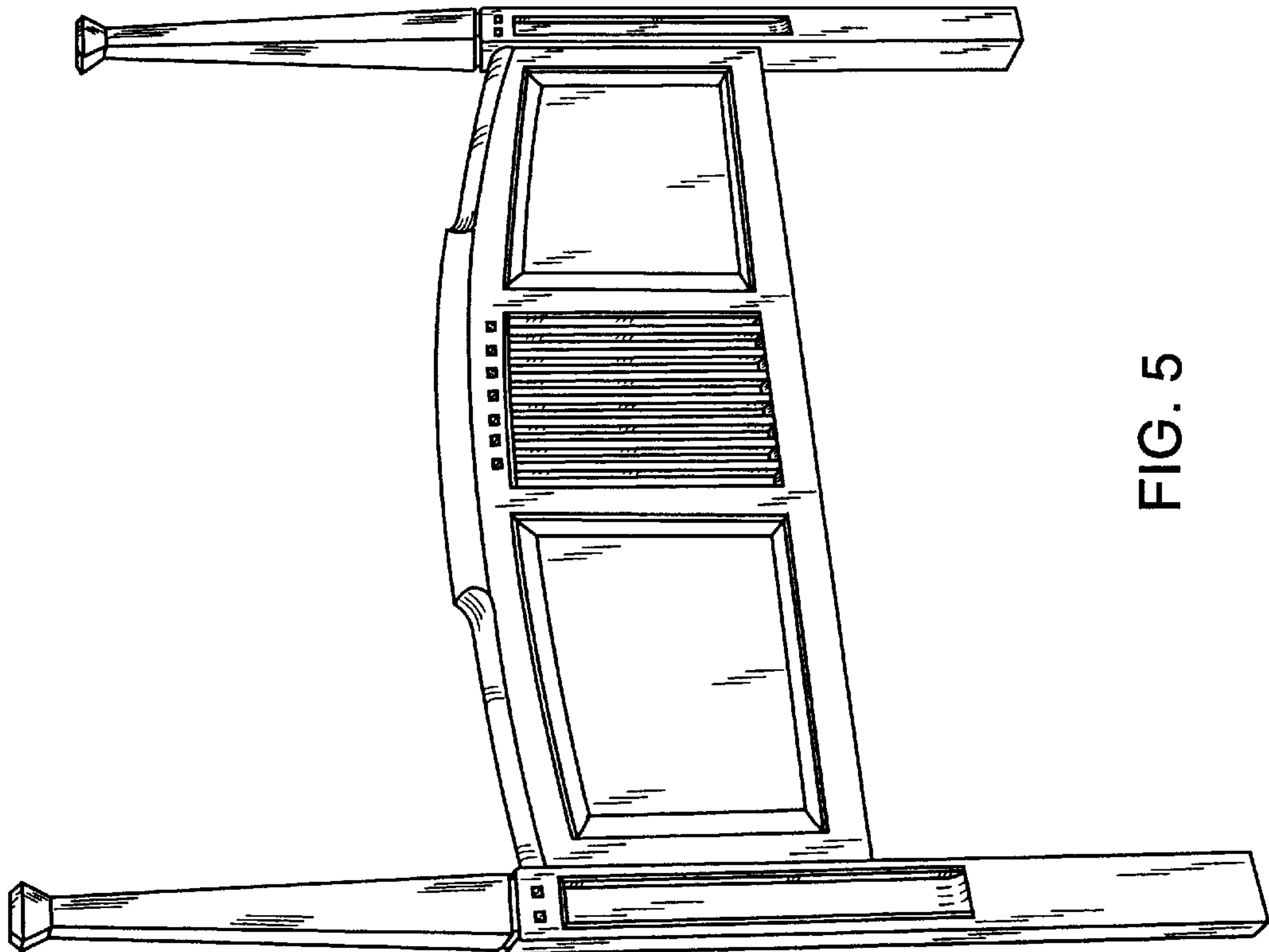


FIG. 5

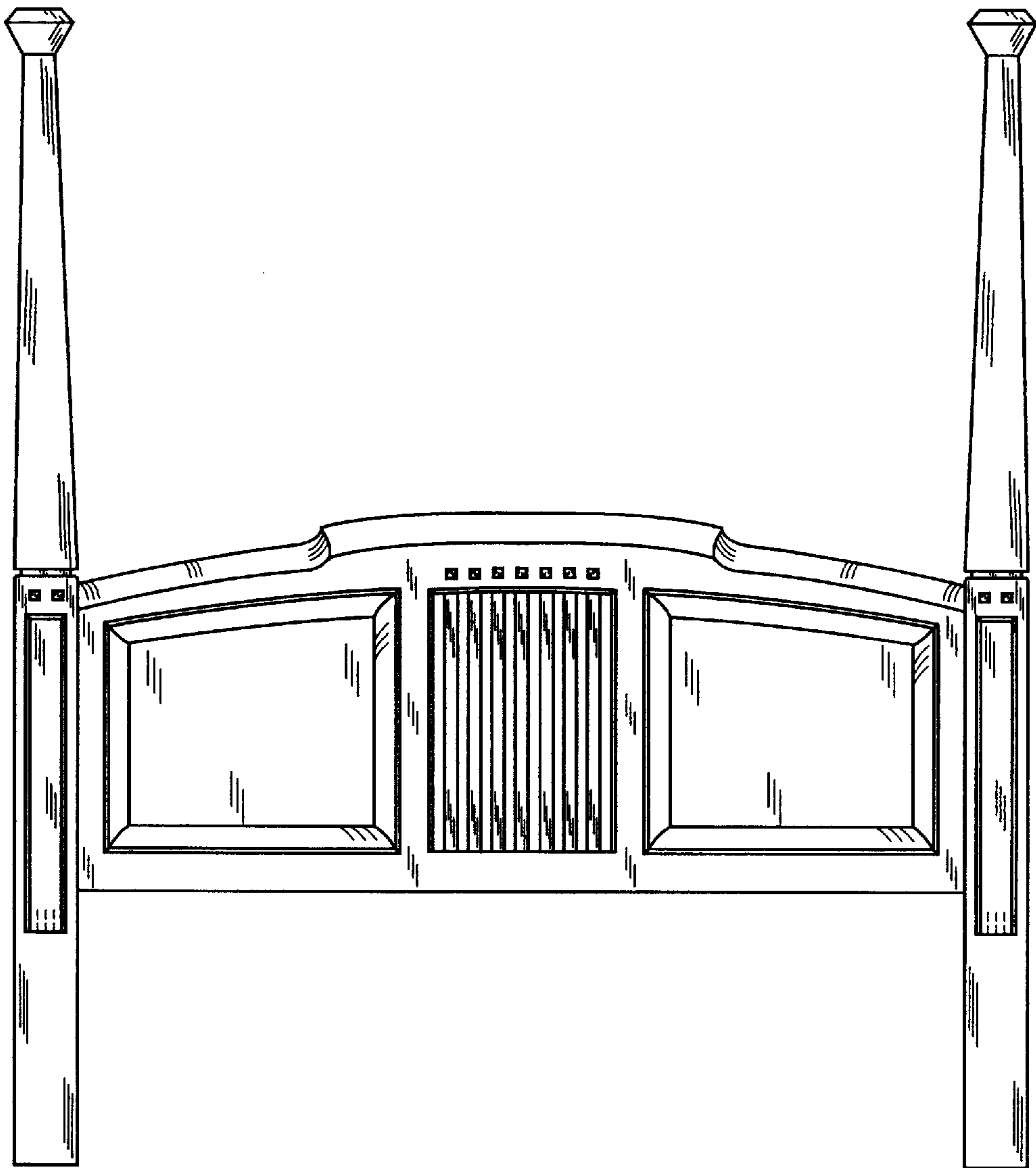


FIG. 7

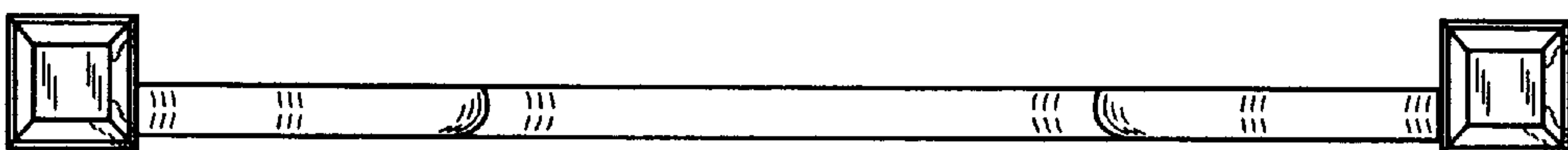


FIG. 8