



US00D429098S

United States Patent [19]

Zaidman et al.

[11] **Patent Number: Des. 429,098**

[45] **Date of Patent: ** Aug. 8, 2000**

[54] **FOOT FOR CASEGOODS**

[75] Inventors: **S. Paul Zaidman; Weldon John Neufeld**, both of Winnipeg, Canada

[73] Assignee: **Palliser Furniture Ltd.**, Canada

[**] Term: **14 Years**

[21] Appl. No.: **29/075,999**

[22] Filed: **Aug. 28, 1997**

[51] **LOC (7) Cl.** **06-04**

[52] **U.S. Cl.** **D6/495**

[58] **Field of Search** D6/491, 492, 495, D6/432-448; 248/188.8; 312/330.1, 348.4

[56] **References Cited**

U.S. PATENT DOCUMENTS

- D. 347,128 5/1994 Ball D6/445
- D. 384,518 10/1997 Bergelin D6/439

OTHER PUBLICATIONS

Sturbridge Yankee Workshop, p. 22; record cabinet and end table on center page, 1971/72.
 The Hub, p. 11; foot on the top right dresser on page, Sep. 1996.

Primary Examiner—Carmen H. Vales-Lado
Attorney, Agent, or Firm—Michael Best & Friedrich LLP

[57] **CLAIM**

The ornamental design for a foot for casegoods, as shown and described.

DESCRIPTION

FIG. 1 is a perspective view of a foot for casegoods showing my new design;

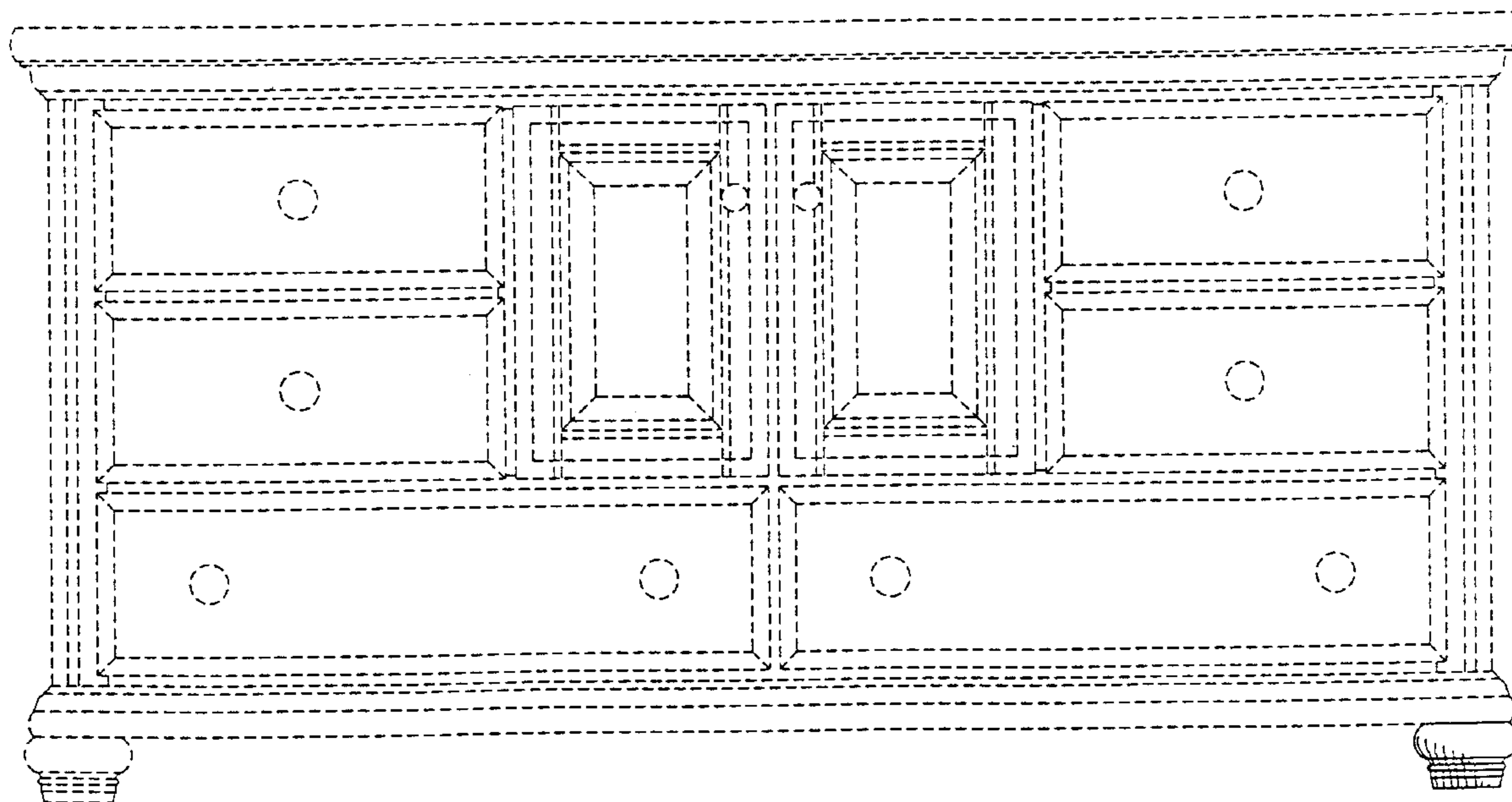
FIG. 2 is a front elevational view thereof;

FIG. 3 is an enlarged elevational view of a portion of FIG. 2; and,

FIG. 4 is an enlarged perspective view thereof.

The broken lines shown throughout the views are for illustrative purposes only.

1 Claim, 4 Drawing Sheets



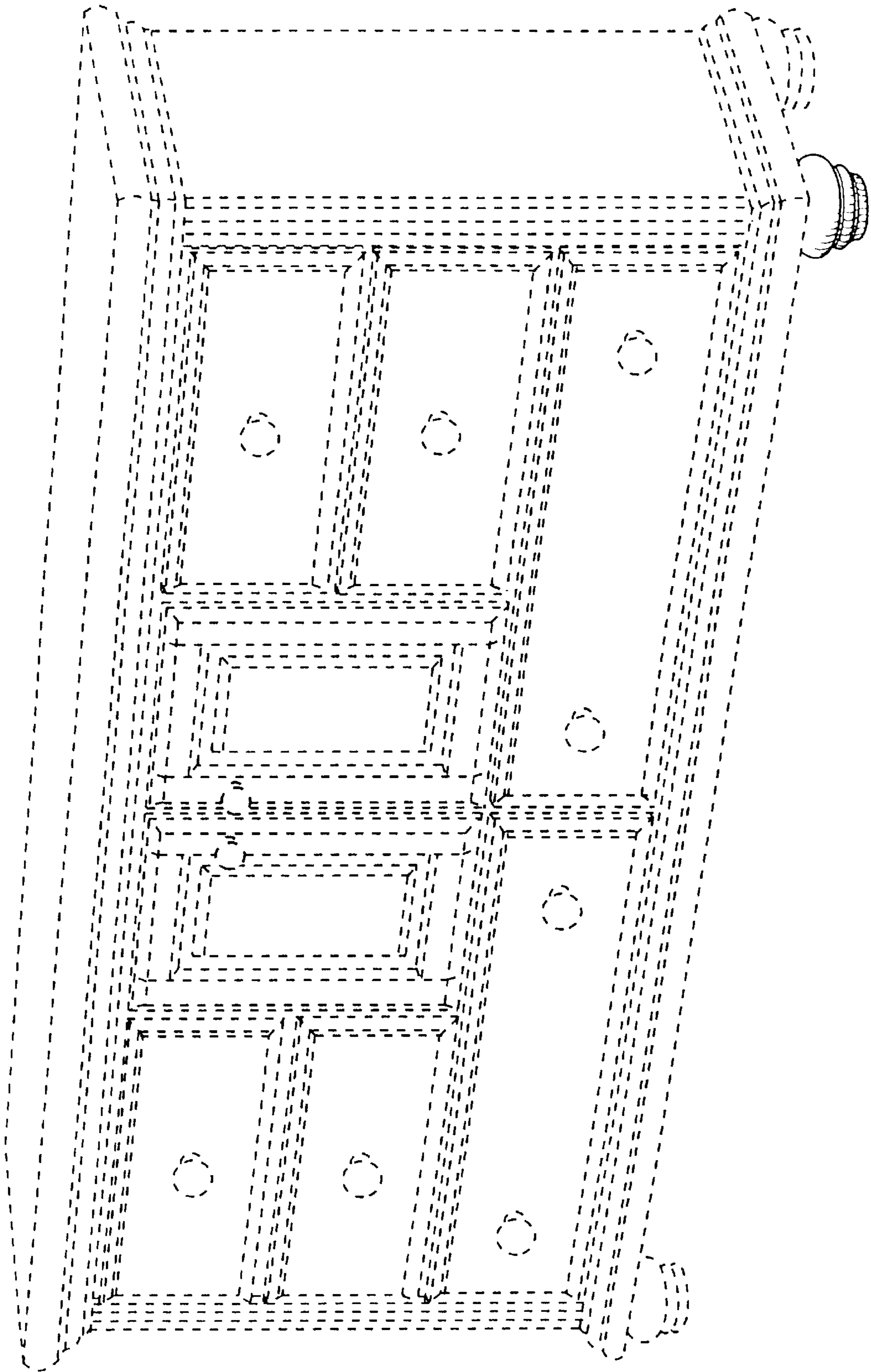


FIG. 1

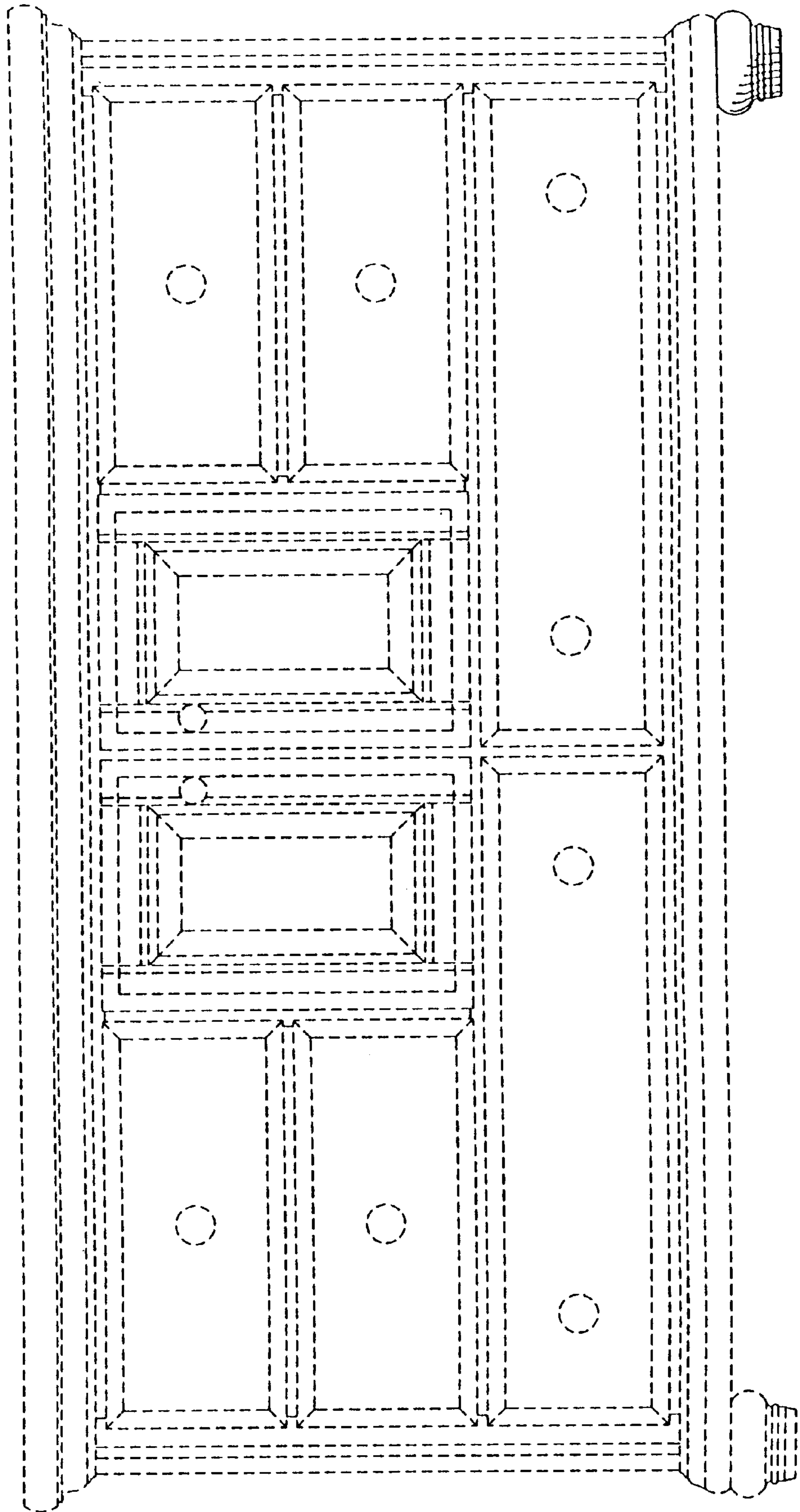


FIG. 2

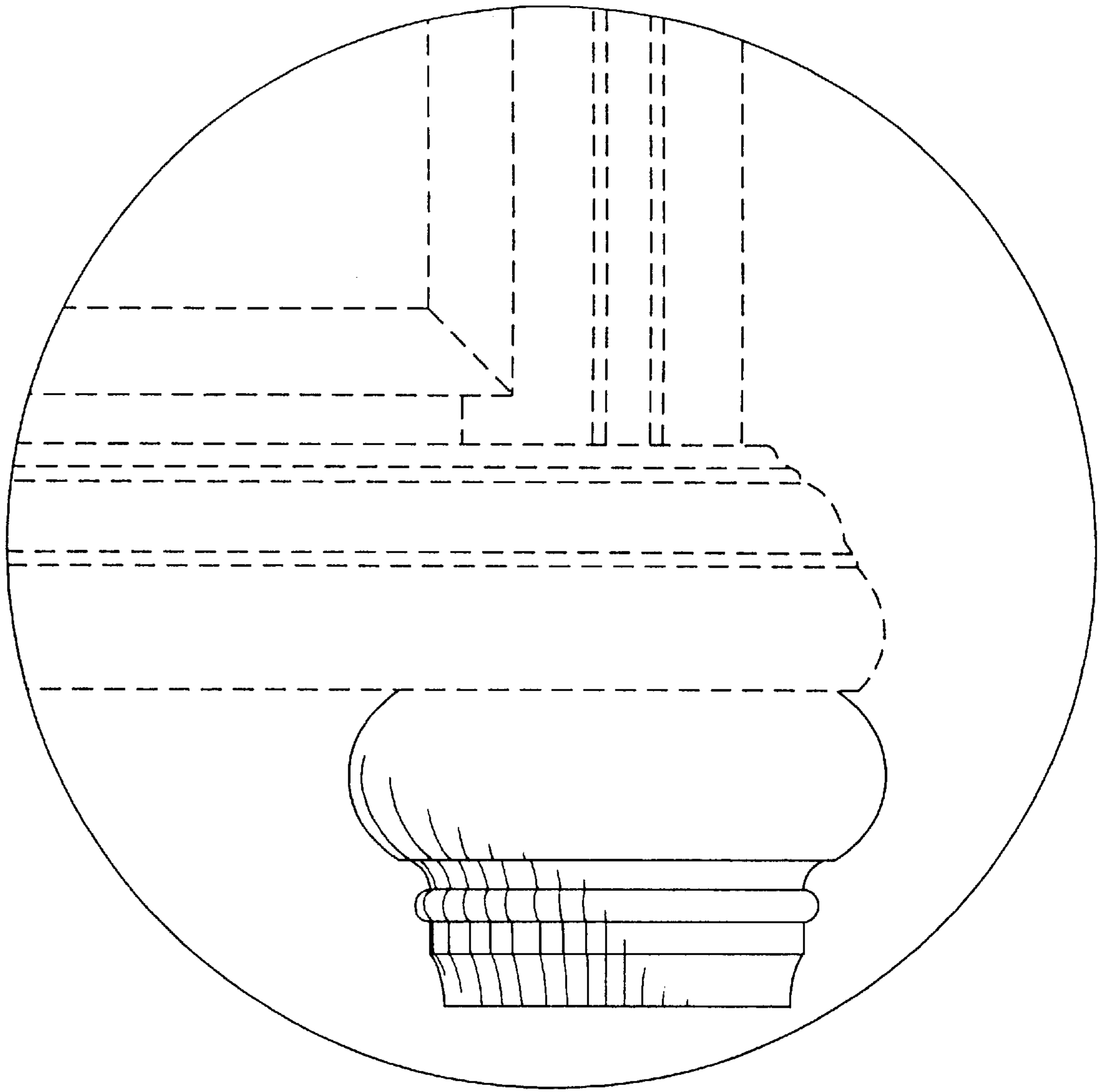


FIG. 3

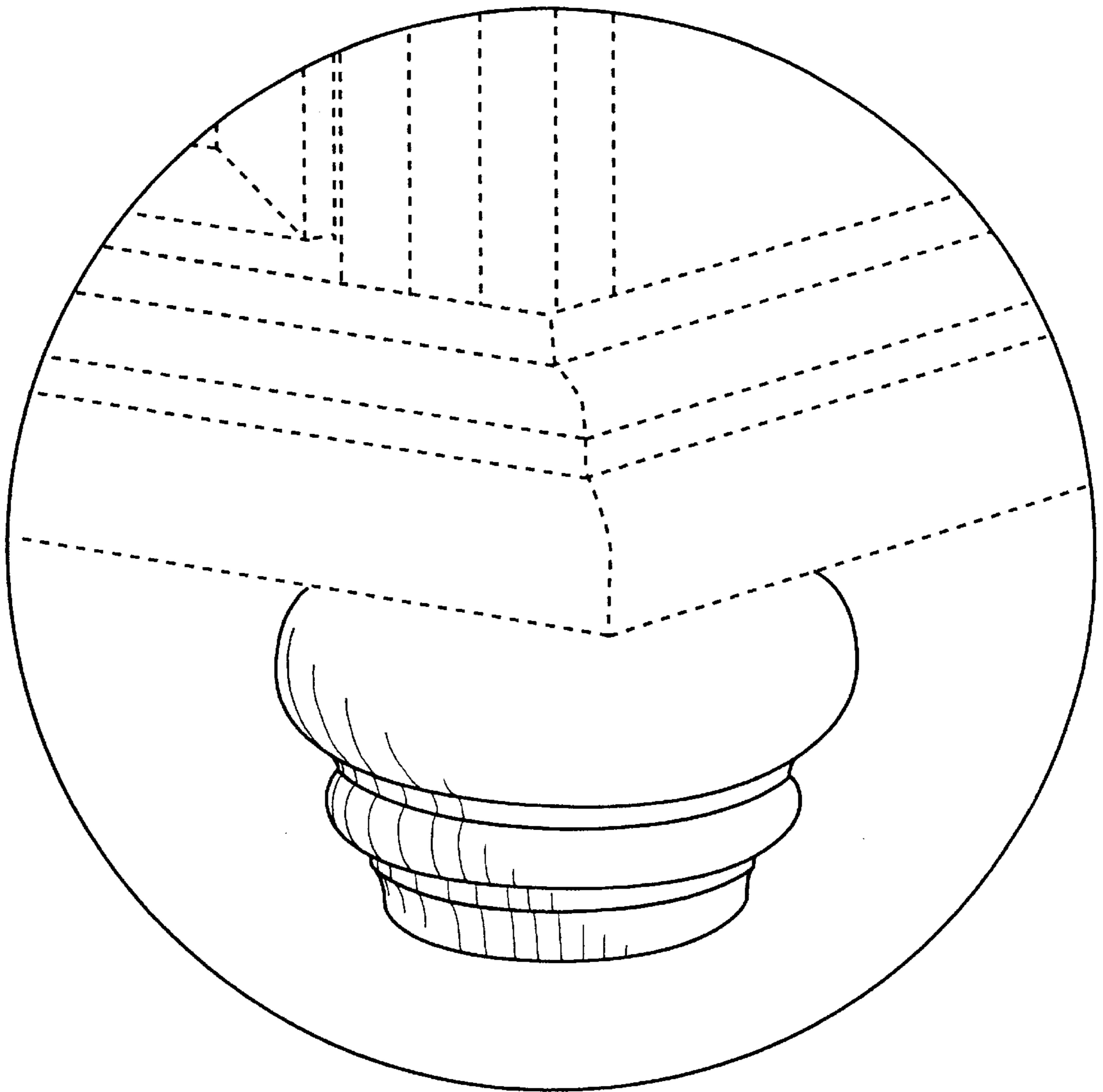


FIG. 4