



US00D429089S

United States Patent [19]

Swensson et al.

[11] Patent Number: **Des. 429,089**

[45] Date of Patent: **** Aug. 8, 2000**

[54] **ARMOIRE**

[75] Inventors: **Earl S. Swensson**, Franklin; **David S. Gilbert**, Hermitage, both of Tenn.

[73] Assignee: **Wellness, LLC**, Nashville, Tenn.

[**] Term: **14 Years**

[21] Appl. No.: **29/101,761**

[22] Filed: **Mar. 11, 1999**

[51] **LOC (7) Cl.** **06-04**

[52] **U.S. Cl.** **D6/437; D6/441**

[58] **Field of Search** D6/432-448, 470;
312/204, 324, 326, 321

[56] **References Cited**

U.S. PATENT DOCUMENTS

D. 31,695	10/1899	Thompson .	
D. 124,532	1/1941	Knox	D6/437
D. 142,049	8/1945	Waddell	D6/436
D. 150,053	6/1948	Brunmark	D6/436
D. 167,724	9/1952	Sherman	D6/561
D. 260,213	8/1981	Crespi	D6/436
D. 310,756	9/1990	Pauer et al.	D6/445
D. 358,046	5/1995	Ferguson	D6/437
D. 360,088	7/1995	Walters, III et al.	D6/439
D. 363,393	10/1995	Berry, Jr. et al.	D6/439
D. 363,836	11/1995	Paus	D6/444
D. 367,383	2/1996	Hatrack-Smith	D6/436 X

D. 371,020	6/1996	Paus	D6/444
D. 375,000	10/1996	Paus	D6/445
D. 375,001	10/1996	Keller et al.	D6/445
D. 375,420	11/1996	Keller et al.	D6/445
D. 382,138	8/1997	Mann	D6/445
D. 387,580	12/1997	Walters, III et al.	D6/434
2,468,473	4/1949	Underwood	45/90
3,202,470	8/1965	Lage	312/227
4,219,248	8/1980	Goldberg	312/324
4,317,606	3/1982	Hastings	312/231
5,516,203	5/1996	Branham et al.	312/324

Primary Examiner—Carmen H. Vales-Lado
Attorney, Agent, or Firm—Lucian Wayne Beavers Waddey & Patterson

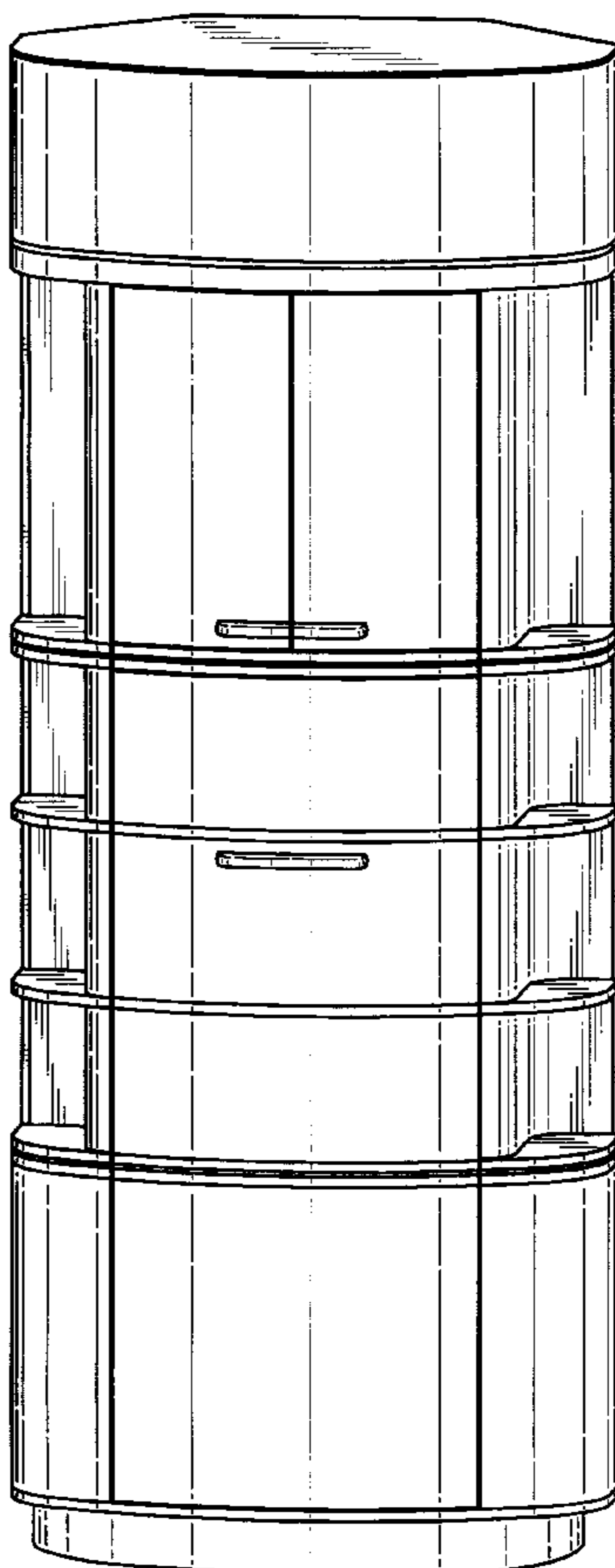
[57] **CLAIM**

The ornamental design for an armoire, as shown and described.

DESCRIPTION

FIG. 1 is a perspective view of an armoire showing our new design;
FIG. 2 is a top plan view thereof;
FIG. 3 is a front elevational view thereof;
FIG. 4 is a right side elevational view thereof;
FIG. 5 is a left side elevational view thereof;
FIG. 6 is a rear elevational view thereof; and,
FIG. 7 is a bottom plan view thereof.

1 Claim, 3 Drawing Sheets



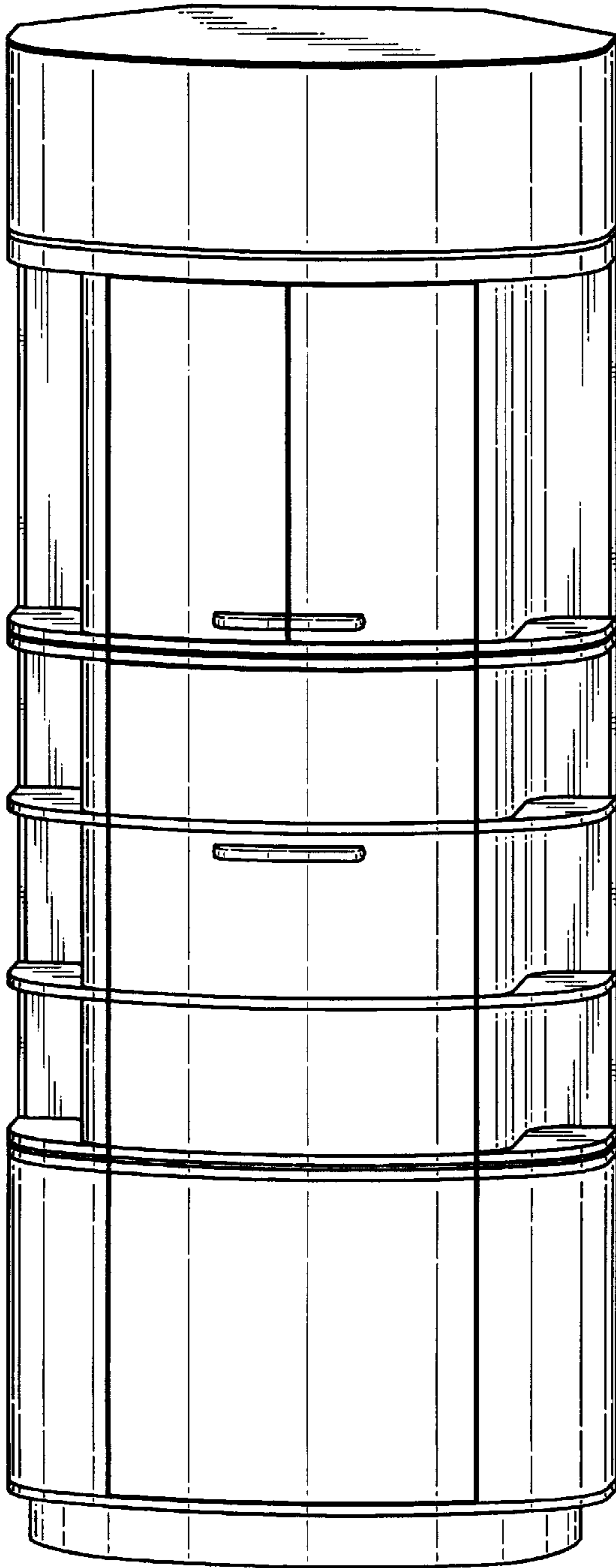


FIG. 1

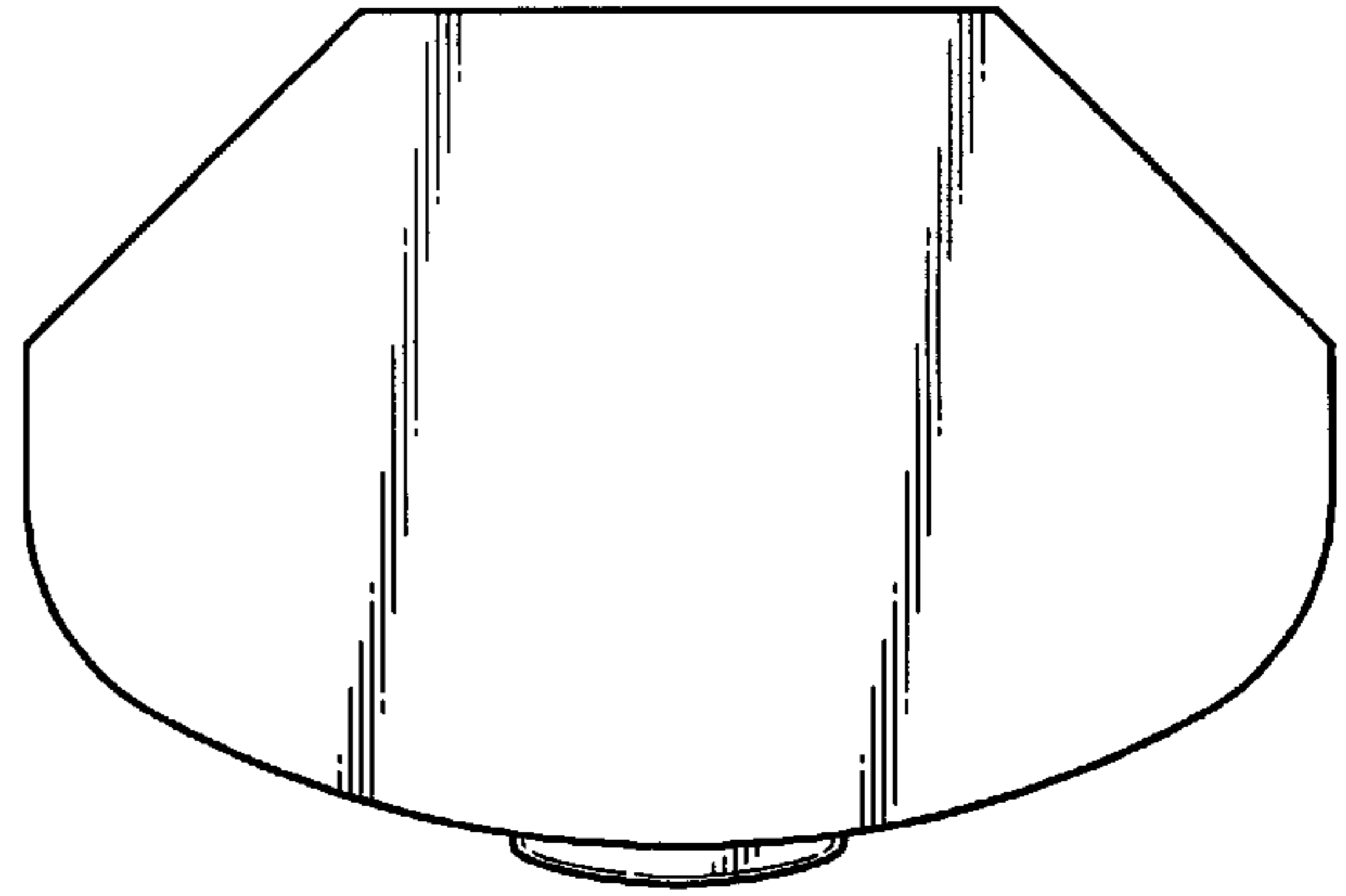


FIG. 2

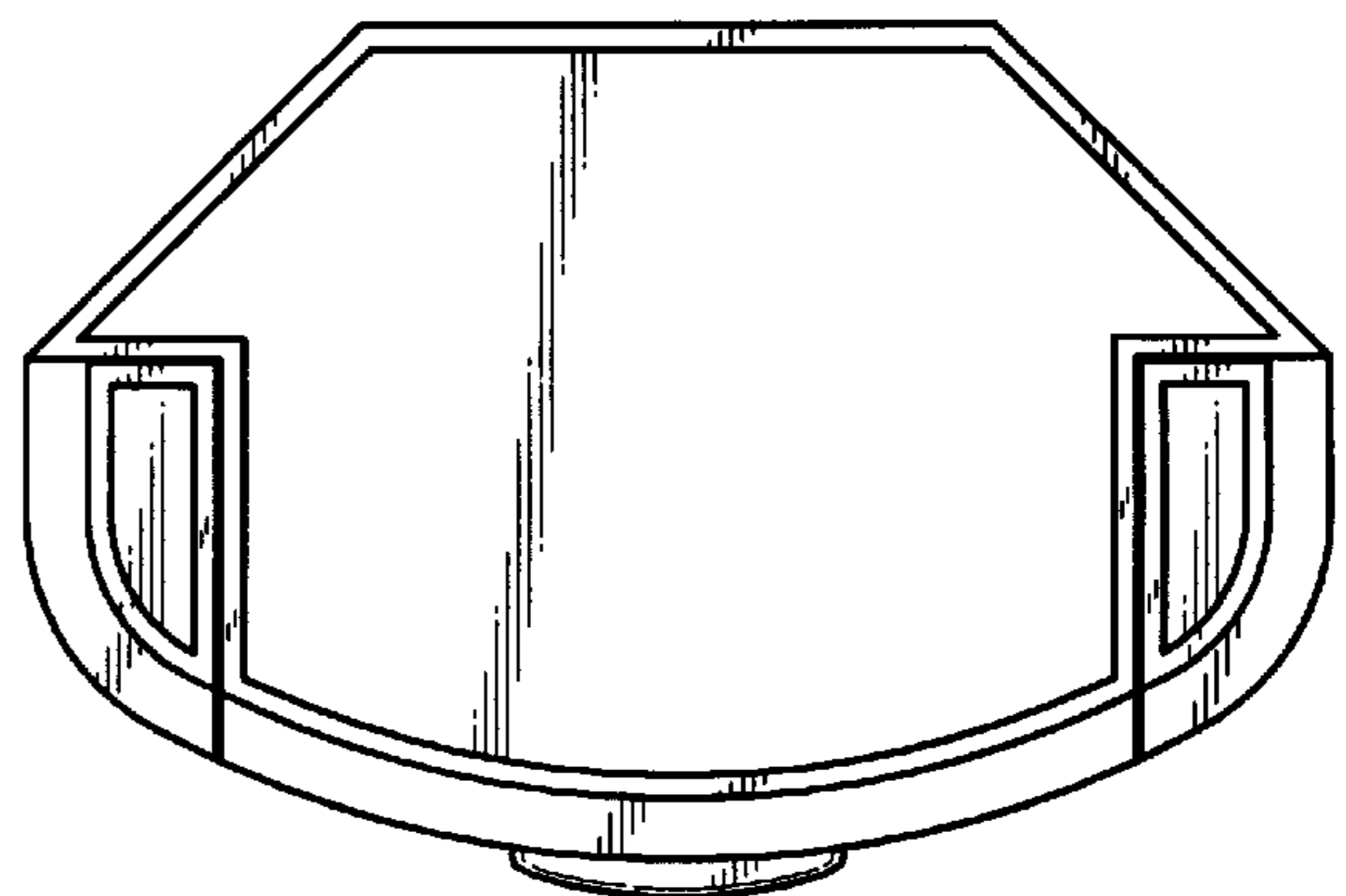


FIG. 7



FIG. 3

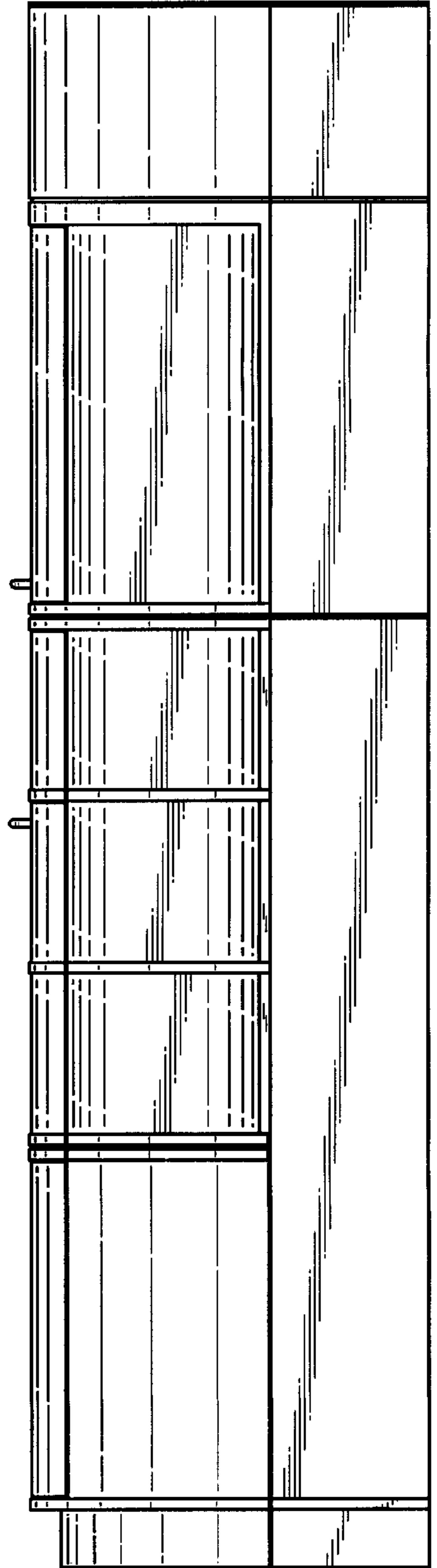


FIG. 4

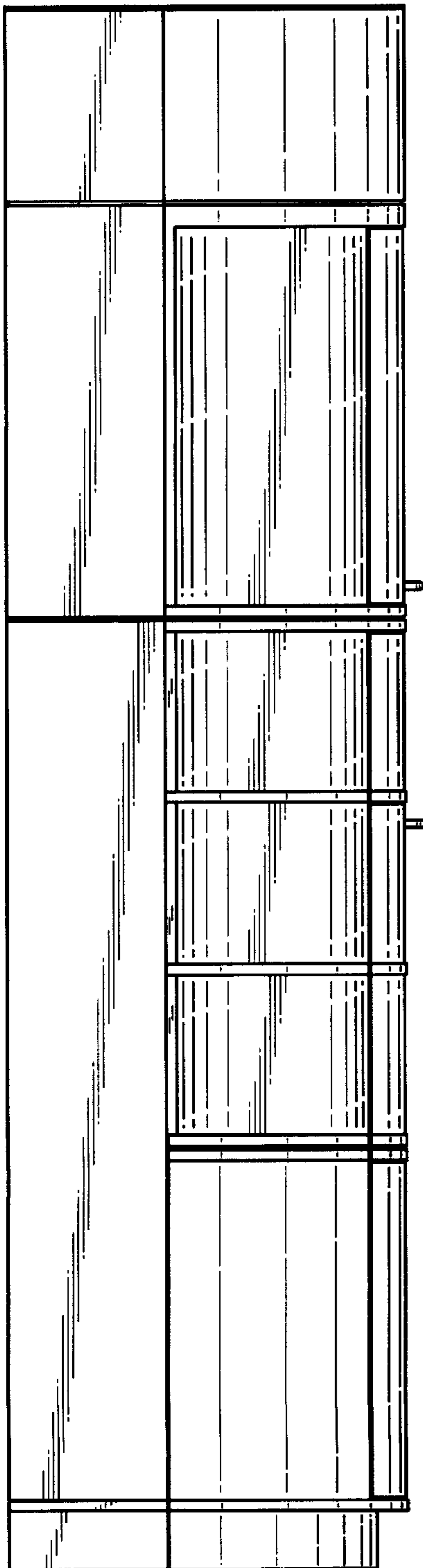


FIG. 5

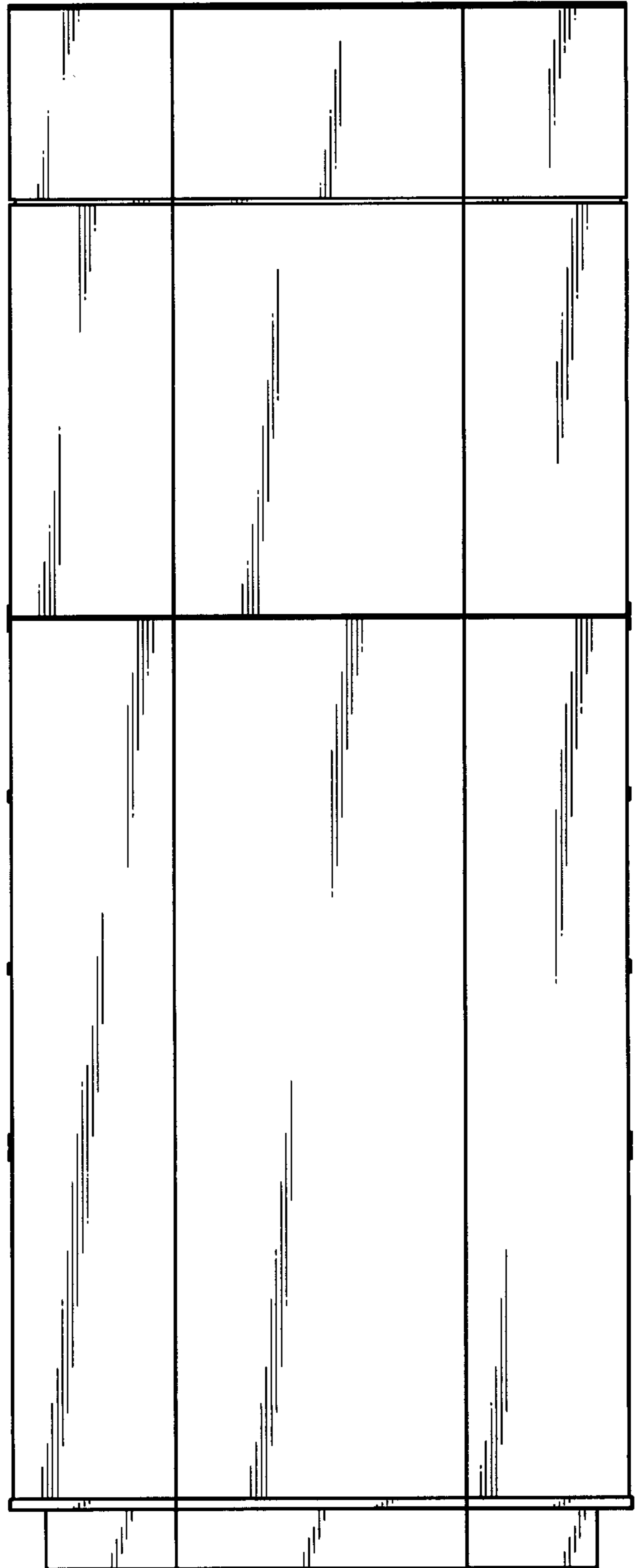


FIG. 6