



US00D429086S

# United States Patent [19]

Coburn et al.

[11] Patent Number: **Des. 429,086**

[45] Date of Patent: **\*\* Aug. 8, 2000**

[54] **BENCH TOP FOR DENTAL OFFICE**

[75] Inventors: **Donald G. Coburn**, Collingwood;  
**Charles G. Shepherd**, Oakville, both  
of Canada

[73] Assignee: **1112923 Ontario Inc.**, Hamilton,  
Canada

[\*\*] Term: **14 Years**

[21] Appl. No.: **29/093,121**

[22] Filed: **Sep. 3, 1998**

### [30] Foreign Application Priority Data

Mar. 3, 1998 [CA] Canada ..... 1998-0468

[51] **LOC (7) Cl.** ..... **07-07**

[52] **U.S. Cl.** ..... **D6/422**

[58] **Field of Search** ..... D6/509, 396, 421,  
D6/422, 426, 432, 436, 439, 481, 483;  
312/140.1, 140.3, 194, 196

### [56] References Cited

#### U.S. PATENT DOCUMENTS

D. 214,505 6/1969 Jones ..... D6/422

D. 287,624 1/1987 Landan et al. .... D6/422  
D. 330,124 10/1992 Short ..... D6/422  
D. 373,373 9/1996 Meier et al. .... D6/422  
5,615,936 4/1997 Simmons et al. .... 312/194 X

*Primary Examiner*—Brian N. Vinson  
*Attorney, Agent, or Firm*—Ingrid E. Schmidt

### [57] CLAIM

We claim the design for a bench top for dental office, as shown and described.

### DESCRIPTION

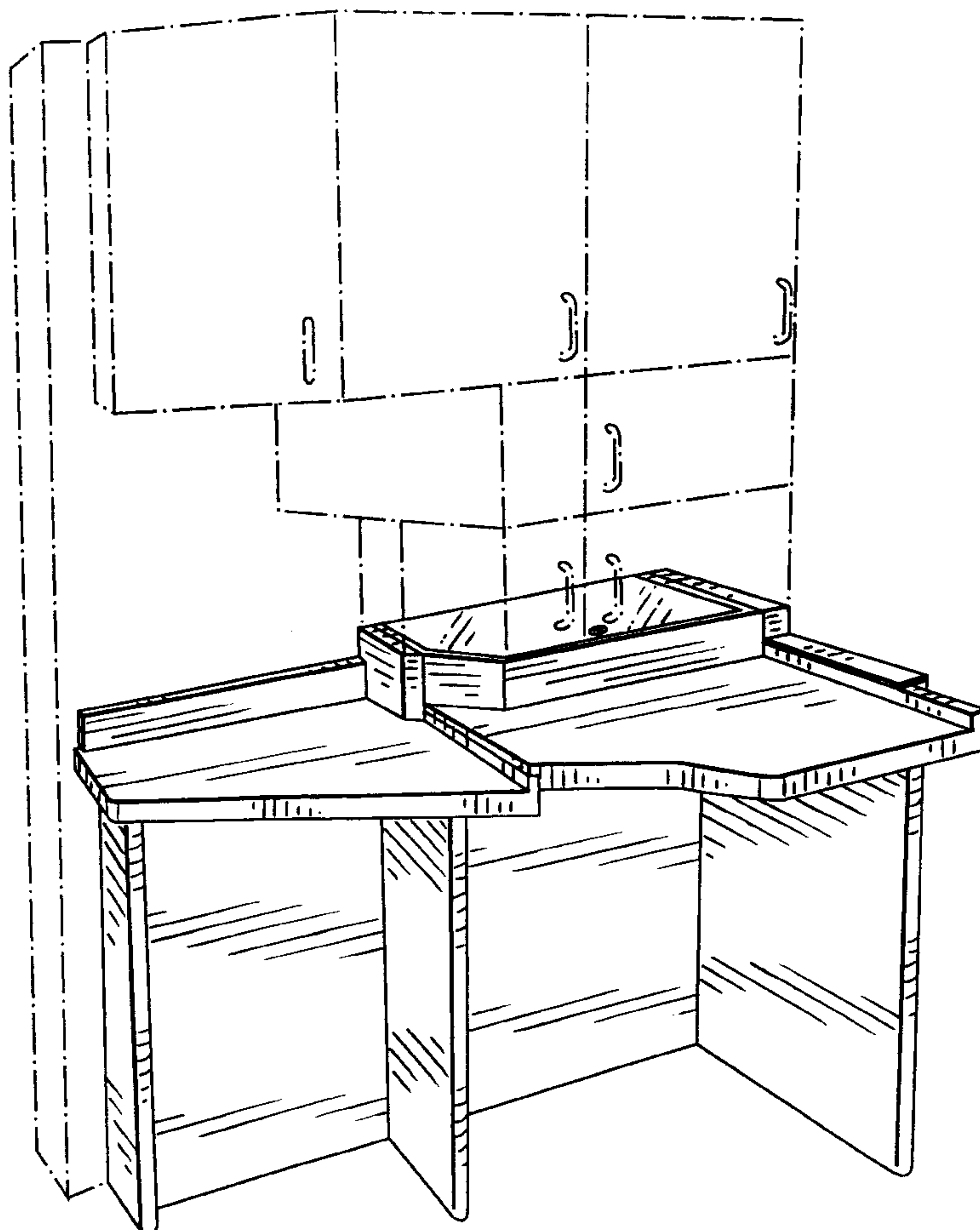
FIG. 1 is a top and front perspective view of a bench top showing our new design;

FIG. 2 is a similar view to FIG. 1 showing a drawer portion thereof in a fully extended configuration; and,

FIG. 3 is a top plan view of FIG. 1.

The portions of the drawings shown in broken lines indicate surrounding structure which does not form part of the design.

**1 Claim, 3 Drawing Sheets**



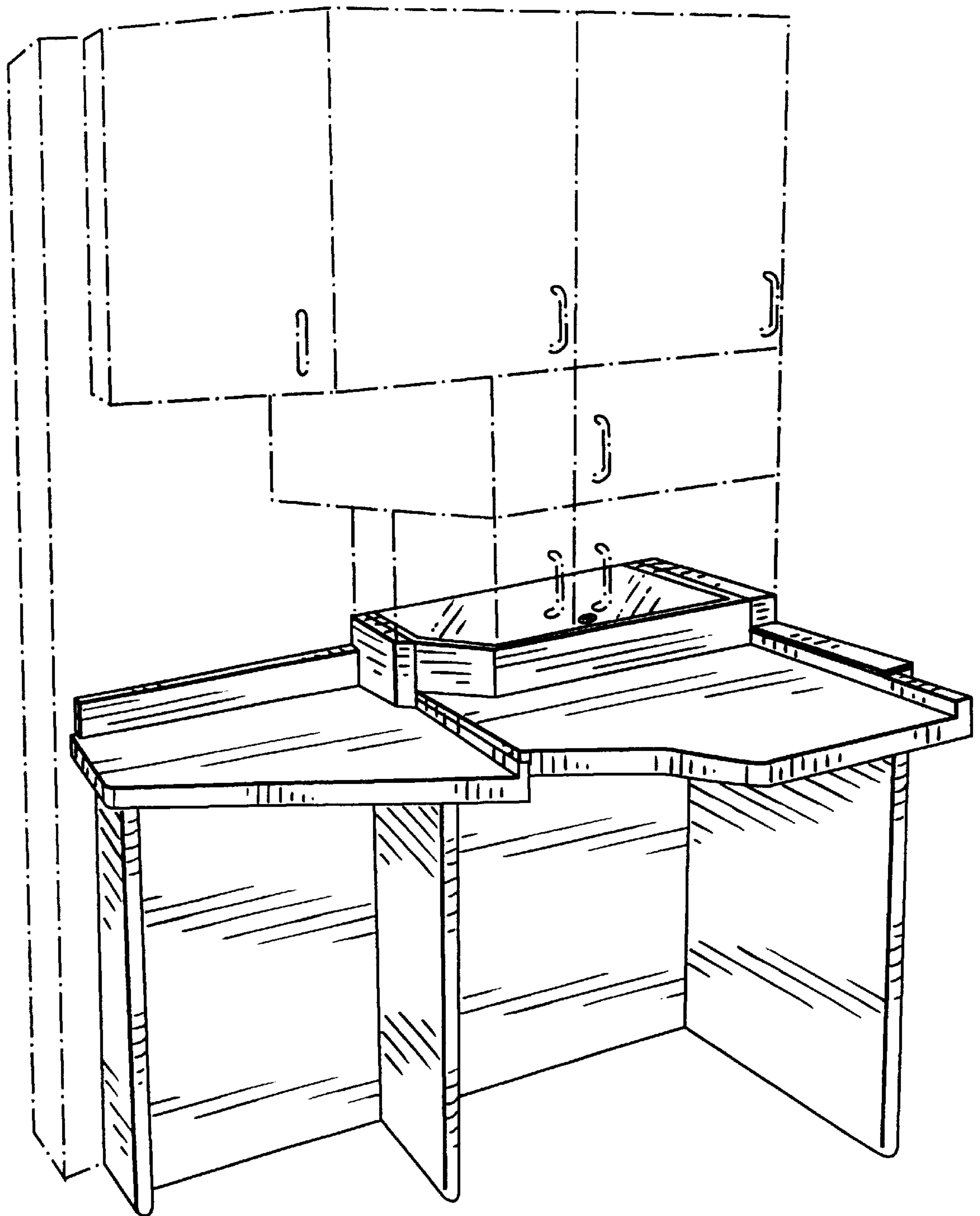


FIG. 1

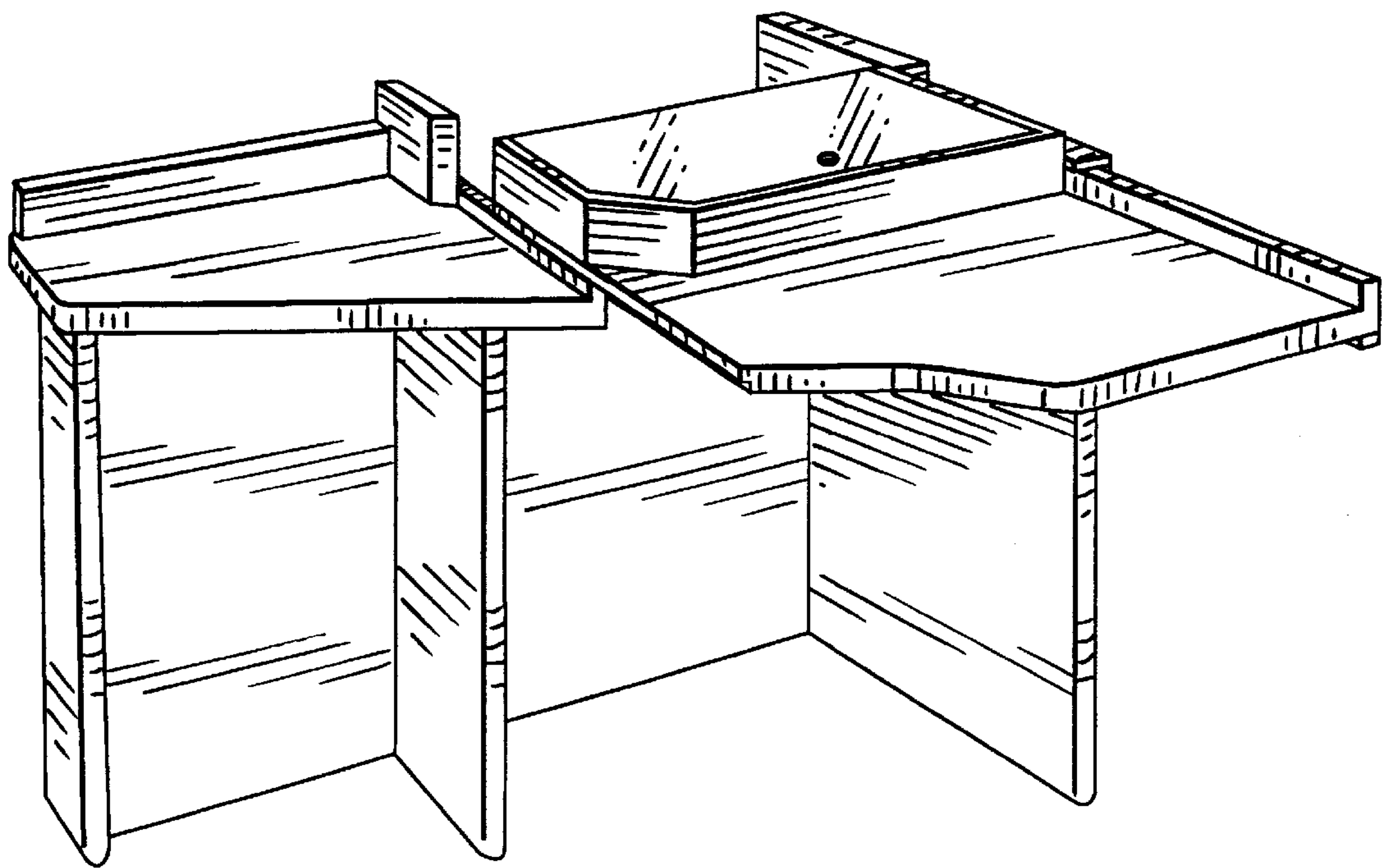
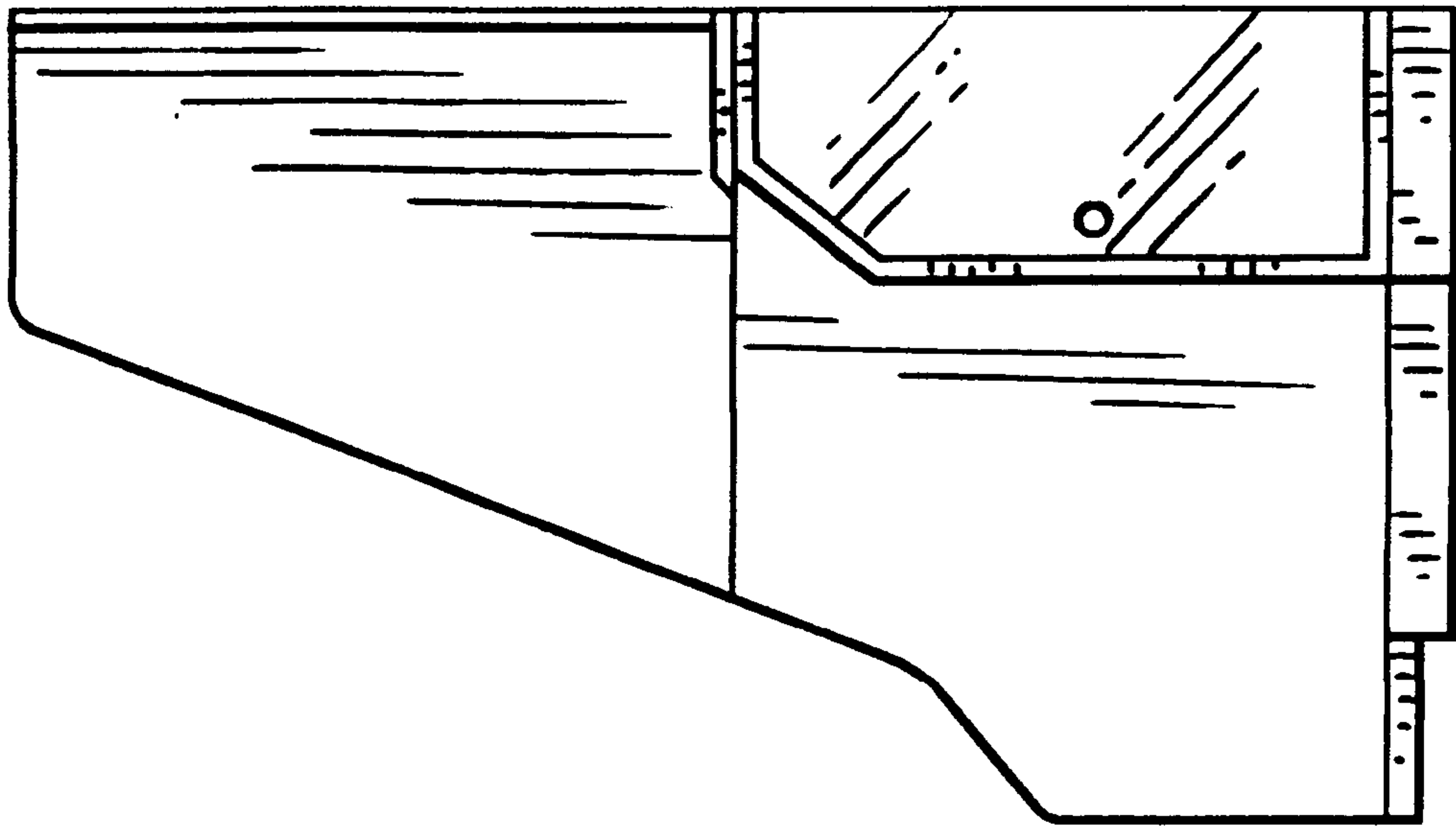


FIG. 2



**FIG. 3**