



US00D429083S

United States Patent [19]
Graziano

[11] **Patent Number: Des. 429,083**
[45] **Date of Patent: ** Aug. 8, 2000**

[54] **DECORATIVE BED FRAME**

DESCRIPTION

[75] Inventor: **Julia Graziano**, Montclair, N.J.
[73] Assignee: **Julia Designs, Inc.**, Montclair, N.J.
[**] Term: **14 Years**
[21] Appl. No.: **29/117,475**
[22] Filed: **Jan. 26, 2000**

This application is a divisional application of Ser. No. 29/097,261, filed on Dec. 2, 1998, now pending.

FIG. 1 is a perspective view of a design for a decorative bed frame.

FIG. 2 is a front elevational view of the decorative bed frame.

FIG. 3 is a right side elevational view of the decorative bed frame.

FIG. 4 is a top plan view of the decorative bed frame.

FIG. 5 is a rear elevational view of the decorative bed frame.

FIG. 6 is a perspective view showing in greater detail the left side, front and a portion of top of the left front leg of the decorative bed frame, the right front leg being a mirror image of the left front leg, wherein this view is only shown for convenience of illustration, and this view is not intended to show a distinct design separate from the decorative bed frame.

FIG. 7 is a right side elevational view showing in greater detail the left front leg of the decorative bed frame, wherein this view is only shown for convenience of illustration, and this view is not intended to show a distinct design separate from the decorative bed frame.

FIG. 8 is a top plan view showing in greater detail the left front leg of the decorative bed frame, wherein this view is only shown for convenience of illustration, and this view is not intended to show a distinct design separate from the decorative bed frame.

Related U.S. Application Data

[62] Division of application No. 29/097,261, Dec. 2, 1998.
[51] **LOC (7) Cl.** **06-01**
[52] **U.S. Cl.** **D6/382**
[58] **Field of Search** D6/382-385, 389-395,
D6/495, 497; 5/200.1, 310, 286, 280, 281,
907; 248/188.8

References Cited

U.S. PATENT DOCUMENTS

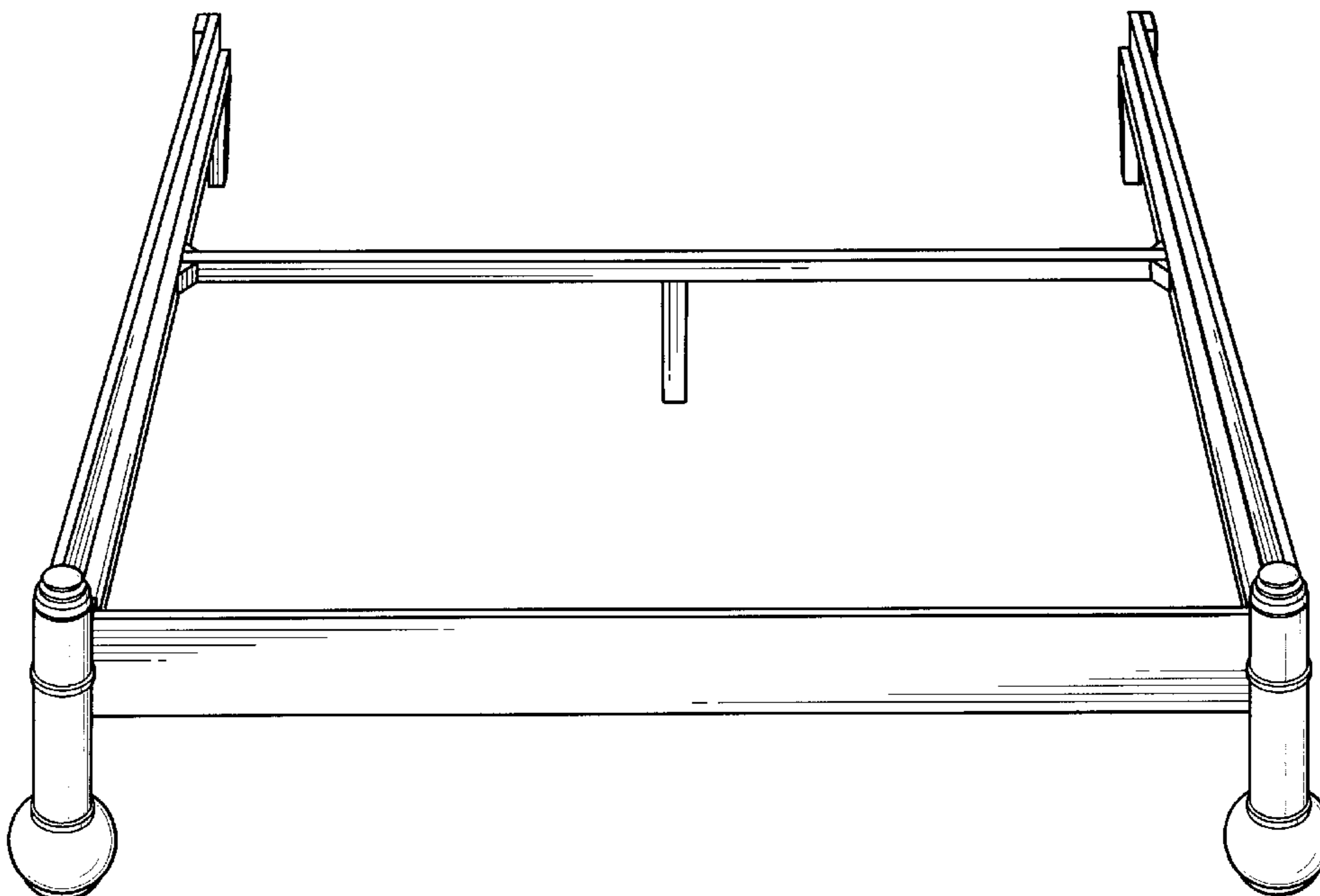
D. 24,326	5/1895	Wiessner	D6/393
D. 391,781	3/1998	Cain	D6/393
D. 417,973	12/1999	Lacroix et al.	D6/393
D. 421,855	3/2000	McDaniel et al.	D6/393
4,192,028	3/1980	Knoke	5/181

Primary Examiner—Janice E. Seeger
Attorney, Agent, or Firm—Kenyon & Kenyon

CLAIM

The ornamental design for a decorative bed frame, as shown and described.

1 Claim, 6 Drawing Sheets



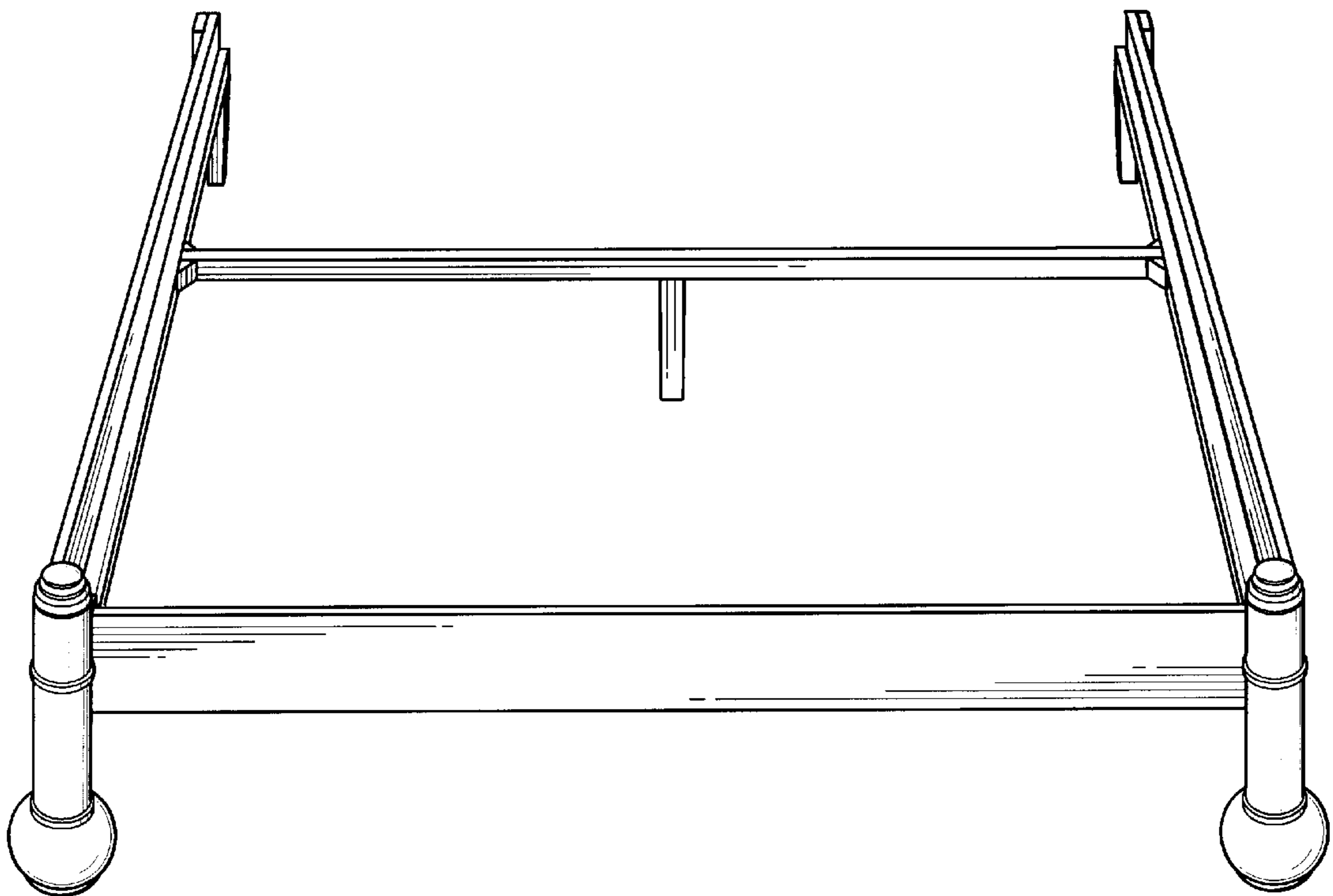


FIG. 1

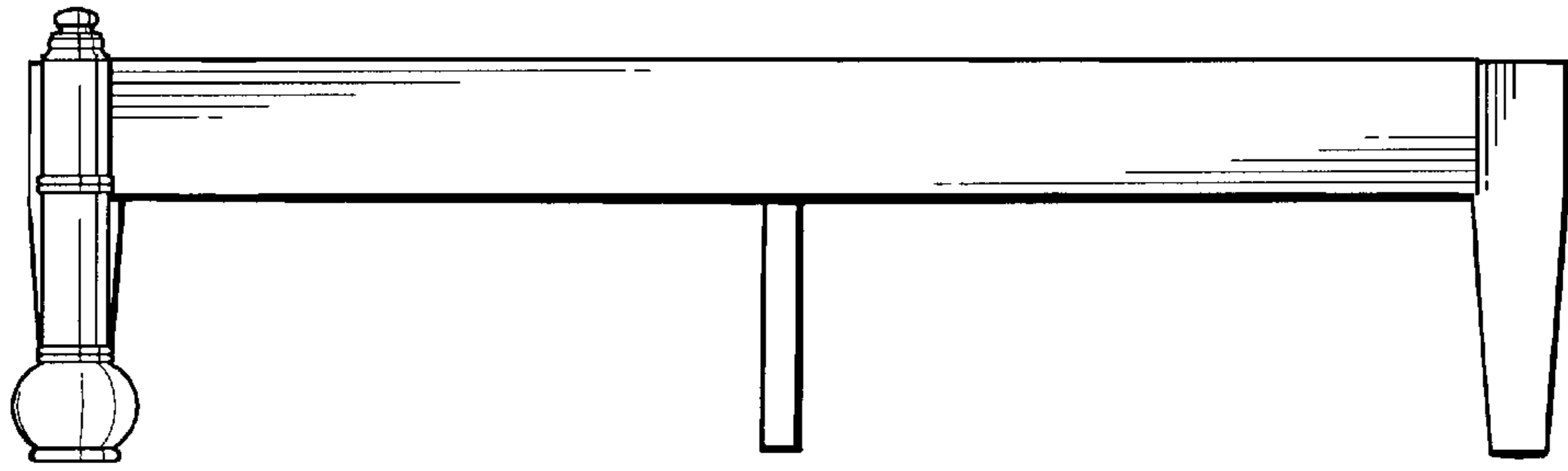


Fig. 2

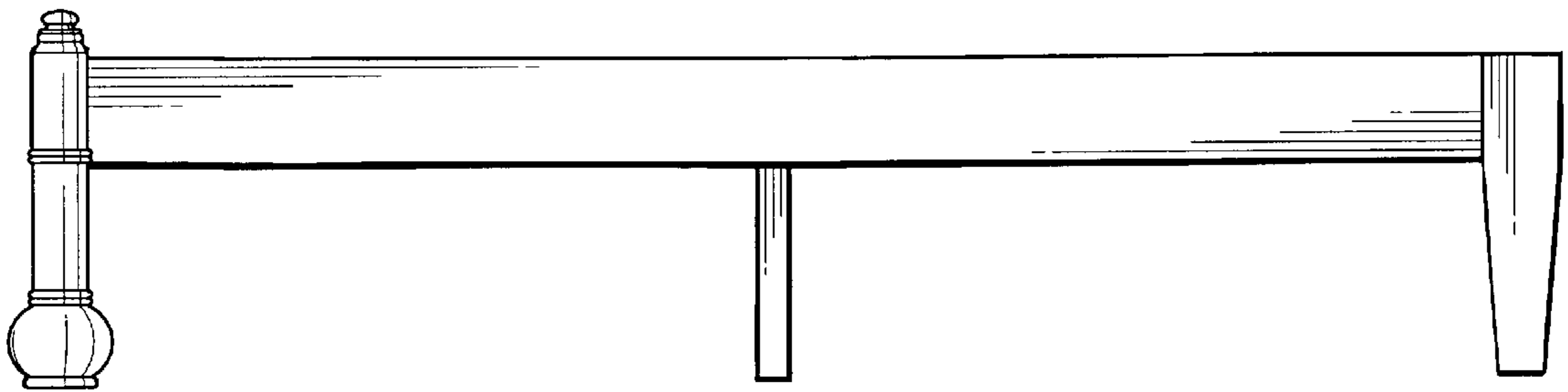


Fig. 3

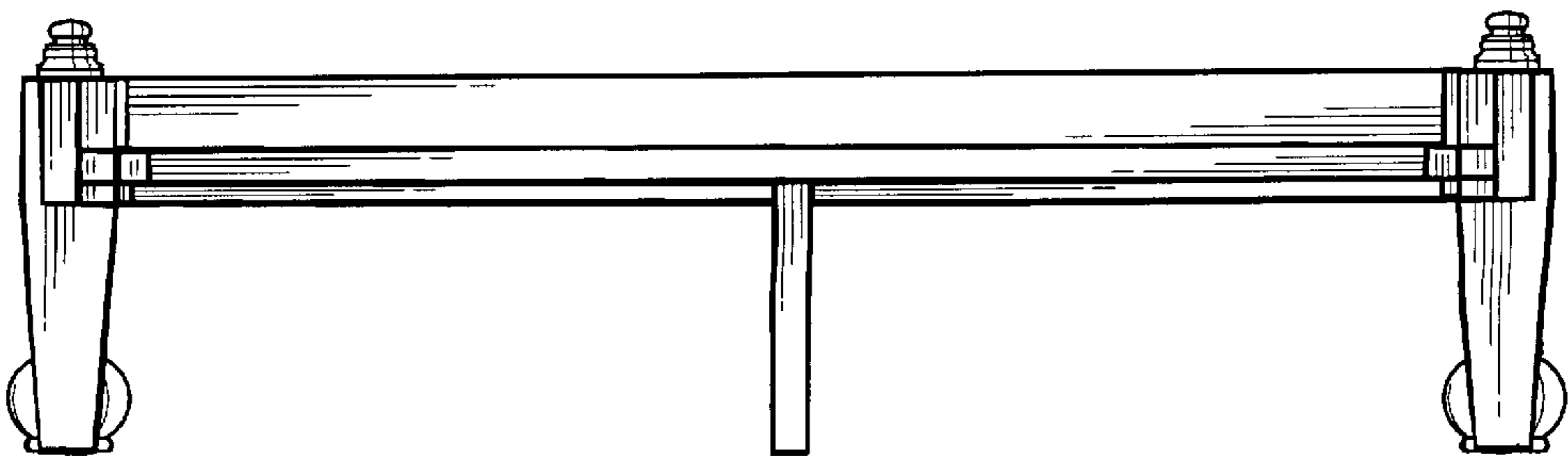


Fig. 5

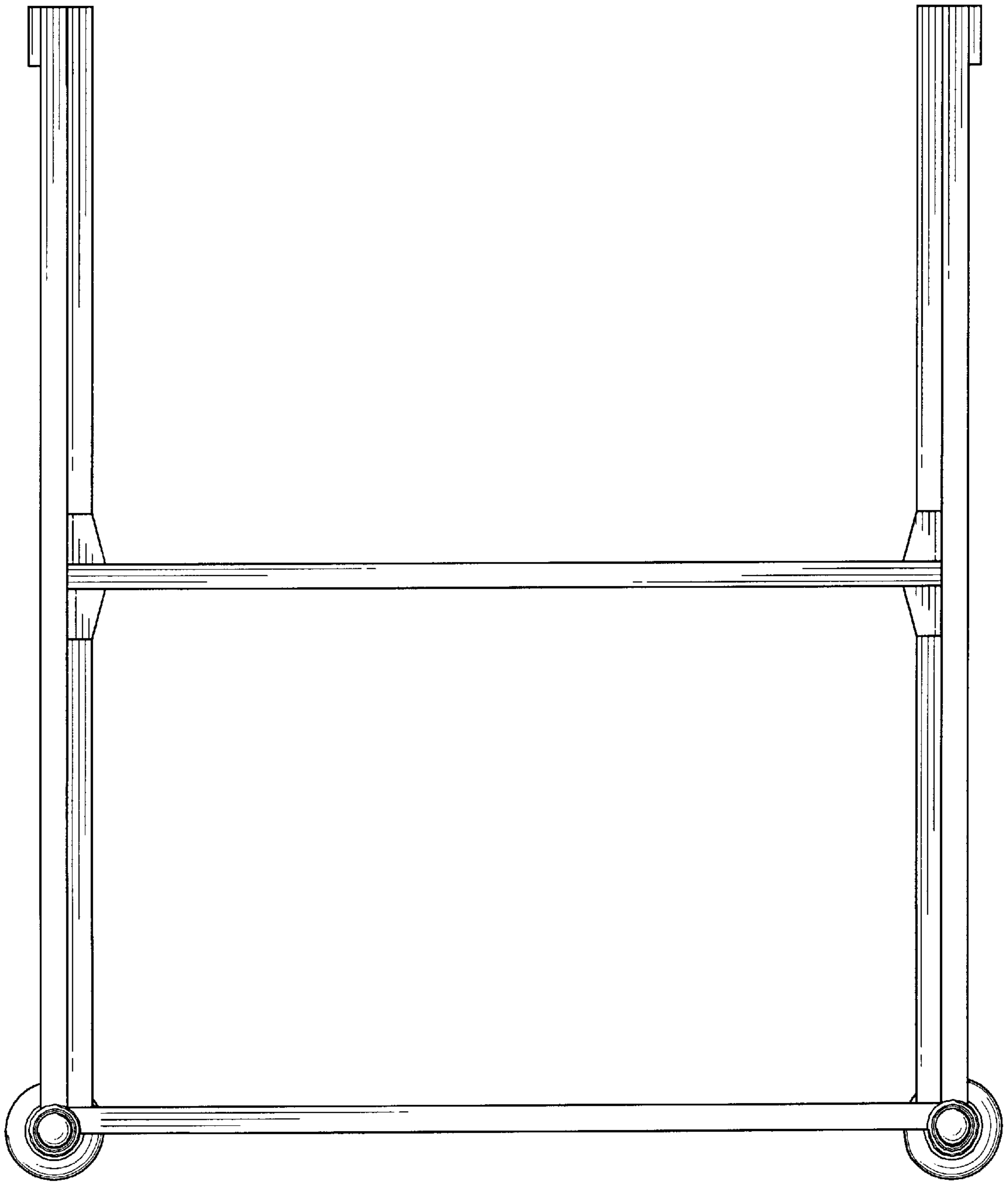


Fig. 4

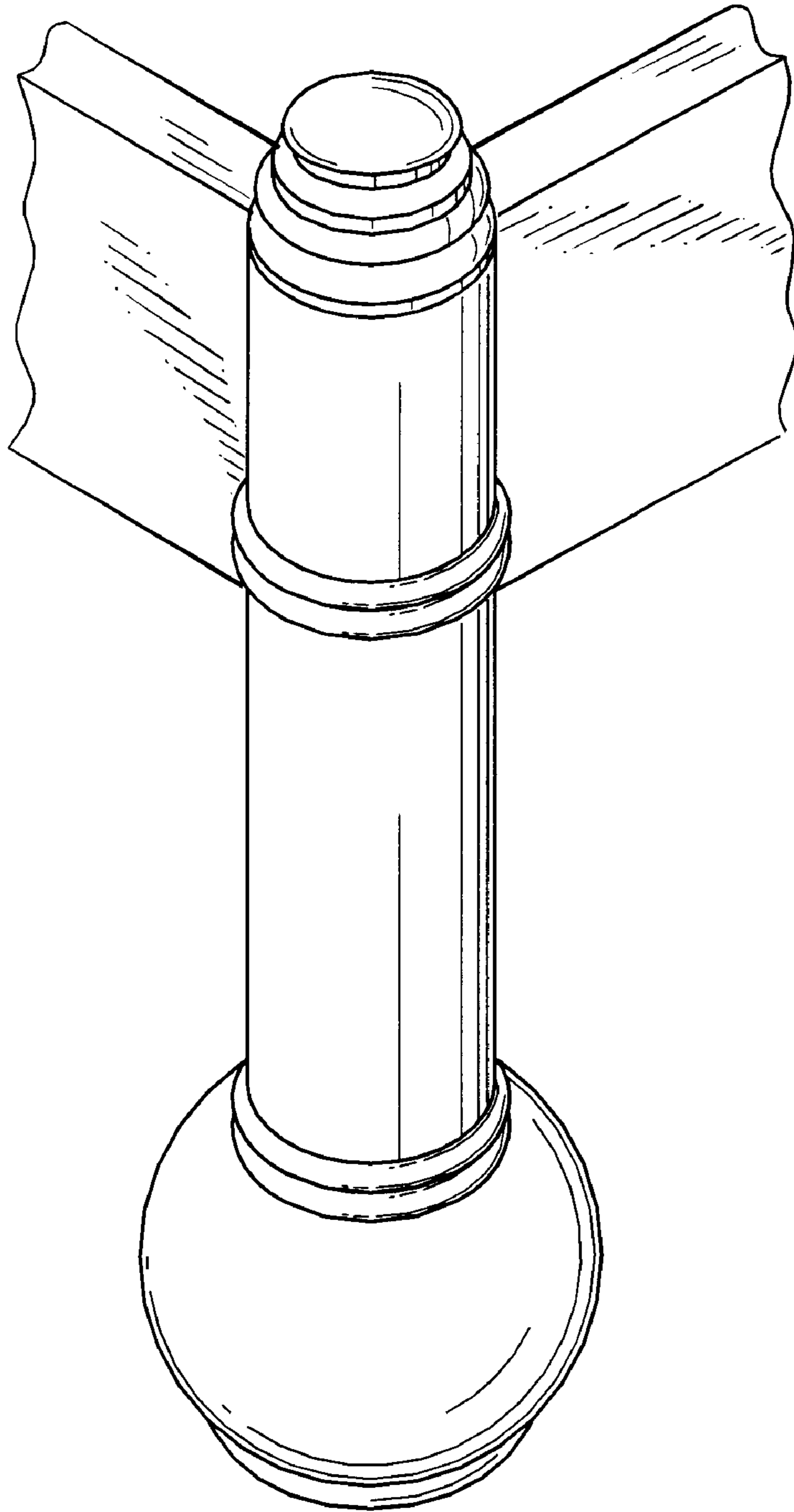


Fig. 6

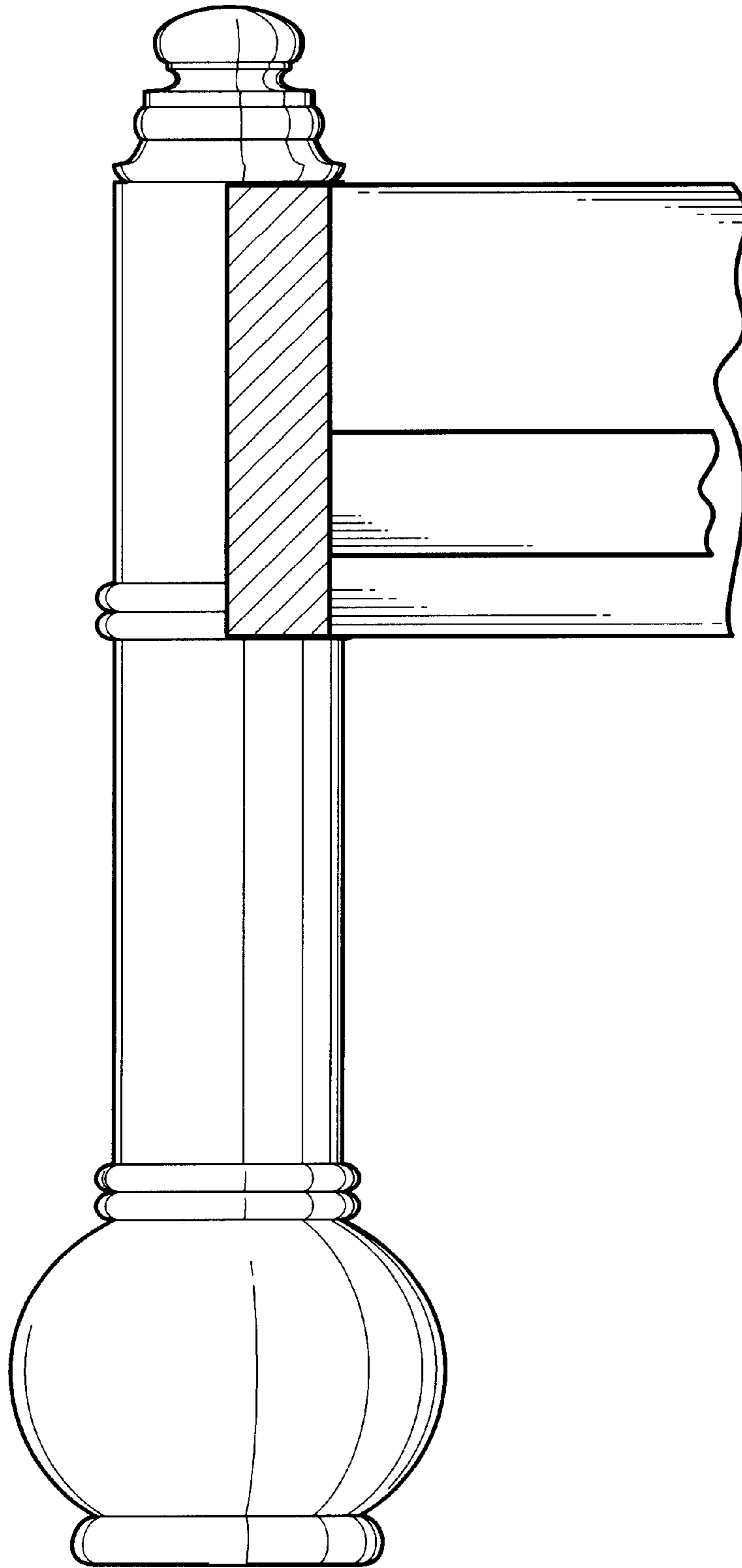


FIG. 7

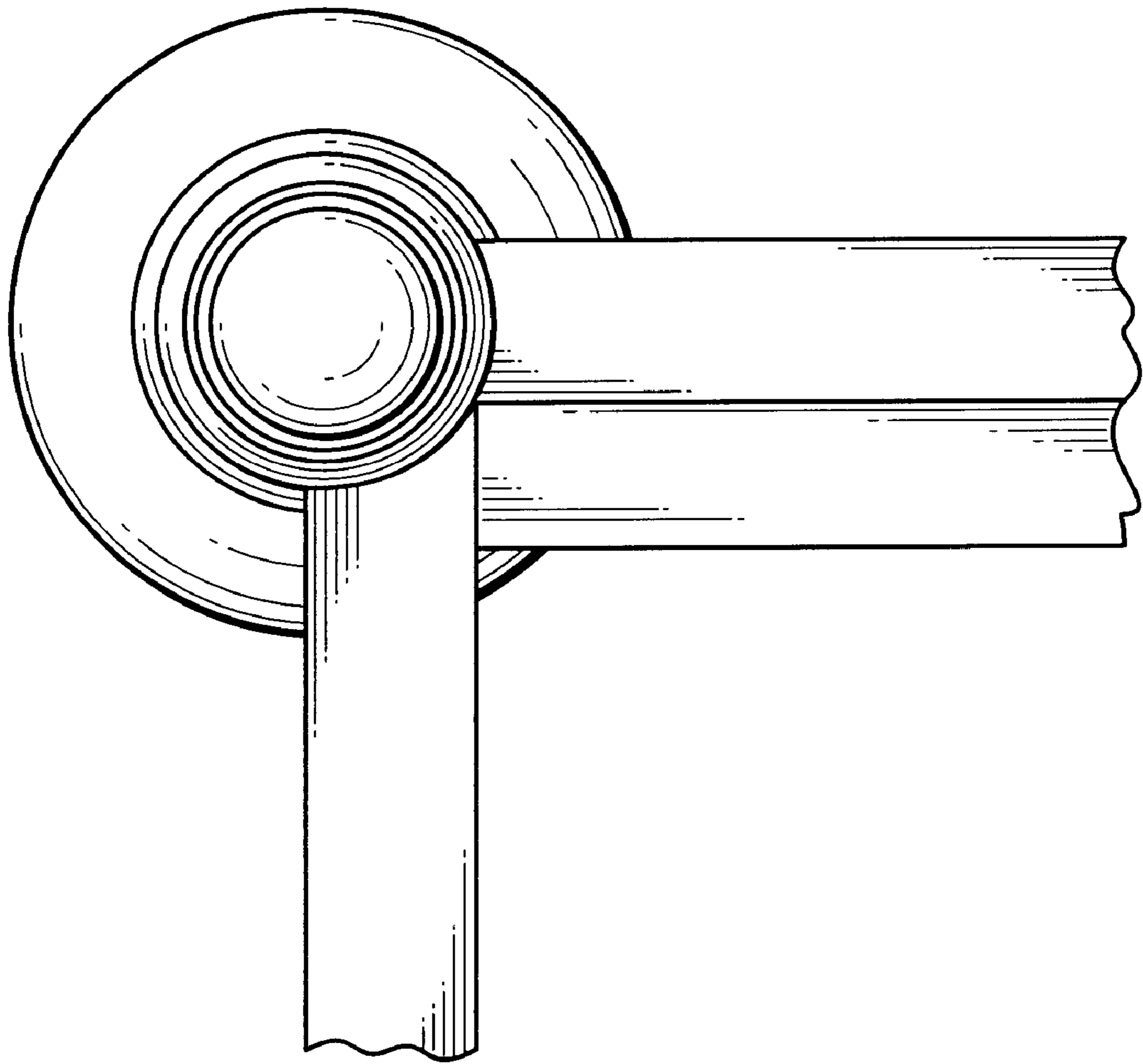


FIG. 8