



US00D429075S

United States Patent [19] Cone, II

[11] Patent Number: Des. 429,075

[45] Date of Patent: ** Aug. 8, 2000

[54] INFANT SEAT ASSEMBLY

4,943,113	7/1990	Meeker	297/256.16
4,958,887	9/1990	Meeker	297/256.17
5,322,343	6/1994	Parker et al.	297/183.3

[75] Inventor: Richard E. Cone, II, Athens, Ohio

[73] Assignee: Cosco, Inc., Columbus, Ind.

[**] Term: 14 Years

Primary Examiner—Doris V. Coles
Assistant Examiner—Mimosa De
Attorney, Agent, or Firm—Barnes & Thornburg

[21] Appl. No.: 29/094,355

[57] CLAIM

[22] Filed: Sep. 30, 1998

The ornamental design for an infant seat assembly, as shown and described.

Related U.S. Application Data

DESCRIPTION

[62] Division of application No. 29/030,677, Nov. 4, 1994, Pat. No. Des. 402,477.

FIG. 1 is a front elevational view of an infant seat assembly showing a first embodiment of my new design;
FIG. 2 is a side elevation view thereof;
FIG. 3 is a top plan view thereof;
FIG. 4 is a bottom view thereof;
FIG. 5 is a rear elevational view thereof;
FIG. 6 is a front elevational view of an infant seat assembly showing a second embodiment of my new design;
FIG. 7 is a side elevational view thereof;
FIG. 8 is a top plan view thereof;
FIG. 9 is a bottom view thereof; and,
FIG. 10 is a rear elevational view thereof.

[51] LOC (7) Cl. 06-01

[52] U.S. Cl. D6/333

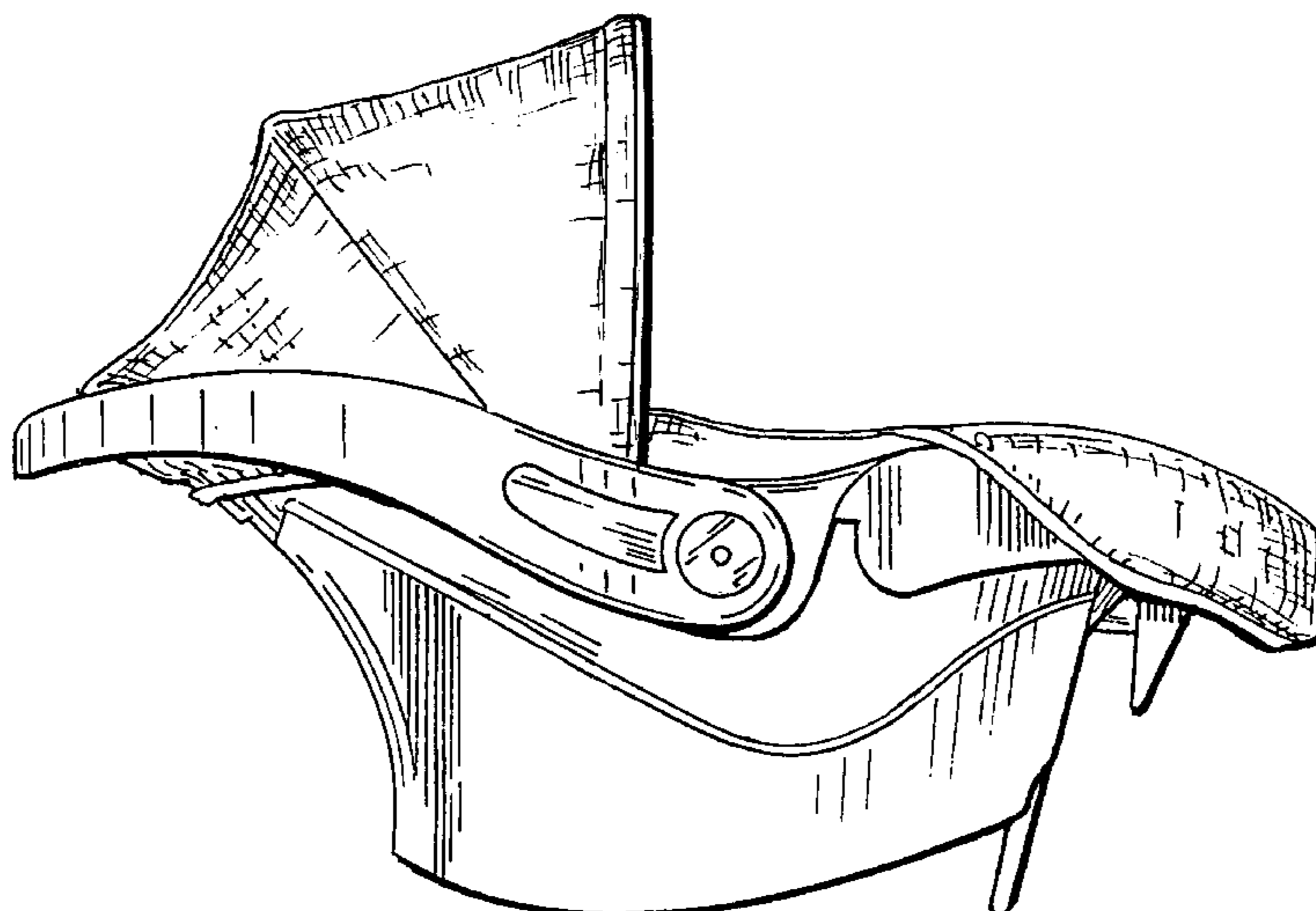
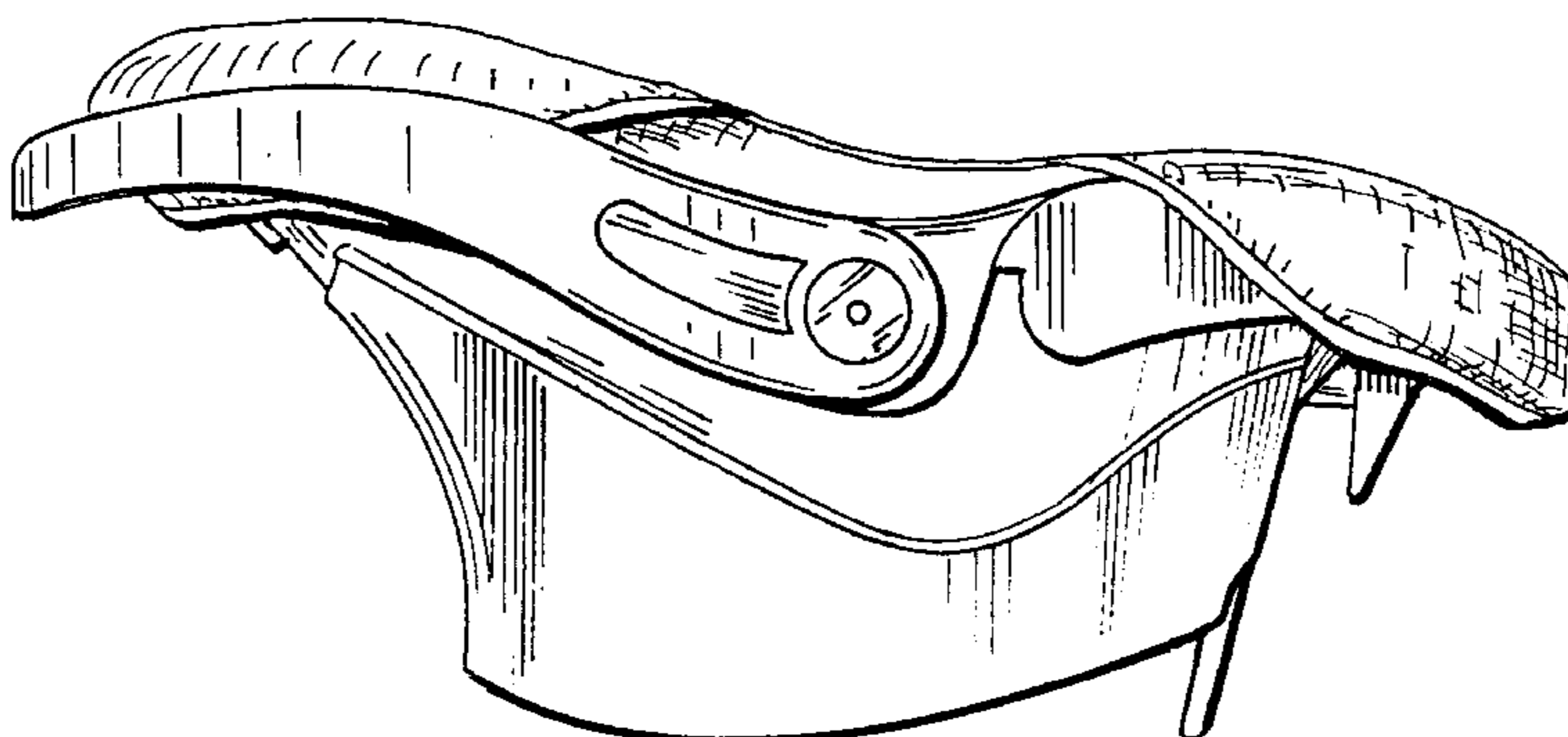
[58] Field of Search D6/333, 334, 335, D6/356, 390, 391, 500, 501, 502; 297/183, 183.1, 183.3, 184.13, 229, 256.17, 130; 5/94

[56] References Cited

U.S. PATENT DOCUMENTS

D. 402,477	12/1998	Cone, II	D6/333
1,363,667	12/1920	Mahr	5/94

1 Claim, 6 Drawing Sheets



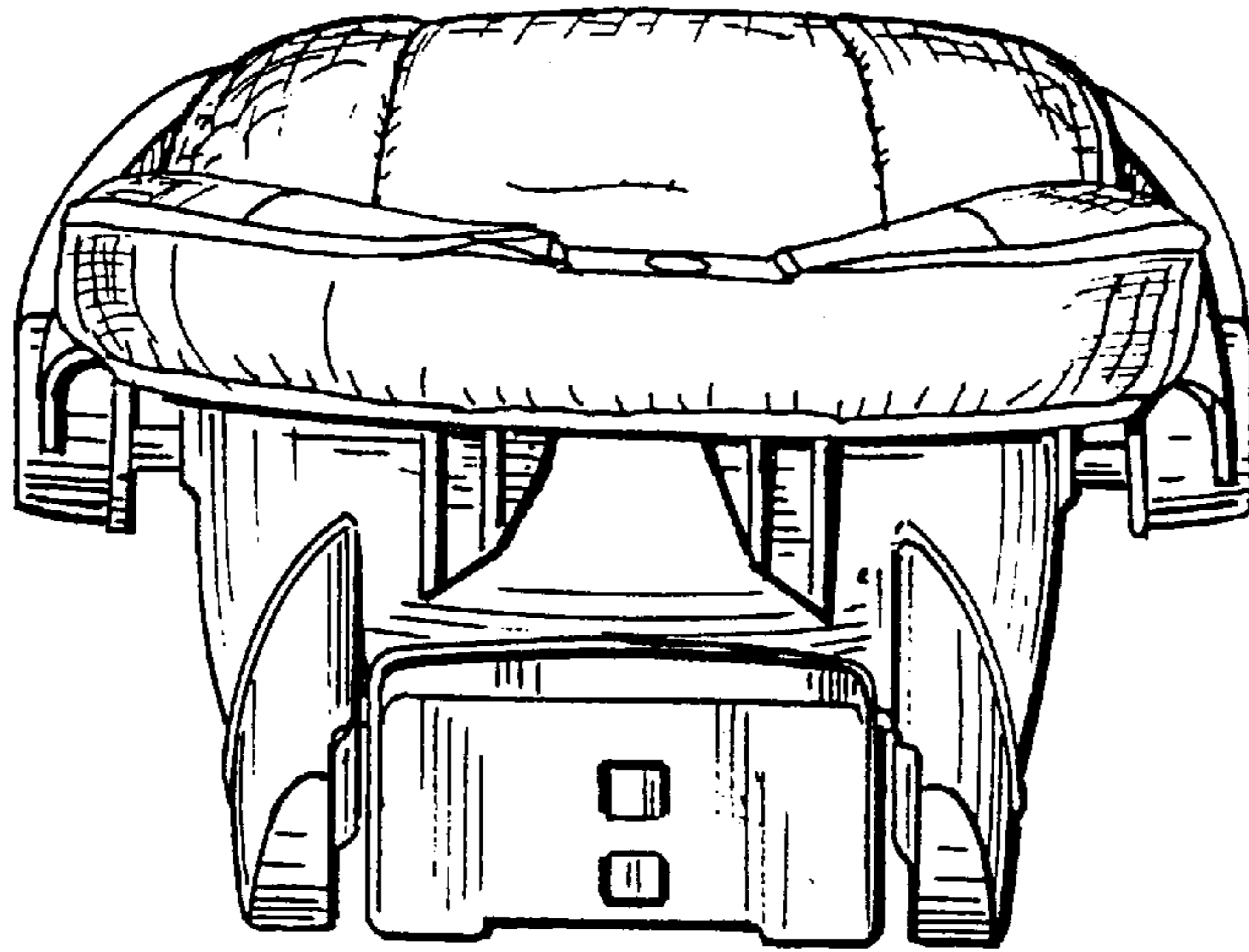


FIG. 1

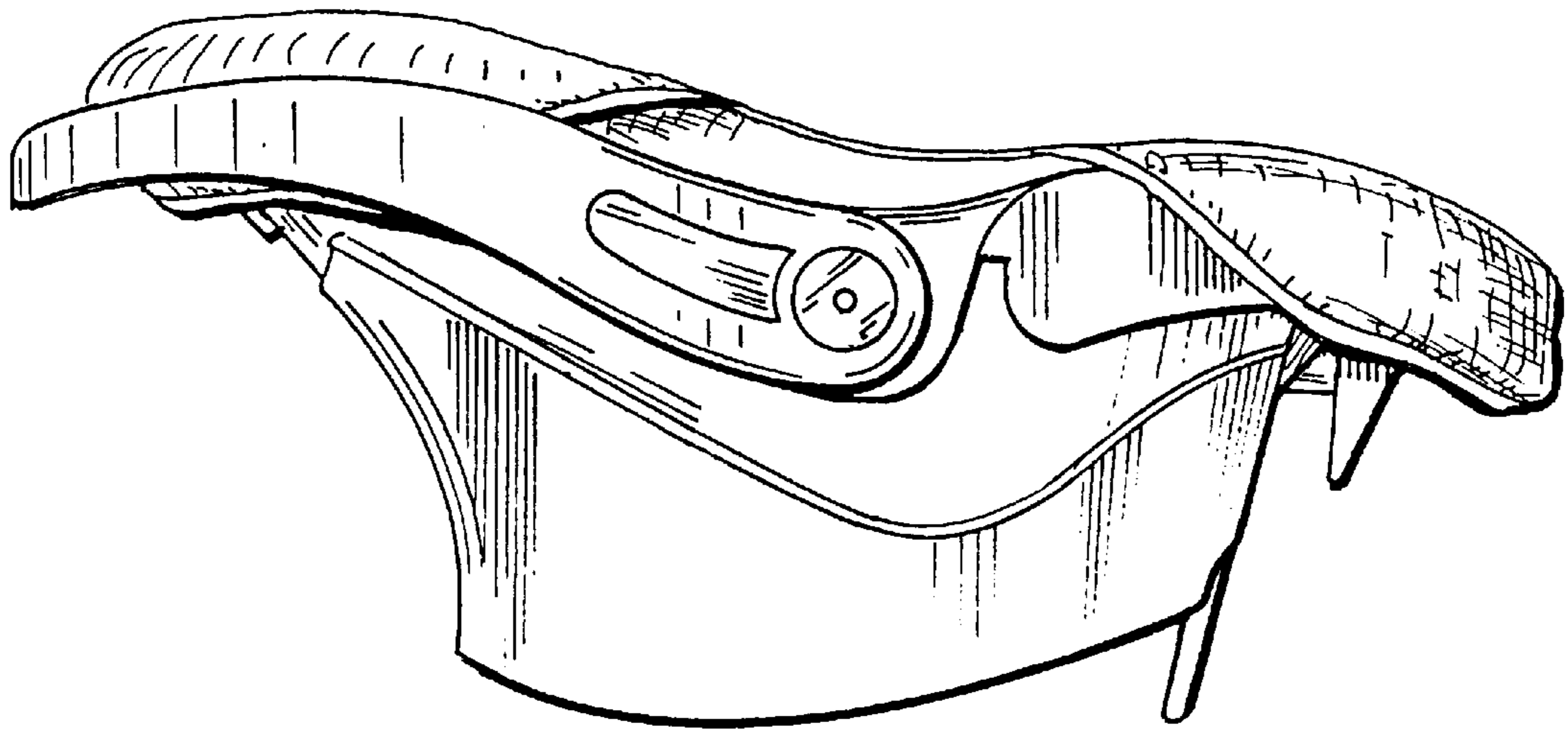


FIG. 2

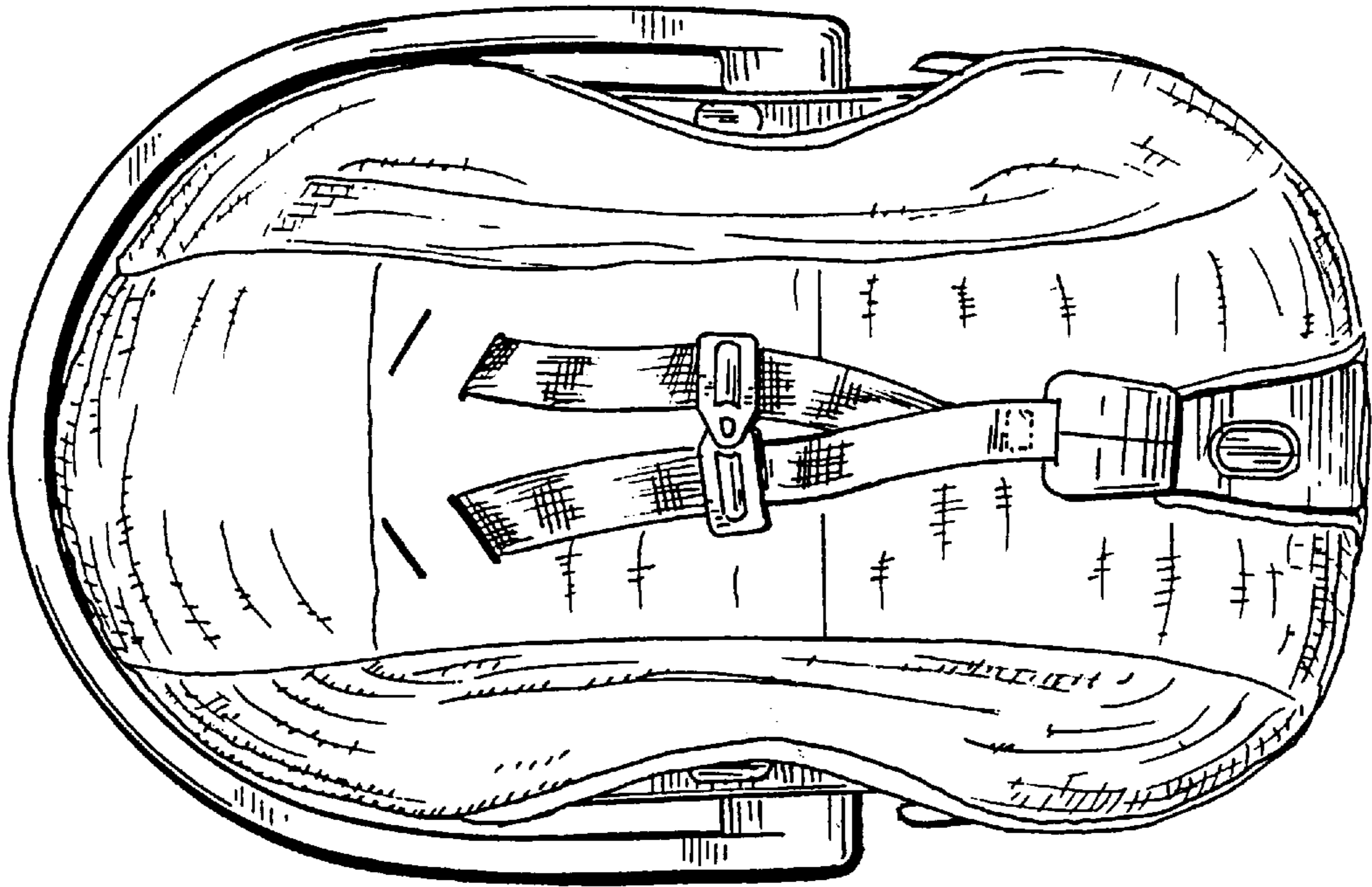


FIG. 3

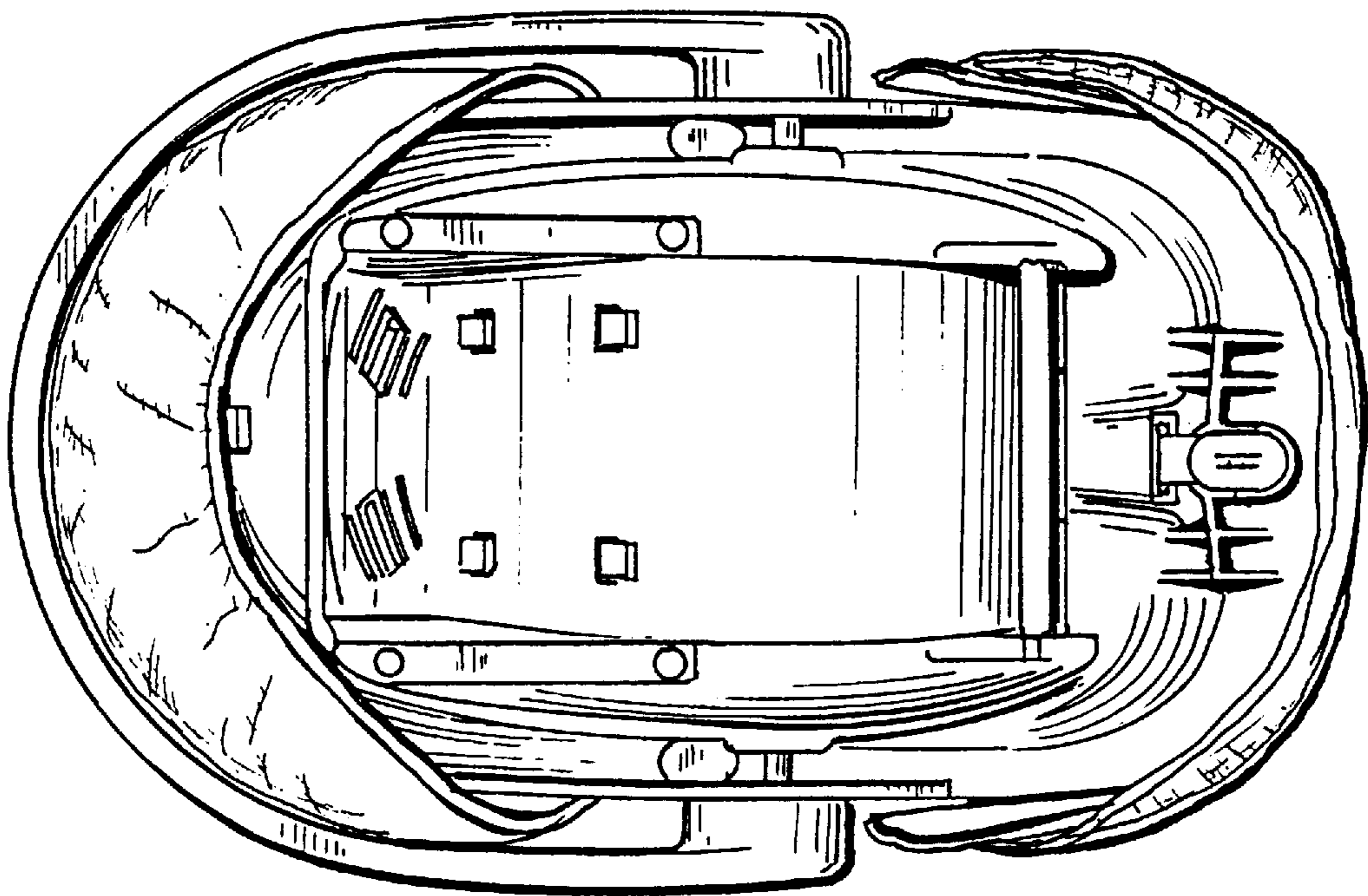


FIG. 4

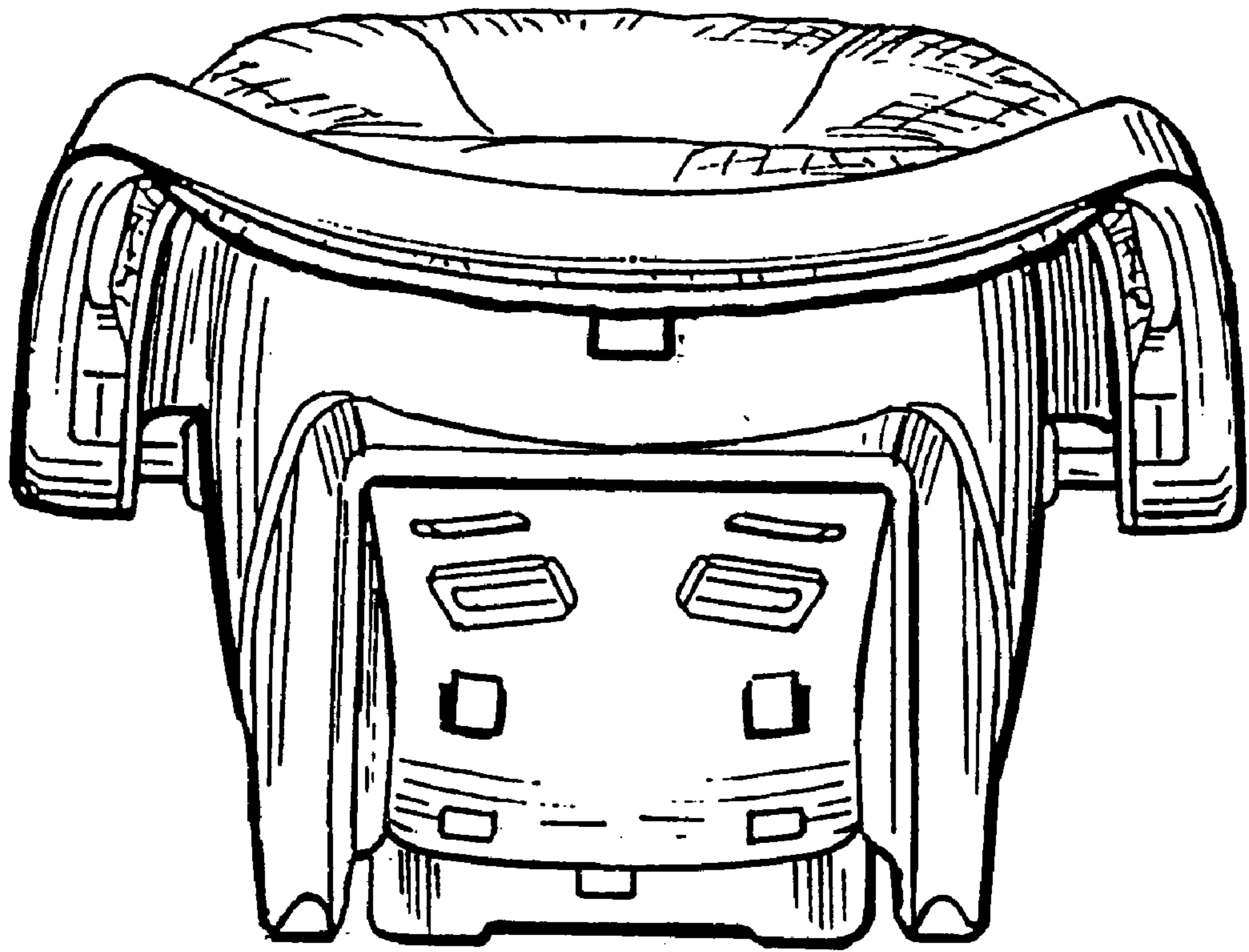


FIG. 5

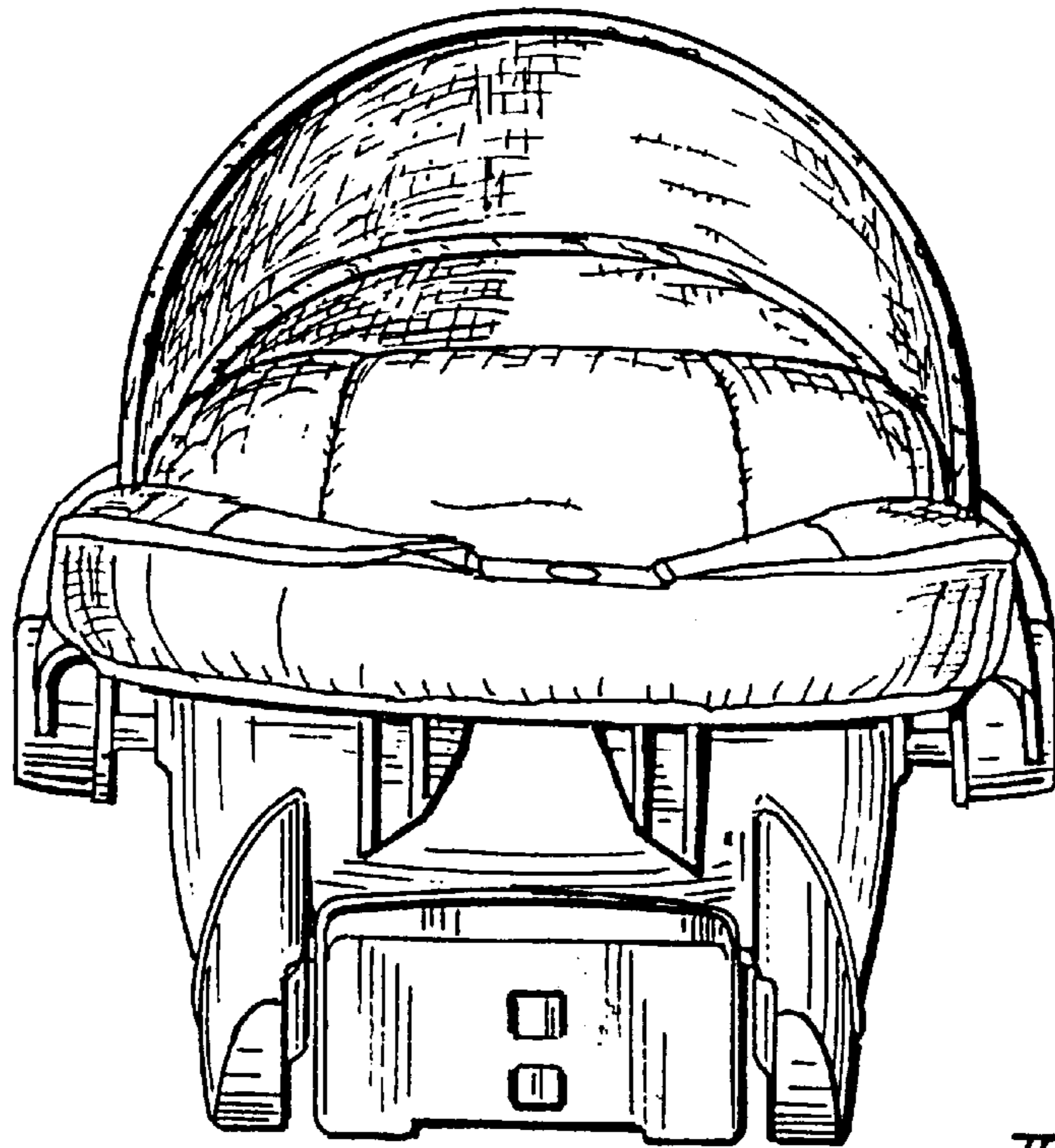


FIG. 6

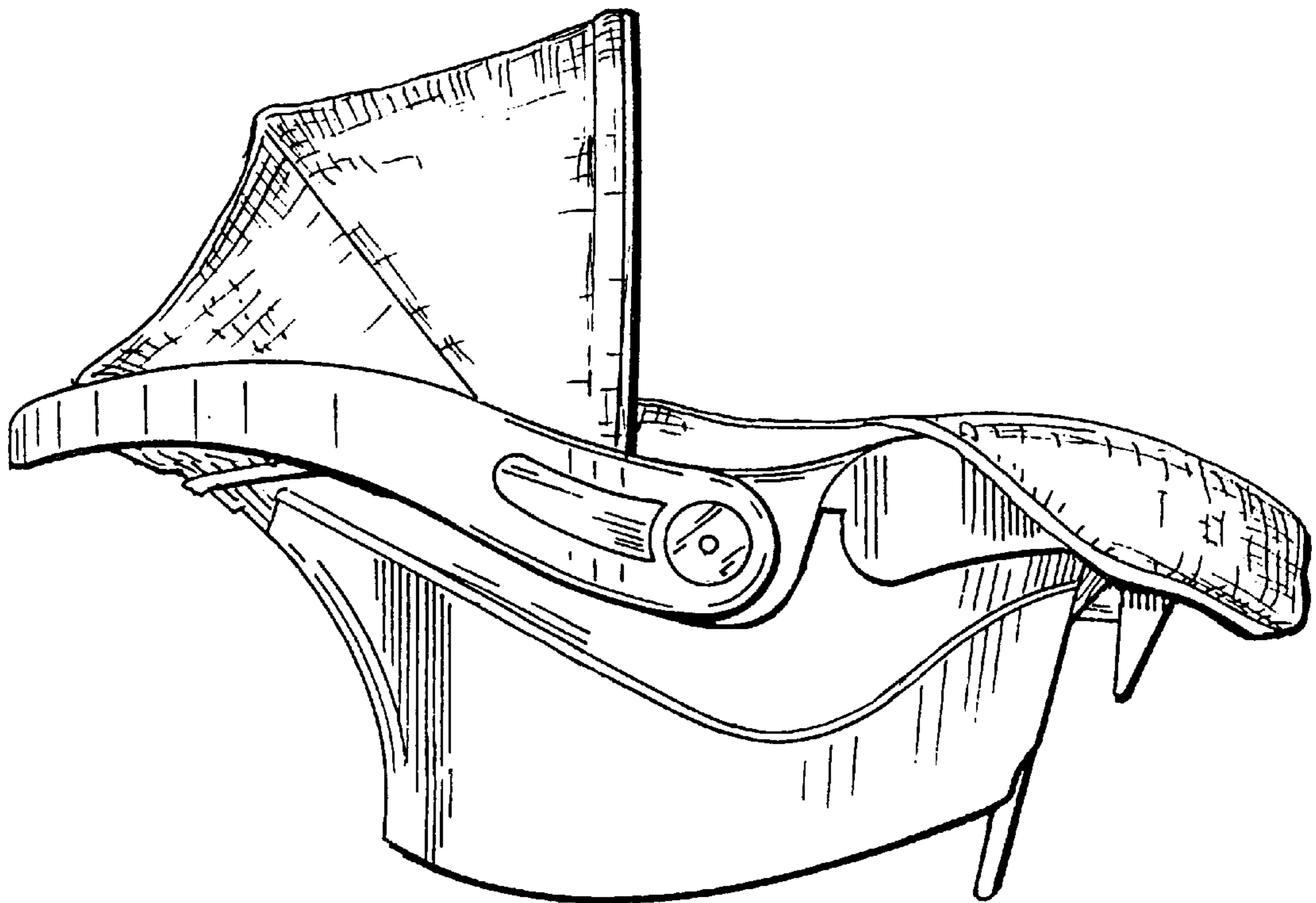


FIG. 7

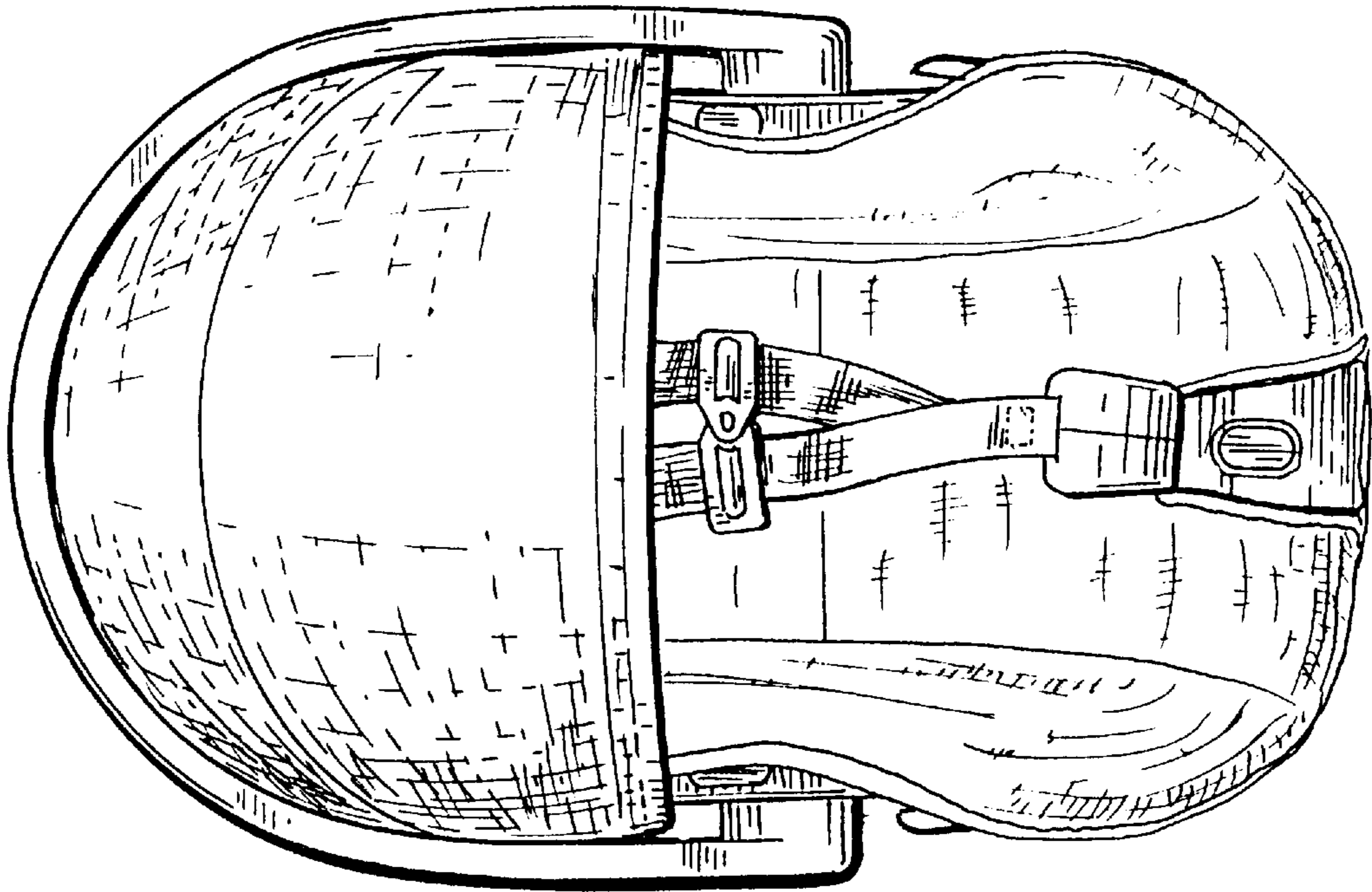


FIG. 8

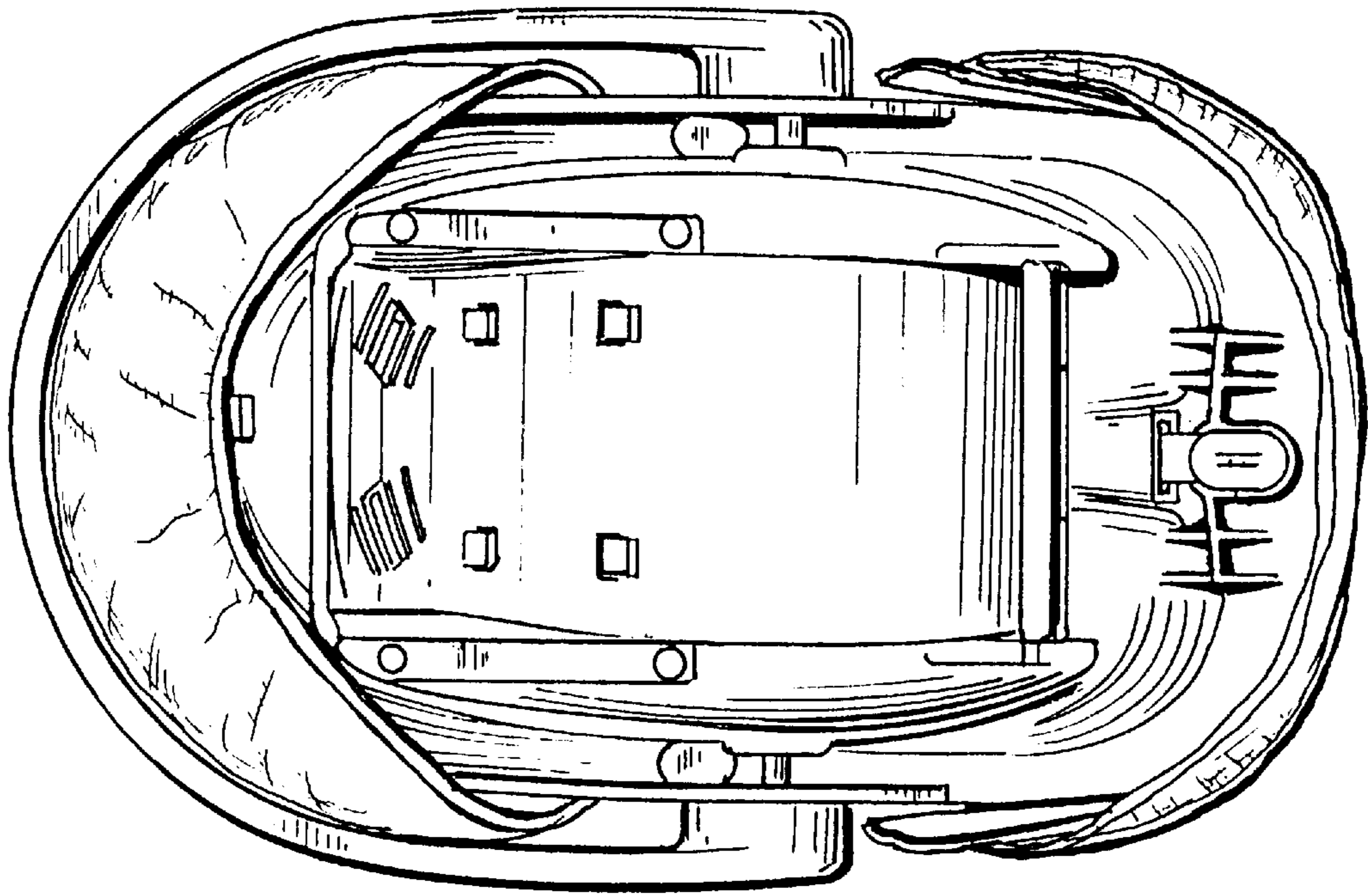


FIG. 9

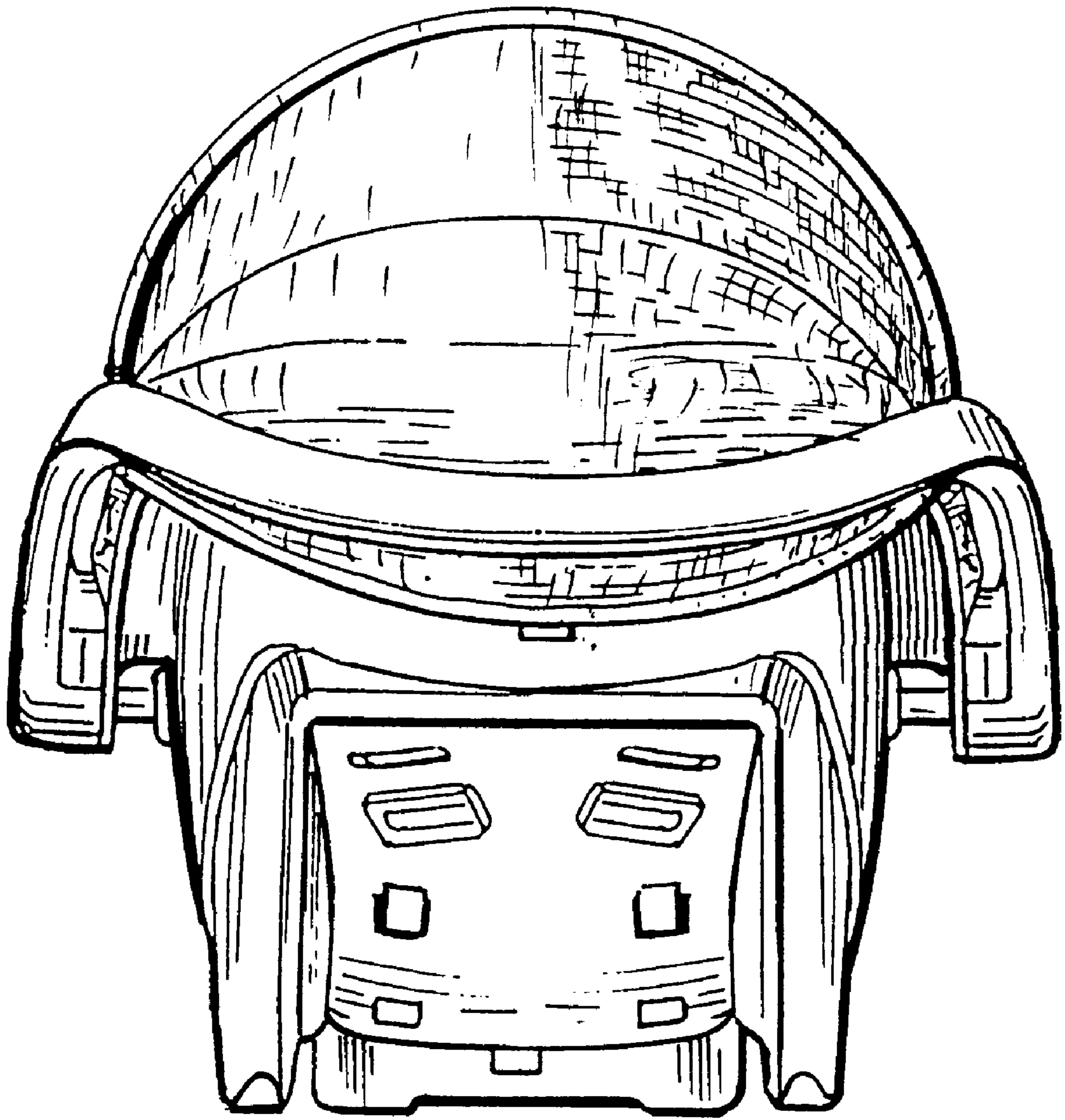


FIG. 10