



US00D429073S

United States Patent [19]

Kessel et al.

[11] Patent Number: **Des. 429,073**

[45] Date of Patent: **** Aug. 8, 2000**

[54] PAINT BRUSH CLIP

4,821,361	4/1989	Meimeteas	15/246
5,145,226	9/1992	La Fontaine	294/27.1
5,413,296	5/1995	La Fontaine	248/210

[76] Inventors: **Brandi A. Kessel**, 1423 Washington Ave. #2, Santa Monica, Calif. 90403; **Frank DiMarco**, 445 Sherman Canal, Venice, Calif. 90291; **Andrea Eve DiMarco**, 61 Montezuma St., San Francisco, Calif. 94110

Primary Examiner—Alan P. Douglas
Assistant Examiner—Lavone Tabor
Attorney, Agent, or Firm—Cislo & Thomas LLP

[**] Term: **14 Years**

[57] **CLAIM**

The ornamental design for a paint brush clip, as shown and described.

[21] Appl. No.: **29/089,304**

DESCRIPTION

[22] Filed: **Jun. 12, 1998**

[51] LOC (7) Cl. **04-99**

[52] U.S. Cl. **D4/199**

[58] Field of Search D4/199; D32/54;
15/246, DIG. 4, 174, 175; 211/65, 66; 220/697,
700; 248/113

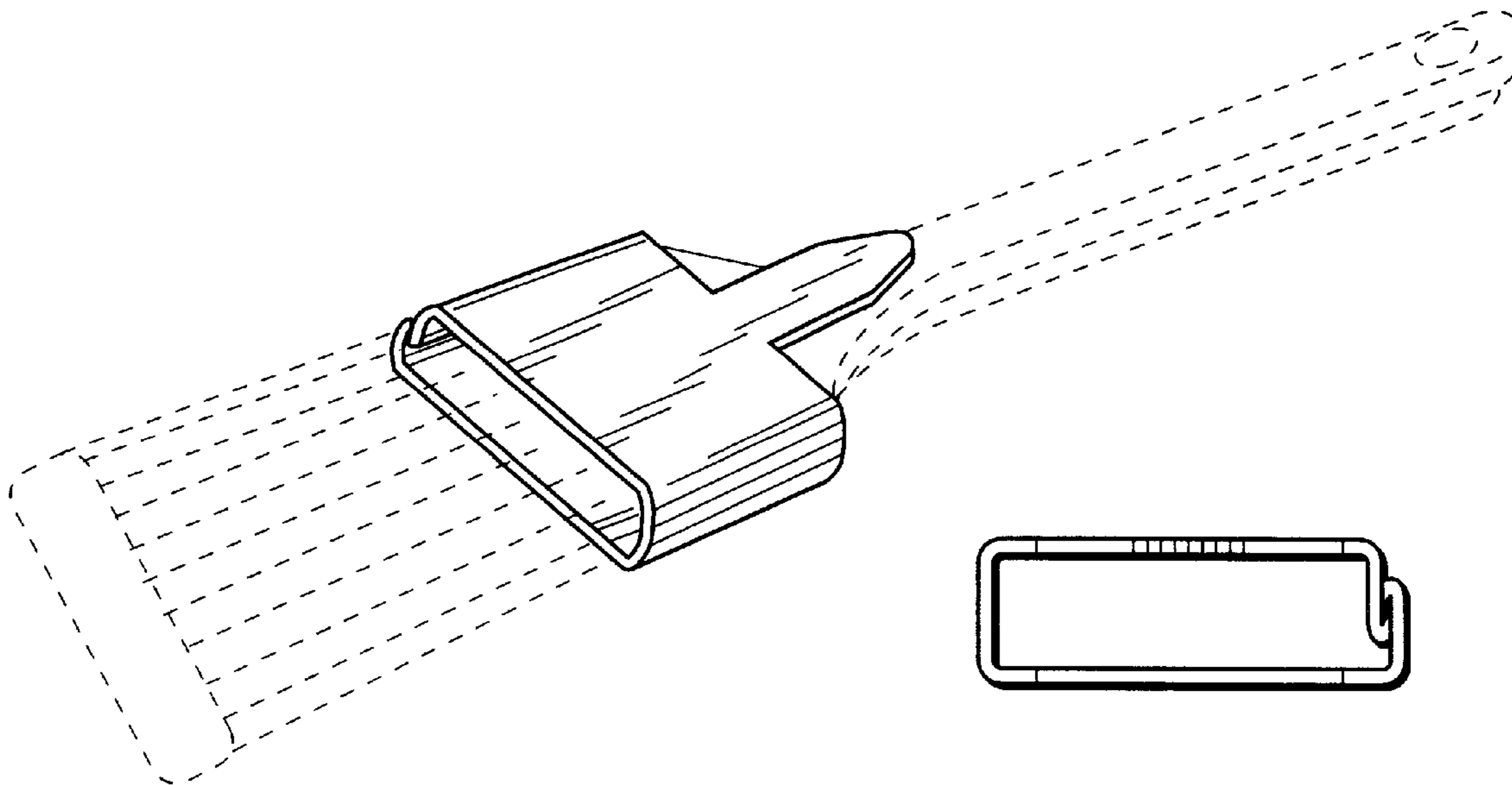
FIG. 1 is a perspective view of our paint brush clip with the paint brush being shown in dotted lines for illustrative purposes only and forms no part of the claimed design. FIG. 2 is a front view thereof; FIG. 3 is a back view thereof; FIG. 4 is a right side elevational view thereof; FIG. 5 is a left side elevational view thereof; FIG. 6 is a bottom view thereof; FIG. 7 is a top view thereof; and, FIG. 8 is a sectional view taken along the line 8—8 of FIG. 3.

[56] **References Cited**

U.S. PATENT DOCUMENTS

2,309,990	2/1943	Savi	15/174
2,553,453	5/1951	Heckman	15/246
4,266,686	5/1981	Carter	220/90
4,757,568	7/1988	Jones	15/246 X

1 Claim, 1 Drawing Sheet



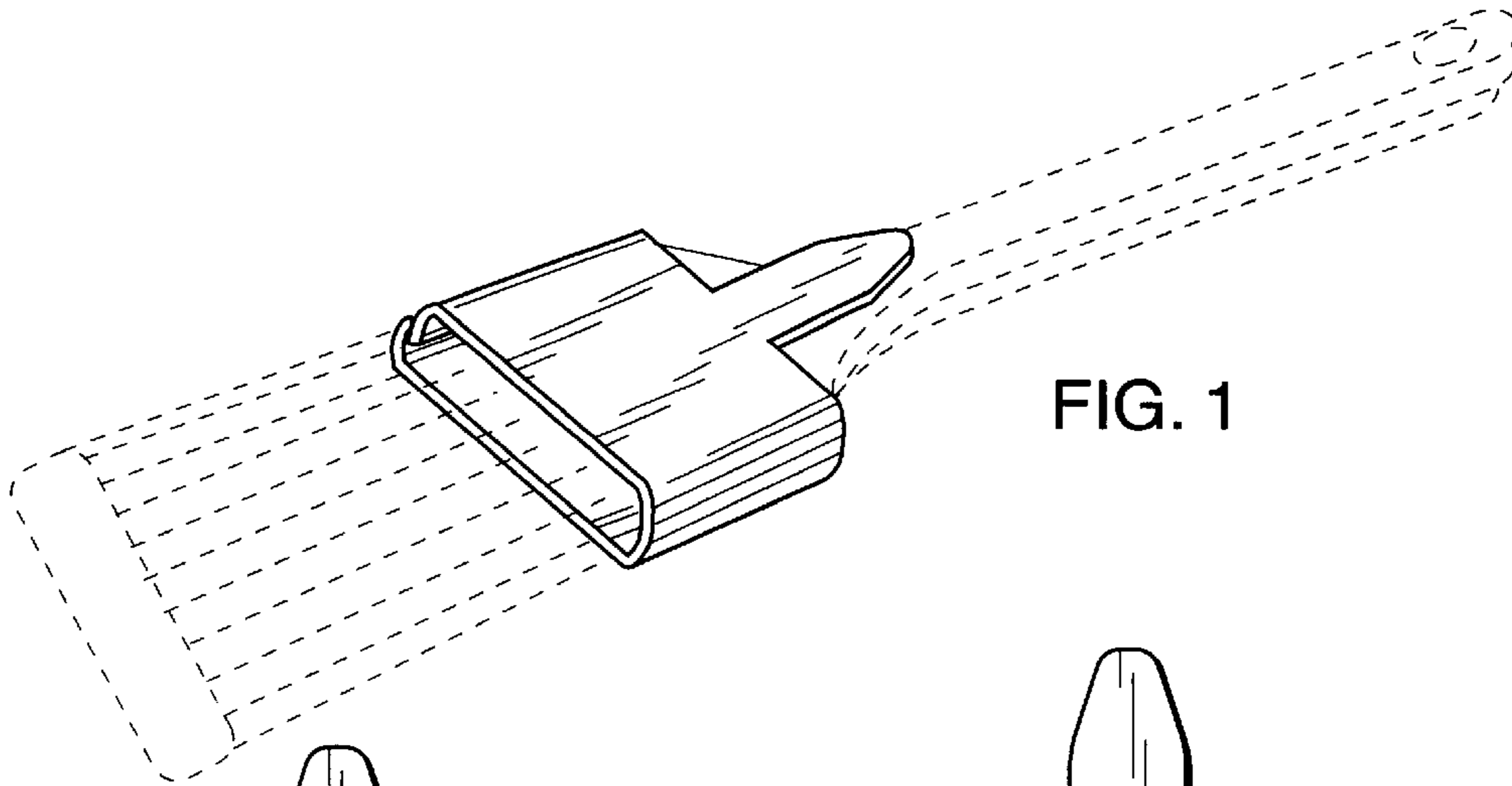


FIG. 1

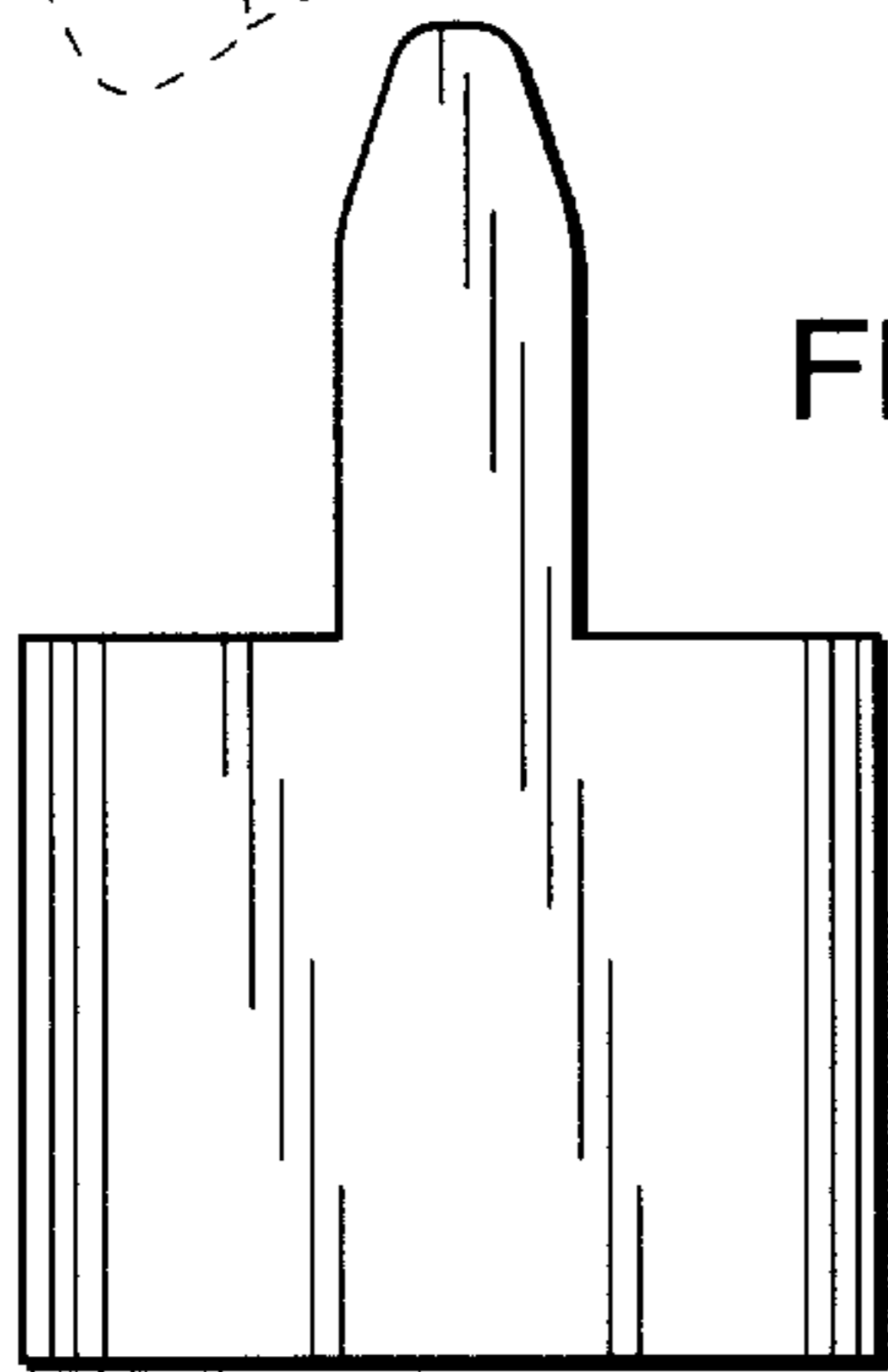


FIG. 2

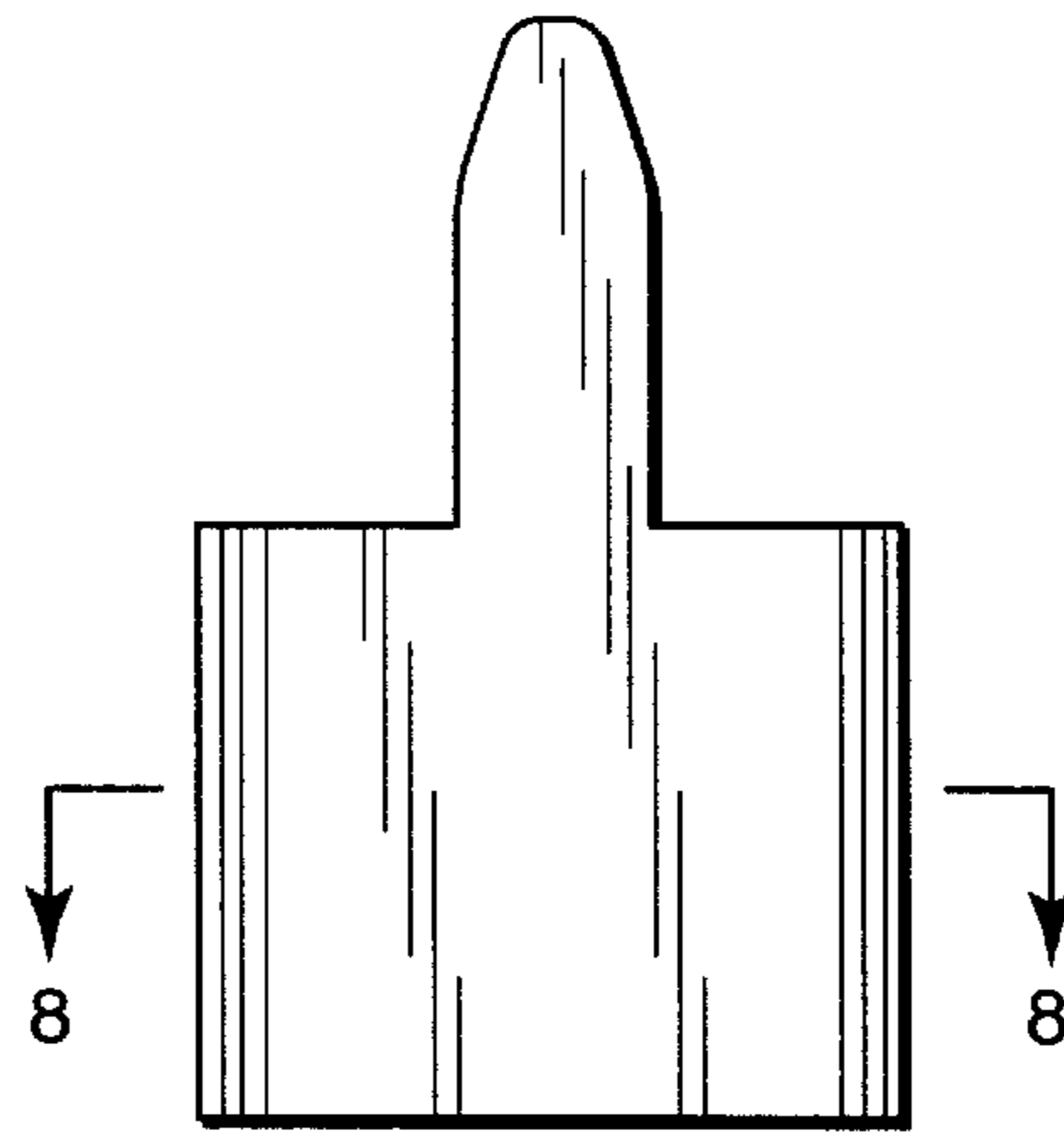


FIG. 3

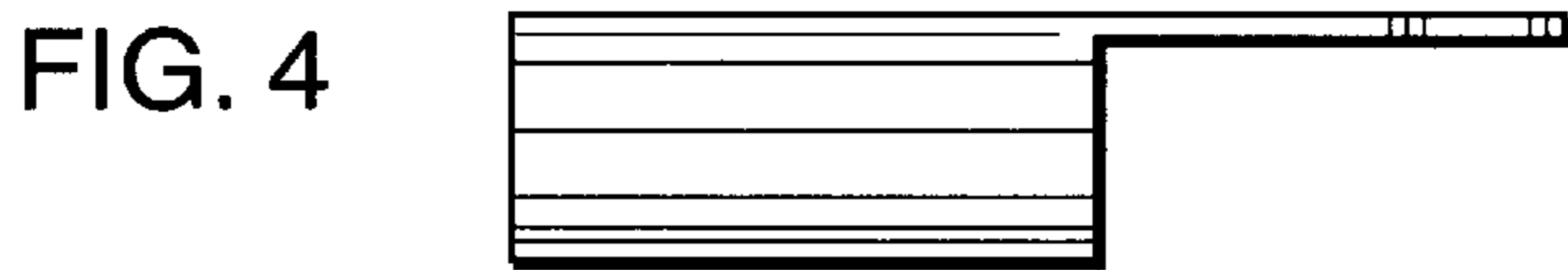


FIG. 4

FIG. 5

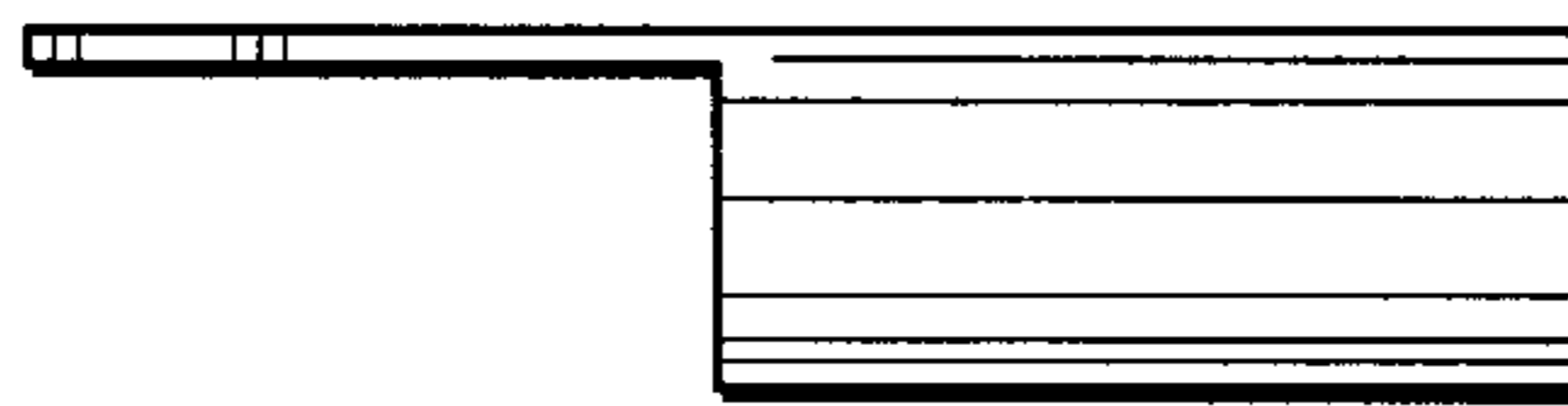


FIG. 6



FIG. 7

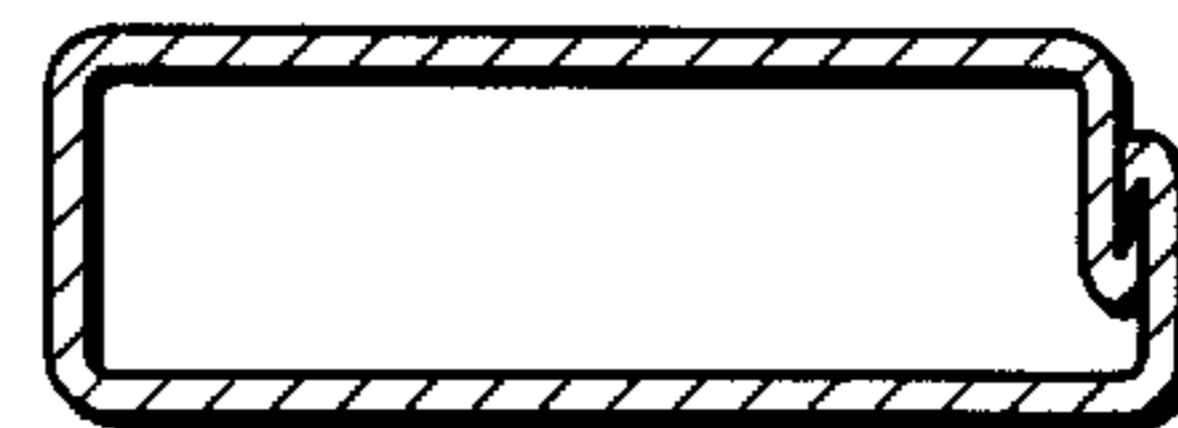


FIG. 8