



US00D429071S

United States Patent [19] Hurt

[11] **Patent Number: Des. 429,071**

[45] **Date of Patent: ** Aug. 8, 2000**

[54] **TOOL ORGANIZER**

[75] Inventor: **Daniel P. Hurt**, Edina, Minn.

[73] Assignee: **Product Marketing Junction, Inc.**, Hopkins, Minn.

[**] Term: **14 Years**

[21] Appl. No.: **29/108,220**

[22] Filed: **Jul. 22, 1999**

[51] **LOC (7) Cl.** **03-01**

[52] **U.S. Cl.** **D3/315**

[58] **Field of Search** D34/12-27; 280/47.19, 280/47.28, 639, 652, 47.29, 33.992; D3/315; 211/70.6, 60.1, 90; D6/400, 405, 416, 465, 479

[56] **References Cited**

U.S. PATENT DOCUMENTS

D. 283,946 5/1986 Chase D3/315

D. 369,037 4/1996 Wyatt et al. D6/465
4,947,998 8/1990 Smeller 211/70.6
5,810,177 9/1998 Cabiran 211/70.6
5,833,250 11/1998 Schier et al. 280/47.19

Primary Examiner—Louis S. Zarfes
Assistant Examiner—Catherine R. Oliver
Attorney, Agent, or Firm—Haugen Law Firm PLLP

[57] **CLAIM**

The ornamental design for the tool organizer, as shown and described.

DESCRIPTION

FIG. 1 is a perspective view of the tool organizer design; FIG. 2 is a front elevational view of the design; FIG. 3 is a side elevational view of the design, with the opposite side being a mirror image thereof; FIG. 4 is a rear perspective view of the design; FIG. 5 is a top plan view of the design; and, FIG. 6 is a bottom plan view of the design.

1 Claim, 4 Drawing Sheets

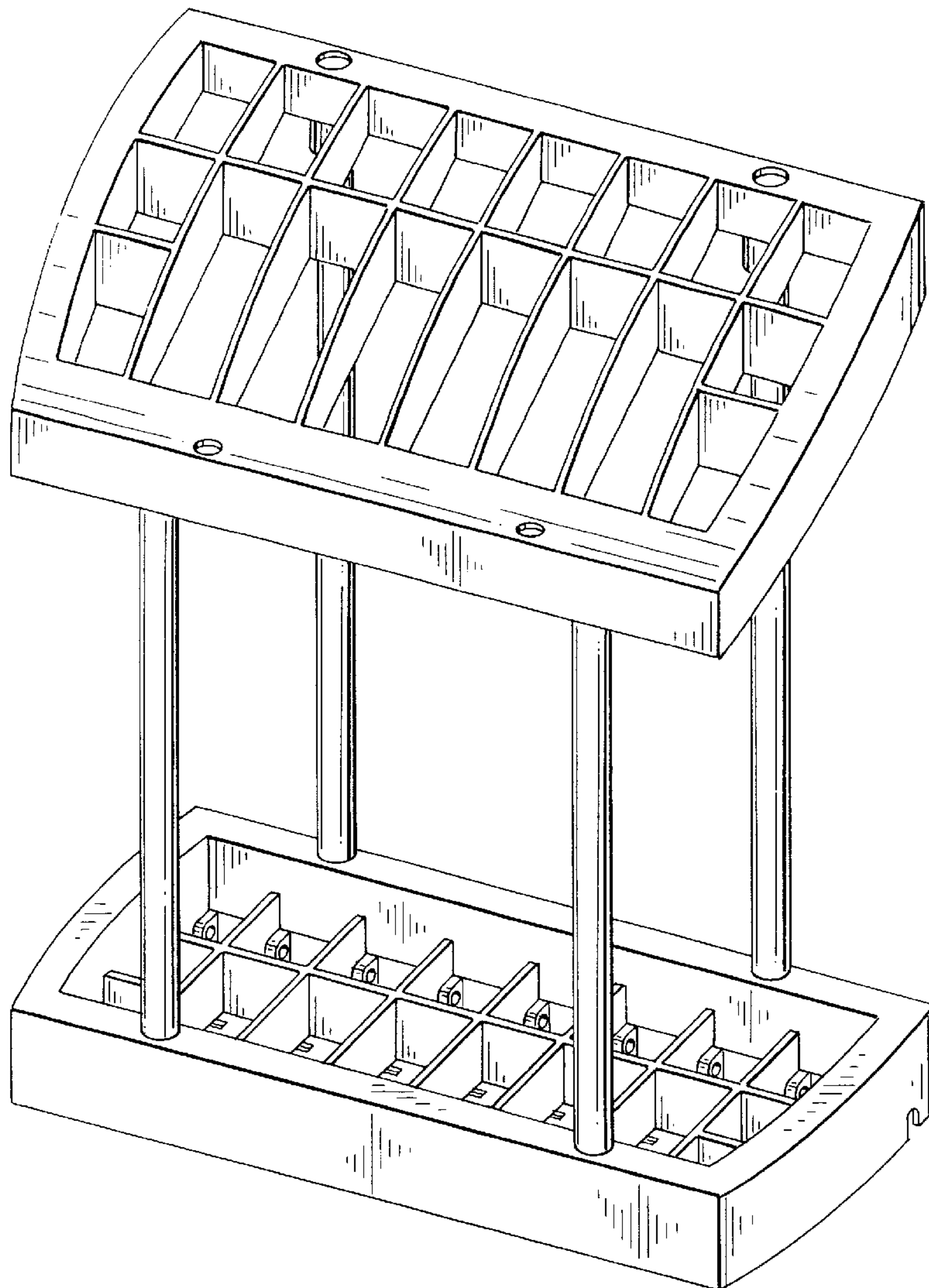


Fig.-1

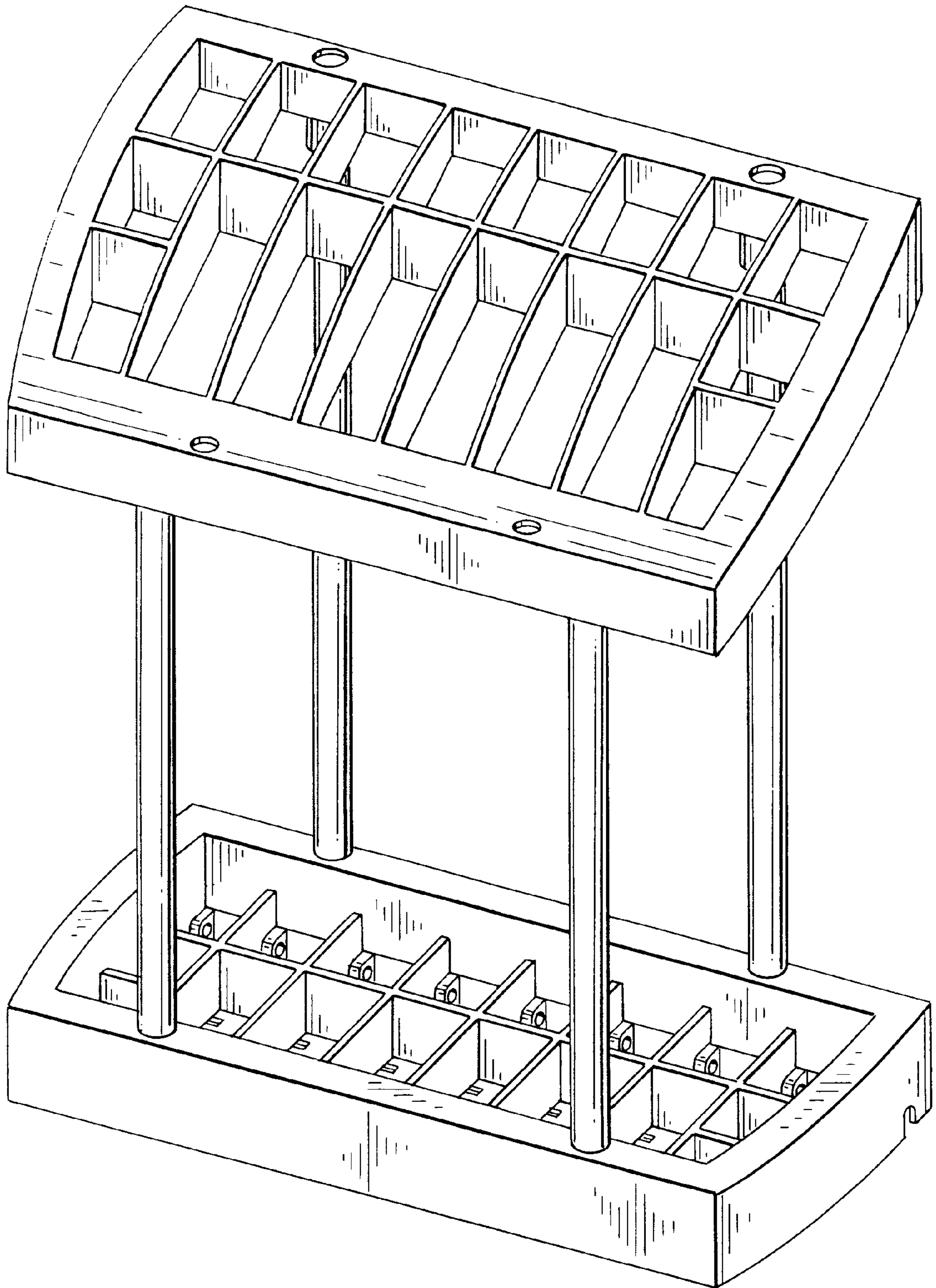


Fig.-3

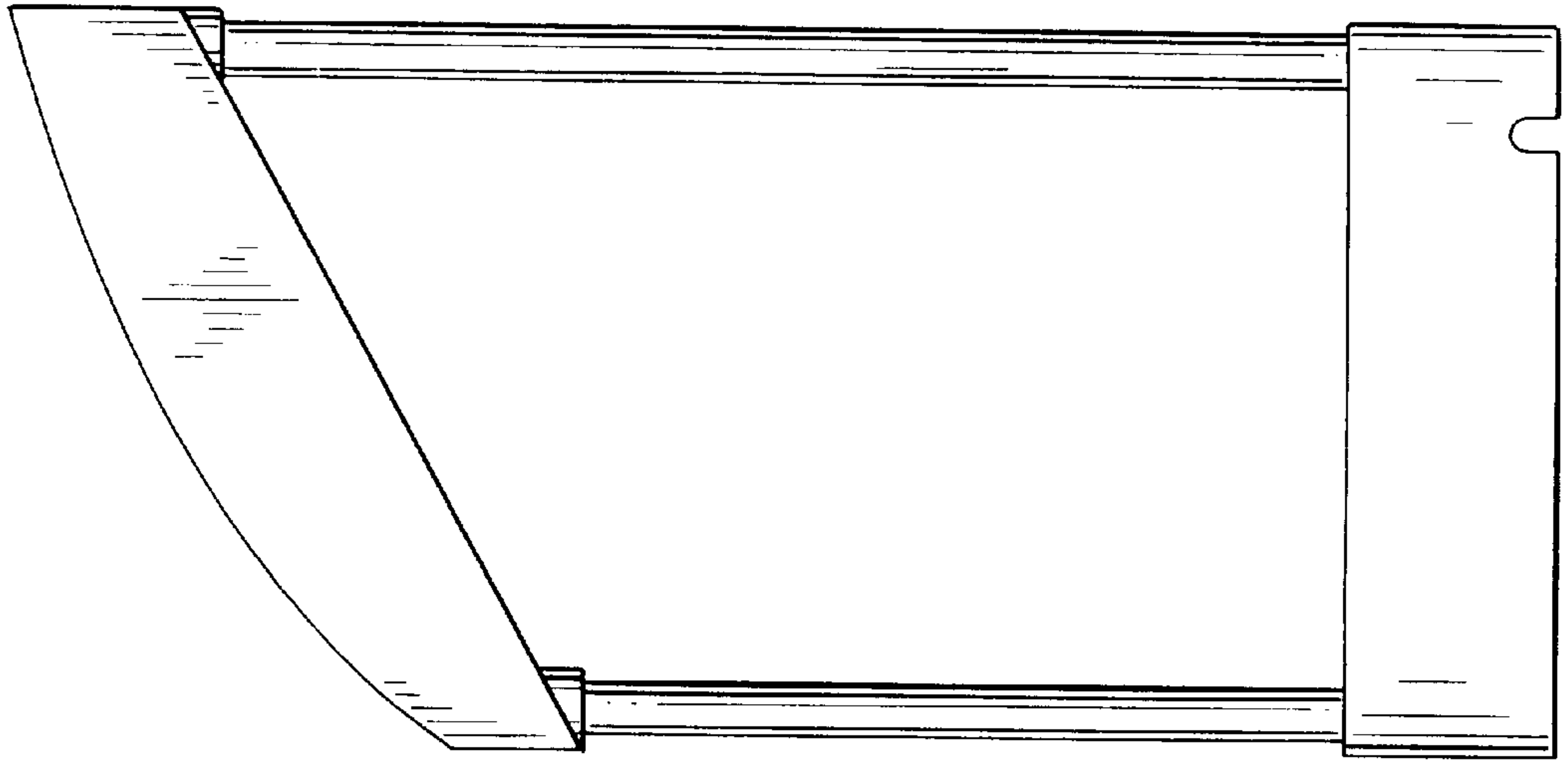


Fig.-2

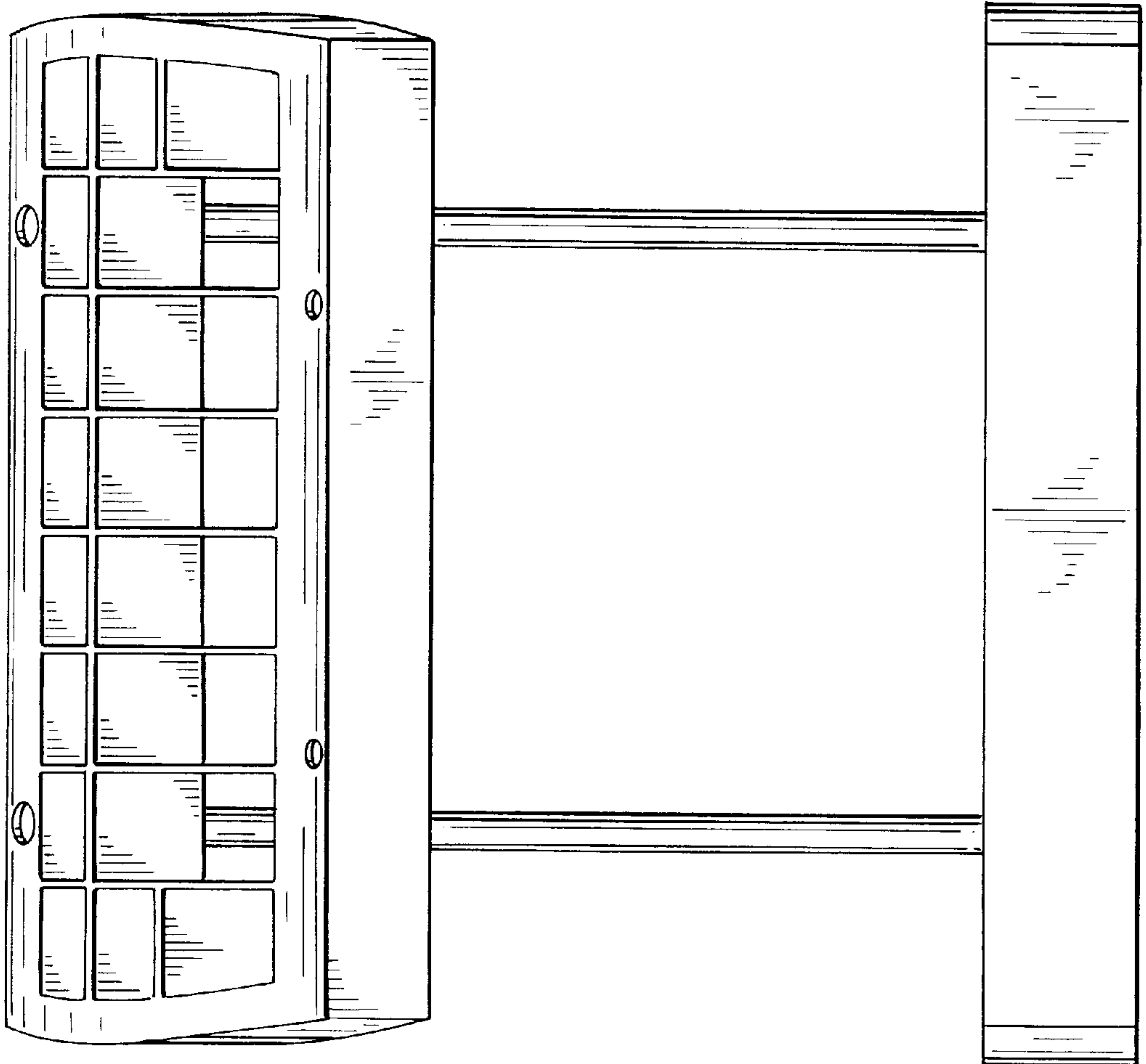


Fig. -4

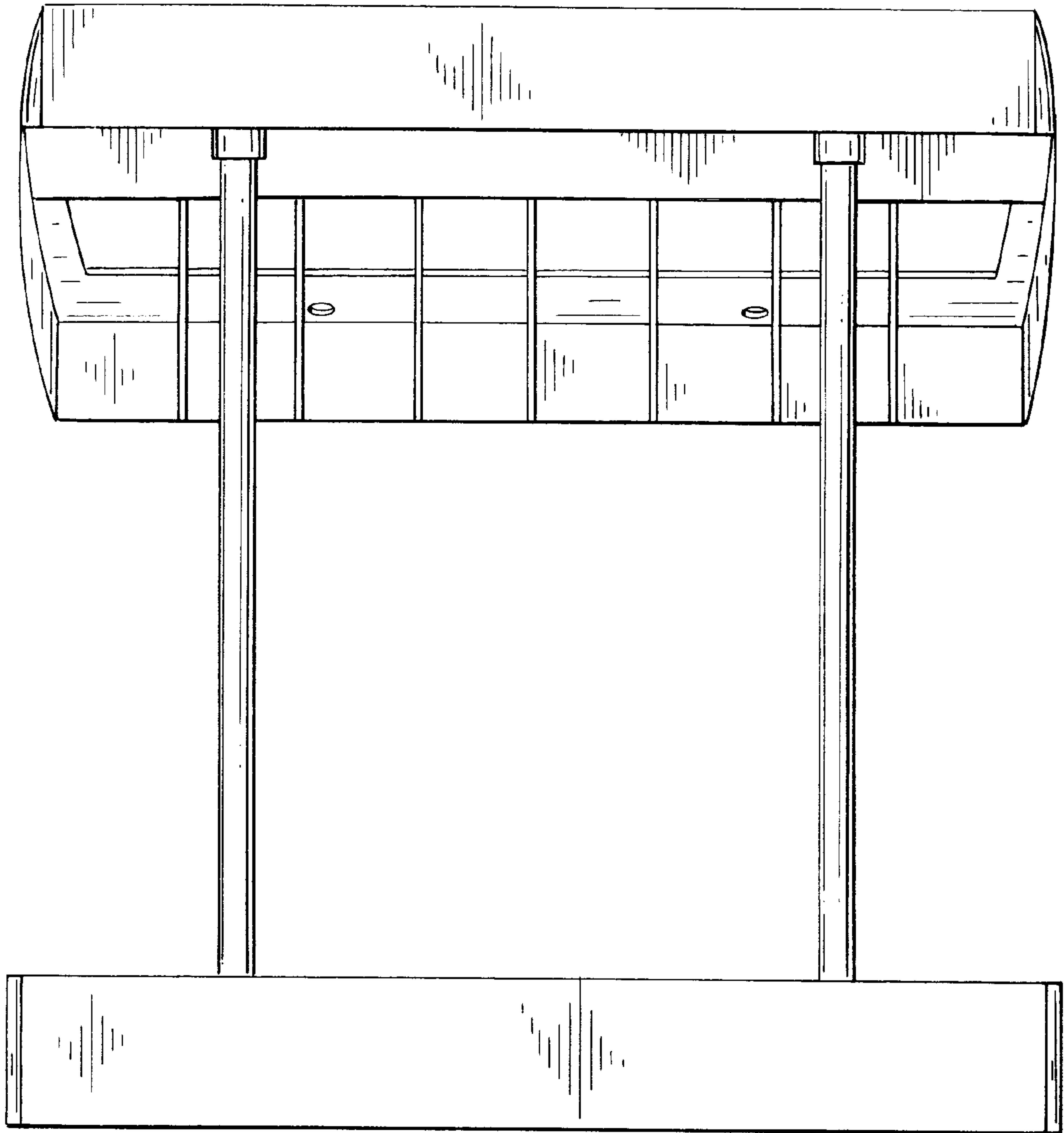


Fig. -5

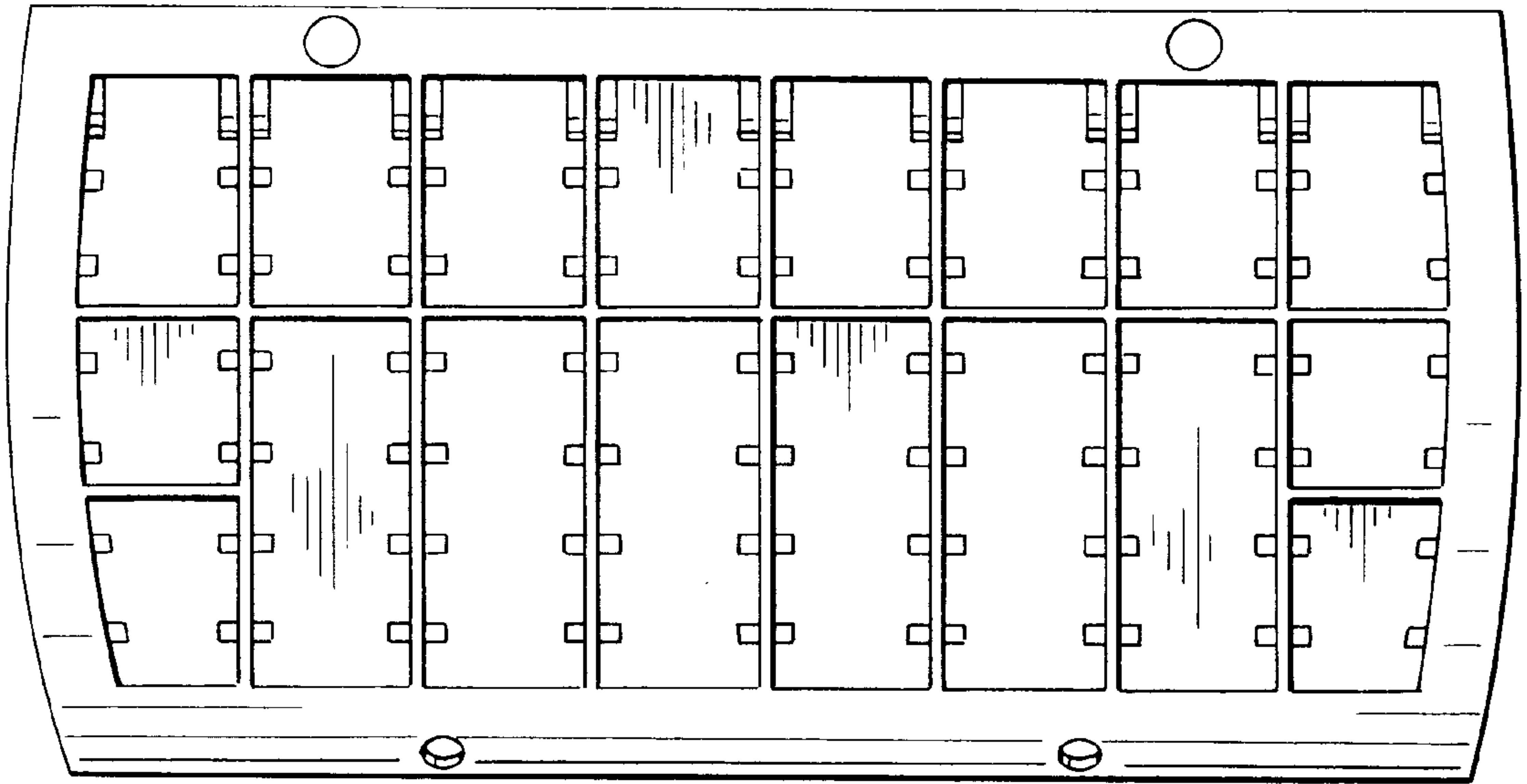


Fig. -6

