



US00D429070S

United States Patent [19]
Marshall

[11] **Patent Number: Des. 429,070**

[45] **Date of Patent: ** Aug. 8, 2000**

[54] **RECEPTACLE HAVING DIMPLE SURFACES FOR RETAINING GOLF BALLS**

D. 363,817 11/1995 Beckwith D3/270
D. 391,761 3/1998 Lee D3/294

[76] Inventor: **James S. Marshall**, 1341 Pebble Springs La., Glendora, Calif. 91741

Primary Examiner—Philip S. Hyder
Attorney, Agent, or Firm—Thomas I. Rozsa; Tony D. Chen; Jerry Fong

[**] Term: **14 Years**

[57] **CLAIM**

[21] Appl. No.: **29/112,012**

The ornamental design for a receptacle having dimple surfaces for retaining golf balls, as shown and described.

[22] Filed: **Oct. 7, 1999**

DESCRIPTION

[51] **LOC (7) Cl.** **03-01**

[52] **U.S. Cl.** **D3/294; D28/83; D9/420**

[58] **Field of Search** D3/273, 270, 294, D3/903; D9/420, 423, 424; D7/604, 607, 628; D28/83; 206/315.1

FIG. 1 is a perspective view of a receptacle having dimple surfaces for retaining golf balls shown in its opened condition, showing my new design;

FIG. 2 is a perspective view of a receptacle having dimple surfaces for retaining golf balls shown in its closed condition, showing my new design;

FIG. 3 is a front elevational view, the rear being identical; FIG. 4 is a side elevational view, the other side being identical; and

FIG. 5 is a top plan view; and,

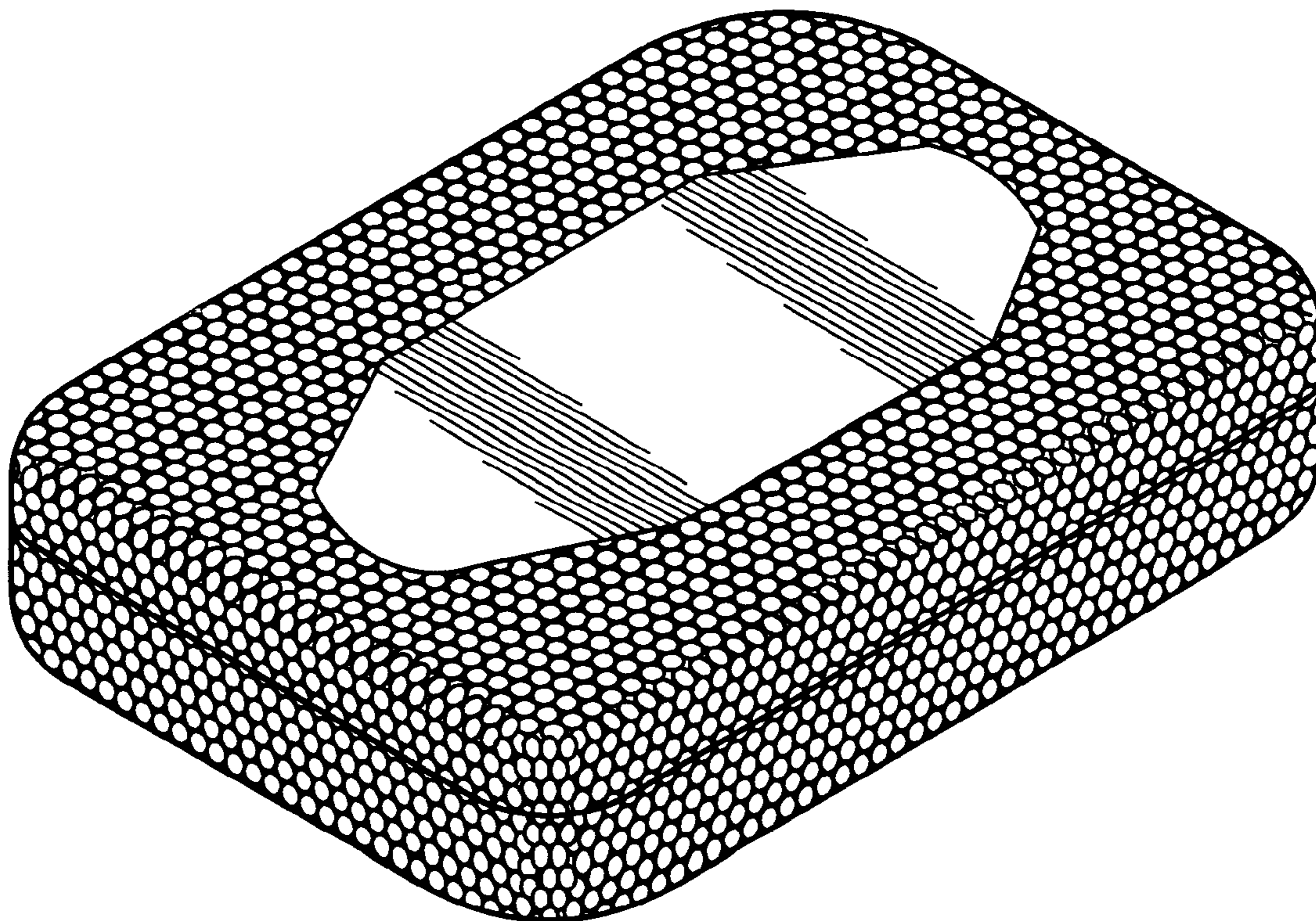
FIG. 6 is a bottom plan view.

[56] **References Cited**

U.S. PATENT DOCUMENTS

D. 209,629	12/1967	Brockway	D9/420
D. 285,177	8/1986	Goetz	D9/420
D. 292,175	10/1987	Wolf	D9/420
D. 304,099	10/1989	Bakic	D28/83
D. 314,146	1/1991	Scholz	D9/420
D. 340,541	10/1993	Chen	D28/83

1 Claim, 2 Drawing Sheets



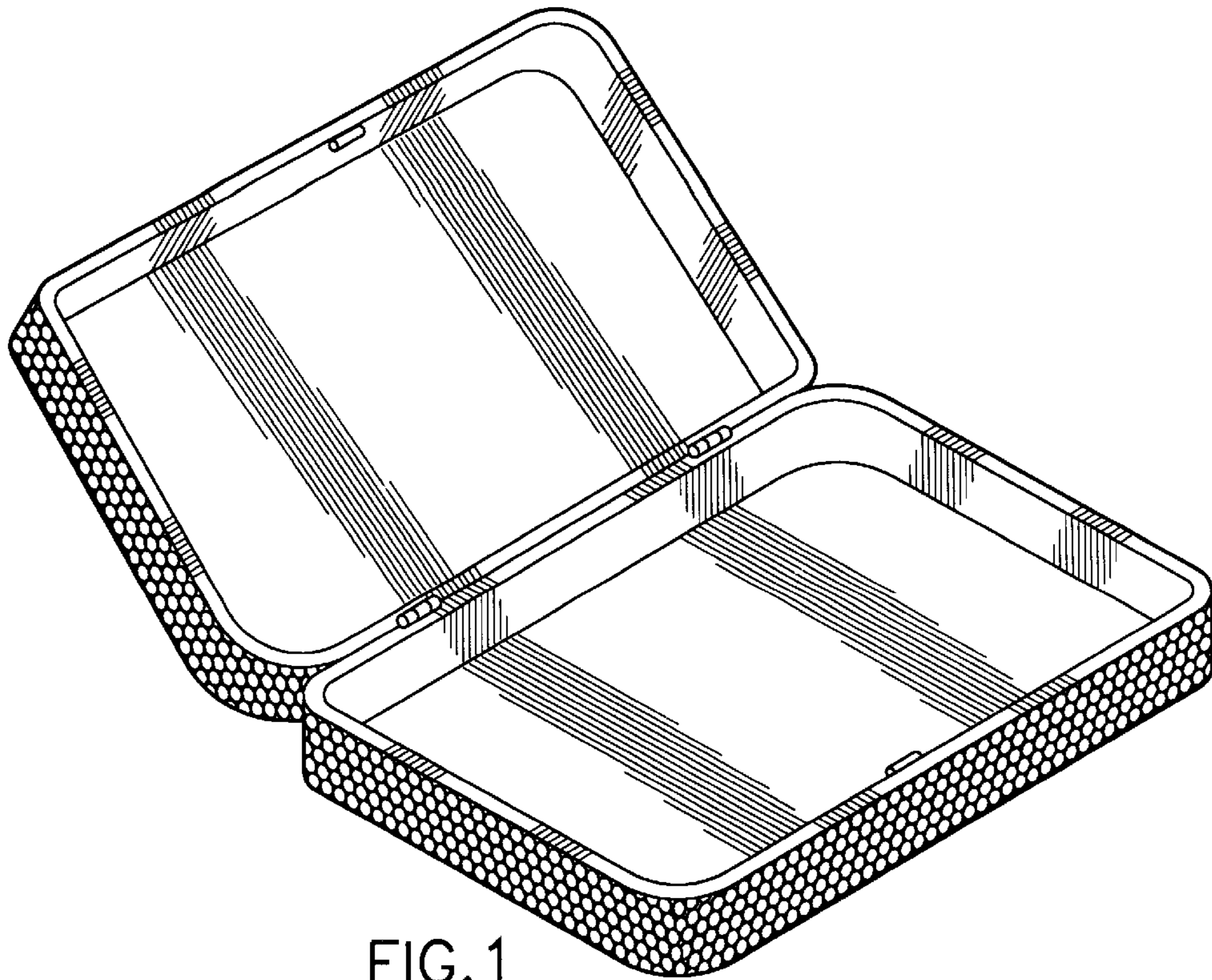


FIG. 1

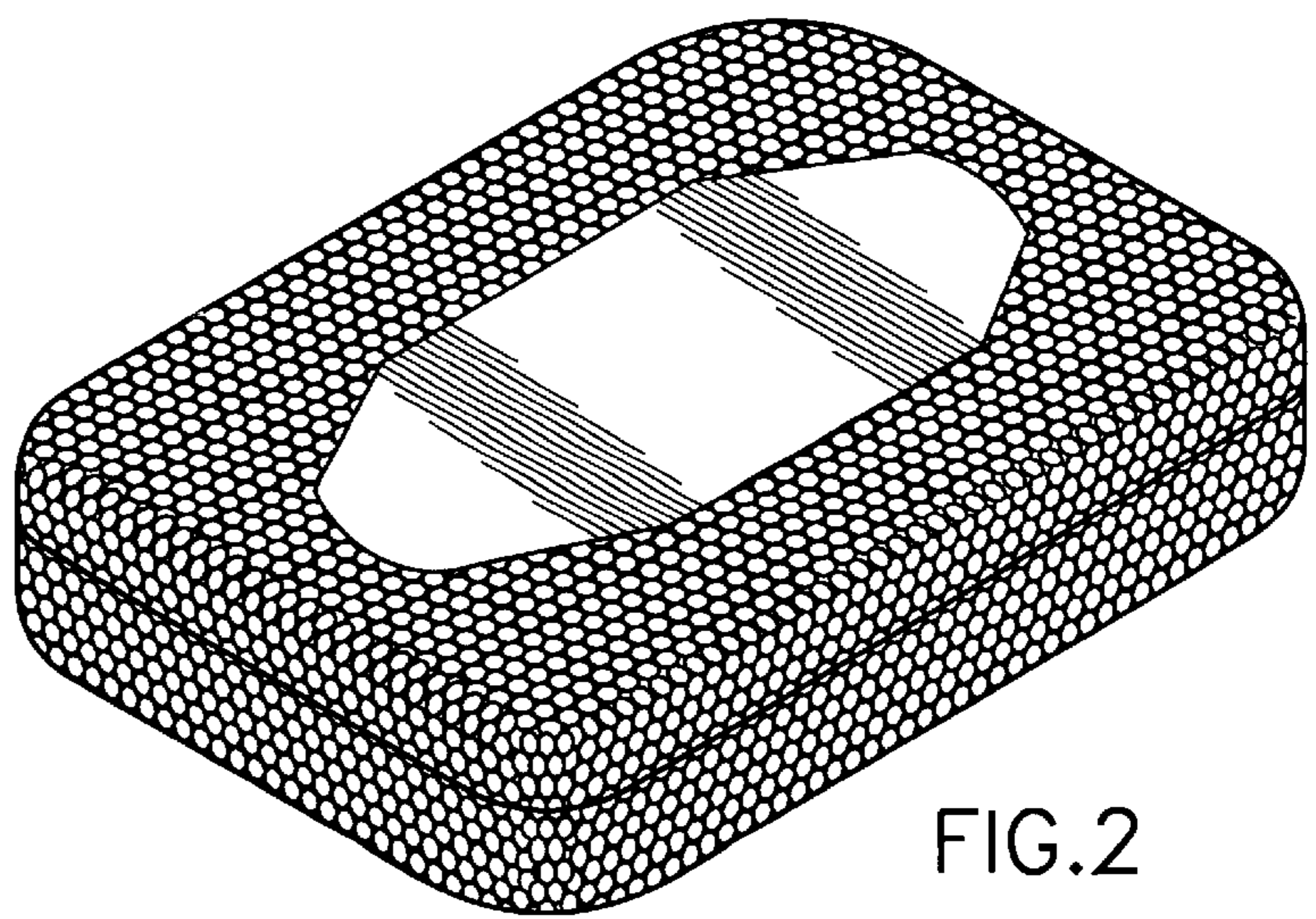


FIG. 2

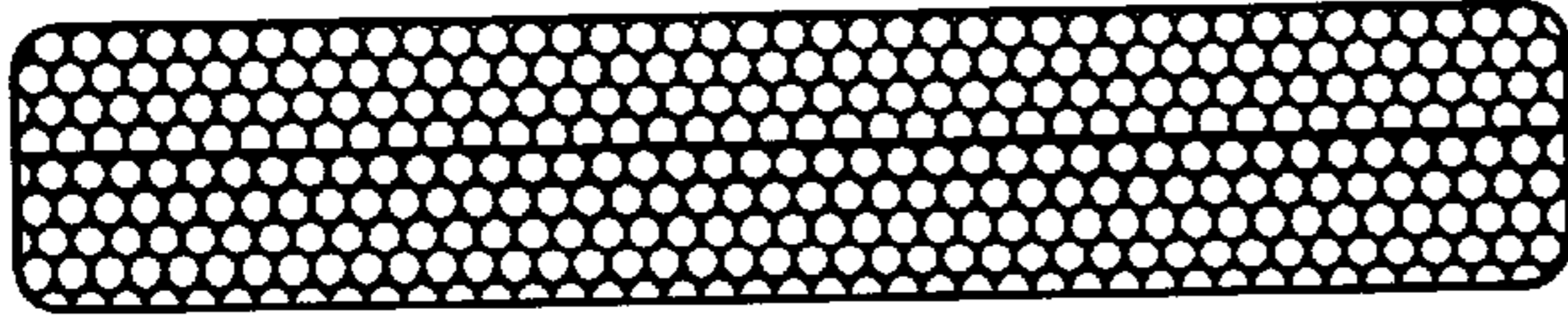


FIG. 3

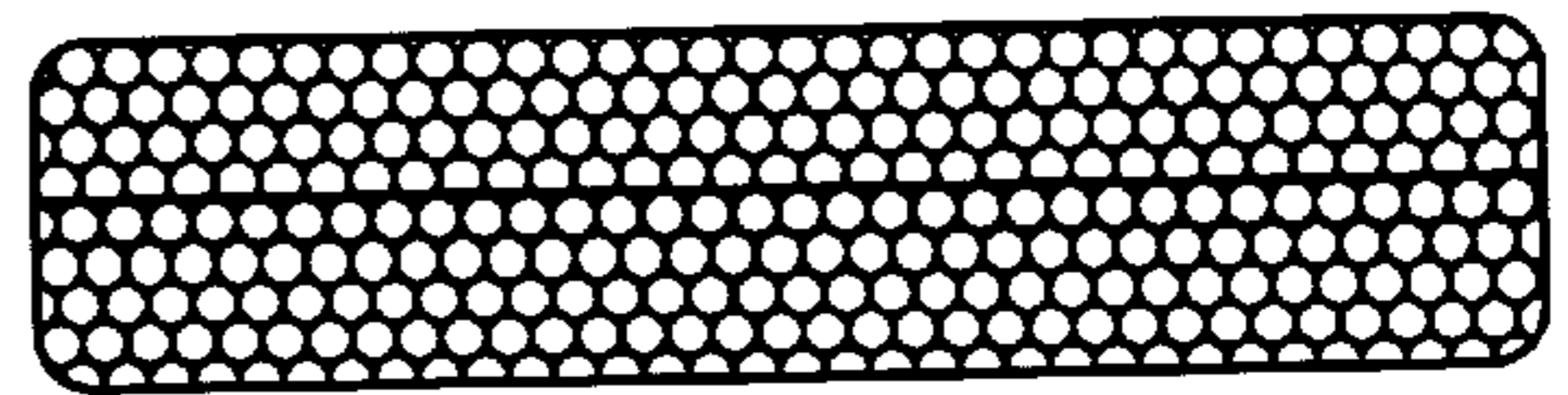


FIG. 4

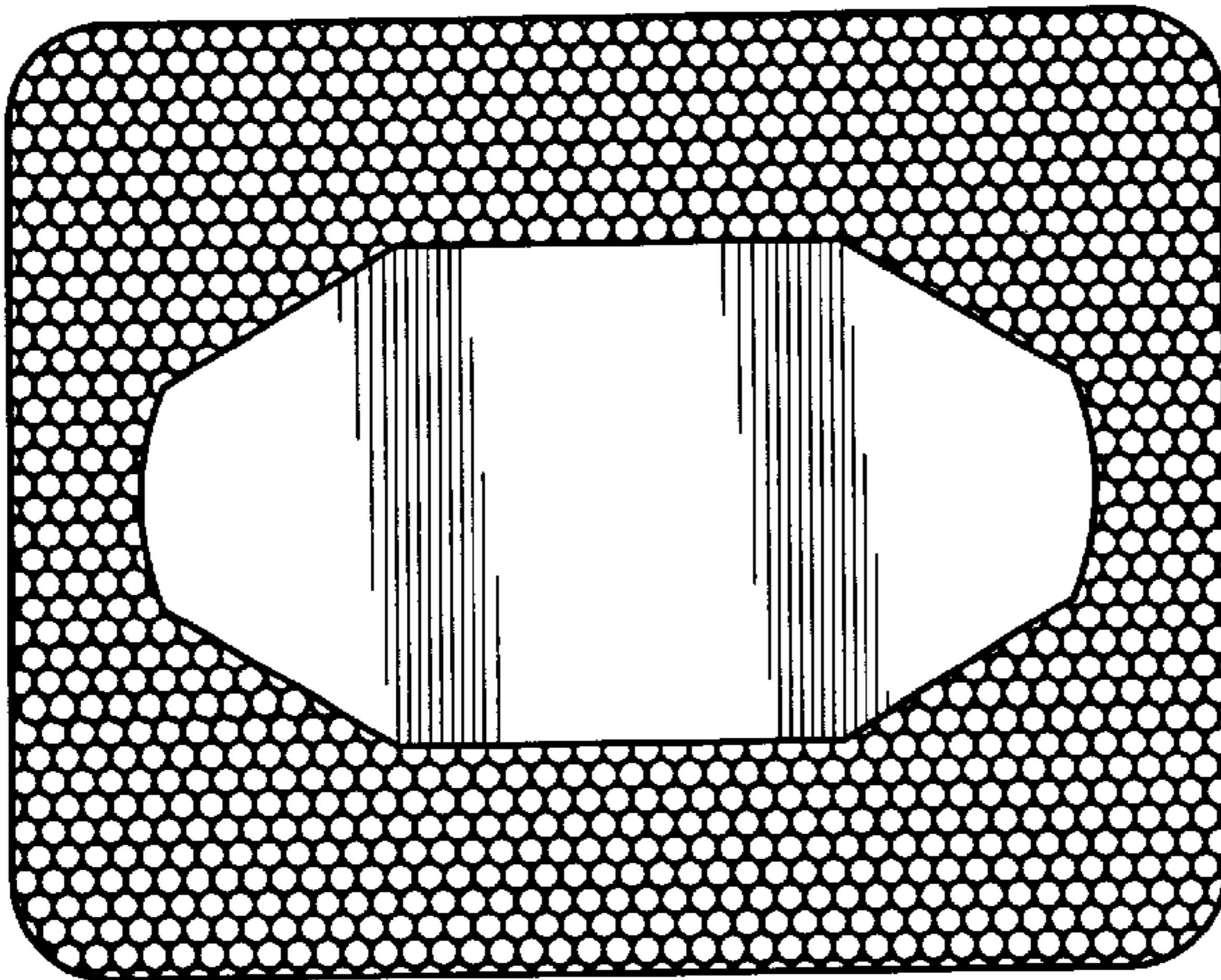


FIG. 5

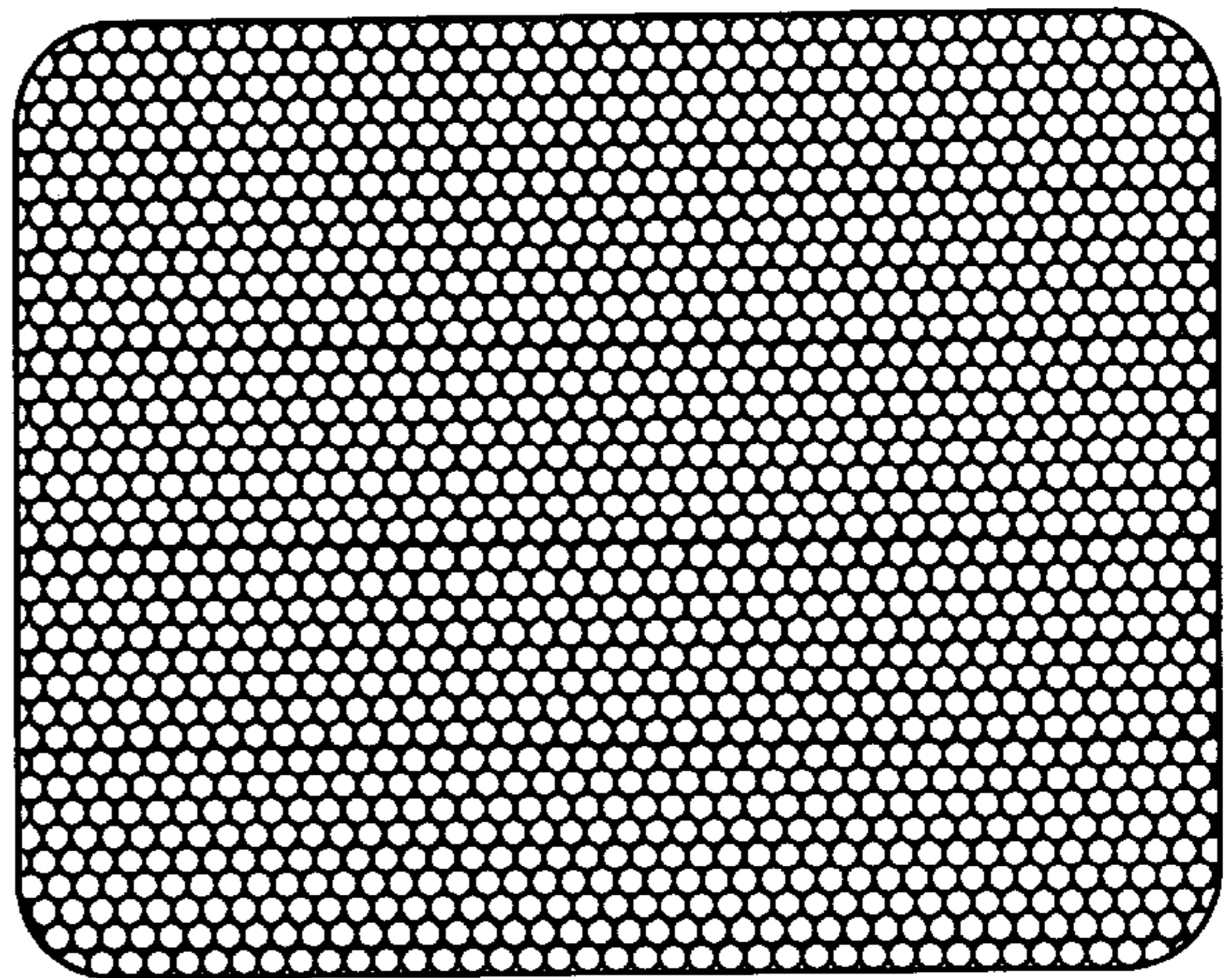


FIG. 6