



US00D429066S

# United States Patent [19]

[11] Patent Number: Des. 429,066

Tucker

[45] Date of Patent: \*\* Aug. 8, 2000

[54] FIREMAN'S ROPE BAG

[76] Inventor: Lawrence D. Tucker, 308 N. Layman Ave., Indianapolis, Ind. 46219

[\*\*] Term: 14 Years

[21] Appl. No.: 29/070,884

[22] Filed: Apr. 11, 1997

[51] LOC (7) Cl. .... 03-01

[52] U.S. Cl. .... D3/226

[58] Field of Search ..... D29/124, 125, D29/129; D3/201, 203, 205, 215, 225, 226, 228

### [56] References Cited

#### U.S. PATENT DOCUMENTS

D. 238,725	2/1976	Zerobnick et al. ....	D3/226
D. 256,853	9/1980	McGennis .....	D3/71
D. 307,064	4/1990	Roberts .....	D29/1
D. 311,453	10/1990	Rice .....	D3/226
D. 333,570	3/1993	Murray .....	D3/226
D. 333,729	3/1993	Hopp .....	D3/226
D. 334,663	4/1993	Petrillo .....	D3/226
D. 351,945	11/1994	Kopel .....	D3/265
D. 371,905	7/1996	Kopel .....	D3/226

Primary Examiner—Ruth McInroy  
Attorney, Agent, or Firm—Woodard, Emhardt, Naughton Moriarty McNett

### [57] CLAIM

The ornamental design for a fireman's rope bag, as shown and described.

### DESCRIPTION

FIG. 1 is a front elevational view of a fireman's rope bag showing my new design;

FIG. 2 is a rear elevational view thereof;

FIG. 3 is a top plan view thereof;

FIG. 4 is a bottom plan view thereof;

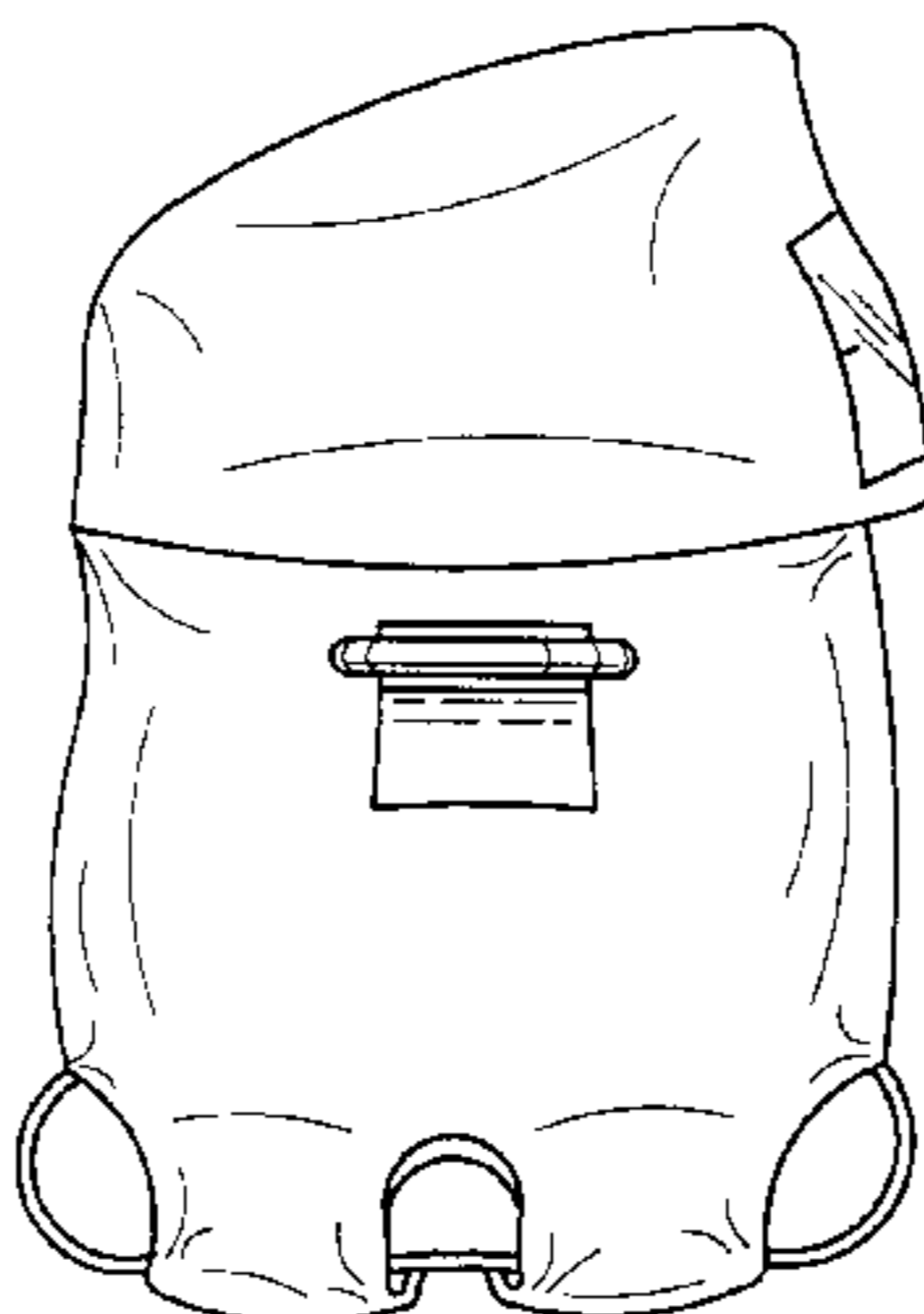
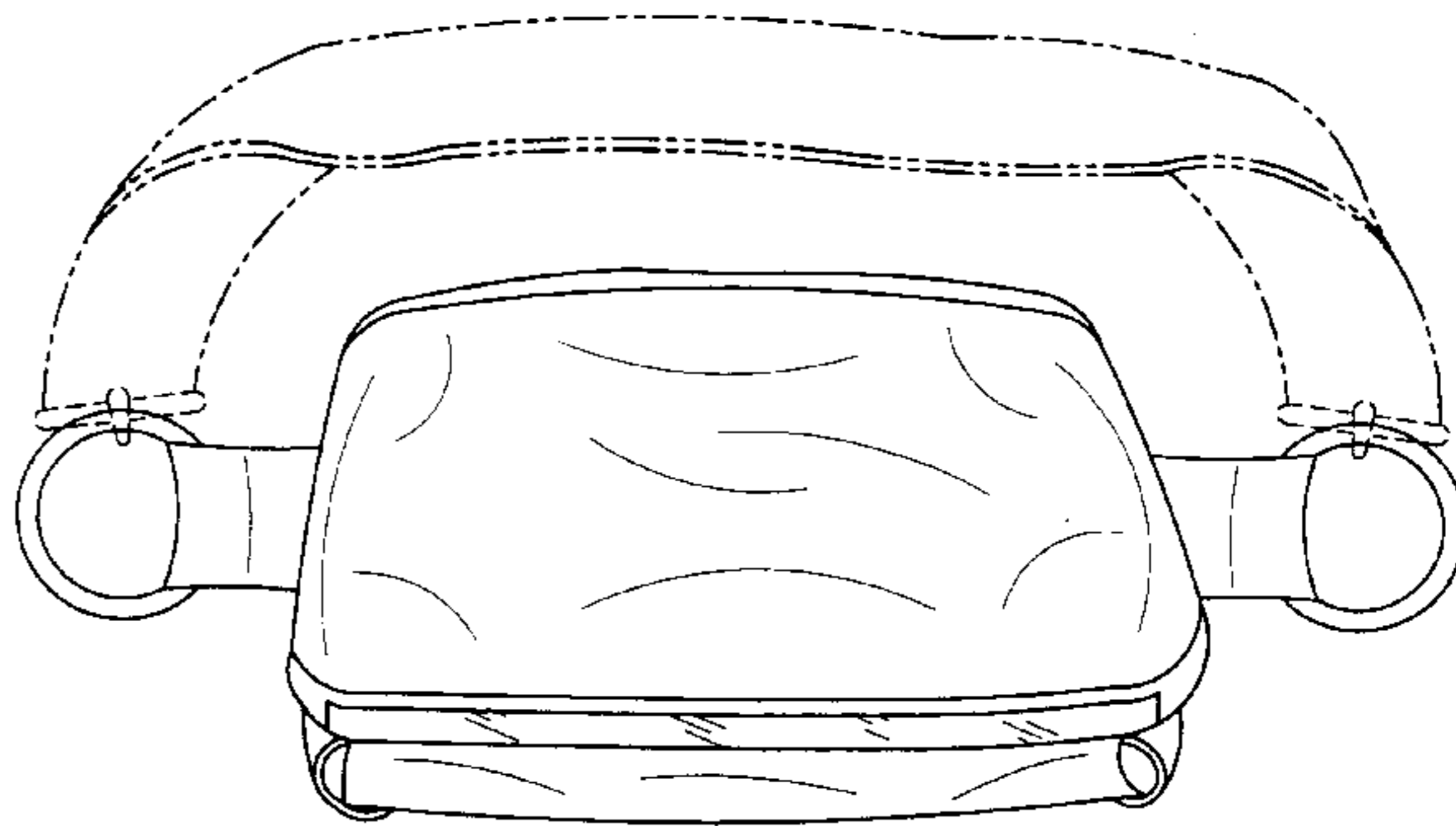
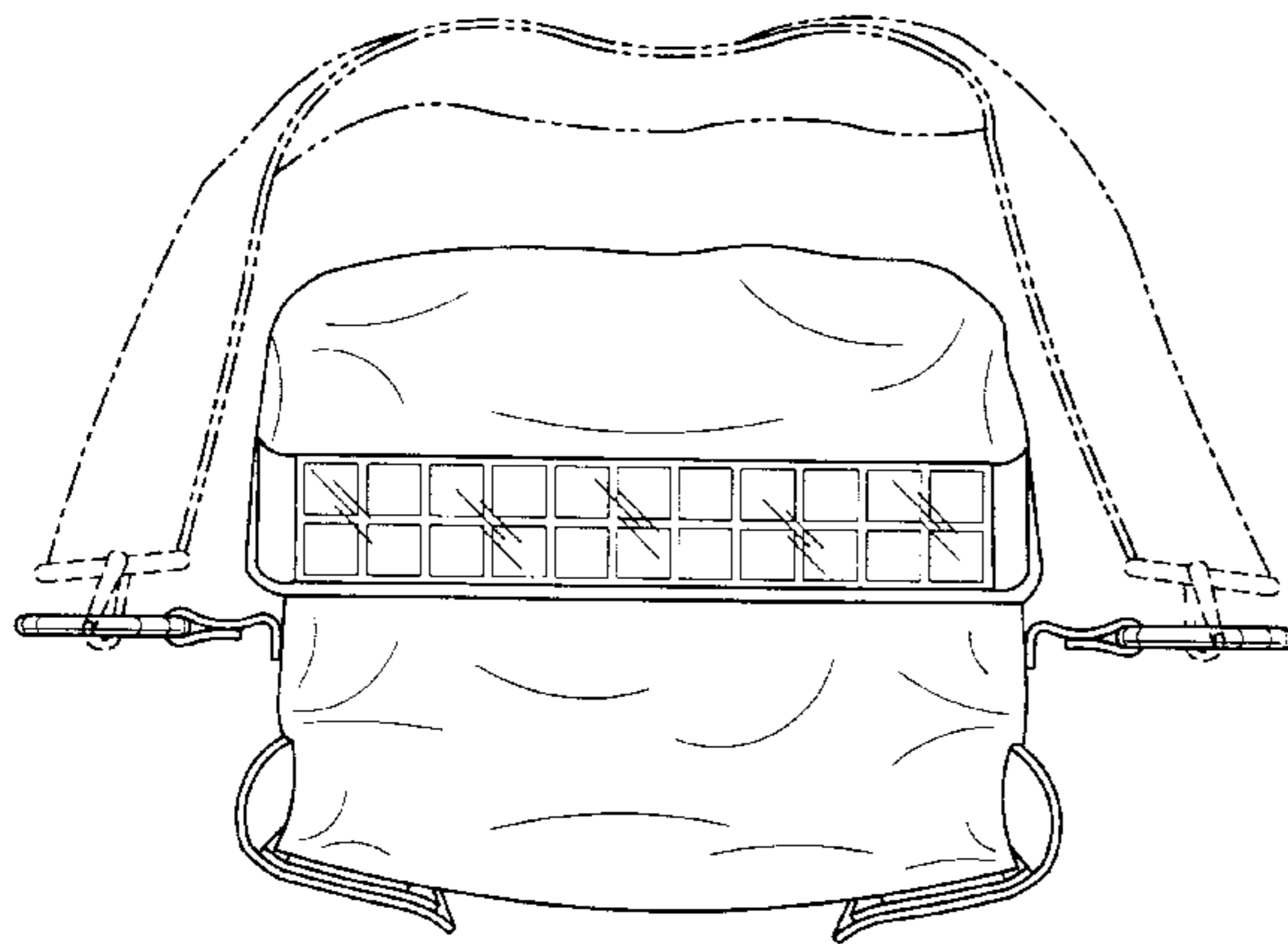
FIG. 5 is a side elevational view thereof, the opposite side being a mirror image; and,

FIG. 6 is a bottom plan view thereof, with the side flaps for the lower rope compartment fully detached from the hook and loop fastener.

The window-like strip on the front of the upper, rappelling-rope compartment closure lid is not a window but represents a reflector strip.

The broken lines in FIGS. 1-4 represent a carrying strap, not a part of the design.

1 Claim, 3 Drawing Sheets



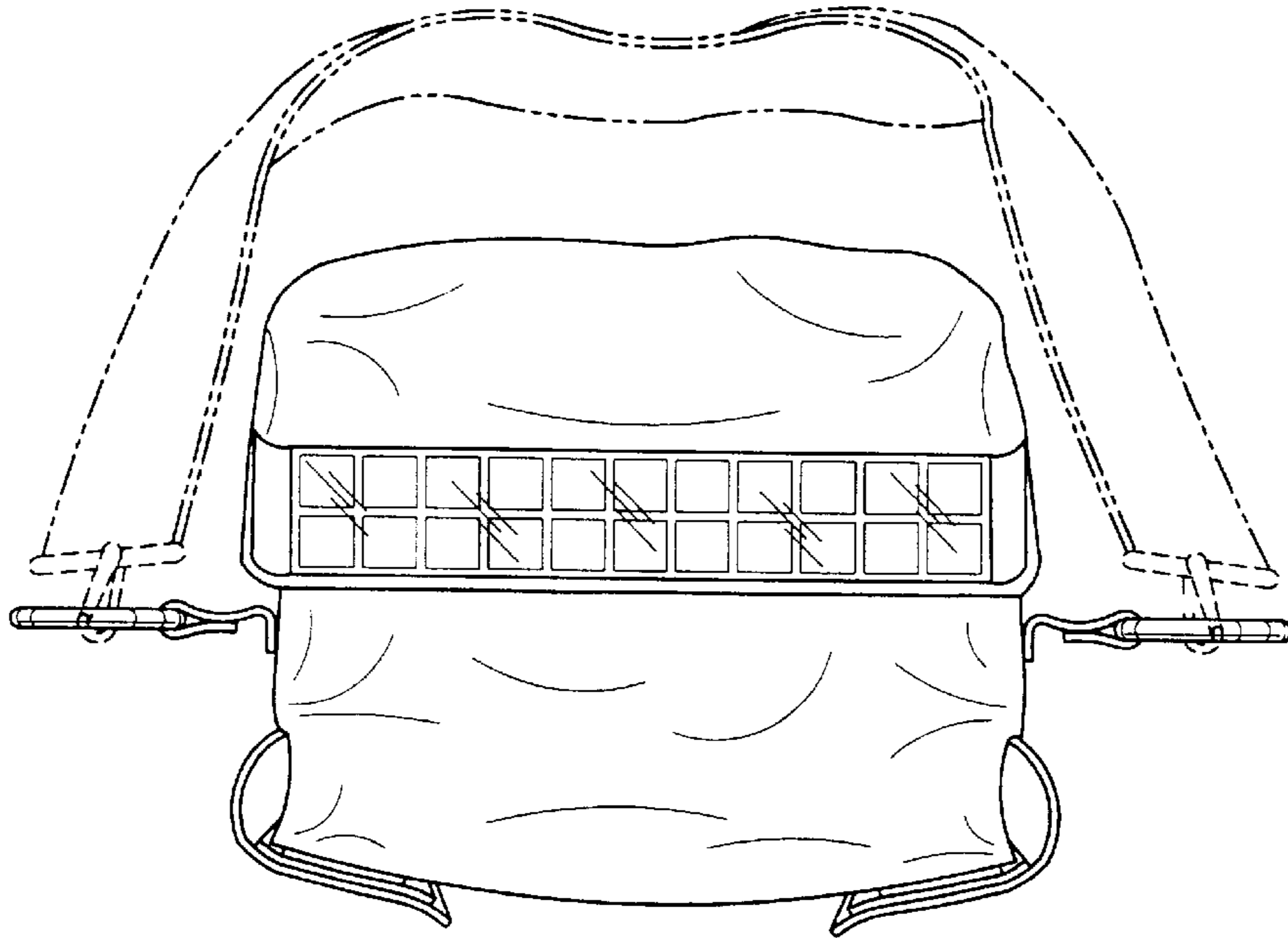


Fig. 1

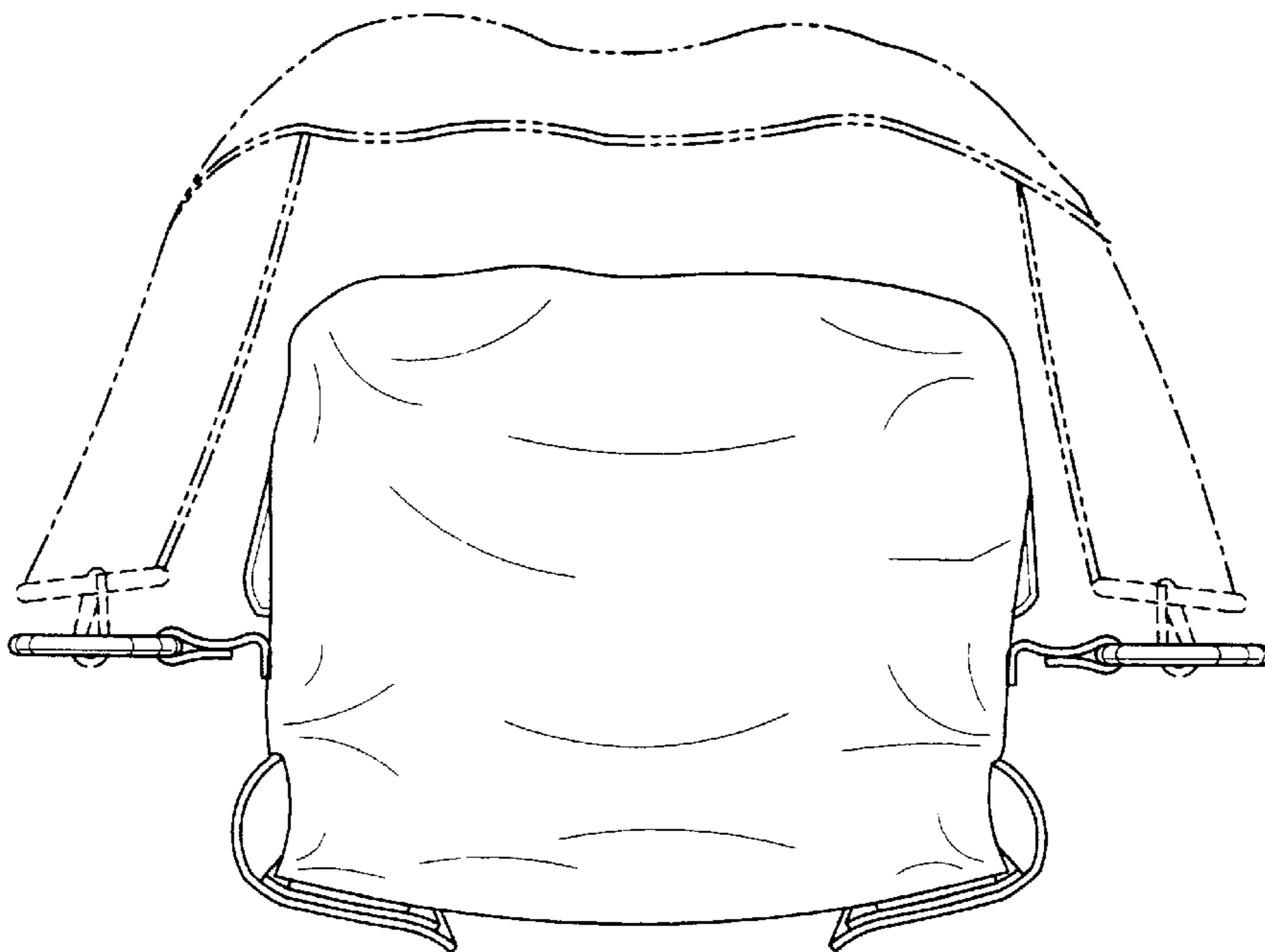


Fig. 2

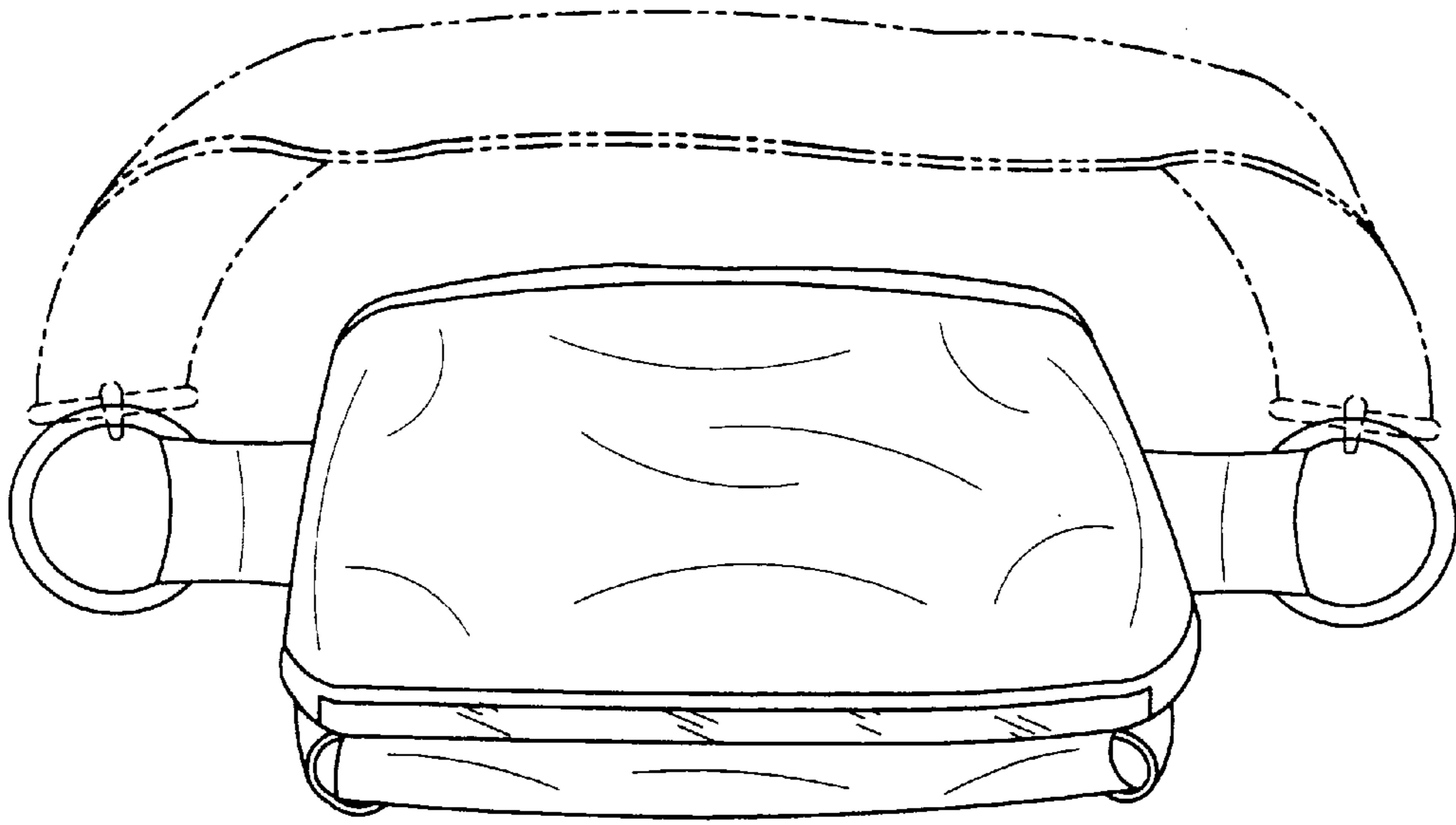


Fig. 3

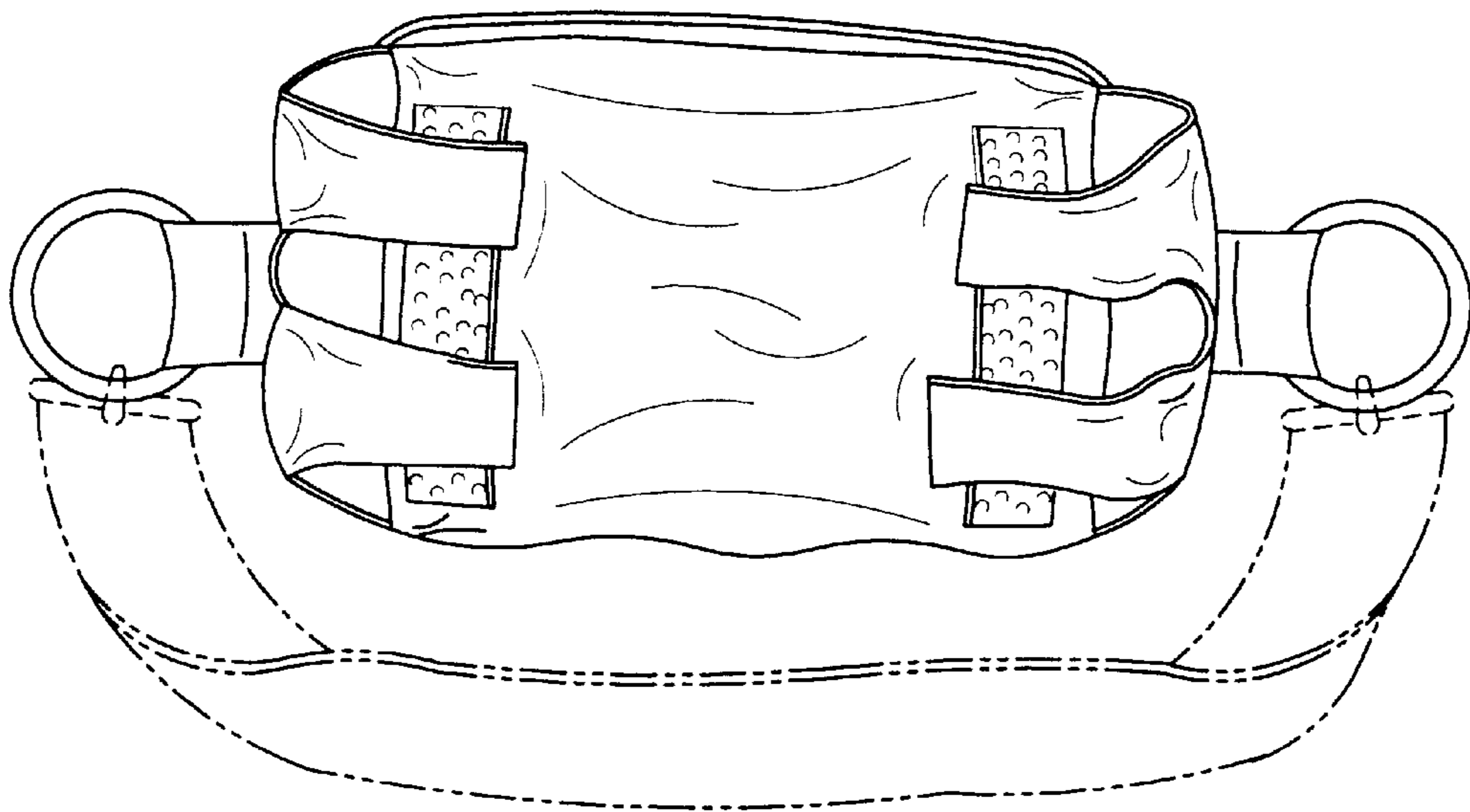


Fig. 4

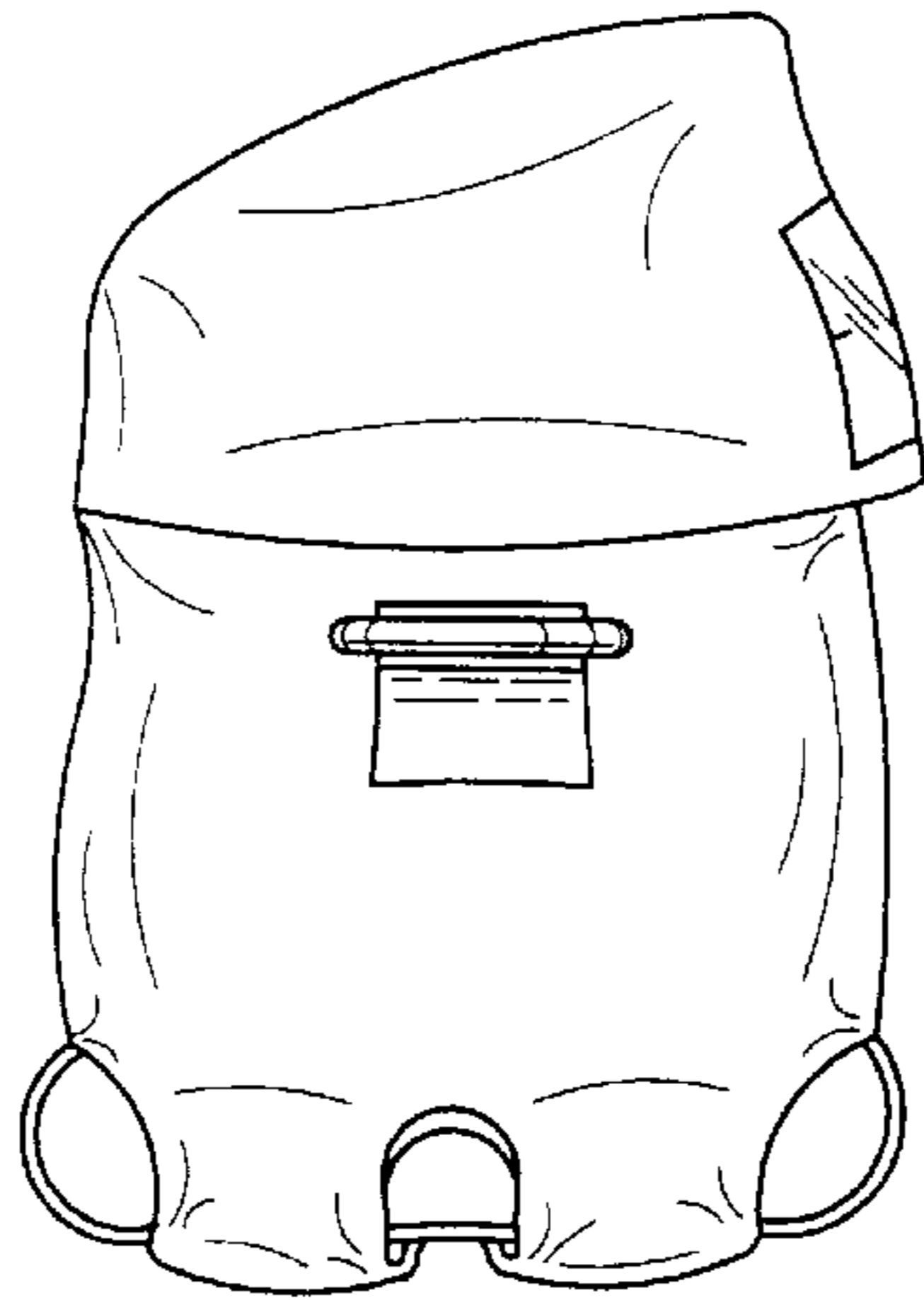


Fig. 5

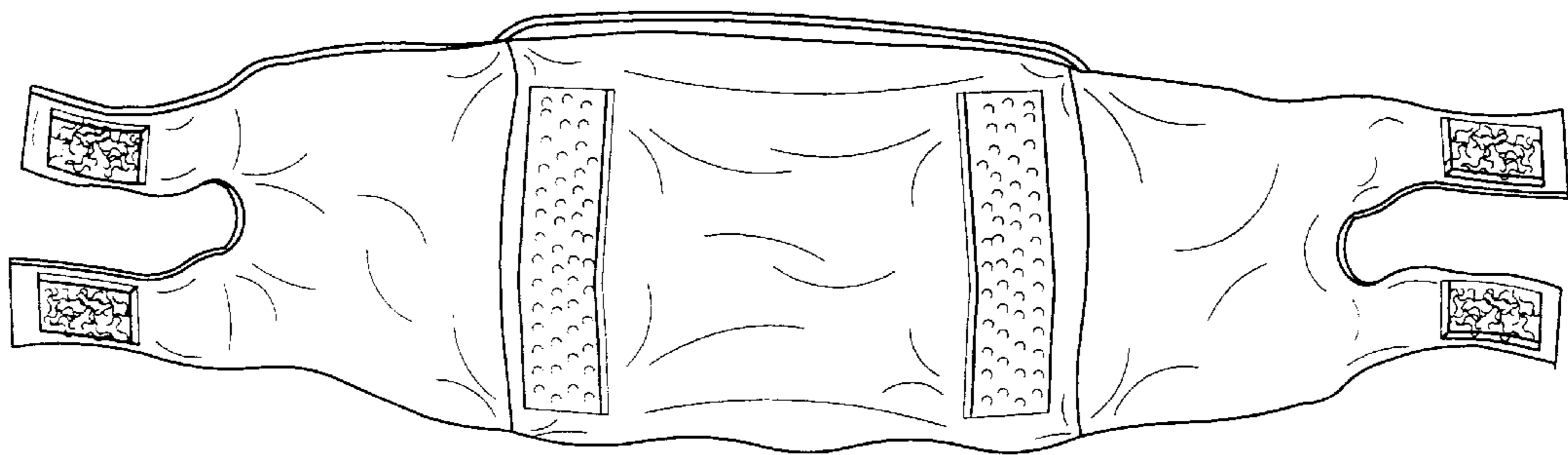


Fig. 6