



US00D429062S

United States Patent [19] Santa

[11] Patent Number: **Des. 429,062**

[45] Date of Patent: **** Aug. 8, 2000**

[54] **FOOTWEAR SOLE**

[76] Inventor: **Pedro Ortuño Santa**, Ctra. de Jumilla
km 63, 30510 Yecla (Murcia), Spain

[**] Term: **14 Years**

[21] Appl. No.: **29/109,124**

[22] Filed: **Aug. 6, 1999**

[51] **LOC (7) Cl.** **02-04**

[52] **U.S. Cl.** **D2/954; D2/955; D2/957**

[58] **Field of Search** D2/760, 902, 904,
D2/908, 909, 911, 914, 916, 920, 946-948,
951-962, 964, 972, 977; 36/22 R, 24.5,
25 A, 25 R, 28, 29, 32 R, 43, 59 C, 59 R,
67 A, 72 C, 102, 103, 129, 134, 149

[56] **References Cited**

U.S. PATENT DOCUMENTS

D. 185,462	6/1959	Ratner	D2/957
D. 257,647	12/1980	Combaret	D2/953
D. 299,185	1/1989	Selbiger	D2/959
D. 356,671	3/1995	Blanchini	D2/957
D. 363,371	10/1995	Werman	D2/957
D. 399,997	10/1998	Girard	D2/960

D. 407,891	4/1999	Edwards	D2/957
D. 413,012	8/1999	Challant	D2/954
D. 413,713	9/1999	Hernandez	D2/956
D. 414,922	10/1999	Wright	D2/960

Primary Examiner—Celia Murphy
Attorney, Agent, or Firm—Darby & Darby

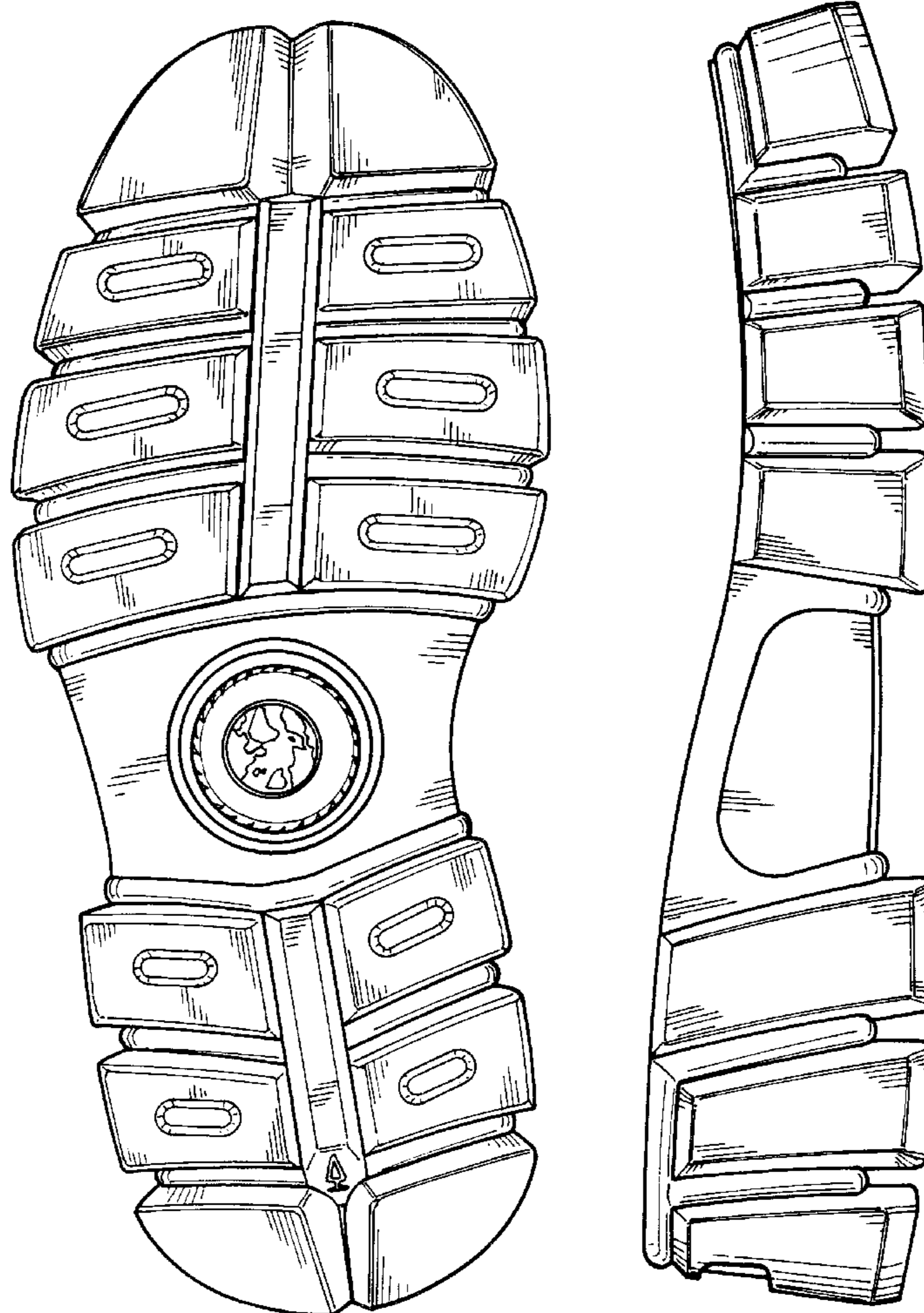
[57] **CLAIM**

The ornamental design for a footwear sole, as shown and described.

DESCRIPTION

FIG. 1 is a bottom plan view of the footwear sole of the present invention;
FIG. 2 is a right side elevational view thereof;
FIG. 3 is a top plan view thereof;
FIG. 4 is a left side elevational view thereof;
FIG. 5 is a front elevational view thereof;
FIG. 6 is a rear elevational view thereof;
FIG. 7 is a top perspective view thereof; and,
FIG. 8 is a bottom perspective view thereof.
The broken lines shown on the interior portion of FIG. 7 are for illustrative purposes only and form no part of the claimed design.

1 Claim, 4 Drawing Sheets



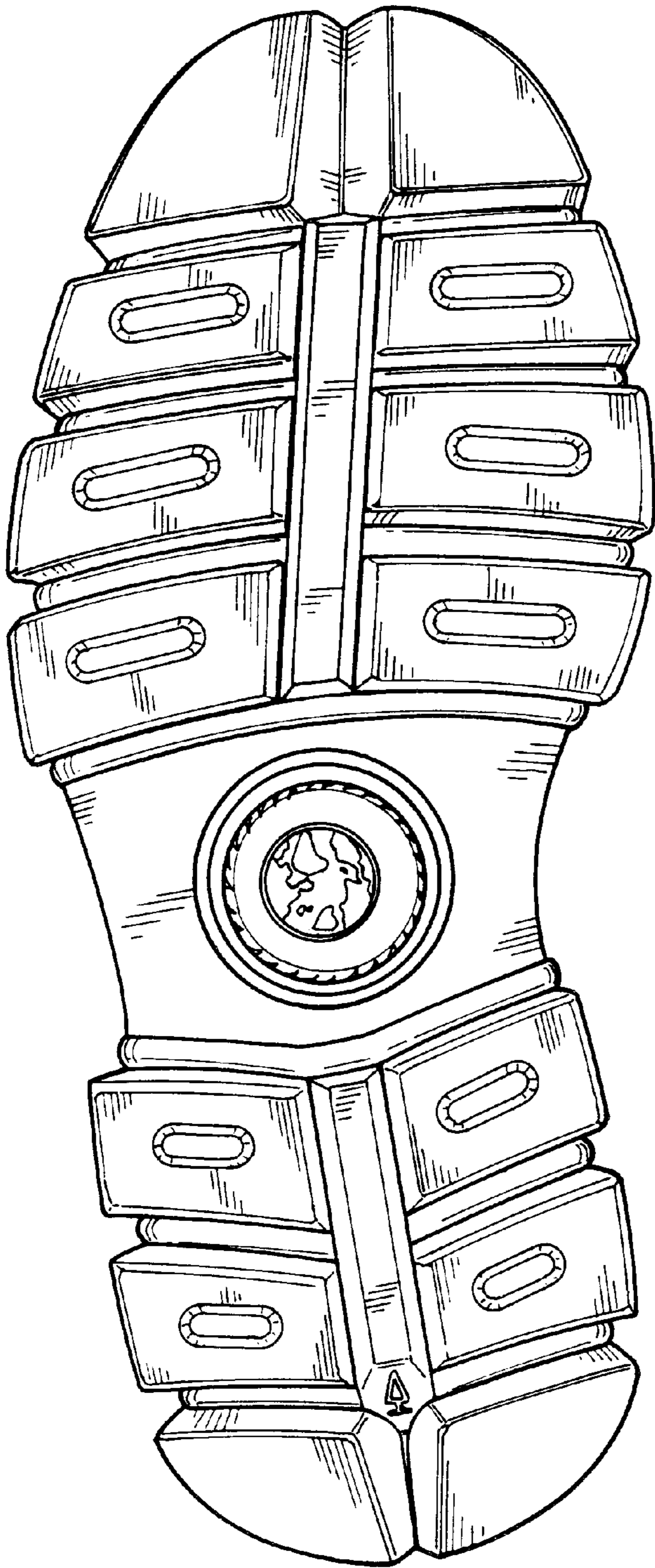


FIG. 1

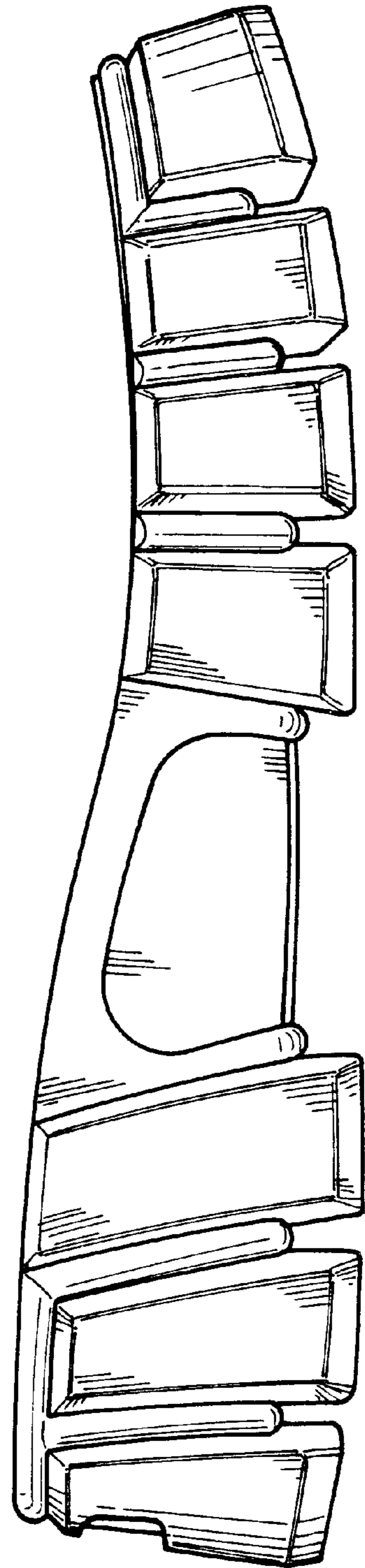


FIG. 2

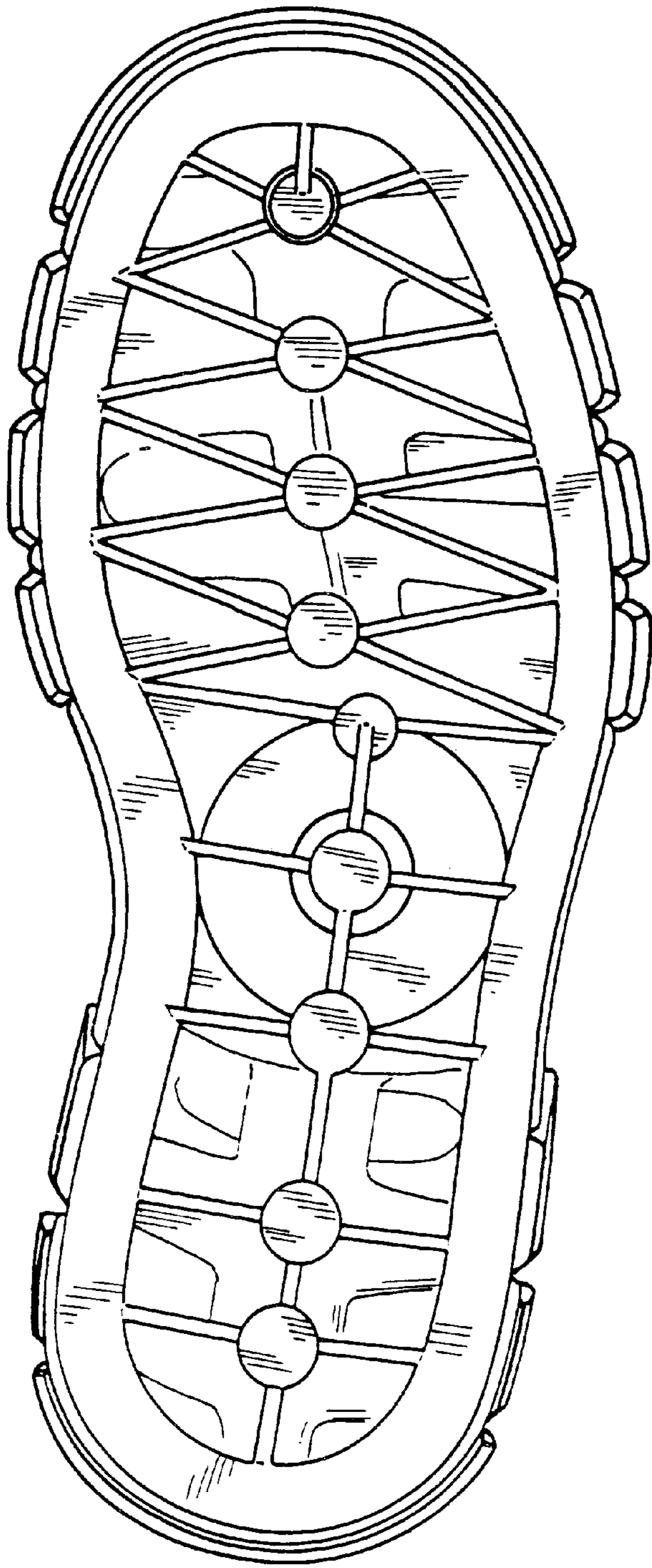


FIG. 3

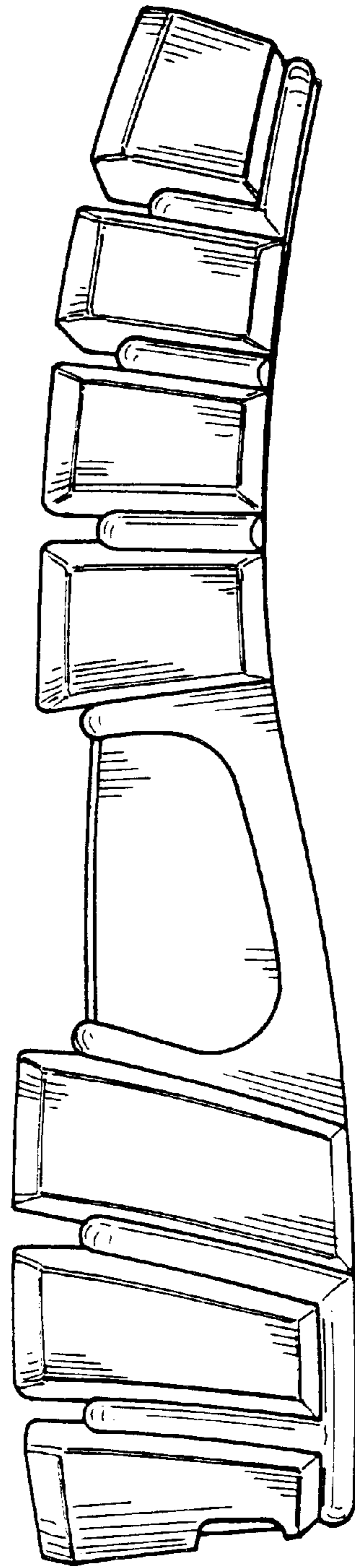


FIG. 4

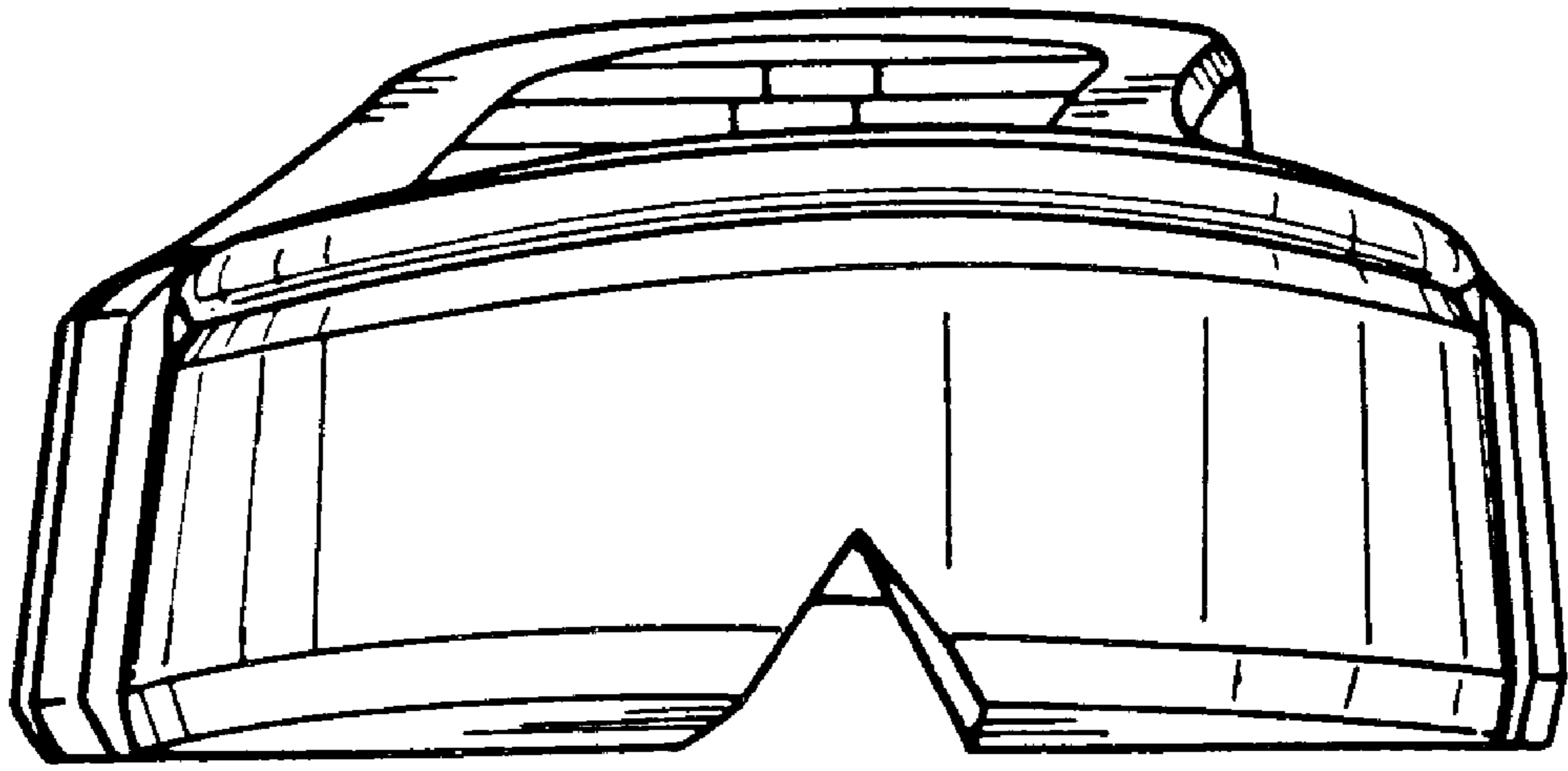


FIG. 5

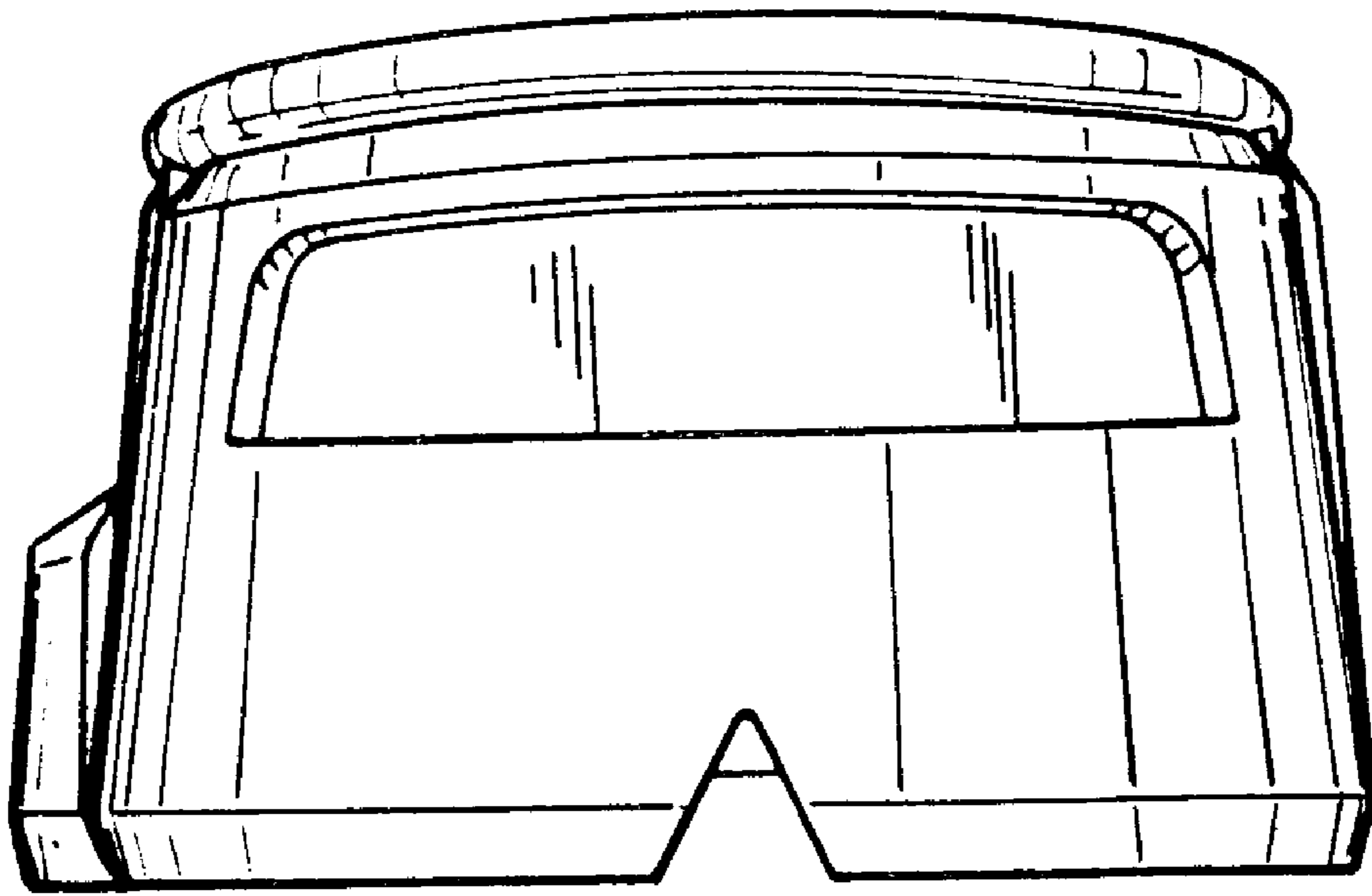


FIG. 6

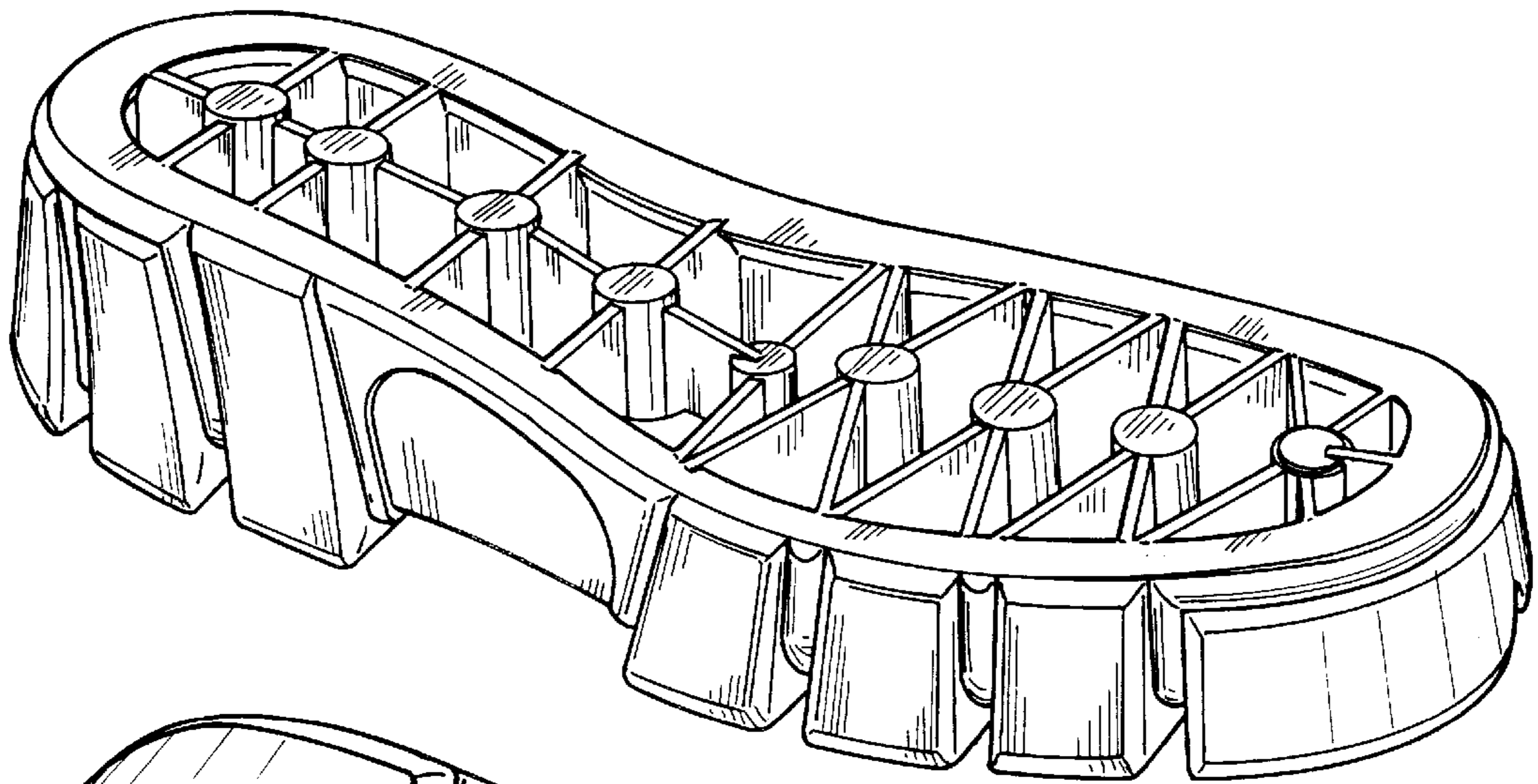


FIG. 7

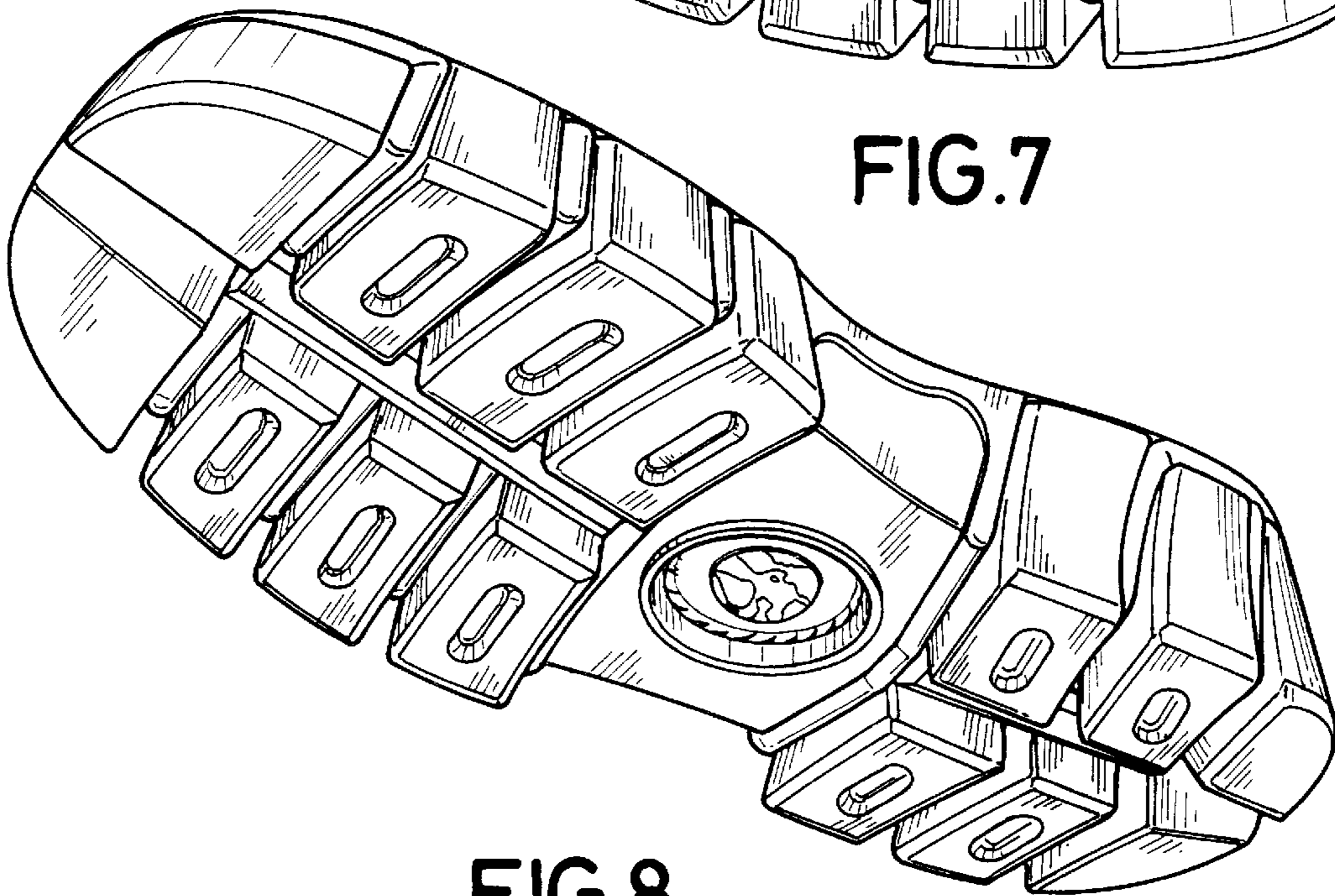


FIG. 8