



US00D429061S

# United States Patent [19]

Burruano et al.

[11] Patent Number: **Des. 429,061**

[45] Date of Patent: **\*\* Aug. 8, 2000**

[54] **SPORT SHOE**

D. 408,607 4/1999 Balbinot et al. .... D2/946  
2,919,503 1/1960 Sholovitz ..... 36/50.1

[76] Inventors: **Joseph S. Burruano**, 12 Iris Cir.,  
Manalapan, N.J. 07726; **Salvatore  
Rossignolo**, 2051 77th St., Brooklyn,  
N.Y. 11214

*Primary Examiner*—Louis S. Zarfes  
*Assistant Examiner*—G Andoll  
*Attorney, Agent, or Firm*—Schweitzer Cornman Gross &  
Bondell LLP

[\*\*] Term: **14 Years**

## [57] CLAIM

[21] Appl. No.: **29/109,866**

The ornamental design for a sport shoe, as shown and described.

[22] Filed: **Aug. 24, 1999**

## DESCRIPTION

[51] **LOC (7) Cl.** ..... **02-04**

[52] **U.S. Cl.** ..... **D2/946; D2/977; D2/943**

[58] **Field of Search** ..... D2/943, 946, 976,  
D2/972, 977, 978, 973, 969, 902, 907,  
910; 36/50.1, 45, 52, 57, 78, 36; 24/114.9,  
90.1, 659, 664

FIG. 1 is a first side elevation view of a sport shoe design of the invention;

FIG. 2 is a second side elevation view thereof;

FIG. 3 is a top plan view thereof;

FIG. 4 is a front elevation view thereof;

FIG. 5 is a rear elevation view thereof;

FIG. 6 is a bottom plan view thereof; and,

FIG. 7 is a first side elevation view of an alternative embodiment of the design.

The broken lines in the FIGURES are for illustrative purposes only and form no part of the claimed design.

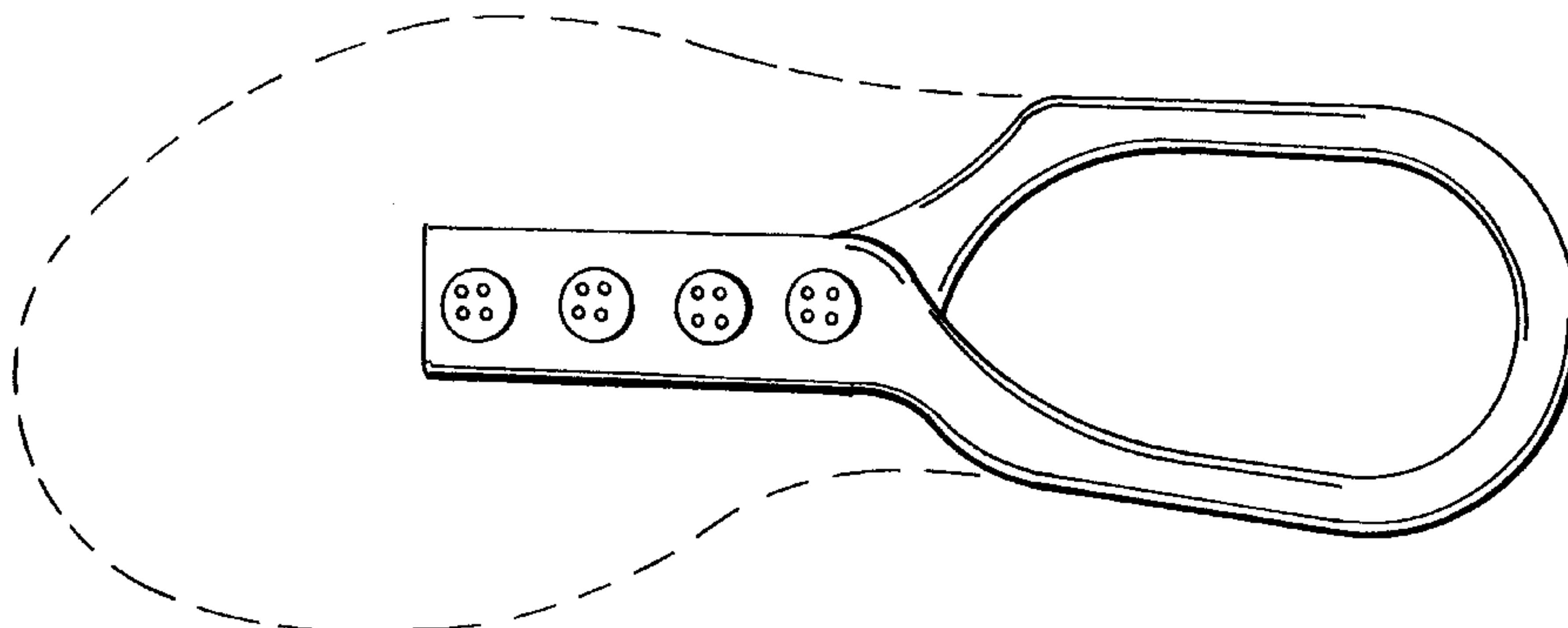
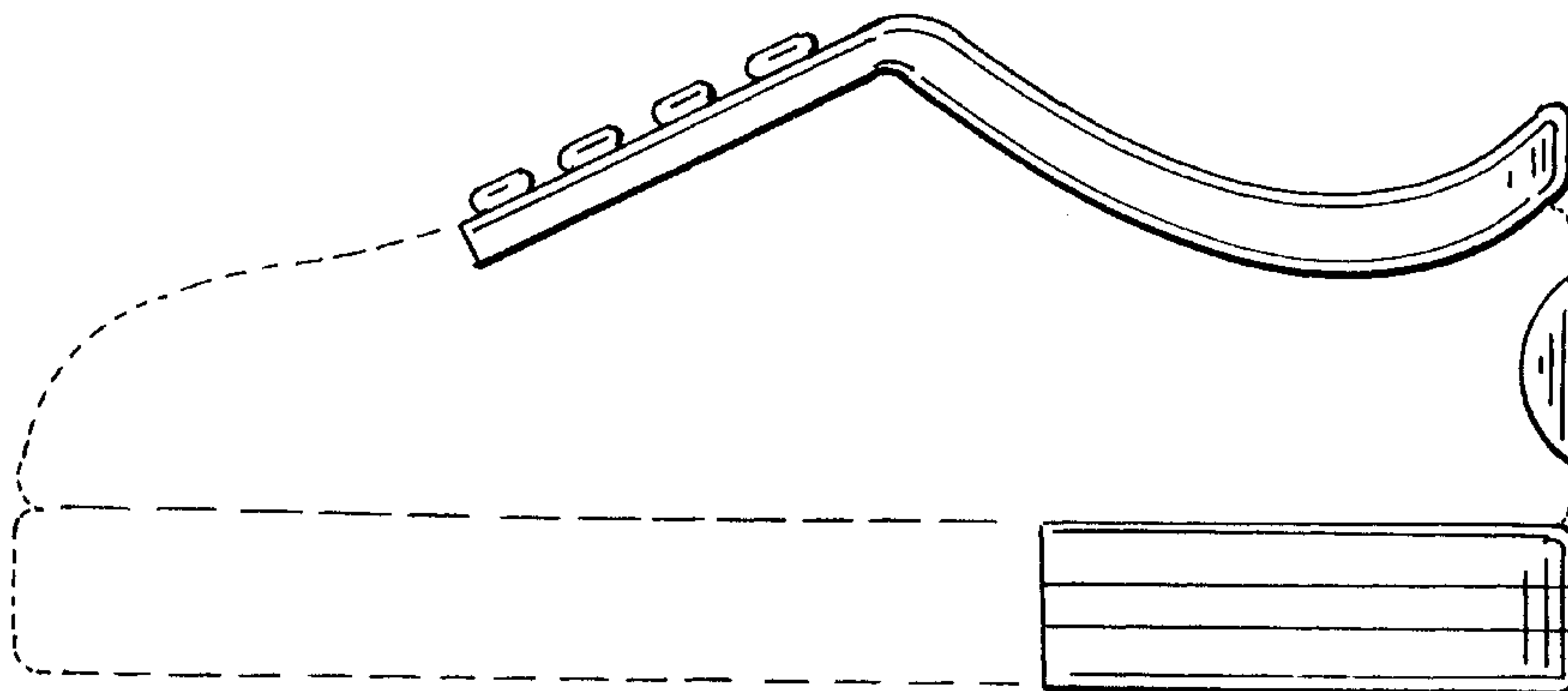
The surfaces of the second embodiment of the article not shown in the drawing or described in the specification form no part of the claimed design.

## [56] References Cited

### U.S. PATENT DOCUMENTS

124,512	3/1872	Rand	36/50.1
D. 237,427	11/1975	Thornberry	D2/907
D. 249,748	10/1978	Kitamura	D2/907
D. 348,139	6/1994	Mohr	D2/897
D. 360,064	7/1995	Verin	D2/908
D. 388,940	1/1998	Barker	D2/907
D. 401,394	11/1998	Herndon	D2/910

**1 Claim, 5 Drawing Sheets**



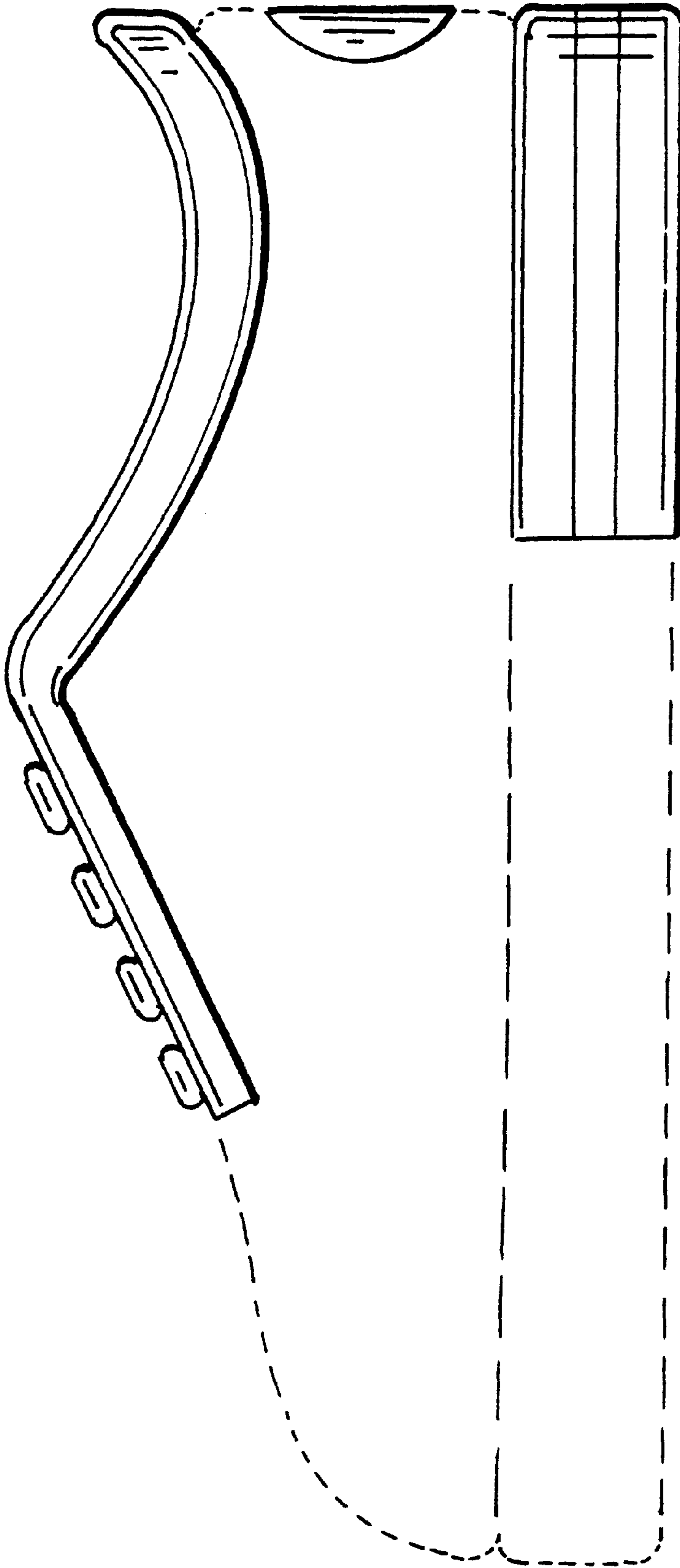


FIG. 1

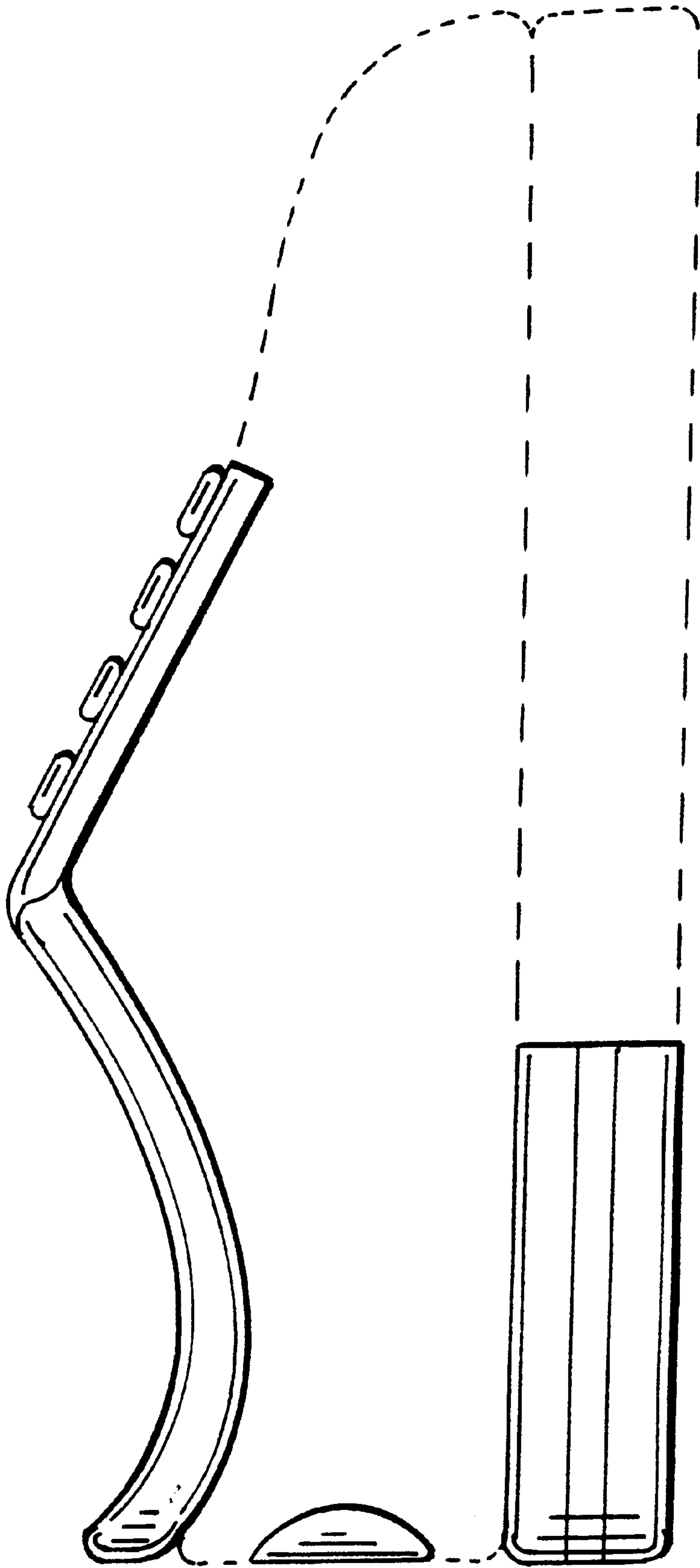
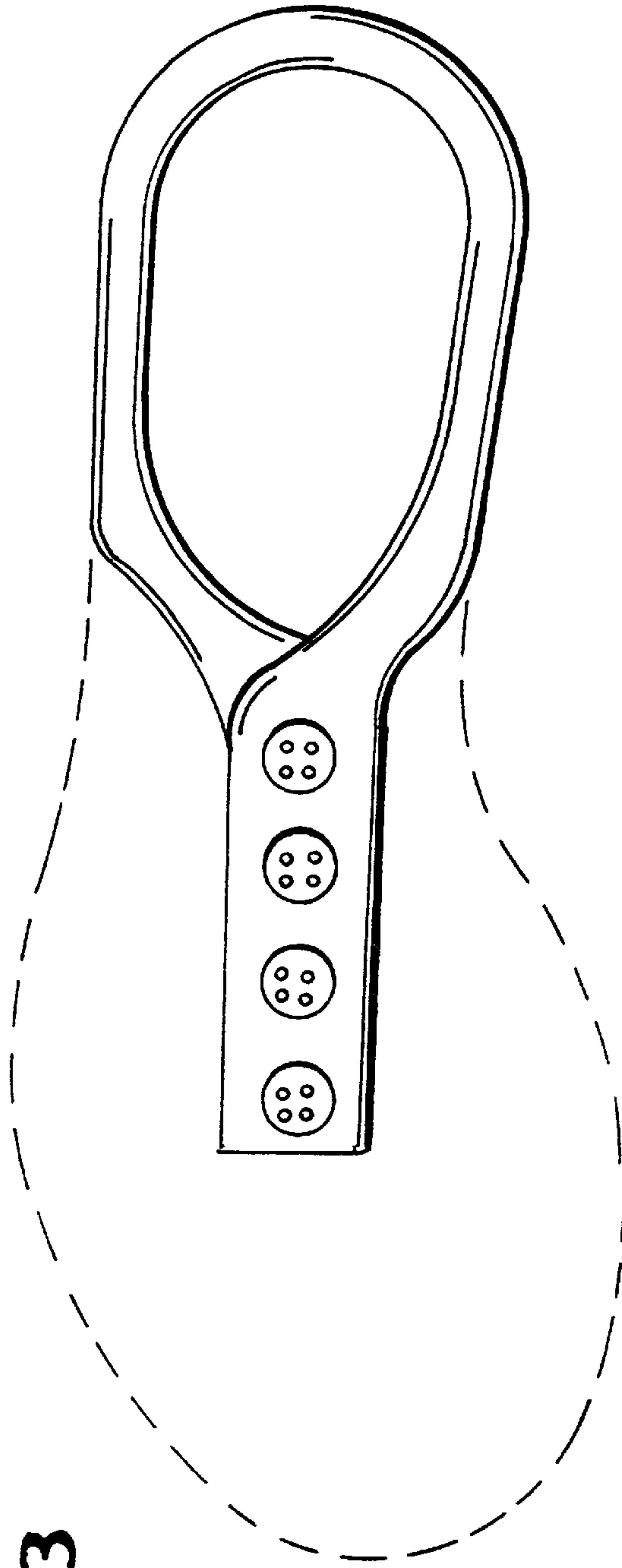
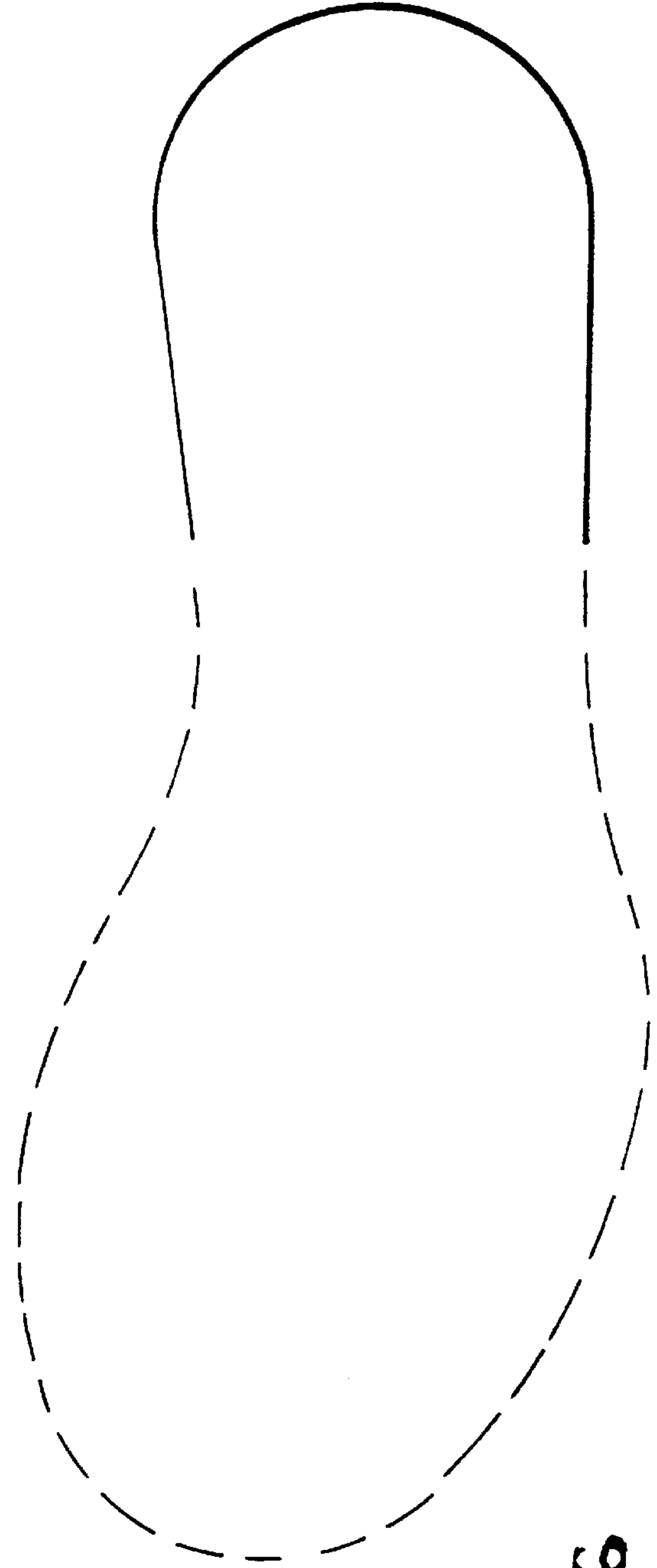


FIG. 2

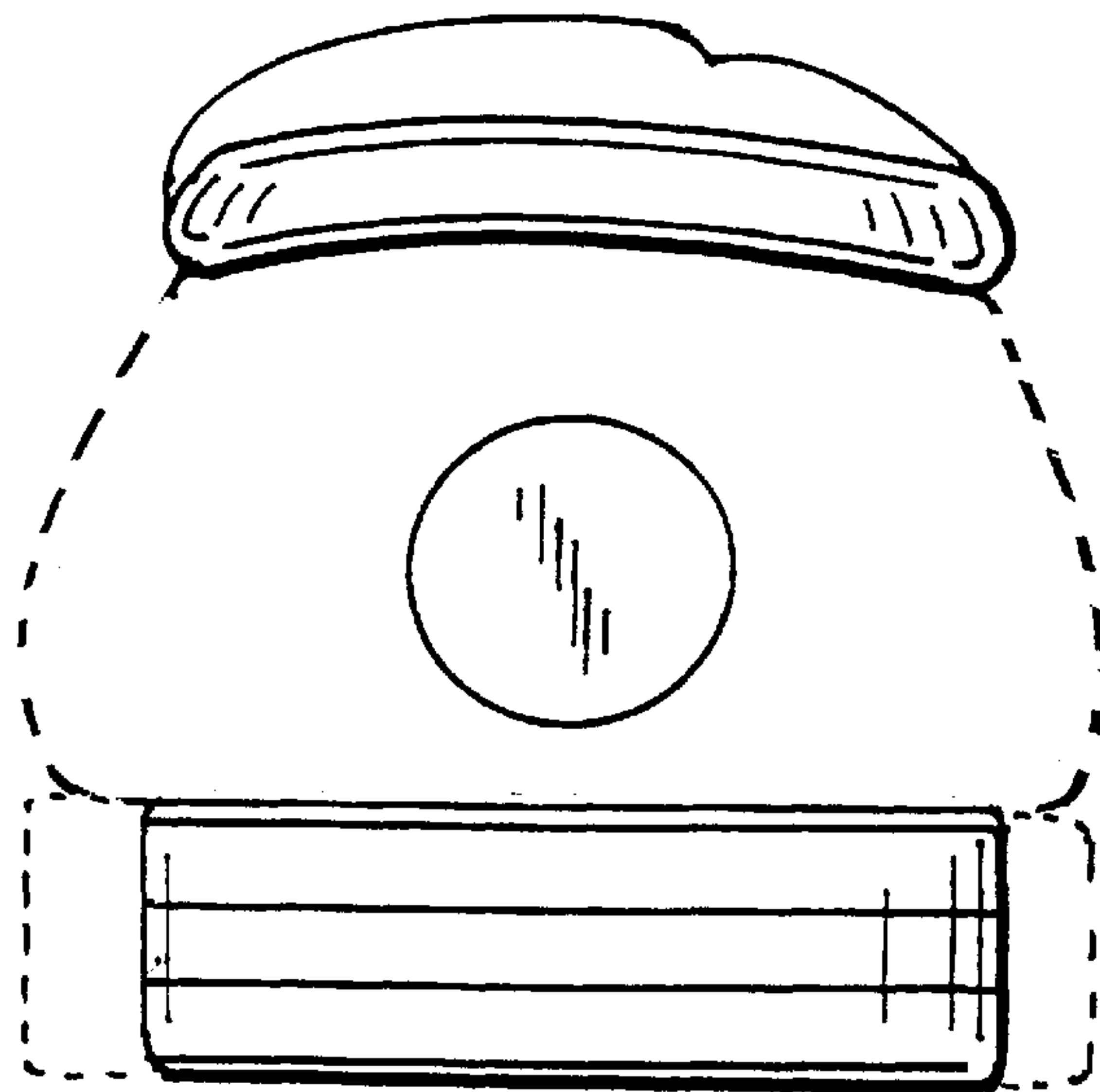
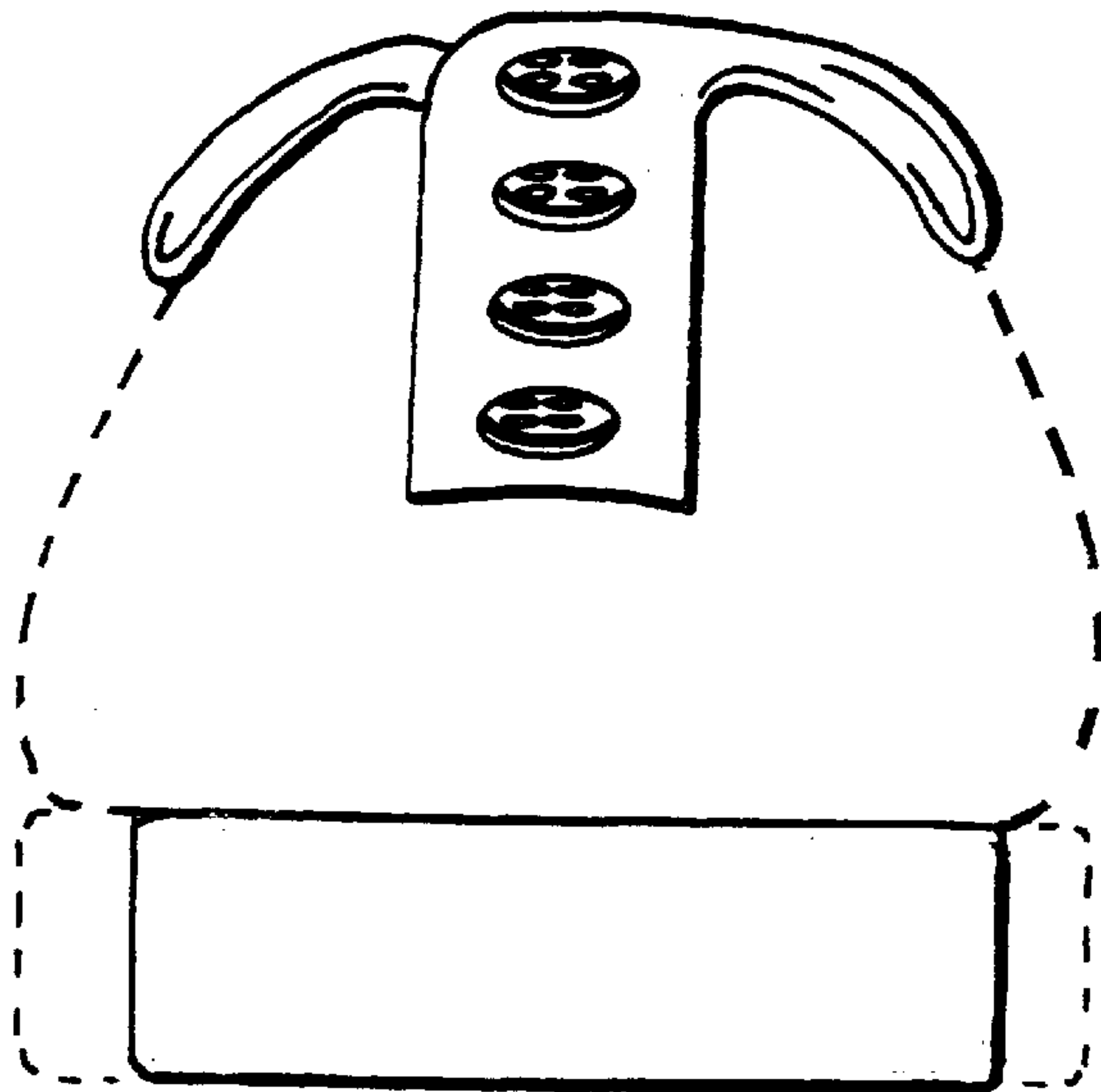


**FIG. 3**



**FIG. 6**

**FIG. 4**



**FIG. 5**

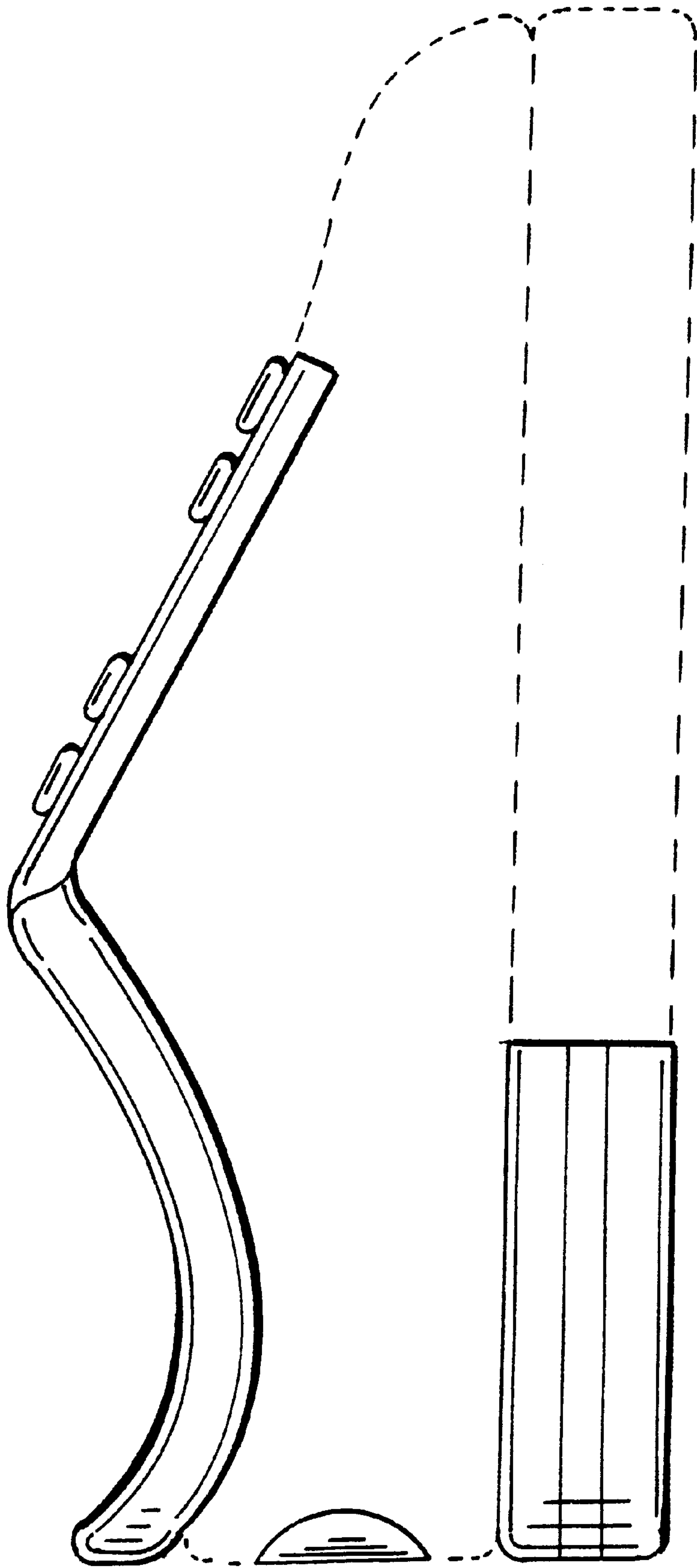


FIG. 7