



US00D429057S

# United States Patent [19] Wong

[11] **Patent Number: Des. 429,057**

[45] **Date of Patent: \*\* Aug. 8, 2000**

[54] **FISH PATTY**

[75] **Inventor: Paddy Hung Shek Wong, Vancouver, Canada**

[73] **Assignee: Canadian Salmon Products Ltd., Richmond, Canada**

[\*\*] **Term: 14 Years**

[21] **Appl. No.: 29/109,188**

[22] **Filed: Aug. 12, 1999**

[51] **LOC (7) Cl. .... 01-01**

[52] **U.S. Cl. .... D1/199**

[58] **Field of Search .... D1/100, 106, 107, D1/108, 127-129, 199; 426/104, 624**

[56] **References Cited**

**U.S. PATENT DOCUMENTS**

D. 232,601 9/1974 Rich ..... D1/199  
D. 250,557 12/1978 Leeb ..... D1/199

D. 254,936 5/1980 Saunders ..... D1/199  
D. 269,729 7/1983 Zonnenberg ..... D1/199  
D. 381,485 7/1997 Reinhardt ..... D1/106  
5,009,918 4/1991 Clairouin et al. .... 426/643  
5,254,352 10/1993 Hartman et al. .... 426/643 X

*Primary Examiner*—Freda Nunn

*Assistant Examiner*—Linda Brooks

*Attorney, Agent, or Firm*—Oyen Wiggs Green & Mutala

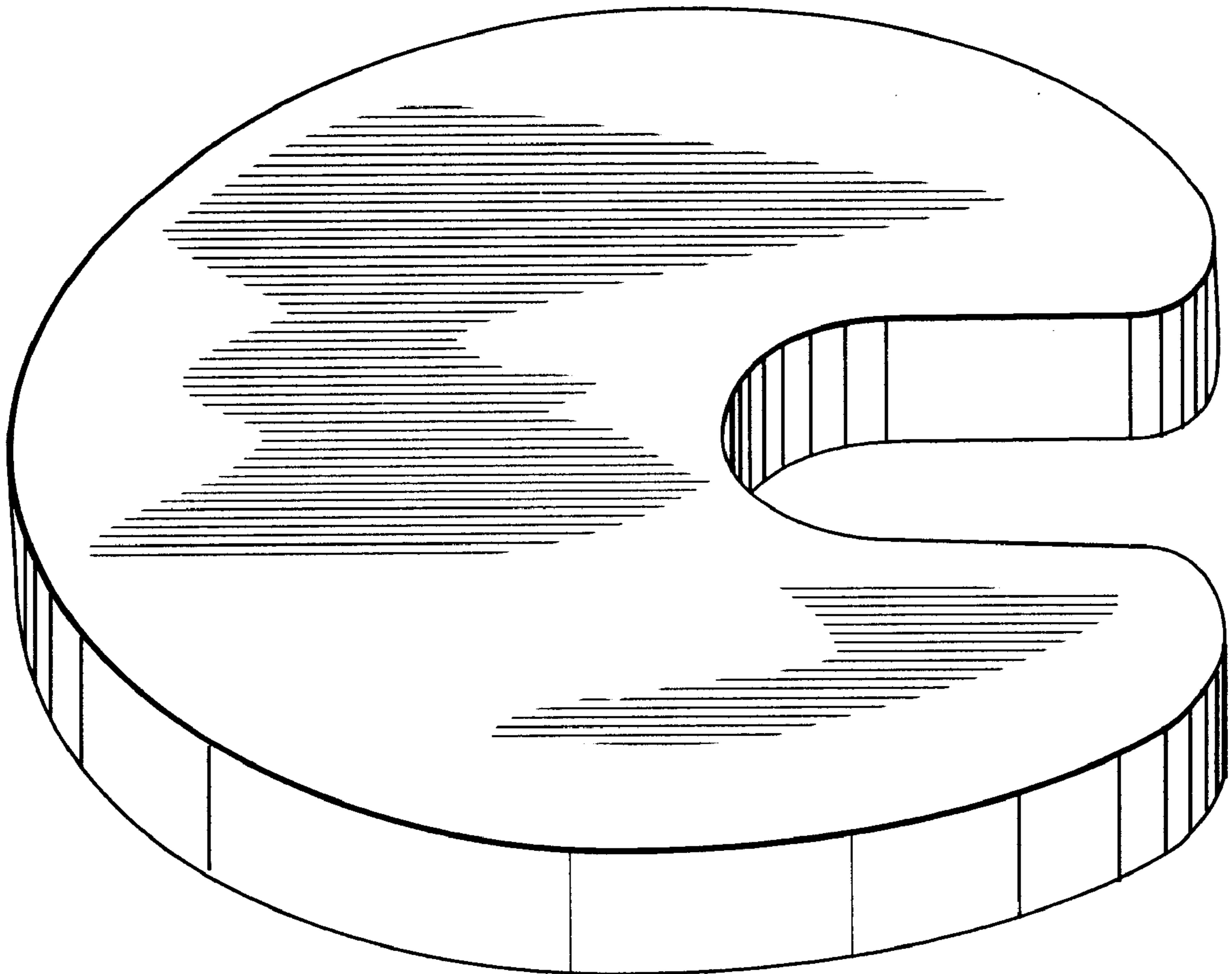
[57] **CLAIM**

The ornamental design for a fish patty, as shown and described.

**DESCRIPTION**

FIG. 1 is a top plan view of the fish patty;  
FIG. 2 is a bottom view of the fish patty;  
FIG. 3 is a front elevation view of the fish patty;  
FIG. 4 is a back elevation view of the fish patty;  
FIG. 5 is a perspective view of the fish patty from the left;  
and,  
FIG. 6 is a perspective view of the fish patty from the right.

**1 Claim, 2 Drawing Sheets**



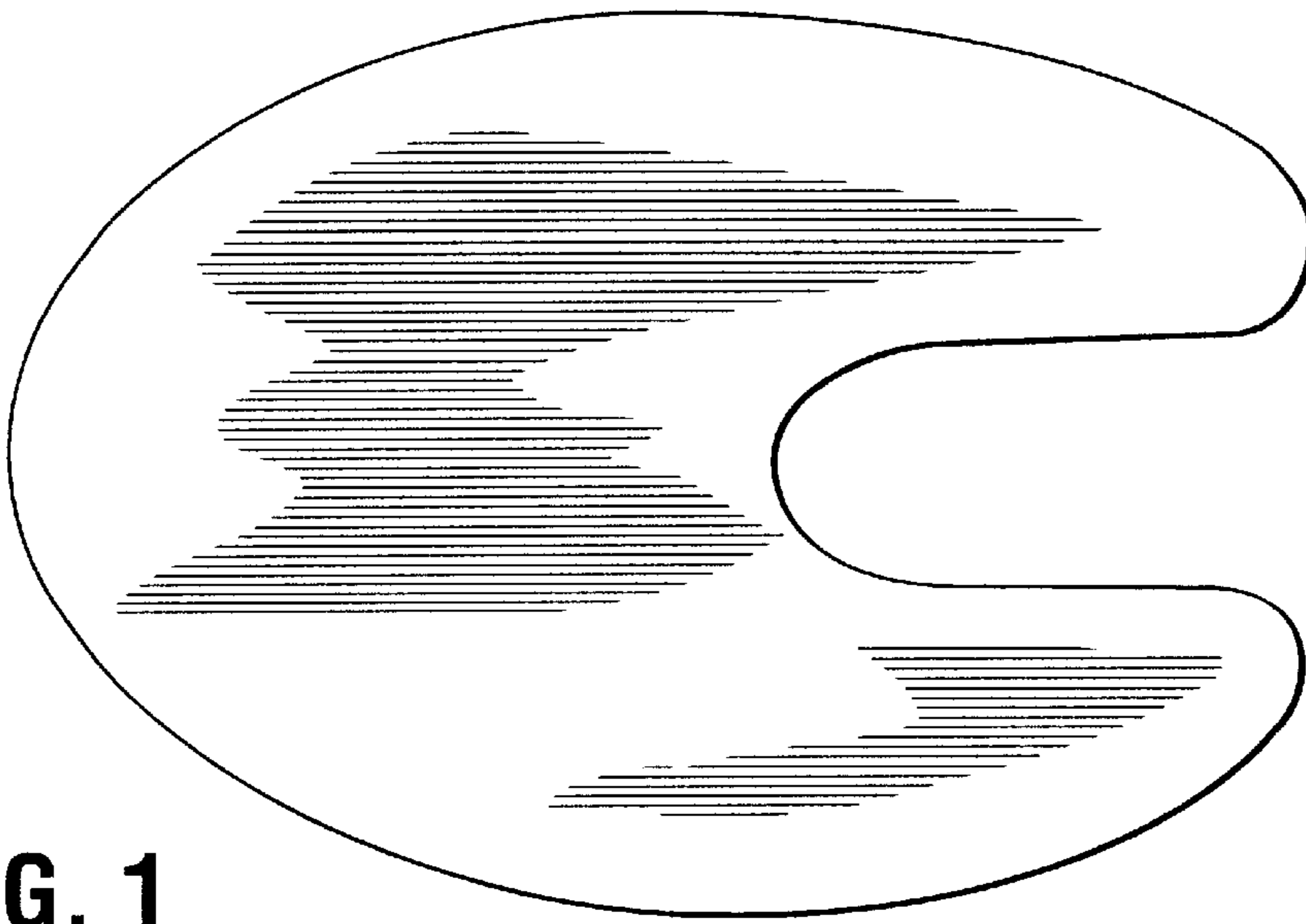


FIG. 1

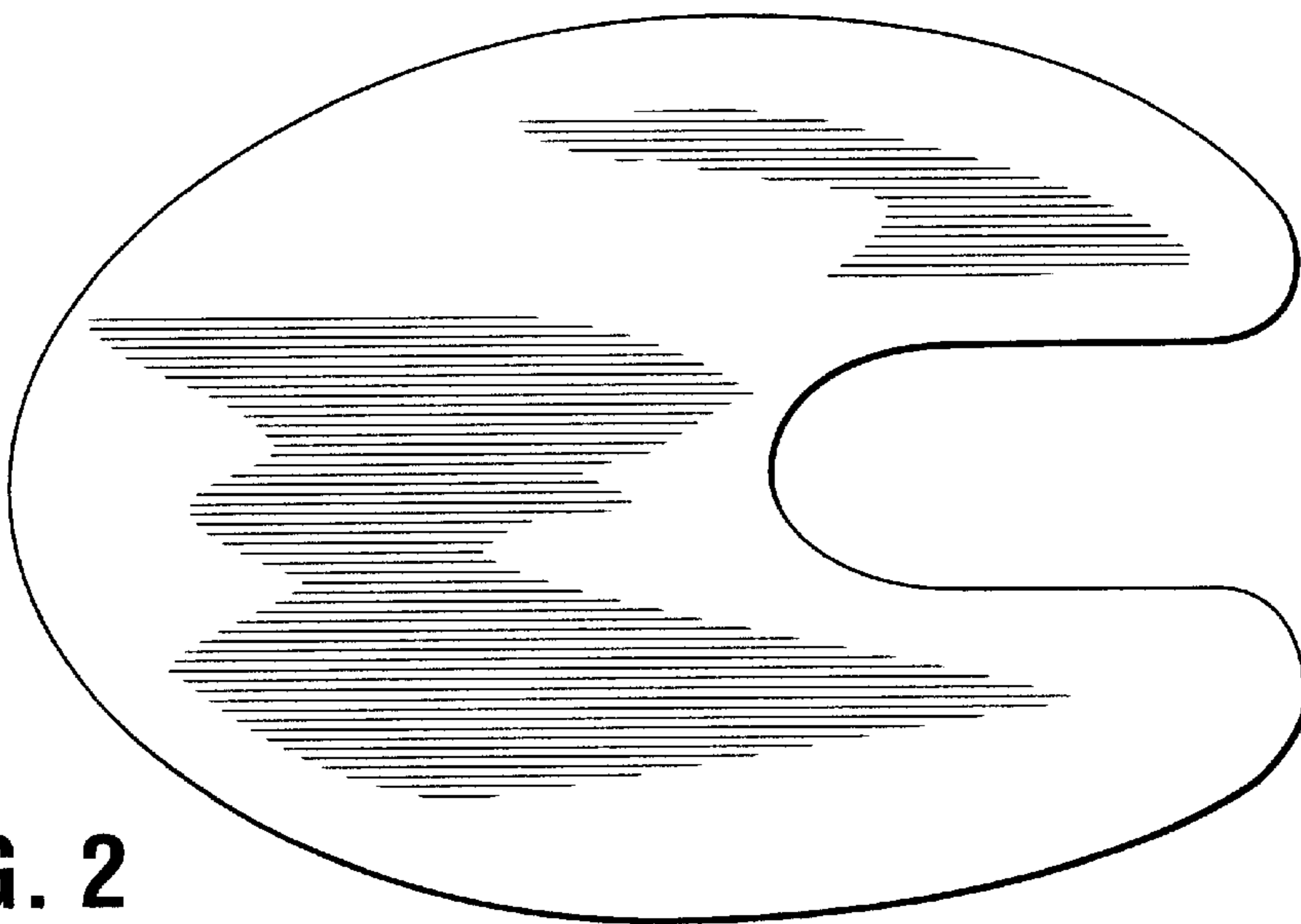


FIG. 2

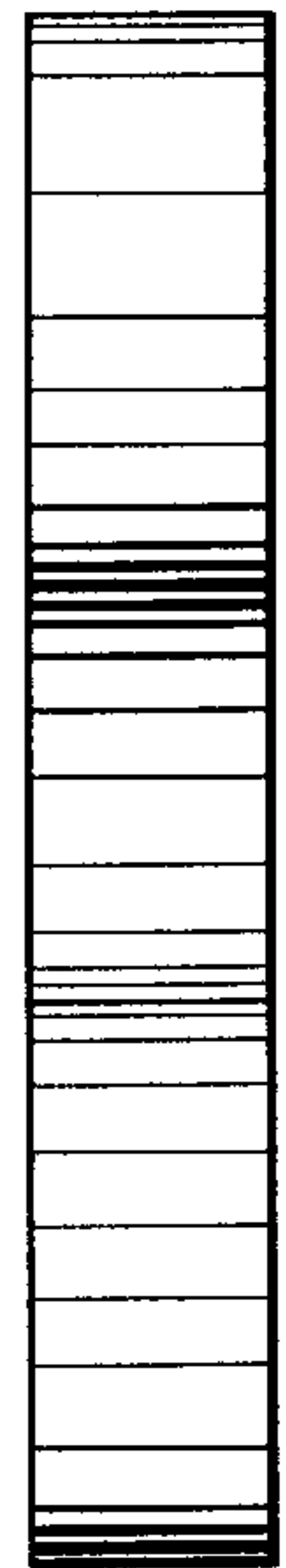
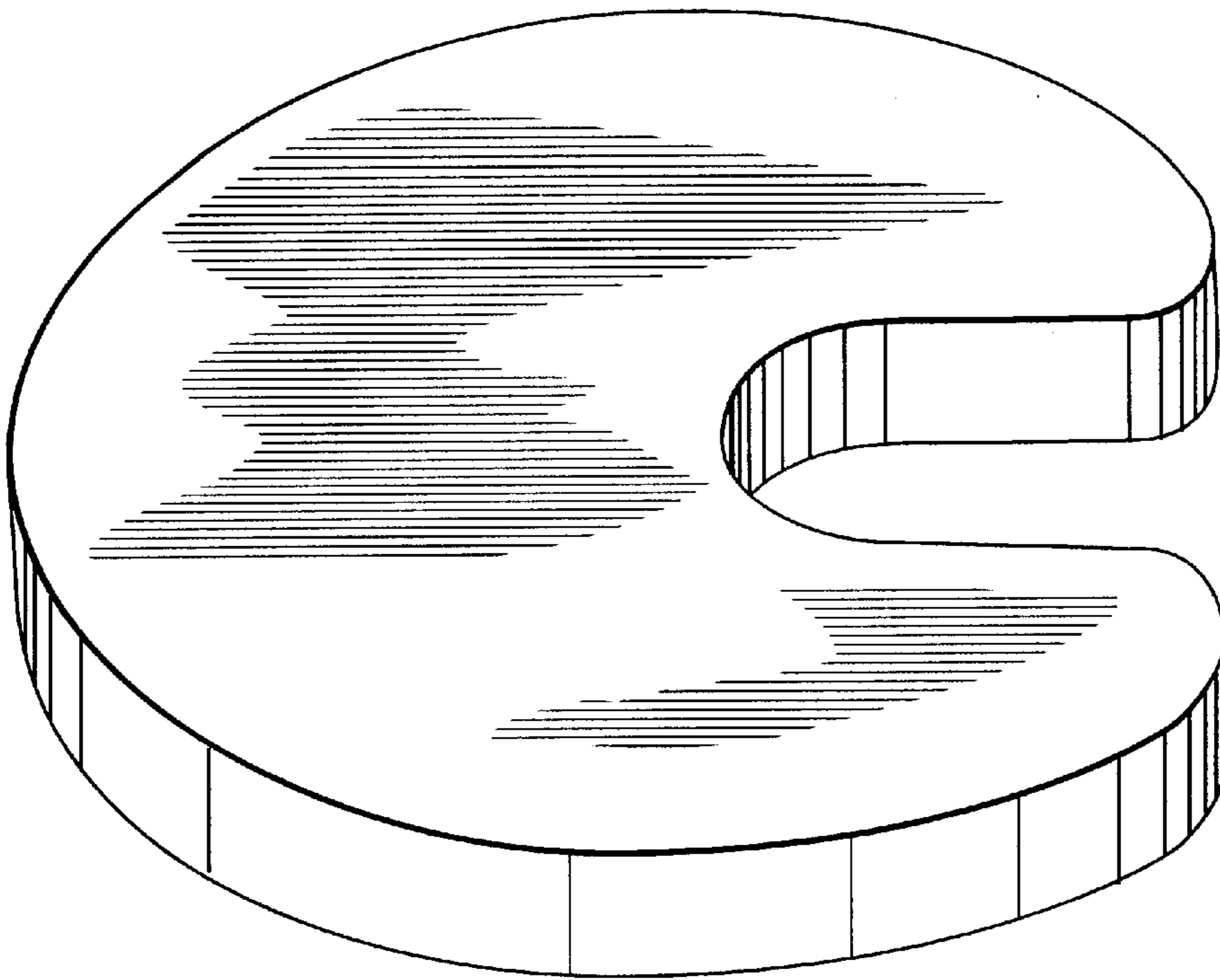


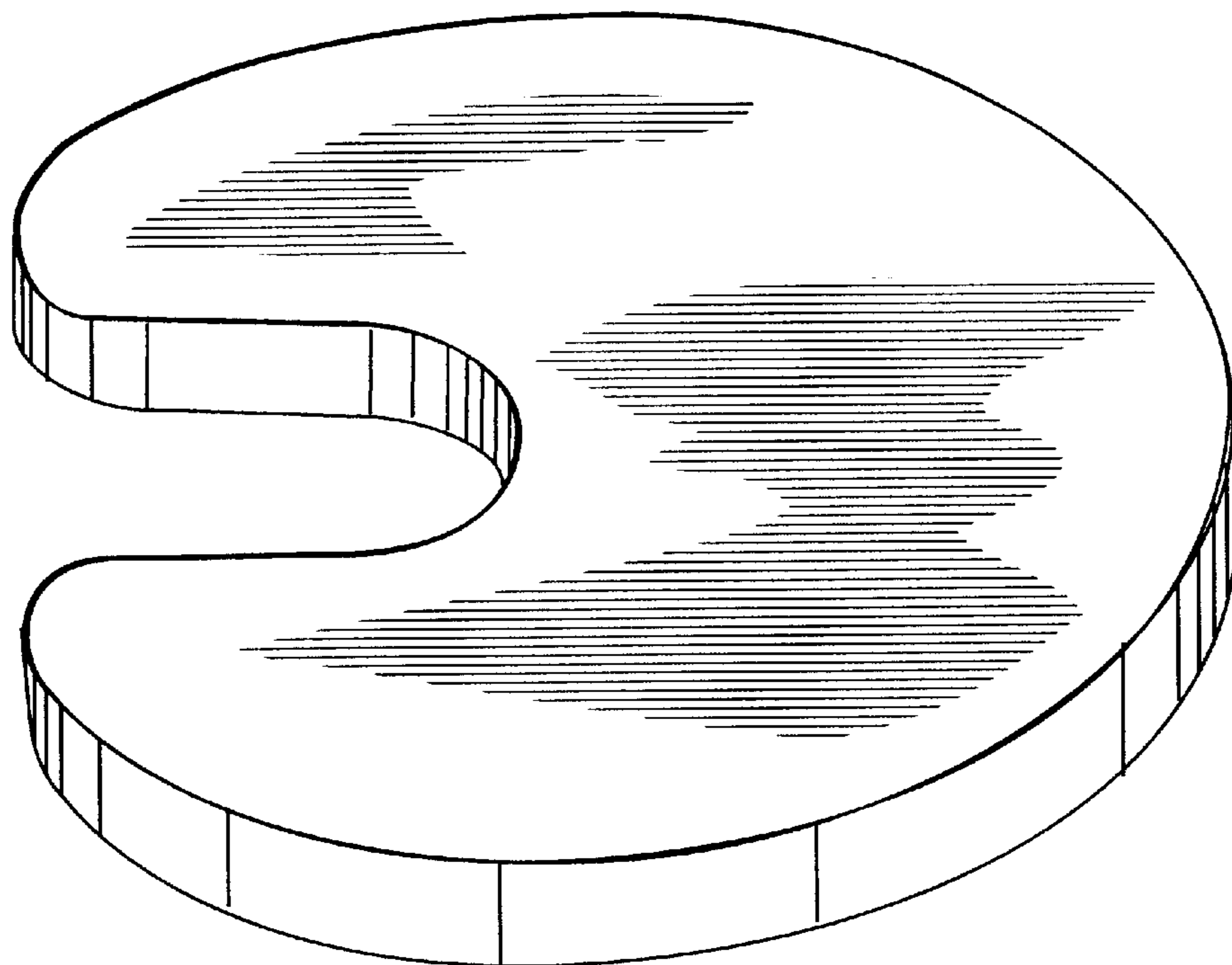
FIG. 3



FIG. 4



**FIG. 5**



**FIG. 6**