



US00D429052S

United States Patent [19]

[11] Patent Number: **Des. 429,052**

Ito et al.

[45] Date of Patent: **** Aug. 1, 2000**

[54] **PALLET FOR CRATES**

[76] Inventors: **Bill Ito; Mark Ito**, both of 750 Division Street, P.O. Box 755, Cobourg, Ontario, Canada, K9A 4R5

[**] Term: **14 Years**

[21] Appl. No.: **29/086,108**

[22] Filed: **Apr. 6, 1998**

[51] **LOC (7) Cl.** **09-08**

[52] **U.S. Cl.** **D34/38**

[58] **Field of Search** D34/38; 248/346.01, 248/346.06; 108/51.11, 52.1, 53.1, 54.1, 56.1, 57.1, 53.3

D. 411,682	6/1999	Edwards et al.	D34/38
3,511,191	5/1970	Barry et al.	108/51.11
4,243,197	1/1981	Wright	248/346.01 X
5,433,156	7/1995	Hutchison	108/56.1 X
5,758,855	6/1998	Jordan et al.	248/346.01
5,860,369	1/1999	John et al.	108/56.1 X
5,887,529	3/1999	John et al.	108/56.1
5,950,980	9/1999	Folmar	248/346.06 X

Primary Examiner—Susan J Lucas
Assistant Examiner—Cynthia E. Ramirez
Attorney, Agent, or Firm—Arne I. Fors

[57] CLAIM

The ornamental design for a pallet for crates, as shown and described.

DESCRIPTION

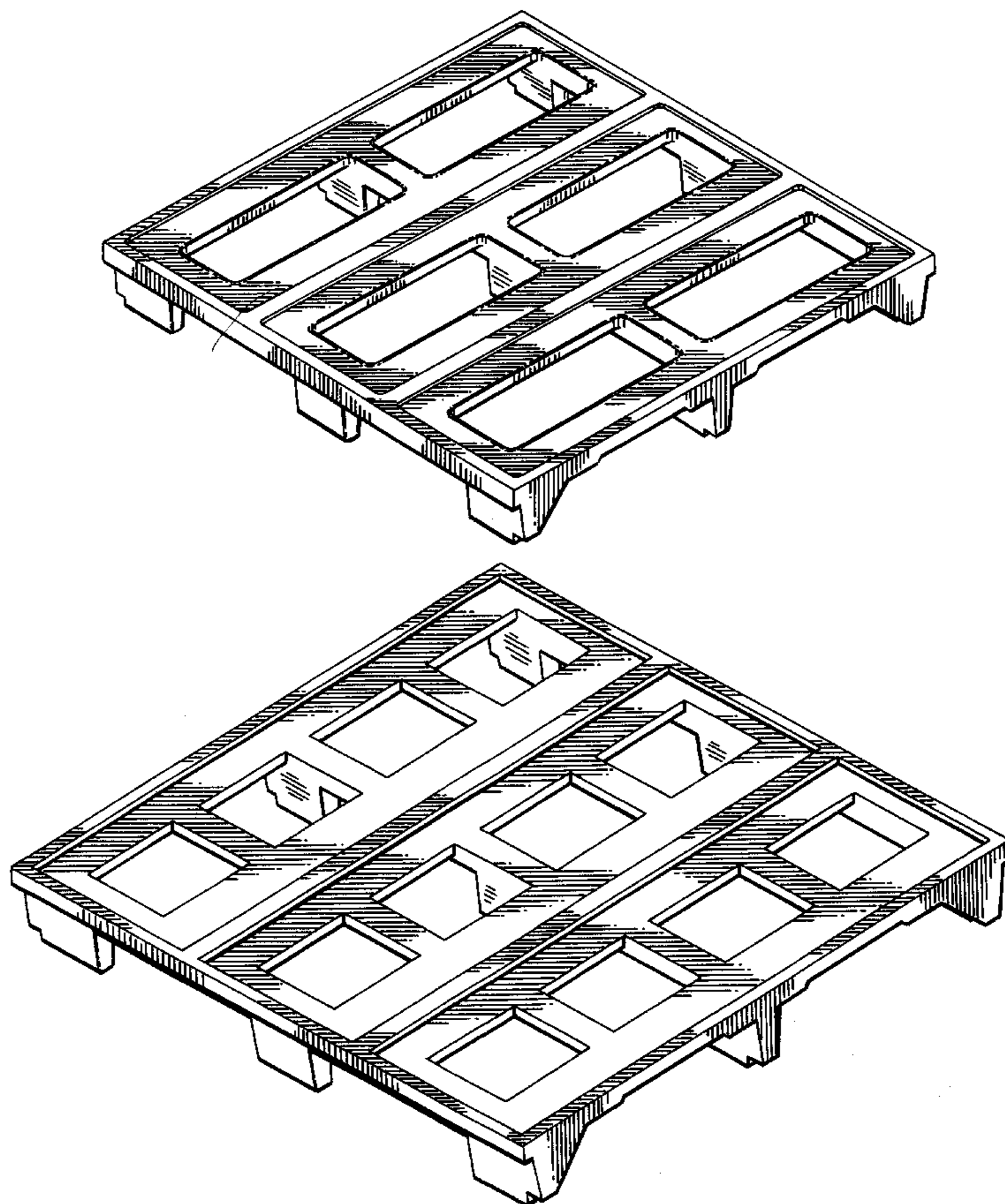
FIG. 1 is an top perspective view of a pallet for crates, showing our new design;
FIG. 2 is a bottom perspective view thereof;
FIG. 3 is a top plan view thereof;
FIG. 4 is an end elevation thereof, from the right as viewed in FIG. 1;
FIG. 5 is a bottom plan view thereof;
FIG. 6 is a side elevation thereof, from the left as viewed in FIG. 2; and,
FIG. 7 is a top perspective view of a second variant of our design.

[56] References Cited

U.S. PATENT DOCUMENTS

D. 217,861	6/1970	Bartee	D34/38
D. 221,636	8/1971	Mosses	D34/38
D. 221,744	9/1971	Cetrone et al.	D34/38
D. 231,653	5/1974	Irwing	D34/38
D. 279,617	7/1985	Helmer	D34/38
D. 343,041	1/1994	Beasley	D34/38
D. 348,136	6/1994	Haag et al.	D34/38
D. 357,108	4/1995	Hutchinson	D34/38
D. 374,537	10/1996	De Bruyn et al.	D34/38
D. 393,519	4/1998	Wail et al.	D34/38
D. 404,180	1/1999	Apps et al.	D34/38
D. 410,786	6/1999	Favaron et al.	D34/38

1 Claim, 4 Drawing Sheets



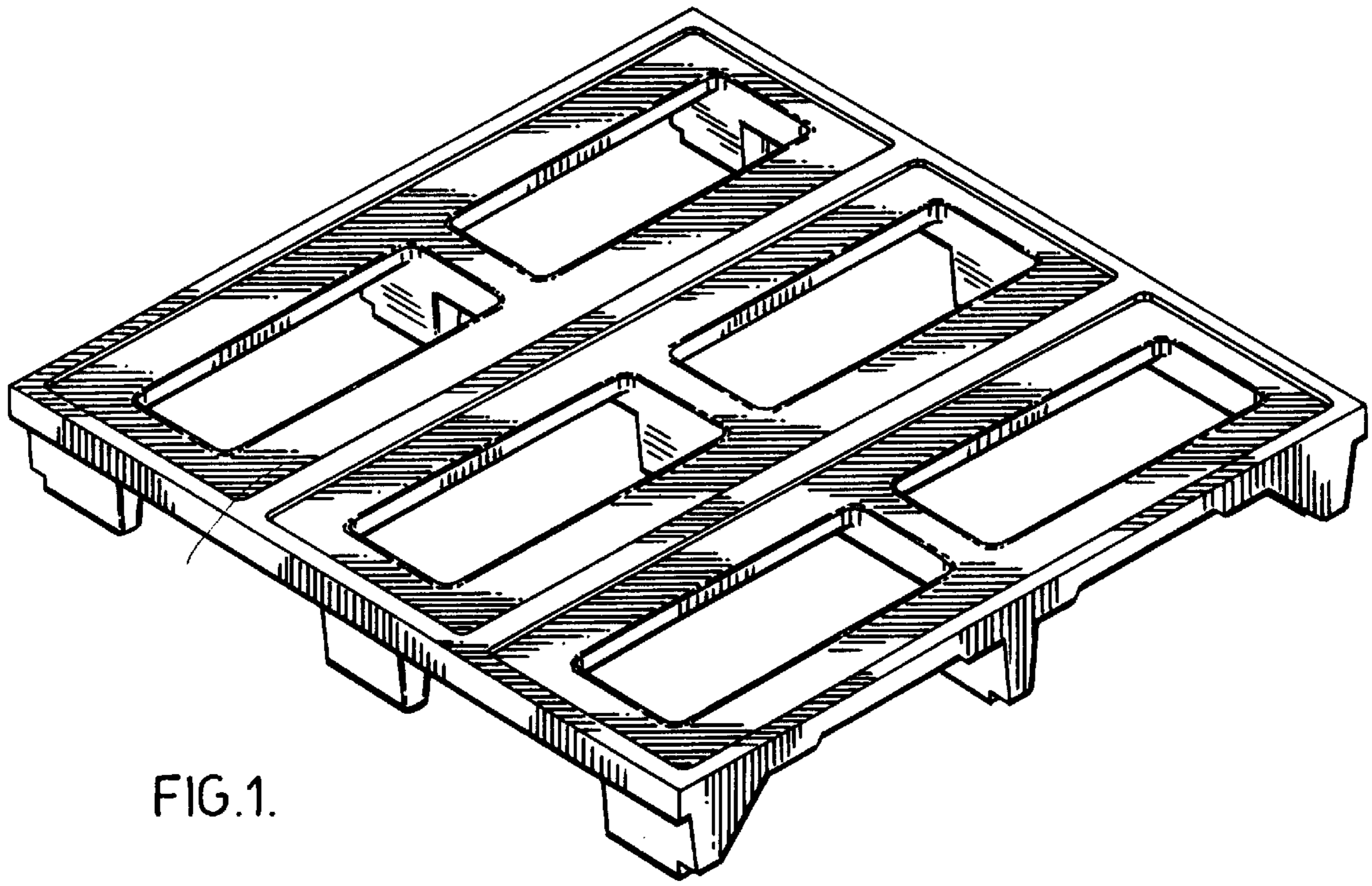


FIG. 1.

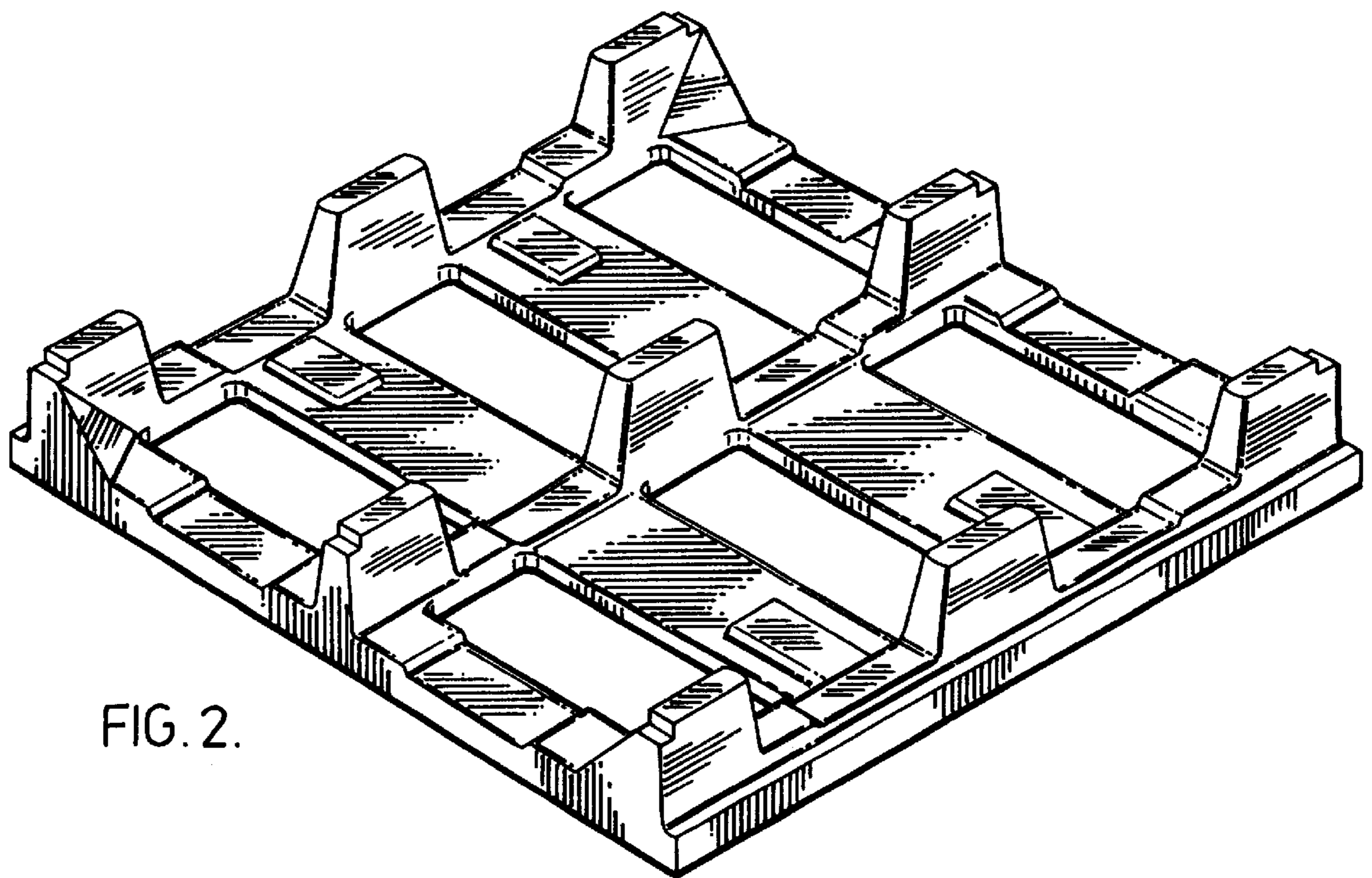


FIG. 2.

FIG. 3.

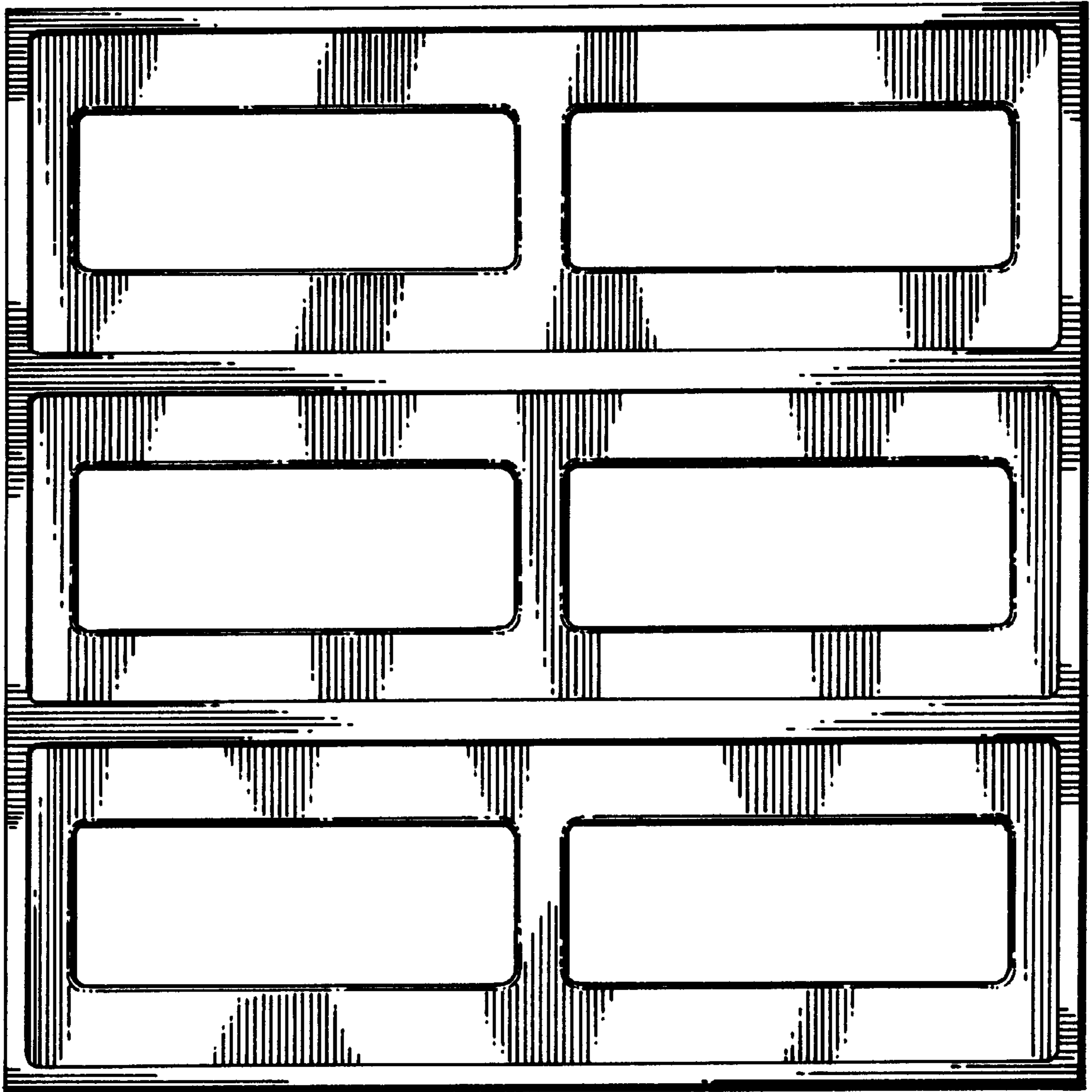


FIG. 4.

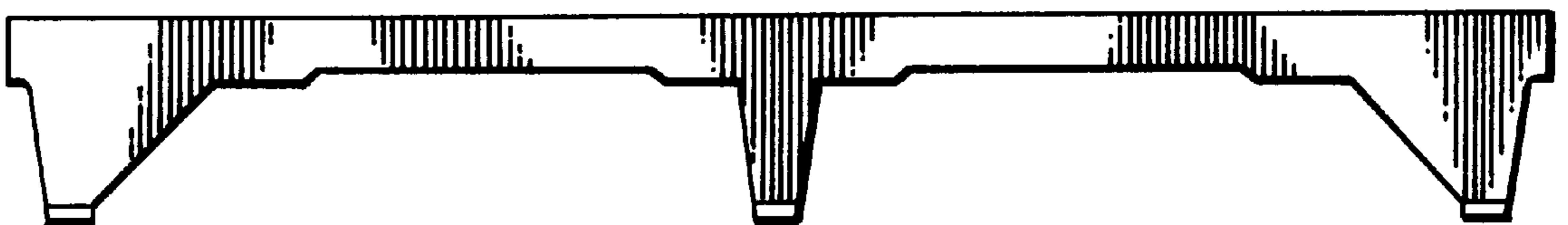


FIG. 5.

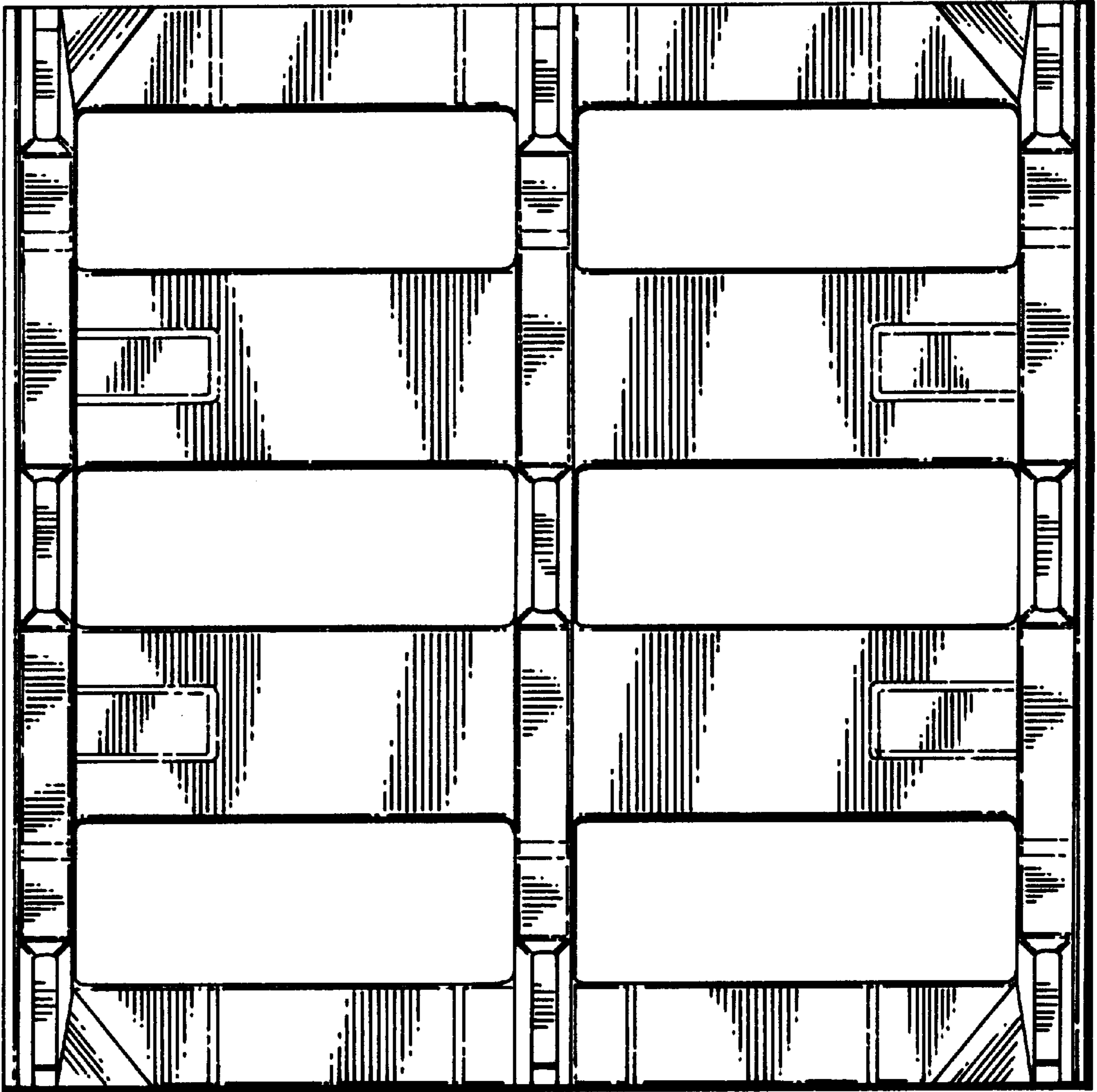


FIG. 6.



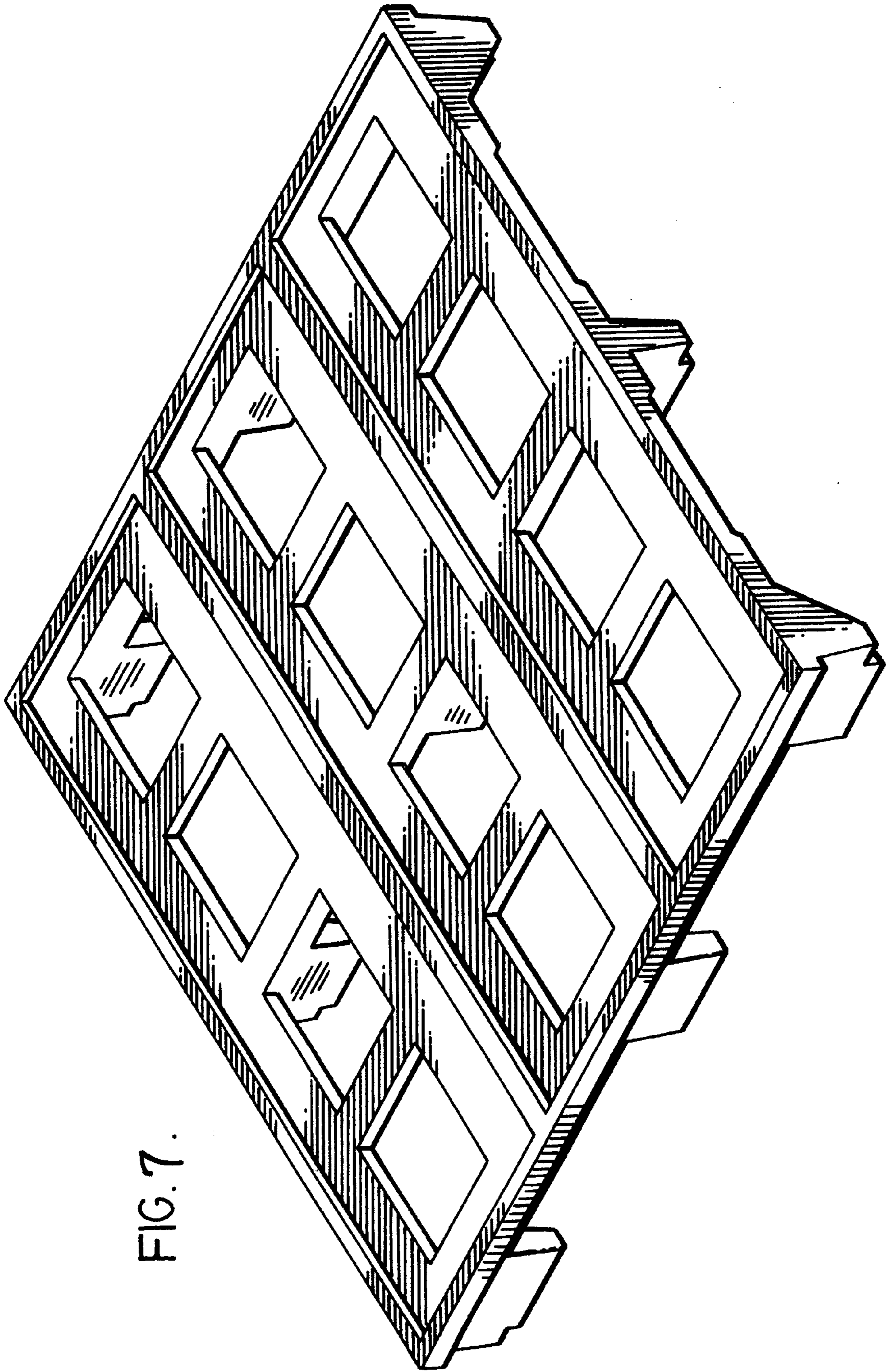


FIG. 7.