



US00D429051S

United States Patent [19] Porter

[11] Patent Number: **Des. 429,051**

[45] Date of Patent: **** Aug. 1, 2000**

[54] **PORTABLE HOIST**

[76] Inventor: **Richard Porter**, 1746 21st St., Ogden, Utah 84401

[**] Term: **14 Years**

[21] Appl. No.: **29/081,337**

[22] Filed: **Dec. 30, 1997**

[51] **LOC (7) Cl.** **12-05**

[52] **U.S. Cl.** **D34/33**

[58] **Field of Search** D34/28, 31, 33, D34/34, 35; D24/190; 414/496, 550, 563, 543, 569; 452/187, 189; 254/325, 266

[56] **References Cited**

U.S. PATENT DOCUMENTS

| | | | | |
|------------|---------|-----------------|-------|-----------|
| D. 241,839 | 10/1976 | Kammeraad | | D34/33 |
| D. 341,242 | 11/1993 | Thorby | | D34/33 |
| D. 349,996 | 8/1994 | Litwiller | | D34/33 |
| D. 358,696 | 5/1995 | Mims | | D34/28 |
| D. 367,144 | 2/1996 | Poskocil et al. | | D34/33 |
| D. 374,208 | 10/1996 | Eva, Jr. | | D12/408 |
| D. 376,885 | 12/1996 | Carey et al. | | D34/28 |
| D. 384,480 | 9/1997 | Patterson | | D34/36 |
| 3,854,594 | 12/1974 | Brookes | | 254/325 |
| 3,952,893 | 4/1976 | Kolesar | | 254/325 |
| 4,556,358 | 12/1985 | Harlan | | 414/550 |
| 4,710,090 | 12/1987 | De Luca | | 414/550 |
| 5,240,229 | 8/1993 | Timmons | | 254/325 X |

| | | | | |
|-----------|---------|-----------------|-------|-----------|
| 5,445,487 | 8/1995 | Koscinski, Jr. | | 414/543 |
| 5,520,498 | 5/1996 | DiBartolomeo | | 414/550 X |
| 5,588,907 | 12/1996 | DePietro et al. | | 452/187 |
| 5,662,451 | 9/1997 | Muzzi et al. | | 414/540 |
| 5,752,799 | 5/1998 | Carey et al. | | 414/543 |
| 5,791,858 | 8/1998 | Sasser | | 414/462 |

Primary Examiner—Susan J. Lucas
Assistant Examiner—Cynthia E. Ramirez
Attorney, Agent, or Firm—Thompson E. Fehr

[57] **CLAIM**

I claim the ornamental design for a portable hoist, as shown and described.

DESCRIPTION

FIG. 1 is an isometric view from above and in front of the portable hoist.

FIG. 2 is a lateral view, from a first side, of the portable hoist.

FIG. 3 is a lateral view, from the other side, of the portable hoist.

FIG. 4 is a front view of the portable hoist.

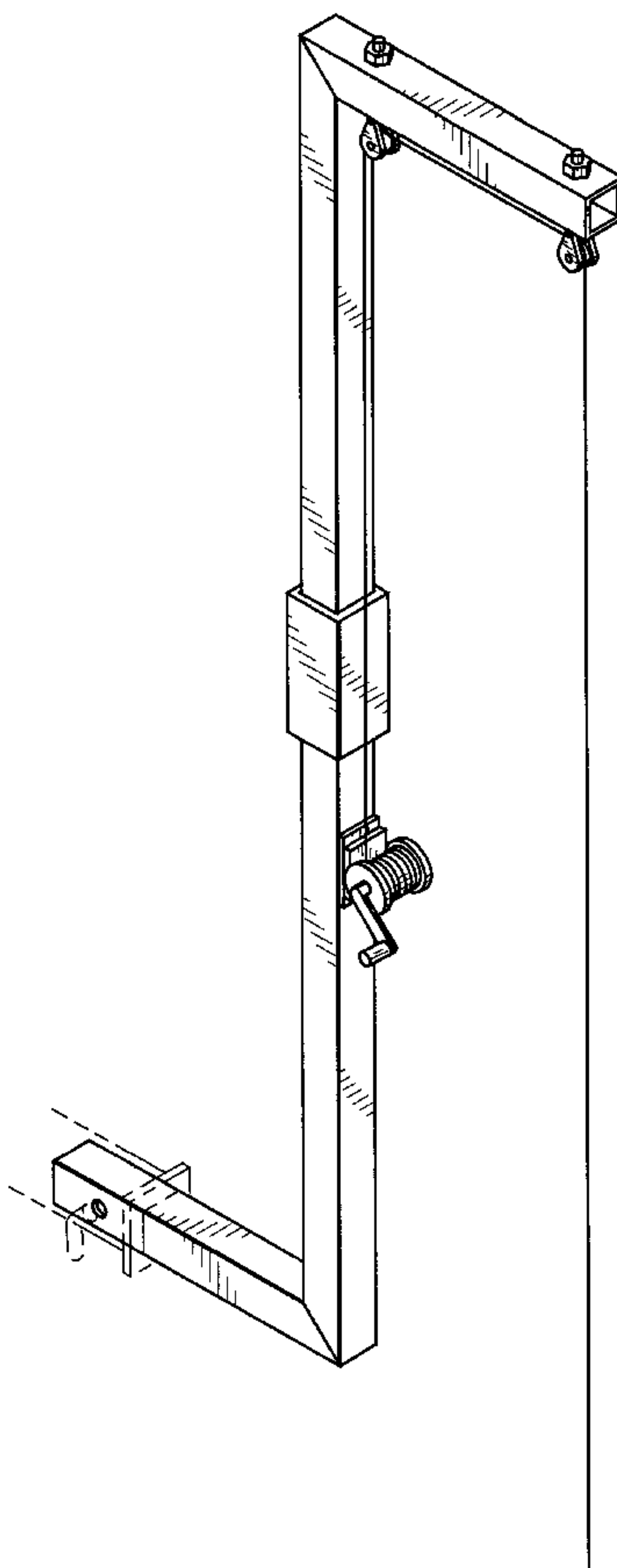
FIG. 5 is a rear view of the portable hoist.

FIG. 6 is a top view of the portable hoist; and,

FIG. 7 is a bottom view of the portable hoist.

The broken line showing of a hitch in FIG. 1 is for illustrative purposes only and forms no part of the claimed design.

1 Claim, 5 Drawing Sheets



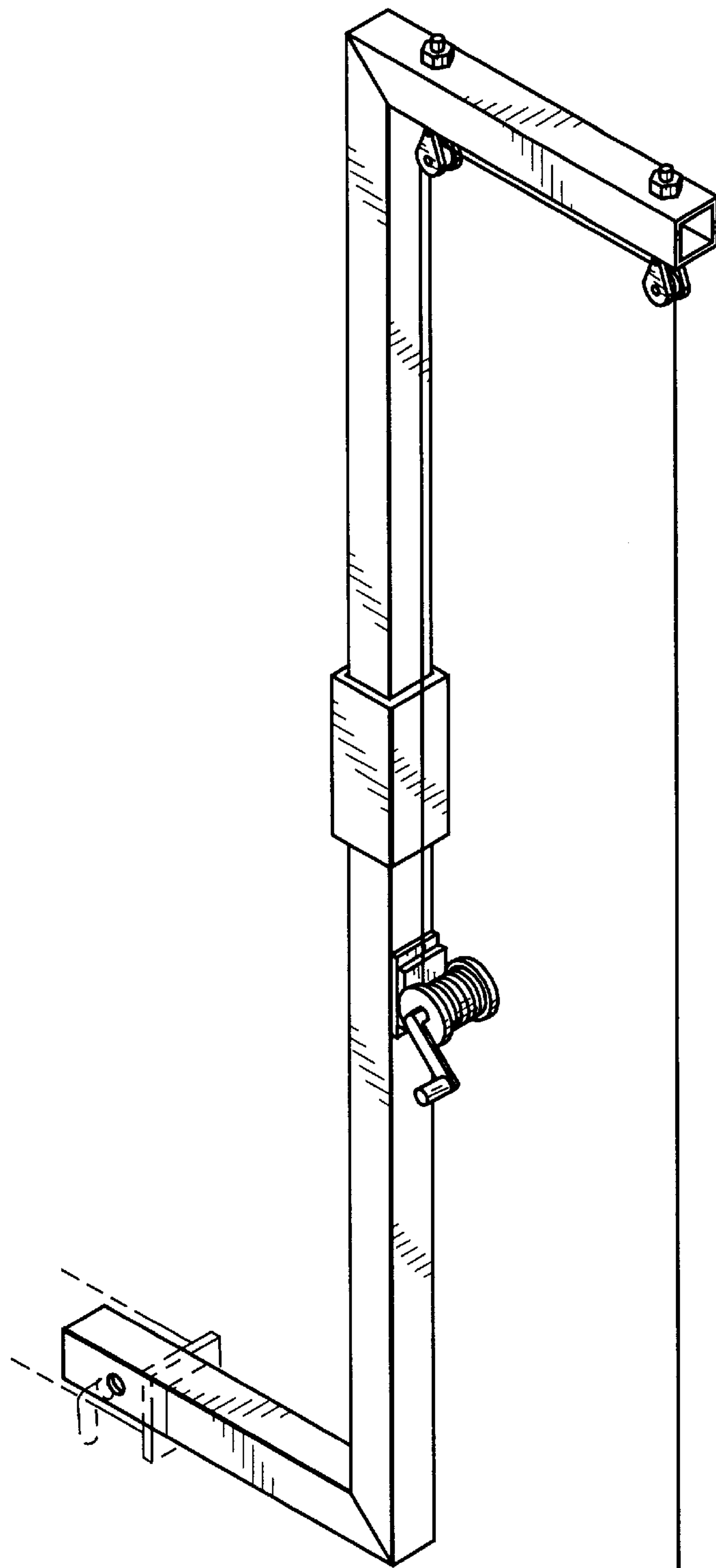


Fig. 1

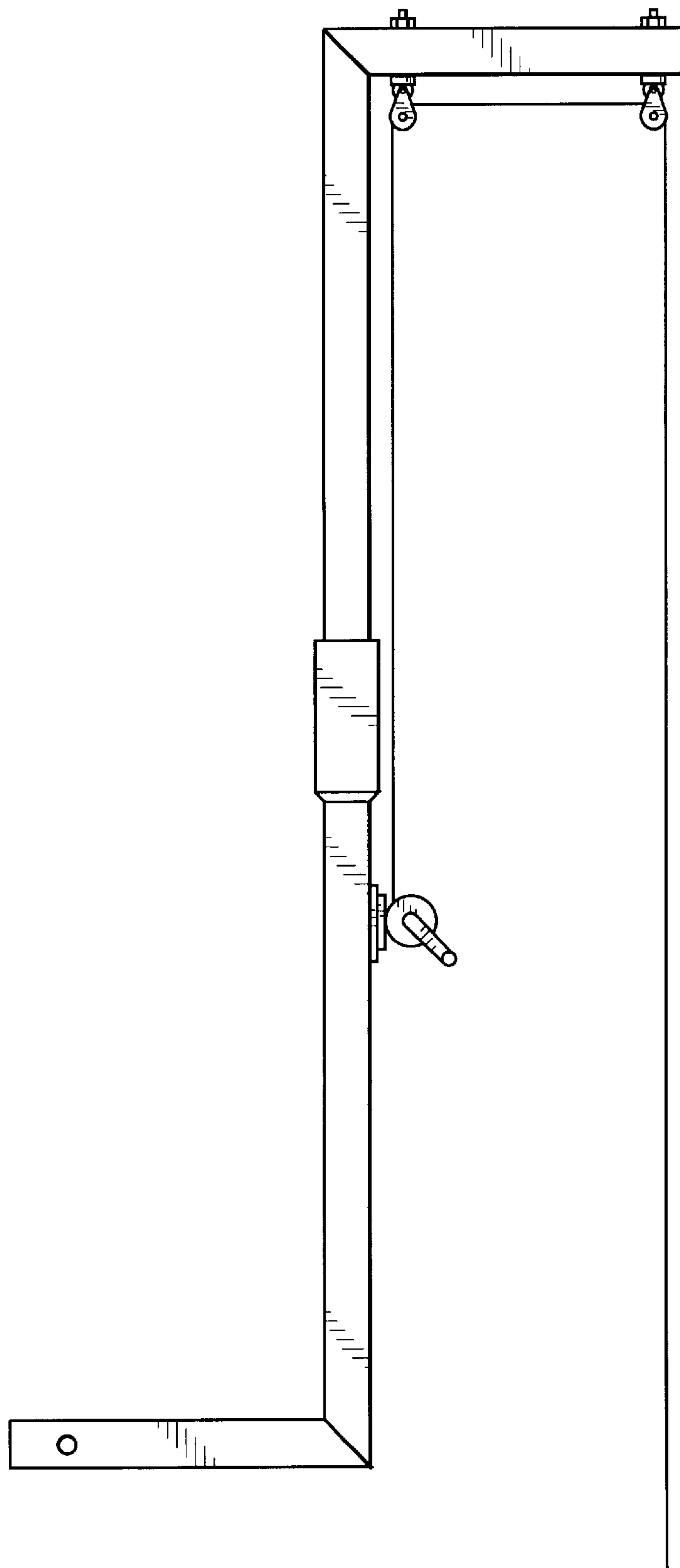


Fig. 2

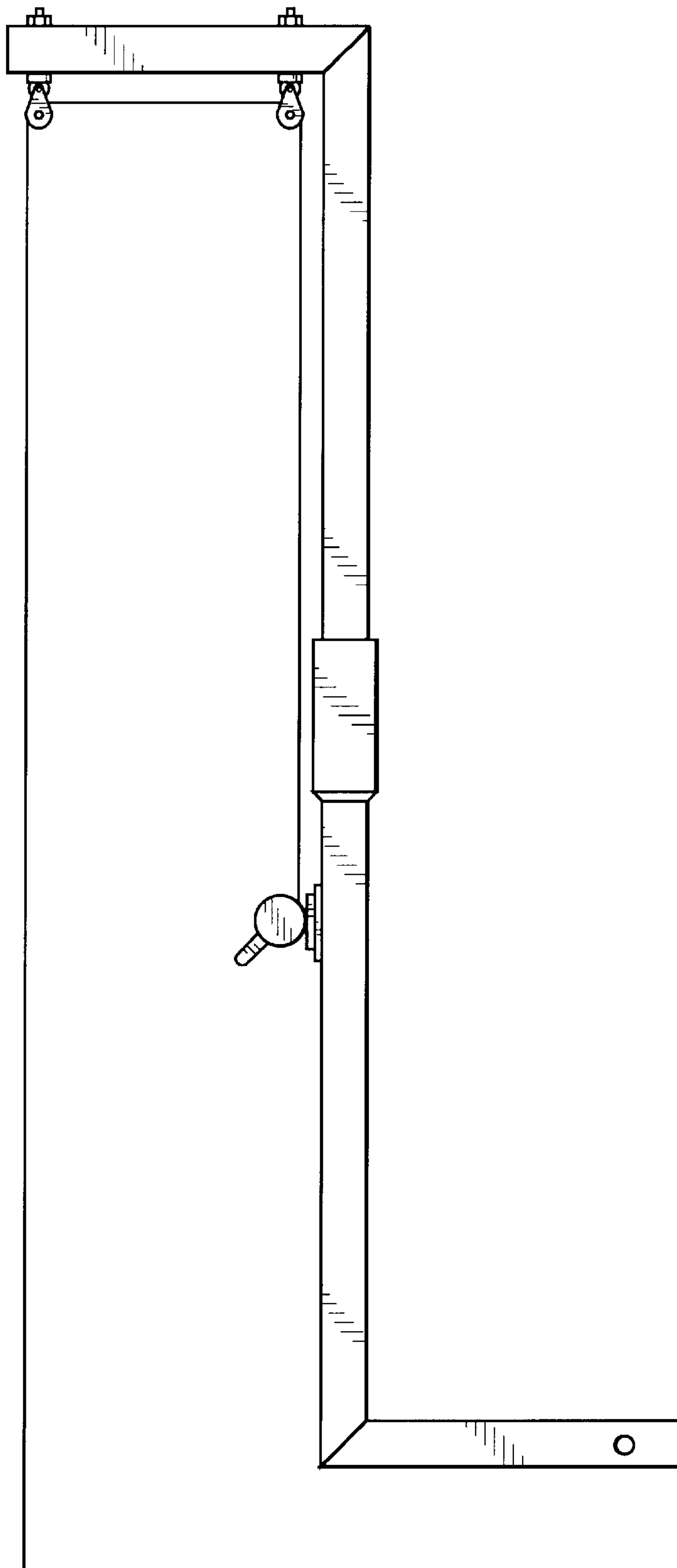


Fig. 3

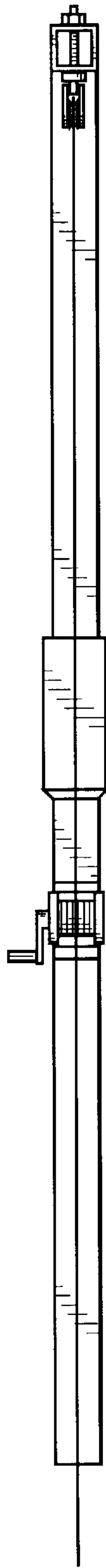


Fig. 4

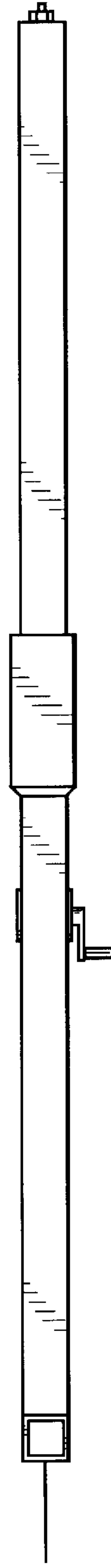


Fig. 5

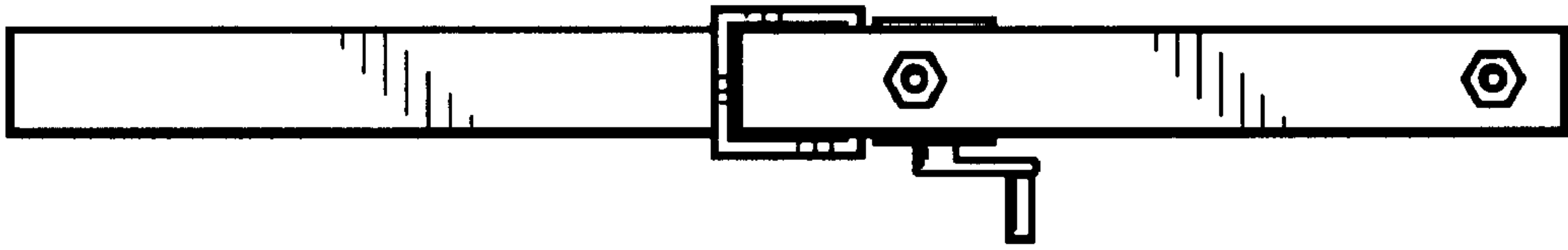


Fig. 6

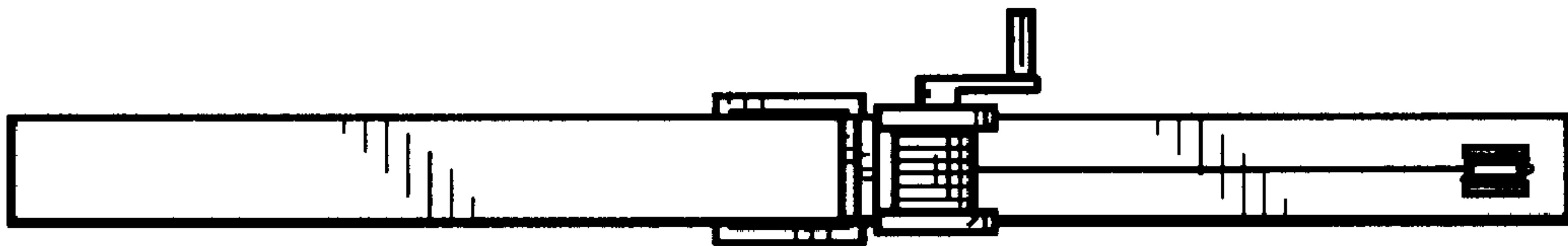


Fig. 7