



US00D429046S

United States Patent [19]

Hansen

[11] **Patent Number: Des. 429,046**

[45] **Date of Patent: ** Aug. 1, 2000**

[54] **SQUEEGEE HANDLE**

D. 355,061 1/1995 Stokes D32/41
5,101,530 4/1992 Hansen et al. 15/245

[75] Inventor: **Alan M. Hansen**, Lake Oswego, Oreg.

[73] Assignee: **Cleret, Inc.**, Portland, Oreg.

[**] Term: **14 Years**

Primary Examiner—Alan P. Douglas
Assistant Examiner—Lavone Tabor
Attorney, Agent, or Firm—Olson and Olson

[21] Appl. No.: **29/112,058**

[22] Filed: **Oct. 6, 1999**

[57] **CLAIM**

The ornamental design for the squeegee handle, as shown and described.

[51] **LOC (7) Cl.** **08-05**

[52] **U.S. Cl.** **D32/41**

[58] **Field of Search** D32/40, 41, 48,
D32/49; 15/143.1, 236.01, 236.02, 236.05,
236.06, 236.08, 245, 245.1; 30/169

DESCRIPTION

FIG. 1 is a perspective view of a squeegee handle of this invention as viewed from the bottom, rear, and side, a replaceable blade member not forming a part of the design being shown in broken lines.

FIG. 2 is a perspective view of the top front of the squeegee handle of FIG. 1; and,

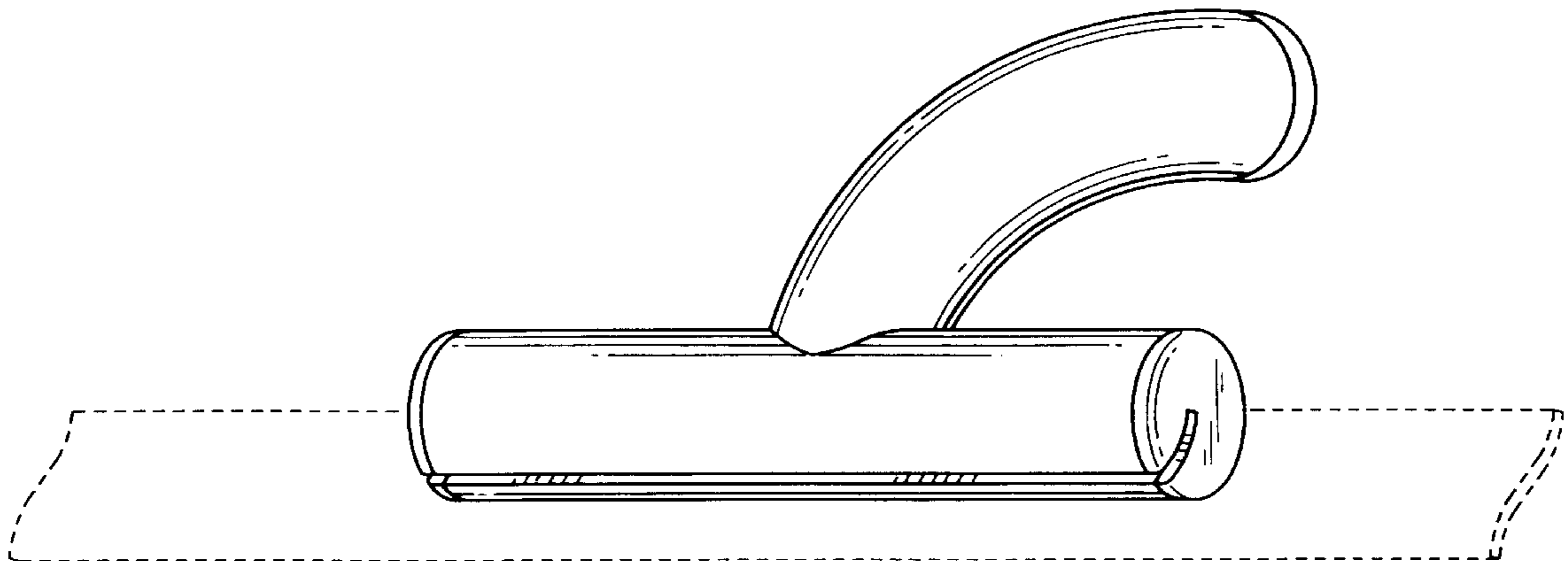
FIG. 3 is a right side elevation view of FIG. 2, the left side being a mirror image.

[56] **References Cited**

U.S. PATENT DOCUMENTS

D. 328,807 8/1992 Millar D32/41
D. 342,355 12/1993 Schildkraut D32/41

1 Claim, 1 Drawing Sheet



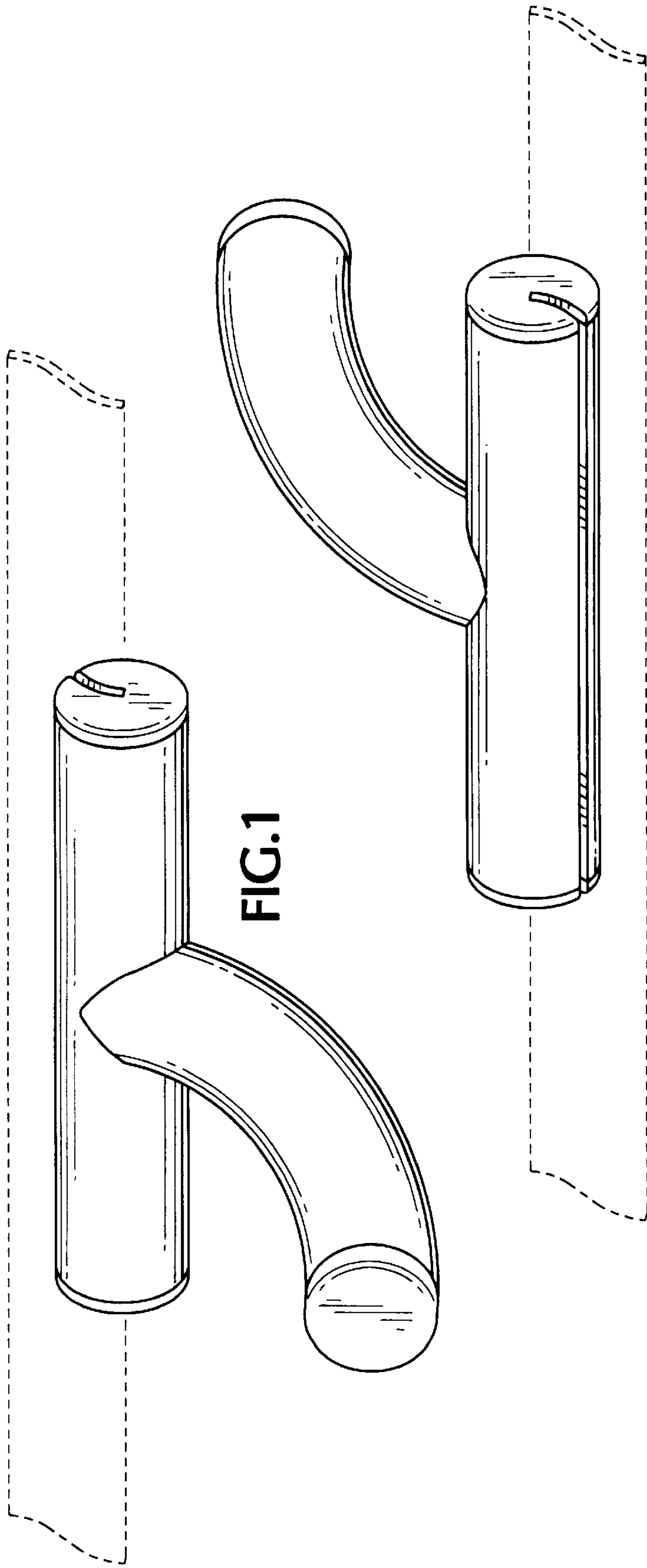


FIG. 2

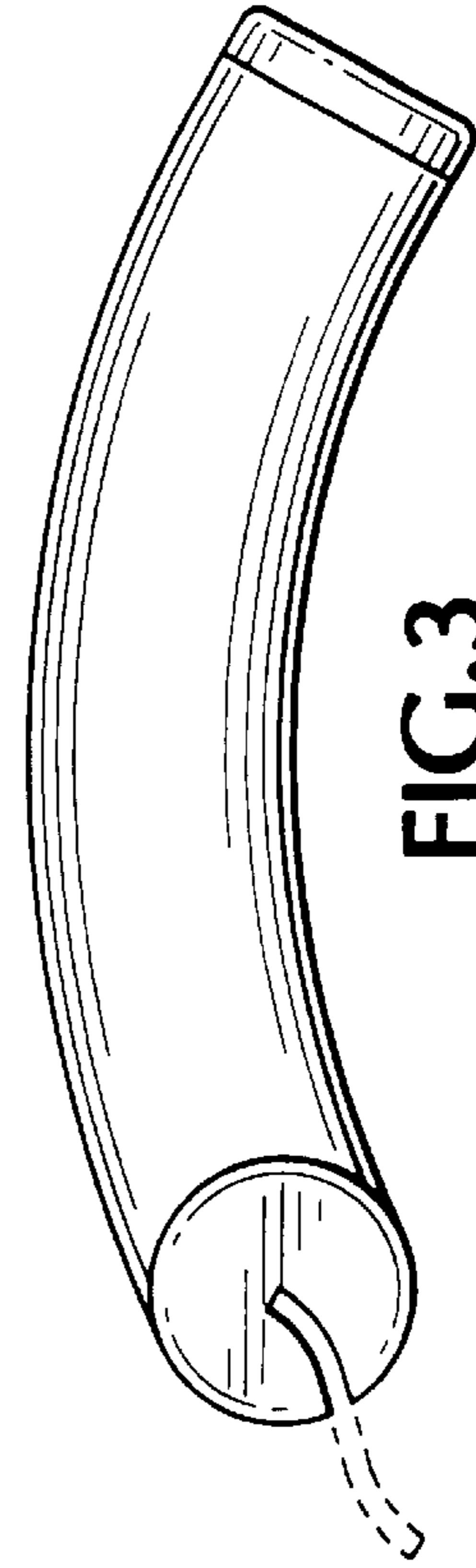


FIG. 3