



US00D429044S

# United States Patent [19]

[11] **Patent Number: Des. 429,044**

**Saunders et al.**

[45] **Date of Patent: \*\* Aug. 1, 2000**

[54] **COMBINED VACUUM CLEANER HANDLE AND HOSE**

D. 361,415	8/1995	Knight .....	D32/31
D. 399,619	10/1998	Nakano et al. .	
4,697,299	10/1987	Brinkhoff et al. ....	15/323
5,125,127	6/1992	Bach et al. ....	15/323
5,142,731	9/1992	Resch .....	15/339
5,331,714	7/1994	Essex et al. ....	15/323
5,500,979	3/1996	Wörwag .....	15/349

[75] Inventors: **Craig M. Saunders**, Rocky River; **Jeffrey M. Kalman**, Cleveland; **John S. Murphy**, Brookpark; **Richard C. Farone**, Willoughby; **Robert A. Matousek**, Lakewood; **Michael F. Wright**, Stow; **David M. Brickner**, Willoughby, all of Ohio

*Primary Examiner*—Ruth McInroy  
*Attorney, Agent, or Firm*—Fay, Sharpe, Fagan, Minnich & McKee, LLP

[73] Assignee: **Royal Appliance Mfg. Co.**, Cleveland, Ohio

### [57] CLAIM

[\*\*] Term: **14 Years**

The ornamental design for a combined vacuum cleaner handle and hose, as shown and described.

[21] Appl. No.: **29/097,994**

### DESCRIPTION

[22] Filed: **Dec. 18, 1998**

FIG. 1 is a perspective view of the combined vacuum cleaner handle and hose showing our new design; FIG. 2 is a right side elevational view thereof and wherein the left side elevational view is a mirror image thereof; FIG. 3 is a front elevational view thereof; and, FIG. 4 is a rear elevational view thereof.

[51] **LOC (7) Cl.** ..... **15-05**

[52] **U.S. Cl.** ..... **D32/34**

[58] **Field of Search** ..... D32/17-18, 21-22, D32/31-34; 15/415.1-422.1, 320-322, 350-353, 323, 362, 410-412, 414, 347, 344

The parts shown in broken lines in FIGS. 1-4 are shown for illustrative purposes only and form no part of the claimed design.

### [56] References Cited

The end views of the article not shown in the drawings or described in the specification form no part of the claimed design.

#### U.S. PATENT DOCUMENTS

D. 313,095	12/1990	Avecilla et al. ....	D32/22
D. 344,821	3/1994	McKnight .....	D32/31

**1 Claim, 3 Drawing Sheets**

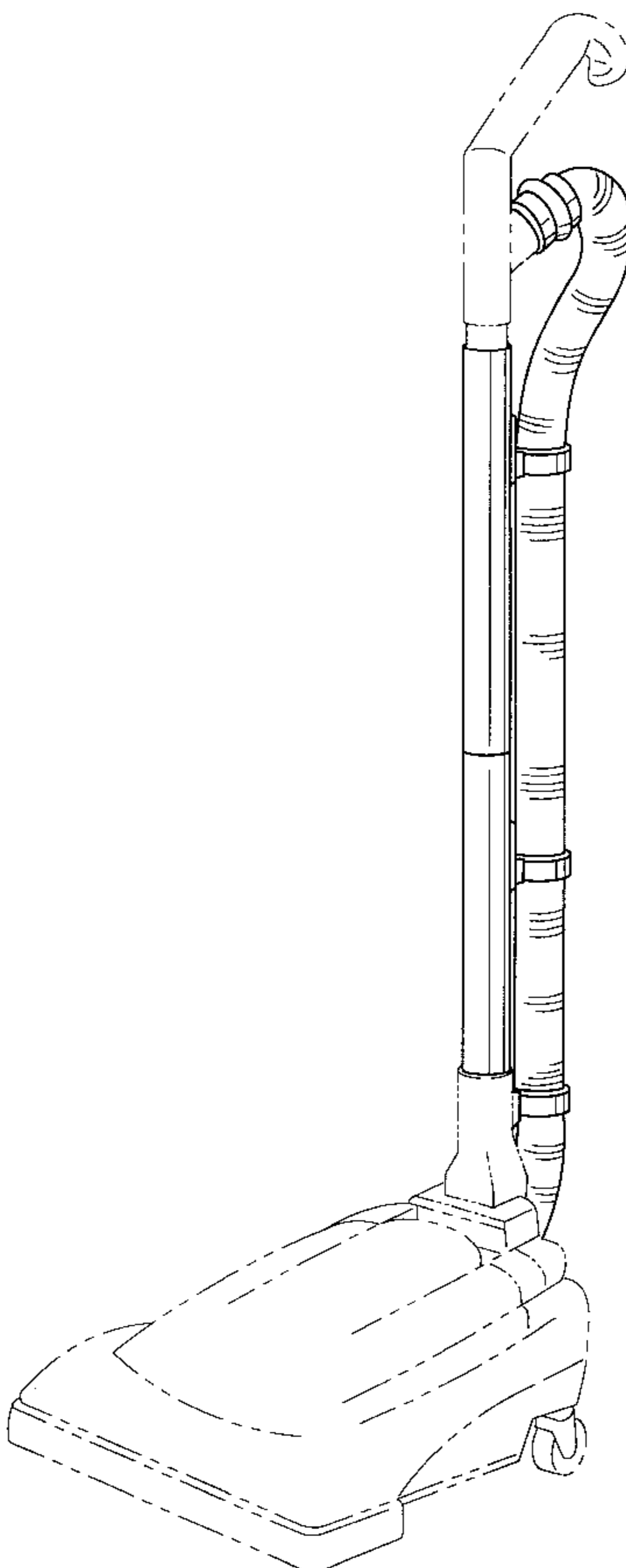


FIG. 1

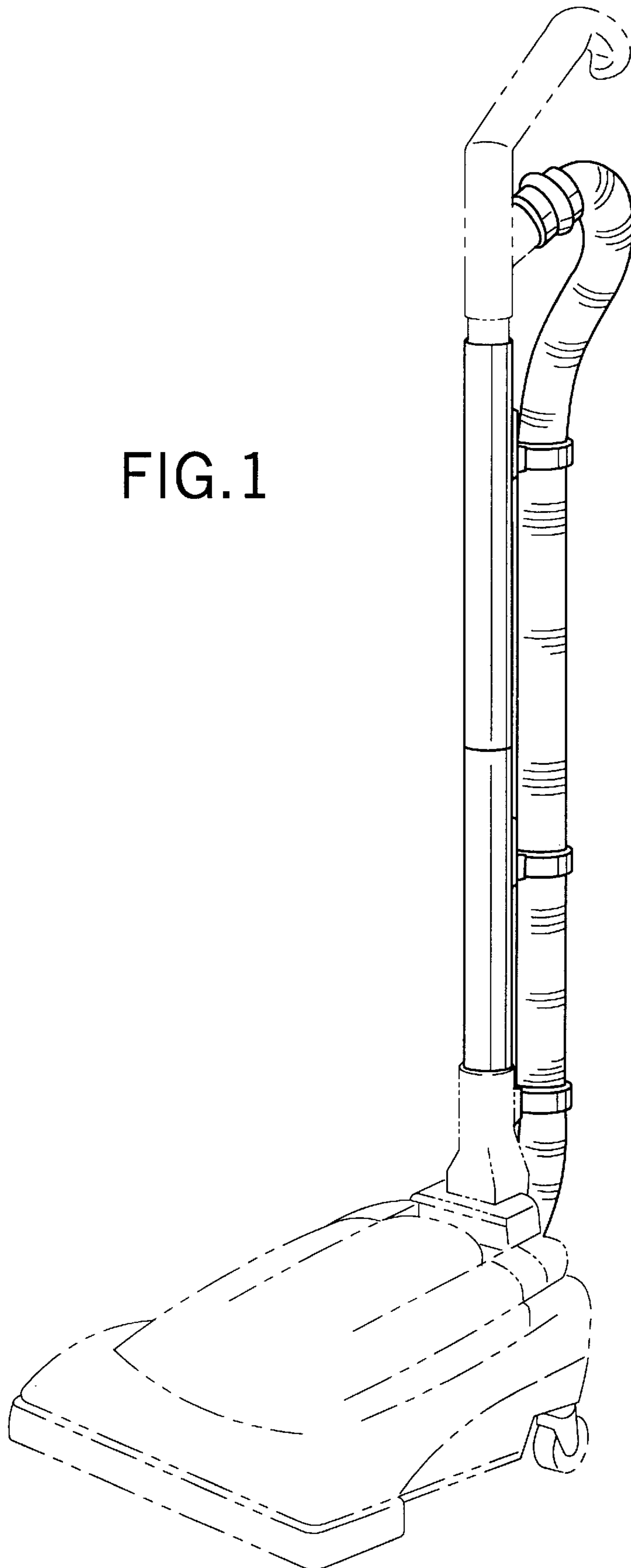
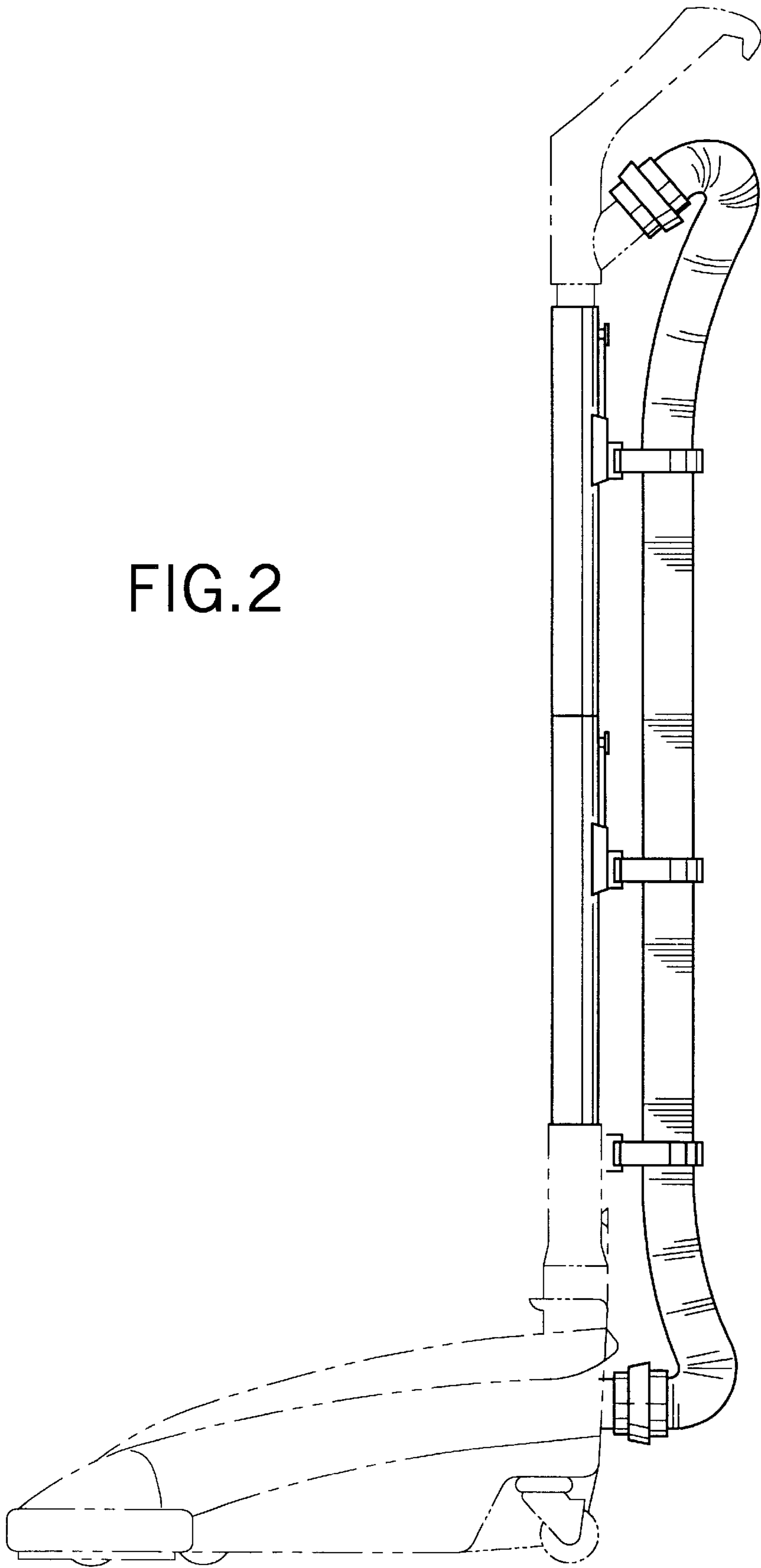


FIG.2



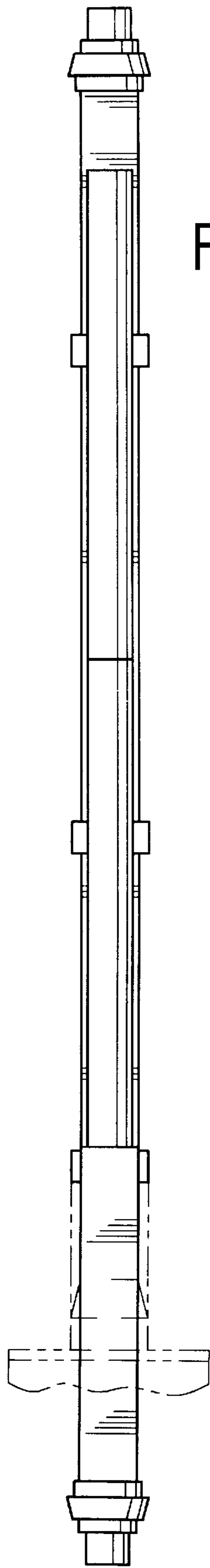


FIG.3

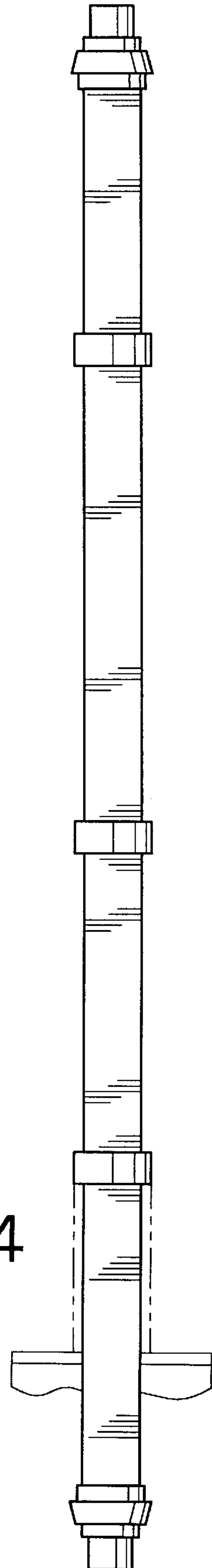


FIG.4