



US00D429043S

United States Patent [19] Fish

[11] Patent Number: Des. 429,043

[45] Date of Patent: ** Aug. 1, 2000

[54] **WHEEL AND EDGE-CLEANING BRUSH ATTACHMENT FOR VACUUMS**

[75] Inventor: **William G. Fish**, Gulfport, Miss.

[73] Assignee: **Oreck Holdings, LLC**, Cheyenne, Wyo.

[**] Term: **14 Years**

[21] Appl. No.: **29/086,518**

[22] Filed: **Apr. 14, 1998**

[51] **LOC (7) Cl.** **15-05**

[52] **U.S. Cl.** **D32/31**

[58] **Field of Search** D32/1, 14.1, 22, D32/25, 31-33, 39; D4/100, 102, 114, 119, 132; 15/398, 400, 21.1, 364, 42, 420, 416

[56] **References Cited**

U.S. PATENT DOCUMENTS

- D. 44,600 8/1913 Wells .
- D. 110,363 7/1938 Racicot .
- D. 151,570 10/1948 Taylor .
- D. 162,881 4/1951 Richardson .
- D. 181,529 11/1957 Halladay .

- 1,427,200 8/1922 Frank .
- 2,348,861 5/1944 Smellie .
- 2,862,226 12/1958 Peale .
- 3,959,844 6/1976 Cyphert 15/320
- 4,028,765 6/1977 Liebscher 15/42
- 4,219,902 9/1980 DeMaagd 15/364
- 5,557,822 9/1996 Yagi et al. 15/369
- 5,678,279 10/1997 Guhne et al. 15/371
- 5,839,161 11/1998 Liang .

Primary Examiner—Ruth McInroy
Attorney, Agent, or Firm—Seed and Berry LLP

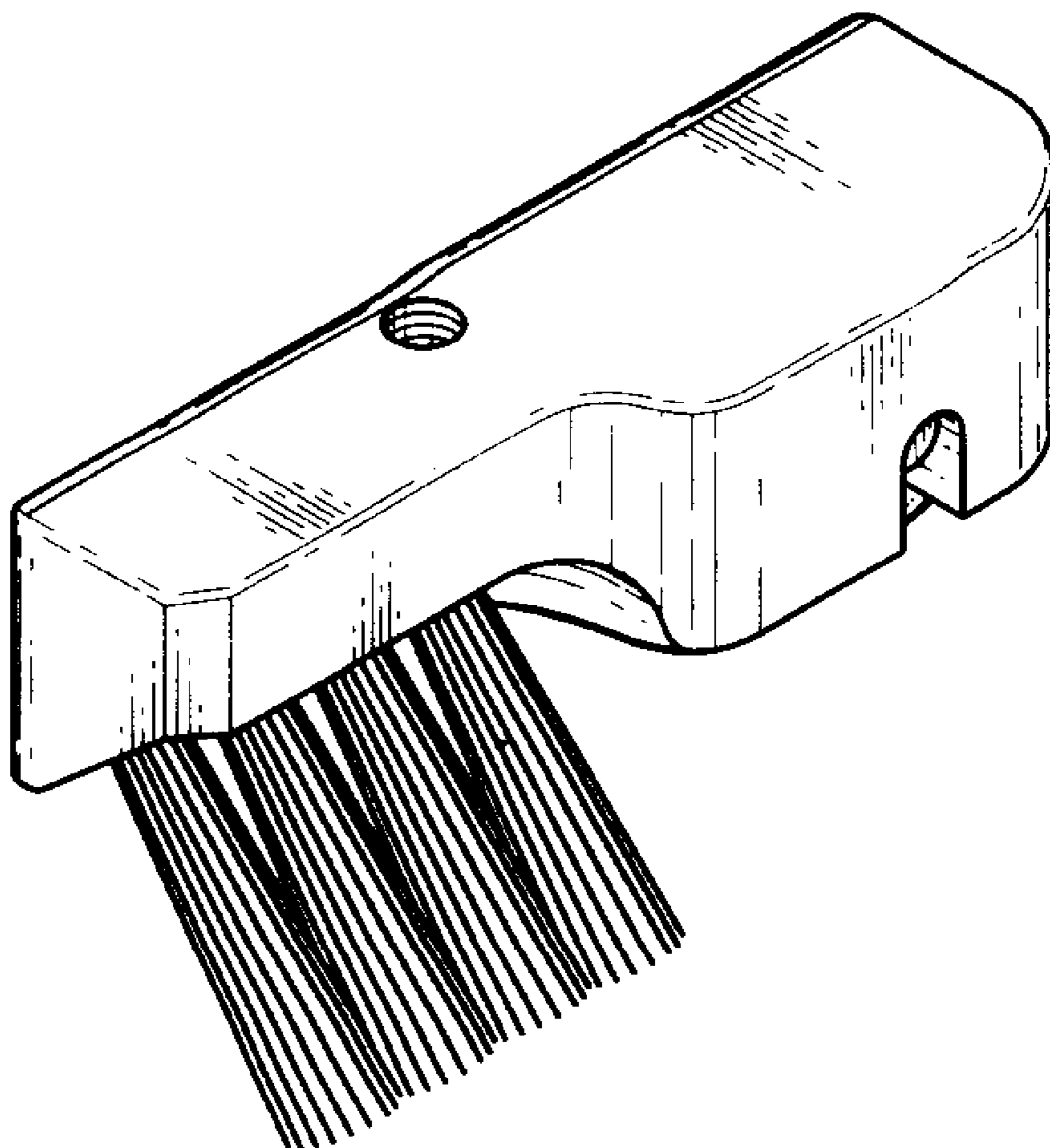
[57] **CLAIM**

I claim the ornamental design for a wheel and edge-cleaning brush attachment for vacuums, as shown and described.

DESCRIPTION

FIG. 1 is an isometric view of a wheel and edge-cleaning brush attachment for vacuums showing new design; FIG. 2 is a bottom plan view thereof; FIG. 3 is a top plan view thereof; FIG. 4 is a front elevation view thereof; FIG. 5 is a rear elevation view thereof; FIG. 6 is left side elevation view thereof; and, FIG. 7 is a right side elevation view thereof.

1 Claim, 1 Drawing Sheet



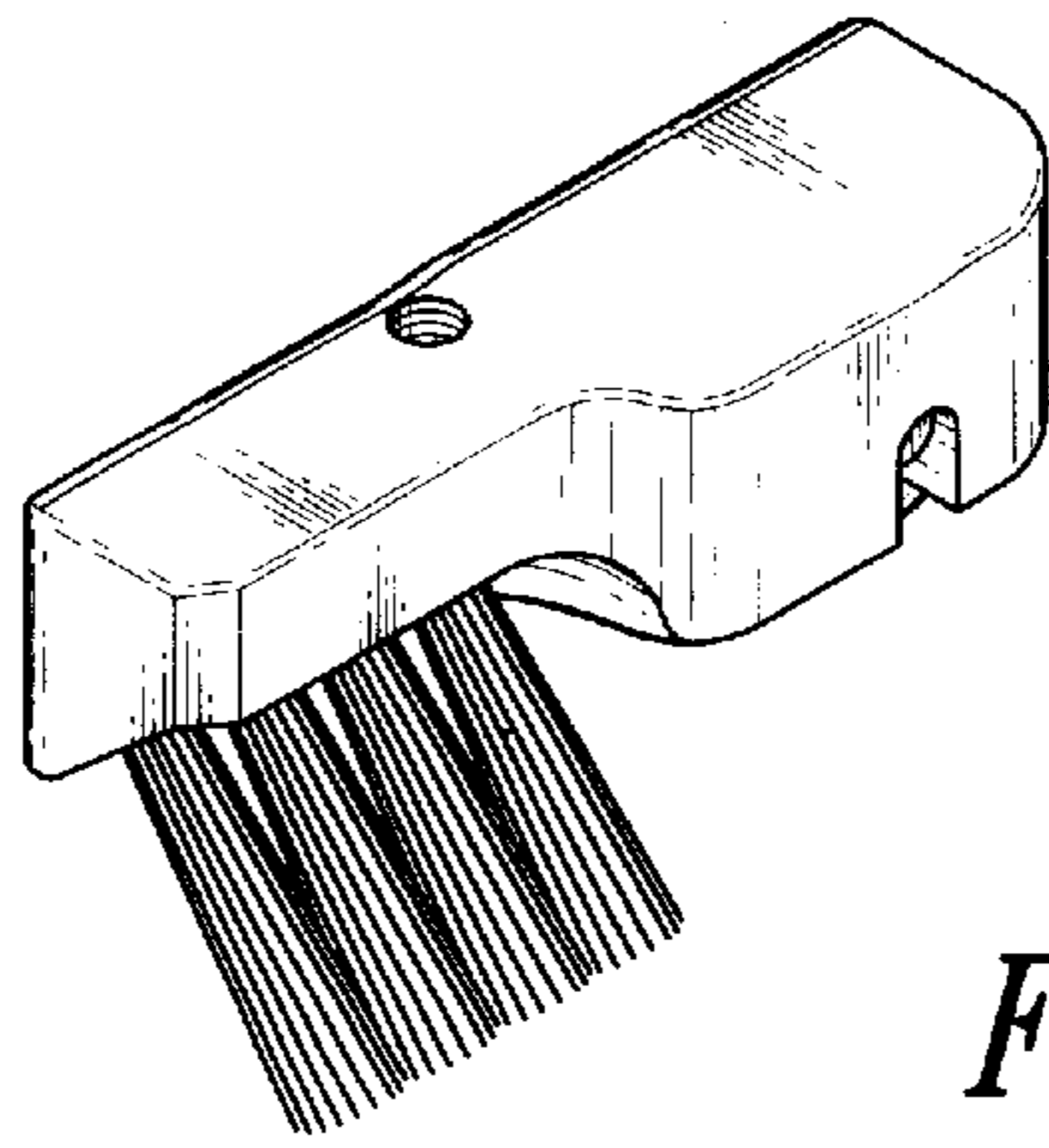


Fig. 1

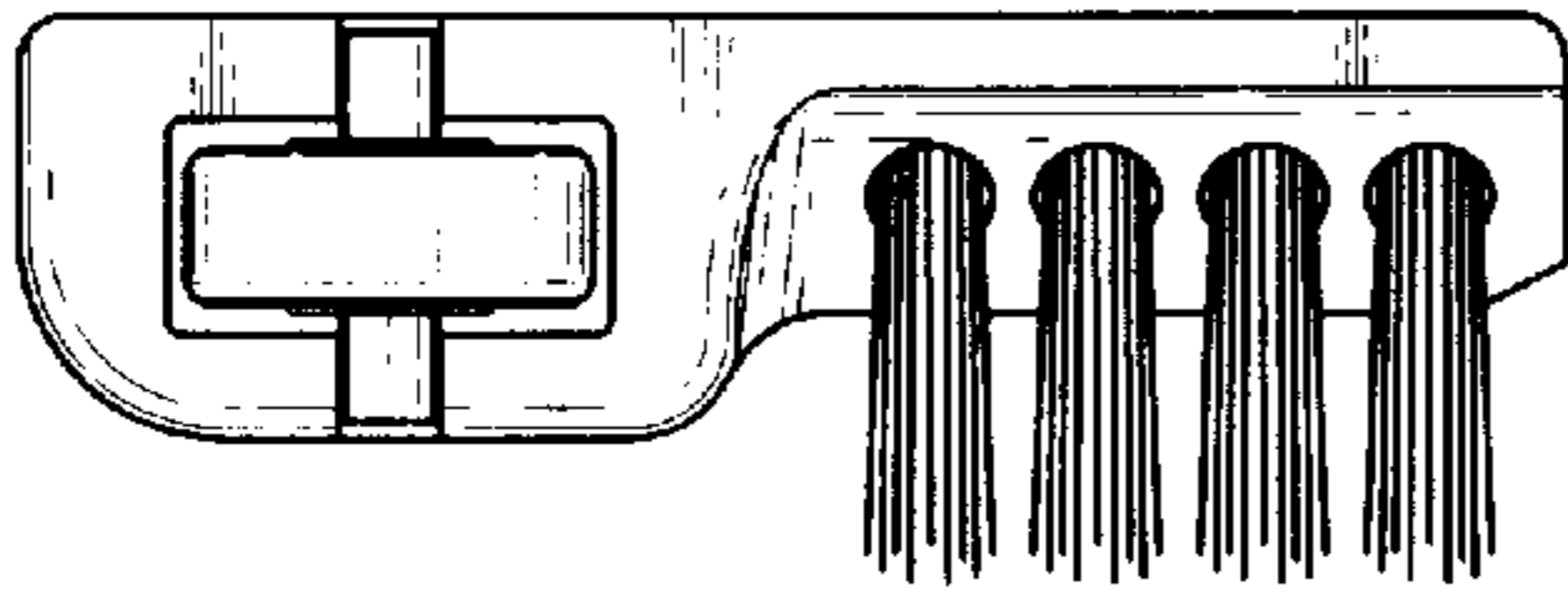


Fig. 2

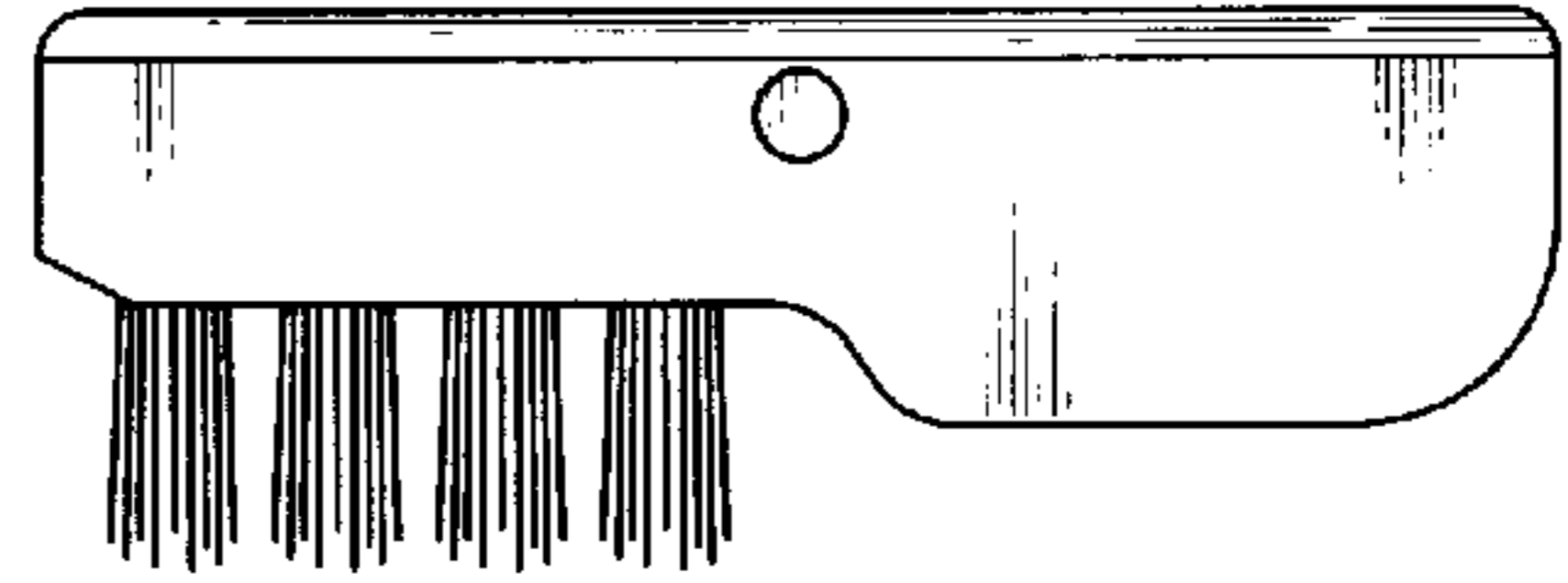


Fig. 3

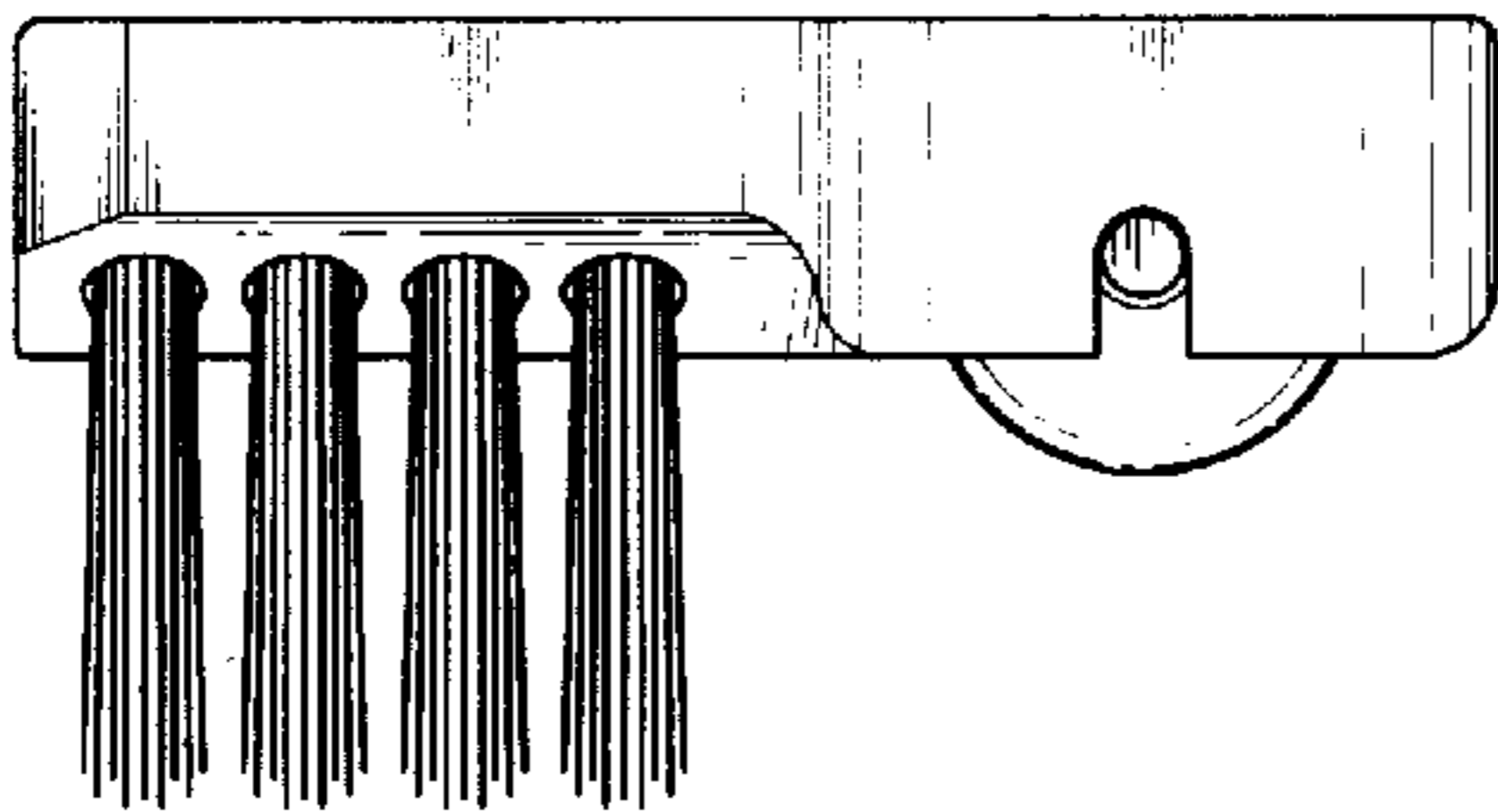


Fig. 4

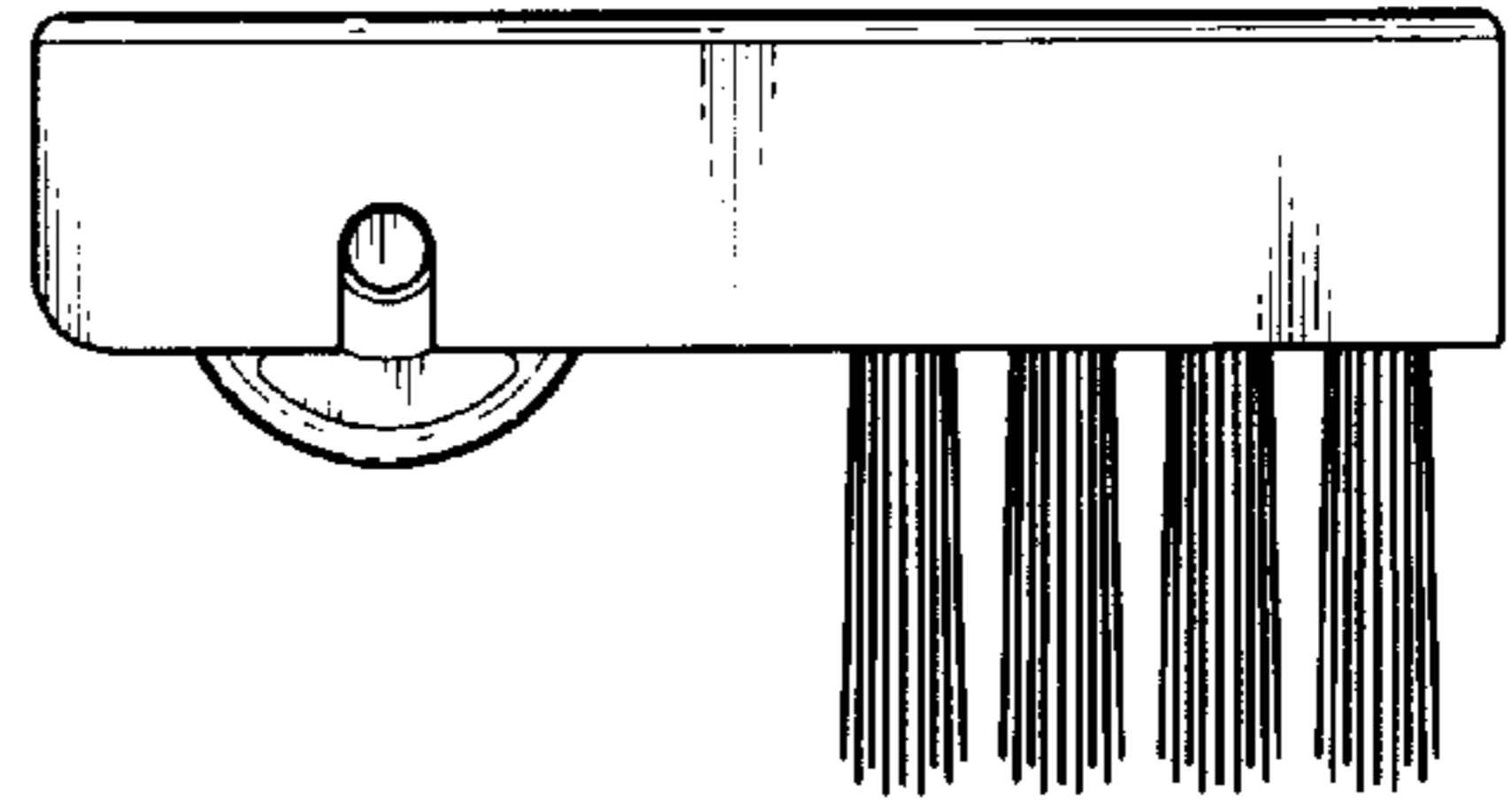


Fig. 5

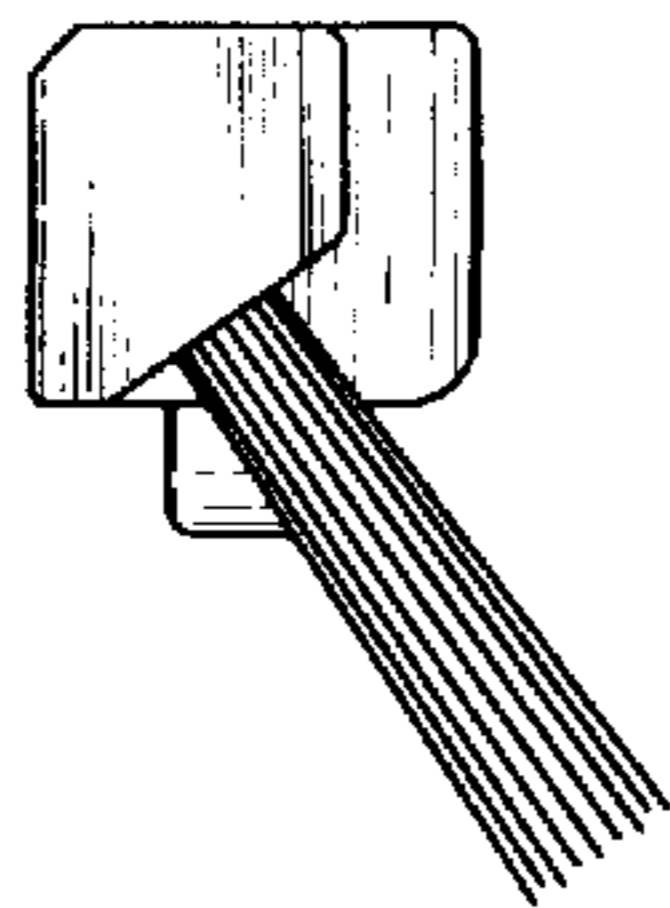


Fig. 6

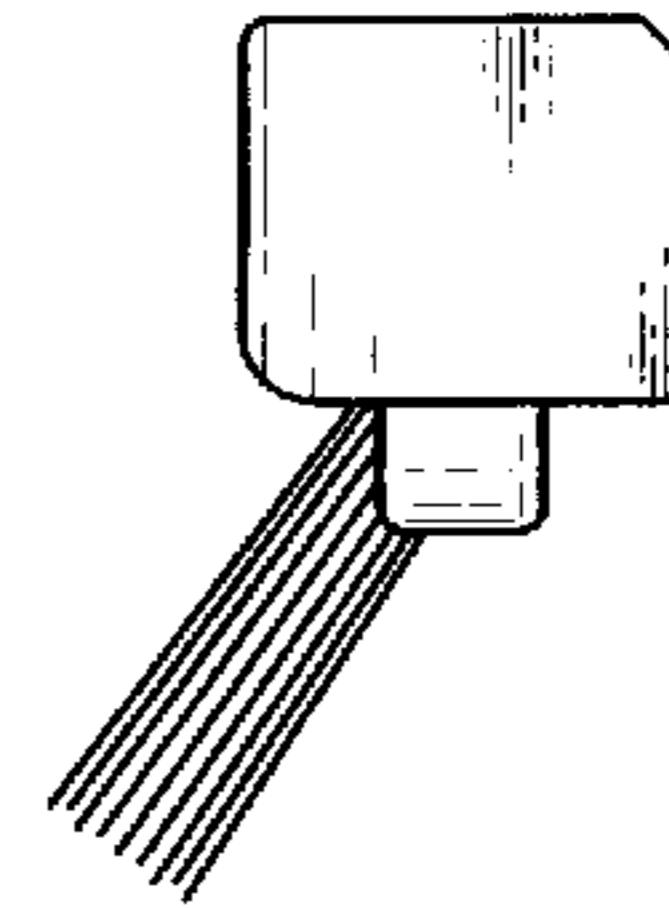


Fig. 7