



US00D429042S

United States Patent [19]

[11] **Patent Number: Des. 429,042**

Griffin et al.

[45] **Date of Patent: ** Aug. 1, 2000**

[54] **VACUUM CLEANER**

[75] Inventors: **John Griffin**, Phoenix, Ariz.; **Kevin Fry**, South Williamsport, Pa.; **Li H. Liu**, Tucson, Ariz.

[73] Assignee: **Shop Vac Corporation**, Williamsport, Pa.

[**] Term: **14 Years**

[21] Appl. No.: **29/097,288**

[22] Filed: **Dec. 3, 1998**

[51] **LOC (7) Cl. 15-05**

[52] **U.S. Cl. D32/23**

[58] **Field of Search D32/21, 23, 24, D32/25, 31; 15/327.1, 327.2, 327.4, 327.6, 327.7, 320, 321**

Shop-Vac Brochure, 707 Series Super Performance Wet/Dry Vacs, Model No. 707-10, dated Mar. 1991.

Shop-Vac Brochure, QSP Series—Quiet Super Power Wet/Dry Vacs, Models 900-86 and 900-87, dated Aug. 1993.

Shop-Vac Brochure, QSP Series—Quiet Super Power Wet/Dry Vacs, Model No. 900-29, dated Aug. 1993.

Shop-Vac Brochure, Series 914—Quiet Super Performance Wet/Dry Vacs, Model Nos. 914-15 and 914-27, dated Apr. 1997.

Shop-Vac Brochure, Floormaster, Wet & Dry Cleaning System, Model No. 909-50, dated Jan. 1989.

Shop-Vac Brochure, The QSP Line of Wet/Dry Vacs from Shop Vac, dated 1994.

Shop-Vac Brochure, All Around Vac, dated 1997.

Shop-Vac Brochure, QSP Pro, dated 1998.

Shop-Vac Brochure, QPV, dated 1997.

Shop-Vac Brochure, 1X1 Wet/Dry Vac, dated 1997.

[56] **References Cited**

U.S. PATENT DOCUMENTS

D. 287,171	12/1986	Berfield et al.	32/25
D. 296,945	7/1988	Erickson, Jr.	D32/23
D. 324,930	3/1992	Pino	D32/23
D. 348,550	7/1994	Cox et al.	D34/23
D. 358,010	5/1995	Berfield et al.	32/23
D. 362,091	9/1995	Tomasiak et al.	D32/23
D. 362,522	9/1995	Kohler	D32/23
D. 373,862	9/1996	Stephens et al.	D32/23
D. 383,575	9/1997	Griffin	32/23
D. 384,448	9/1997	Stephens et al.	D32/23
D. 388,565	12/1997	Pietrobon	D32/23
D. 389,962	1/1998	Berfield et al.	32/23
D. 395,119	6/1998	Berfield	34/23
2,920,337	1/1960	Smith	15/323
5,144,716	9/1992	Watanabe et al.	15/323

OTHER PUBLICATIONS

Shop-Vac Brochure, QSP Series—Quiet Super Power Wet/Dry Vacs, Model Nos. 900-80 thru 900-84, dated Aug. 1993.

Primary Examiner—Ruth McInroy

Attorney, Agent, or Firm—Marshall, O’Toole, Gerstein, Murray & Borun

[57] **CLAIM**

The ornamental design for a vacuum cleaner, as shown and described.

DESCRIPTION

FIG. 1 is a perspective view of a vacuum cleaner showing our new design;

FIG. 2 is a front elevational view thereof;

FIG. 3 is a back elevational view thereof;

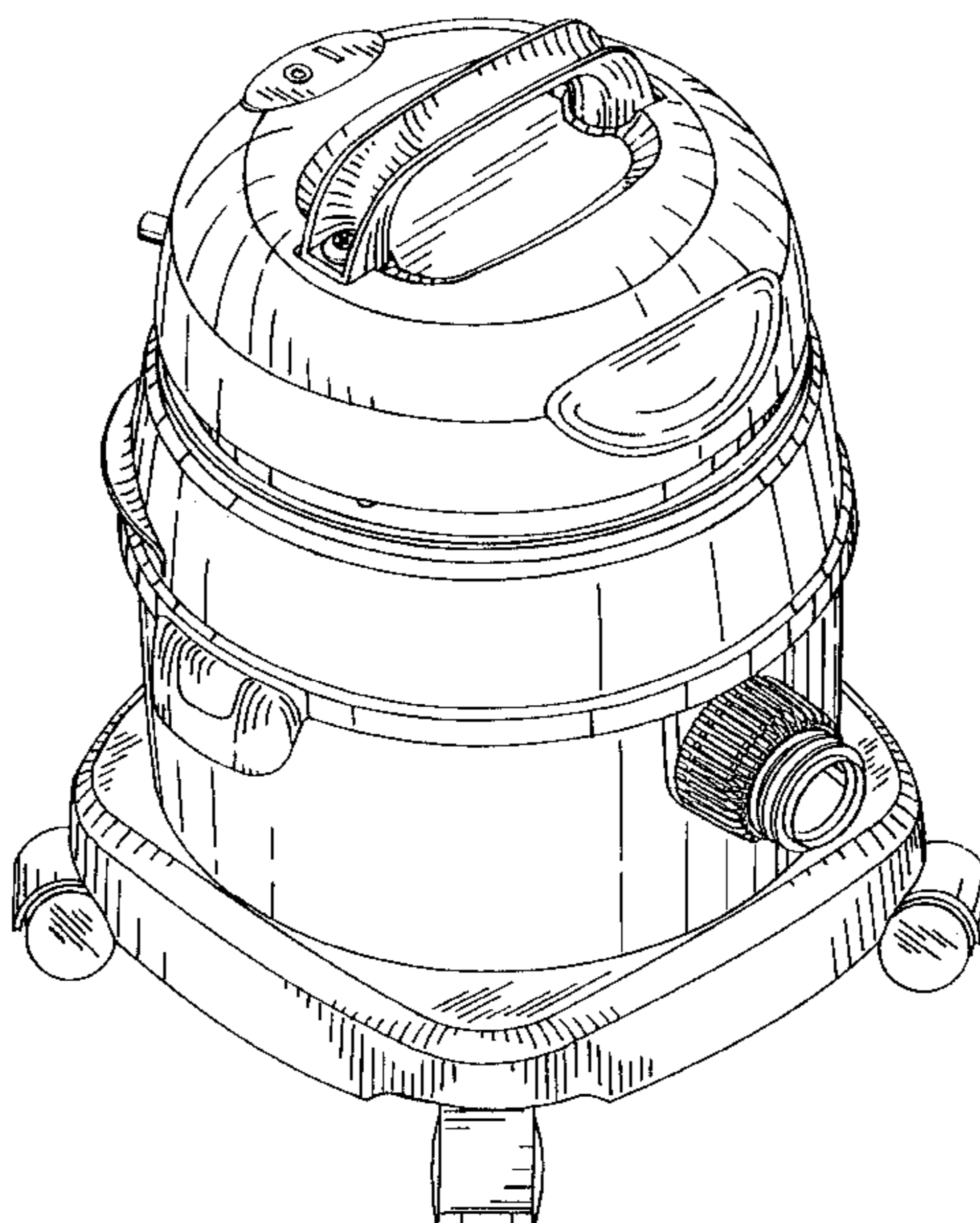
FIG. 4 is a right elevational view thereof;

FIG. 5 is a left elevational view thereof;

FIG. 6 is a plan view thereof; and,

FIG. 7 is a bottom view thereof.

1 Claim, 7 Drawing Sheets



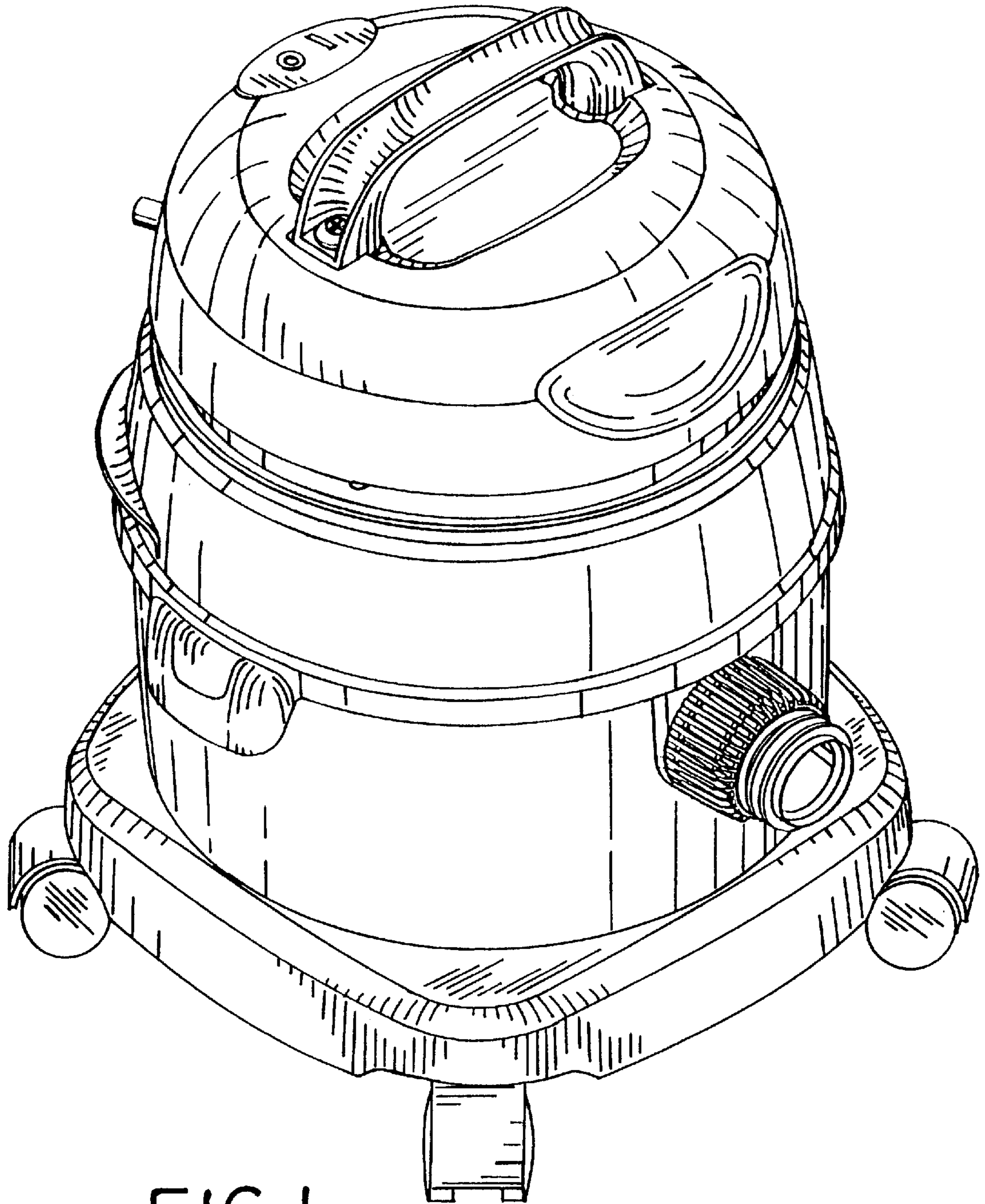


FIG. 1

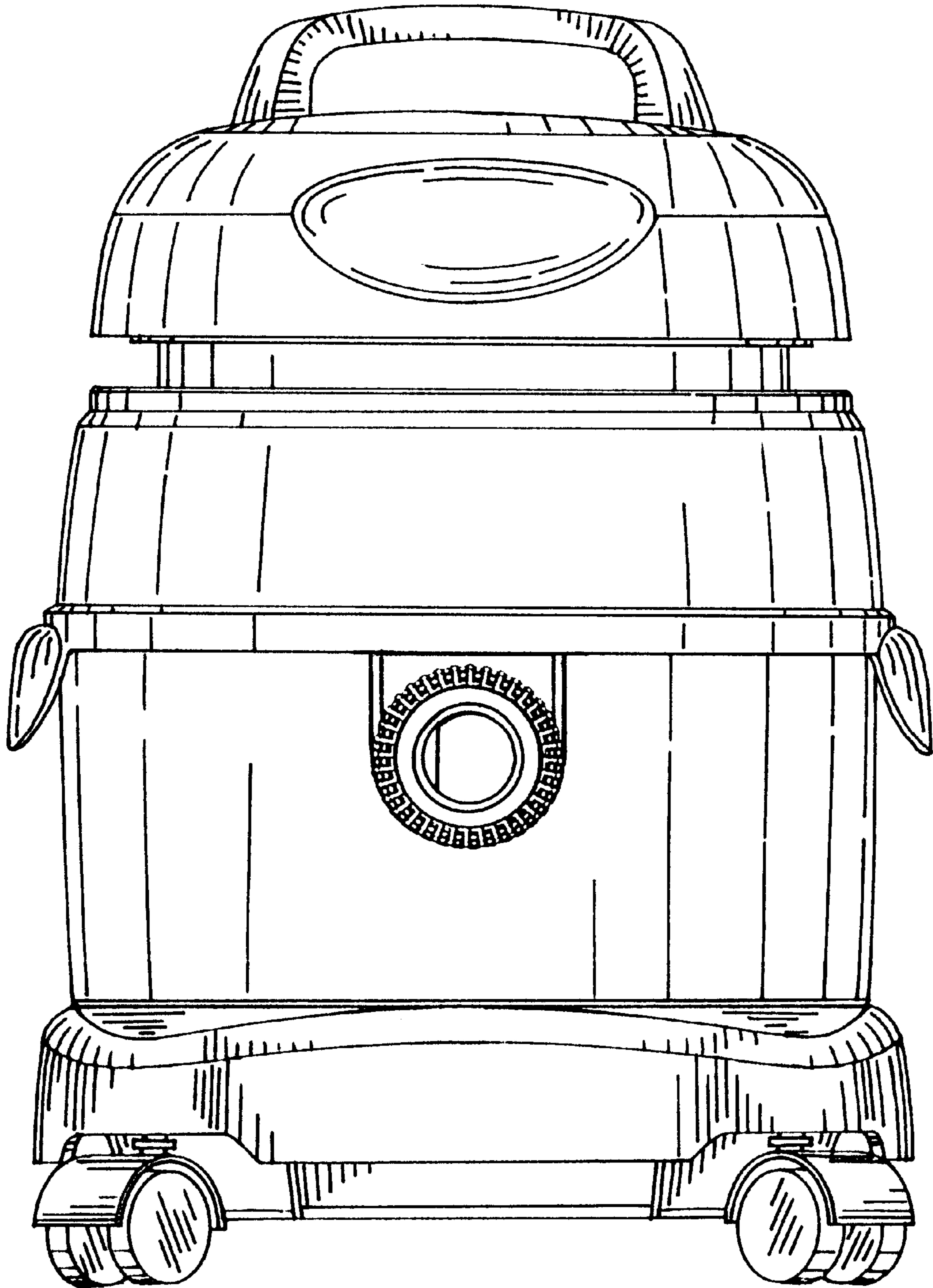


FIG. 2

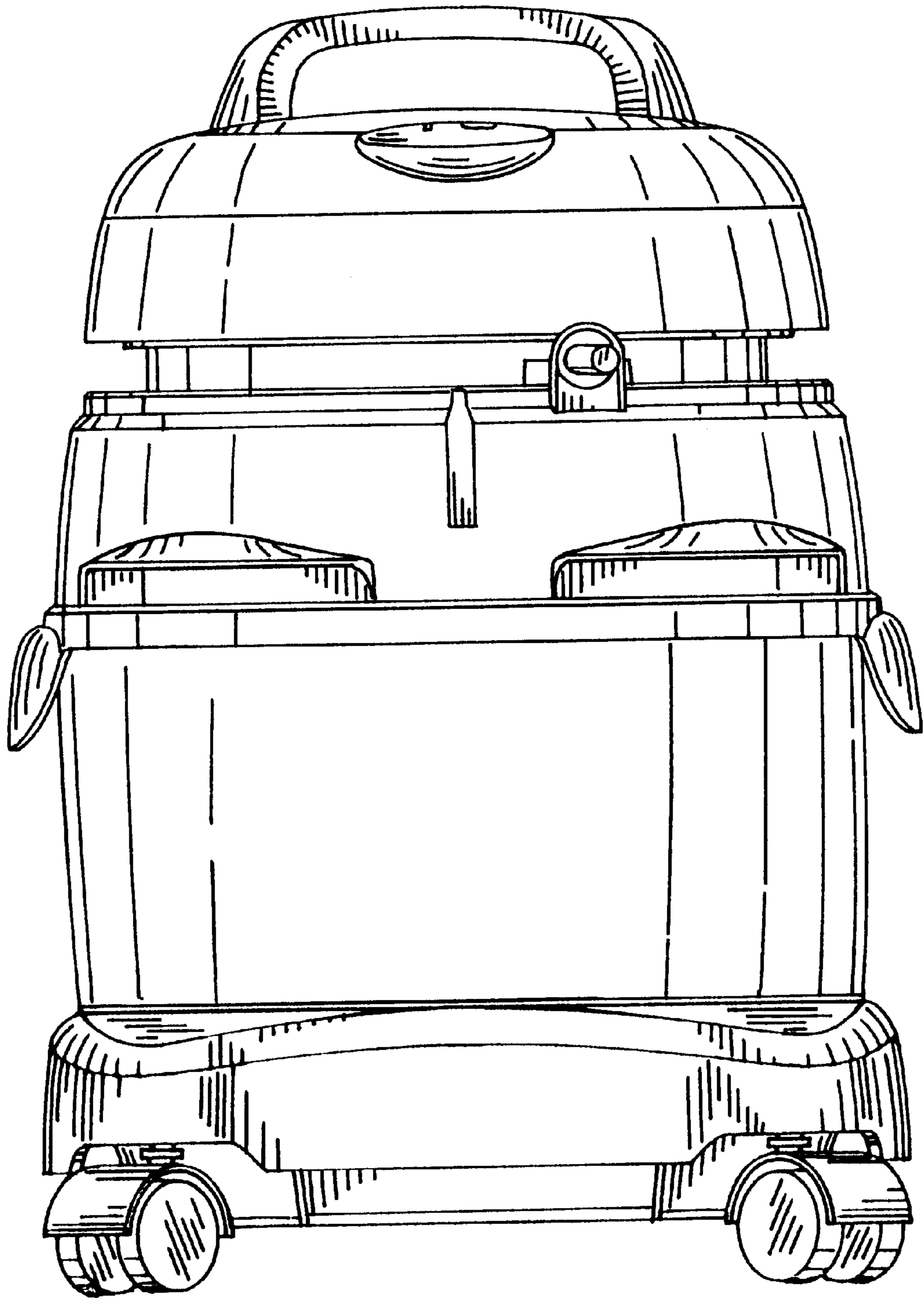


FIG. 3

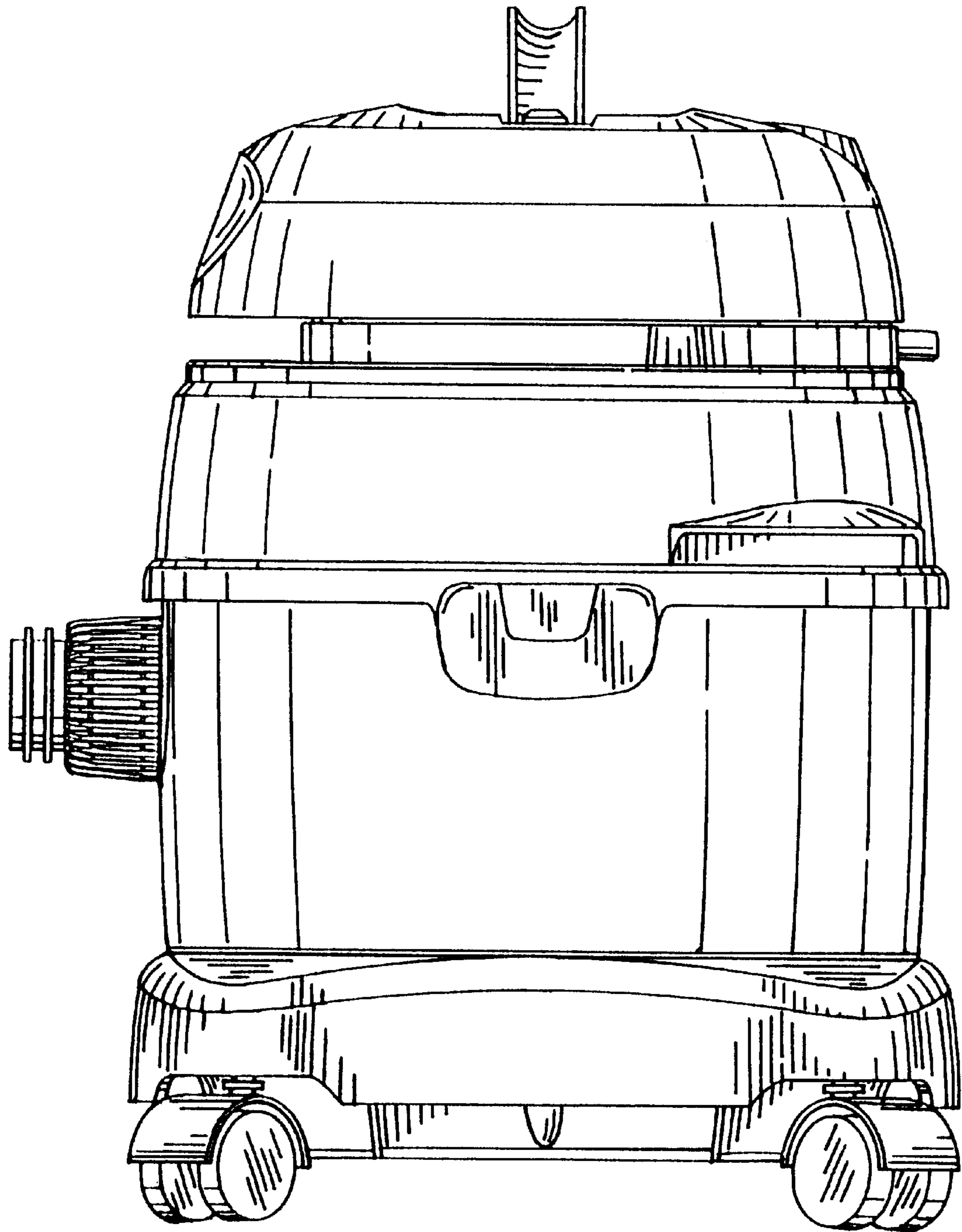


FIG. 4

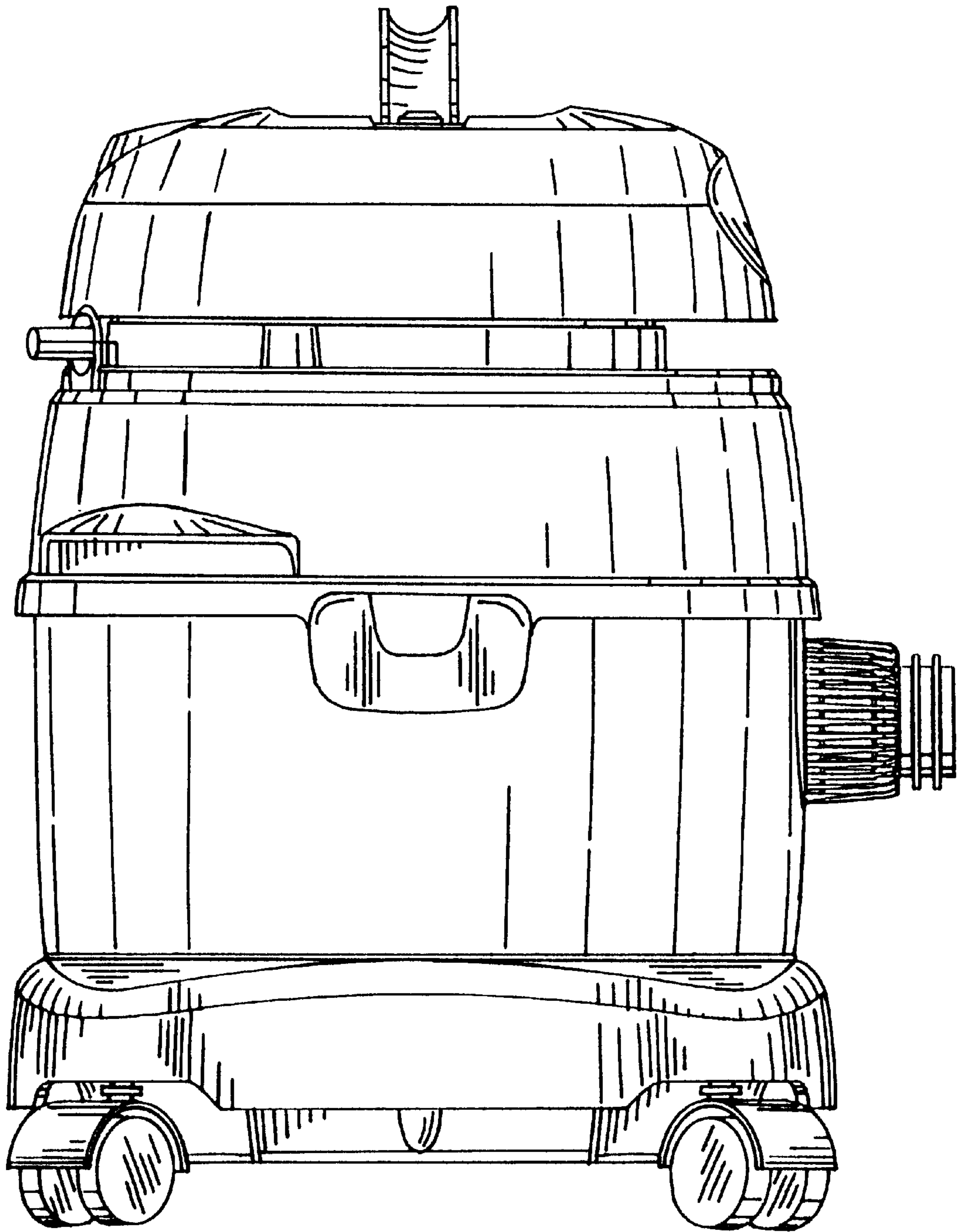


FIG. 5

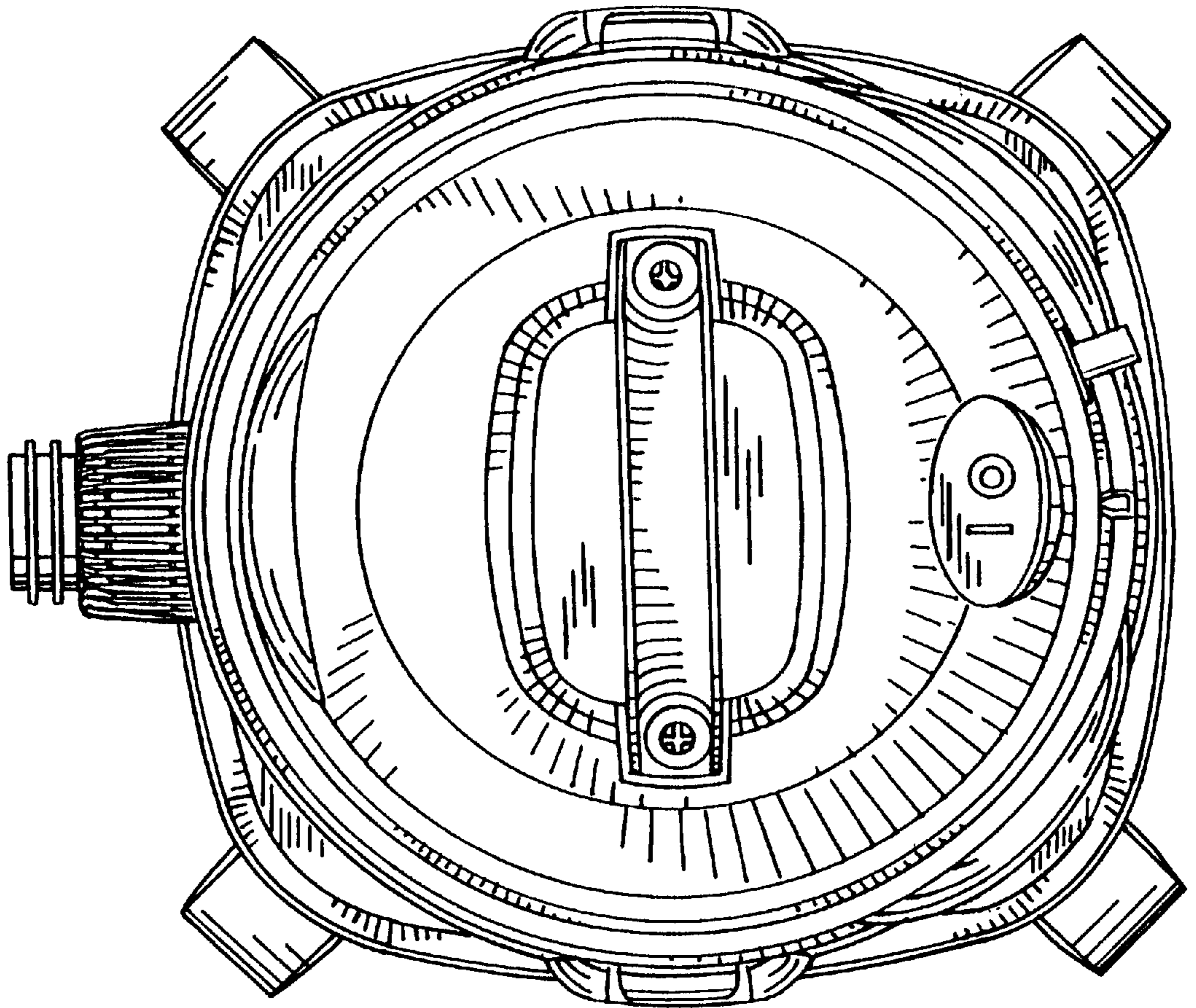


FIG. 6

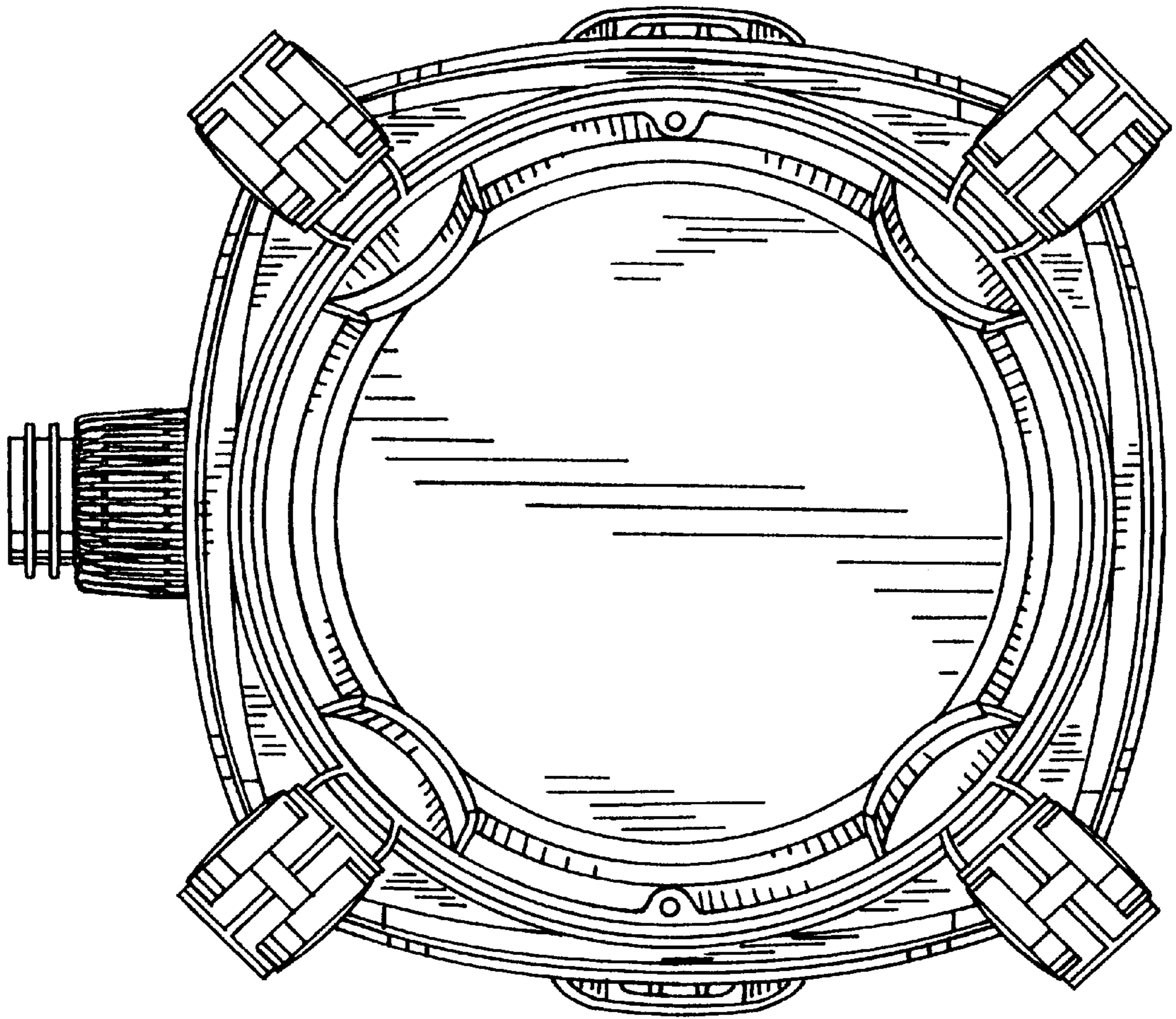


FIG. 7