



US00D429041S

United States Patent [19]
Medema et al.

[11] **Patent Number: Des. 429,041**
[45] **Date of Patent: ** Aug. 1, 2000**

[54] **UPRIGHT VACUUM CLEANER**

[75] Inventors: **Douglas J. Medema**, Belding; **Trent A. Eekhoff**, Grand Rapids, both of Mich.

[73] Assignee: **Bissell Homecare, Inc.**, Grand Rapids, Mich.

[**] Term: **14 Years**

[21] Appl. No.: **29/102,154**

[22] Filed: **Mar. 18, 1999**

[51] **LOC (7) Cl.** **15-05**

[52] **U.S. Cl.** **D32/22**

[58] **Field of Search** D32/17-18, 21-22,
D32/25, 30-34; 15/320-321, 323-334,
329, 344, 347, 349, 350-353, 410, 412

[56] **References Cited**

U.S. PATENT DOCUMENTS

D. 314,072	1/1991	Shinozaki et al.	D32/22
D. 346,052	4/1994	Saunders et al.	D32/22
D. 347,500	5/1994	Abe et al.	D32/22
D. 354,593	1/1995	Koike	D32/22
D. 379,695	6/1997	Africa	D32/33
D. 398,098	9/1998	Mehaffey et al.	D32/22
D. 413,187	8/1999	Wang et al.	D32/22
D. 415,324	10/1999	Wang et al.	D32/22
D. 421,164	2/2000	Luebbering	D32/22

OTHER PUBLICATIONS

Author unknown, Oreck brochure and order form for the 8-Pound Oreck XL. Jan. 1998, 4 pages.

Author unknown, Oreck Website information at address: http://commerce.oreck.com/oreck/shp_olc_vac_x12600.icl?orderindentifier=icat_orderid, printed Nov. 9, 1998, pp. 1-4.

Author unknown, Oreck Website information at address: http://commerce.../shp_olc_vac_big_foot.icl?orderidentifier=ID9106187241402153207E453F1, printed Nov. 9, 1998, pp. 1-2.

Author unknown, Oreck Website information at address: <http://www.wholesalevacuumconnect.com/oreck/call12.htm>, printed Nov. 9, 1998, p. 1 of 1.

Service Merchandize, p. 39, Dec. 20, 1992. "The Amazing 8-lb. Oreck XL".

Primary Examiner—Ruth McInroy
Attorney, Agent, or Firm—Rader, Fishman, Grauer & McGarry, An Office of Rader, Fishman & Grauer PLLC

[57] **CLAIM**

We claim the design for upright vacuum cleaner, as shown and described.

DESCRIPTION

FIG. 1 is a perspective view of an upright vacuum cleaner showing our new design;

FIG. 2 is a front elevational view thereof;

FIG. 3 is a right side elevational view thereof;

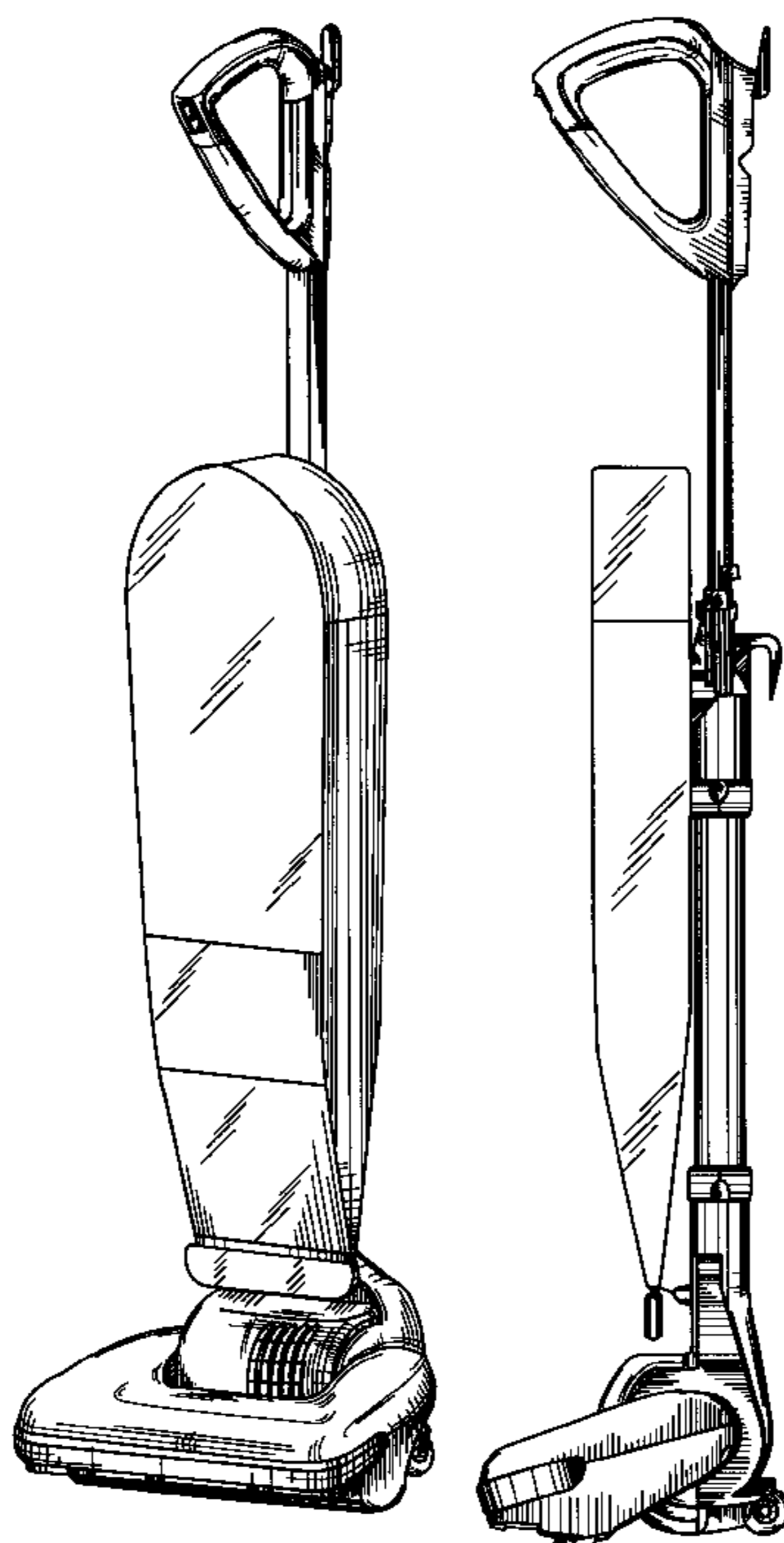
FIG. 4 is a left side elevation view thereof;

FIG. 5 is a rear view thereof;

FIG. 6 is an enlarged top view thereof; and,

FIG. 7 is an enlarged bottom view thereof.

1 Claim, 6 Drawing Sheets



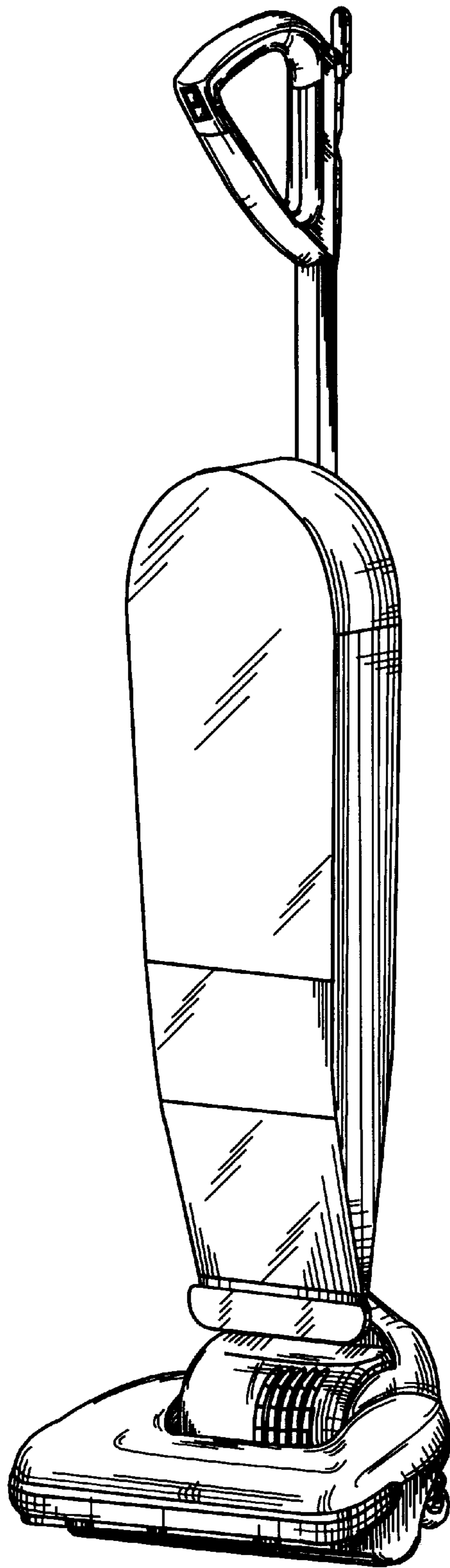


Fig. 1

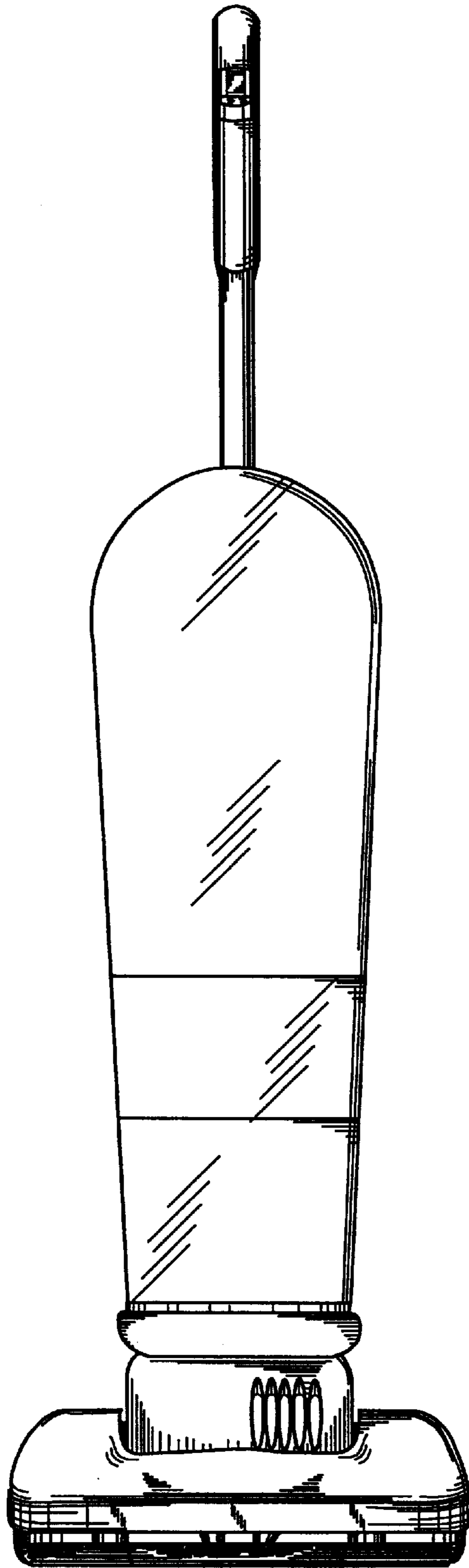


Fig. 2

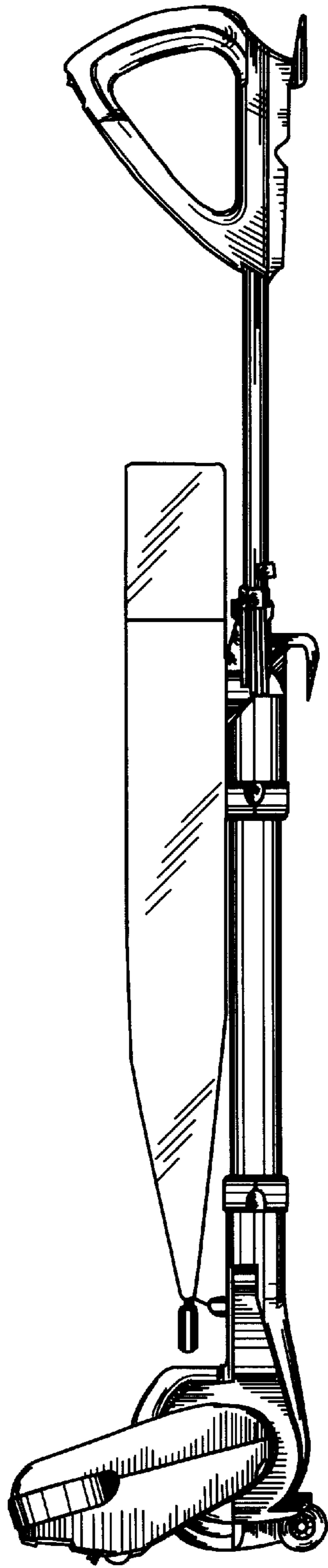


Fig. 3

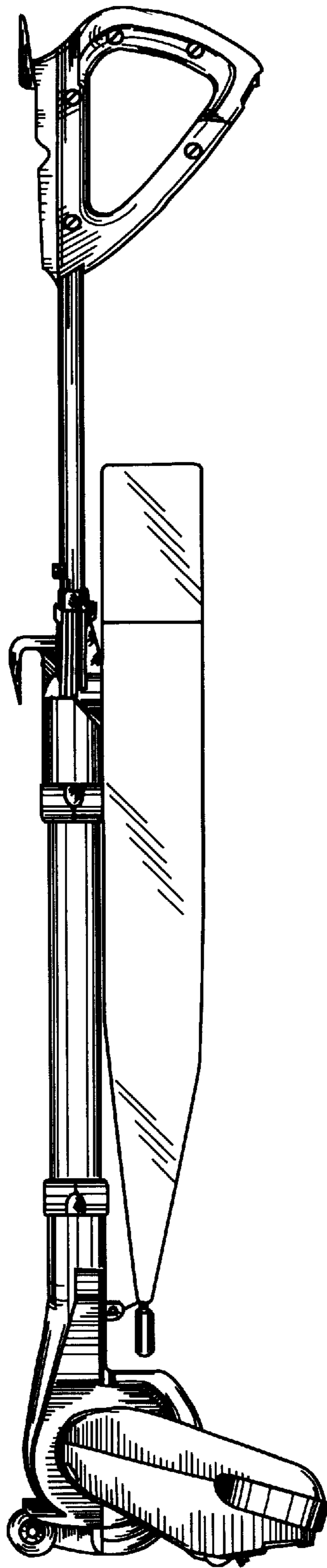


Fig. 4

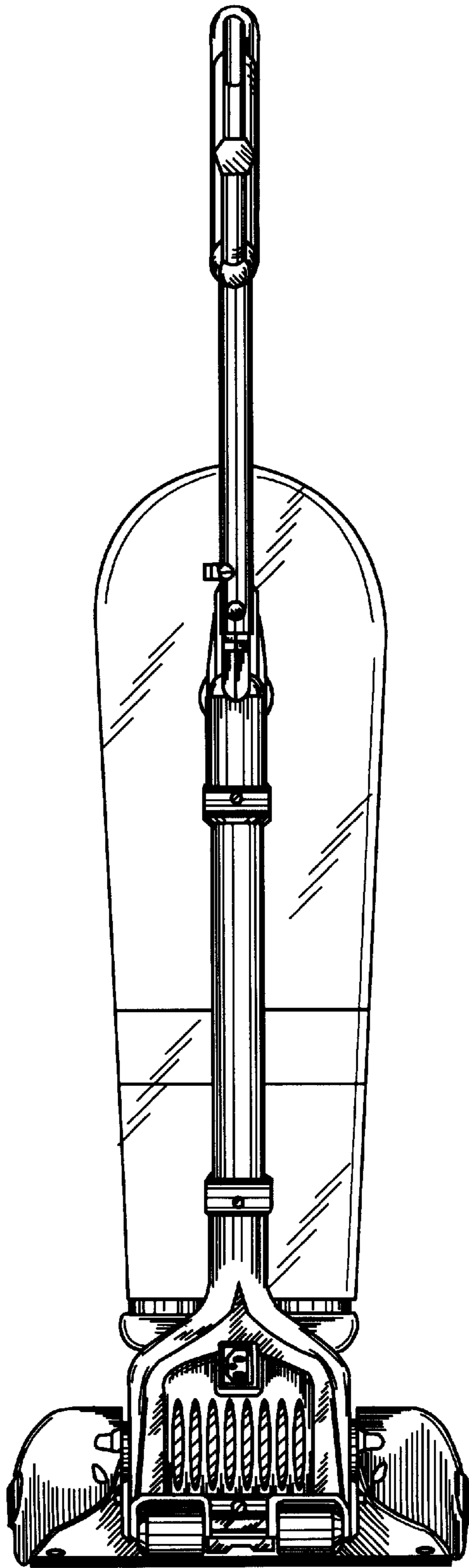


Fig. 5

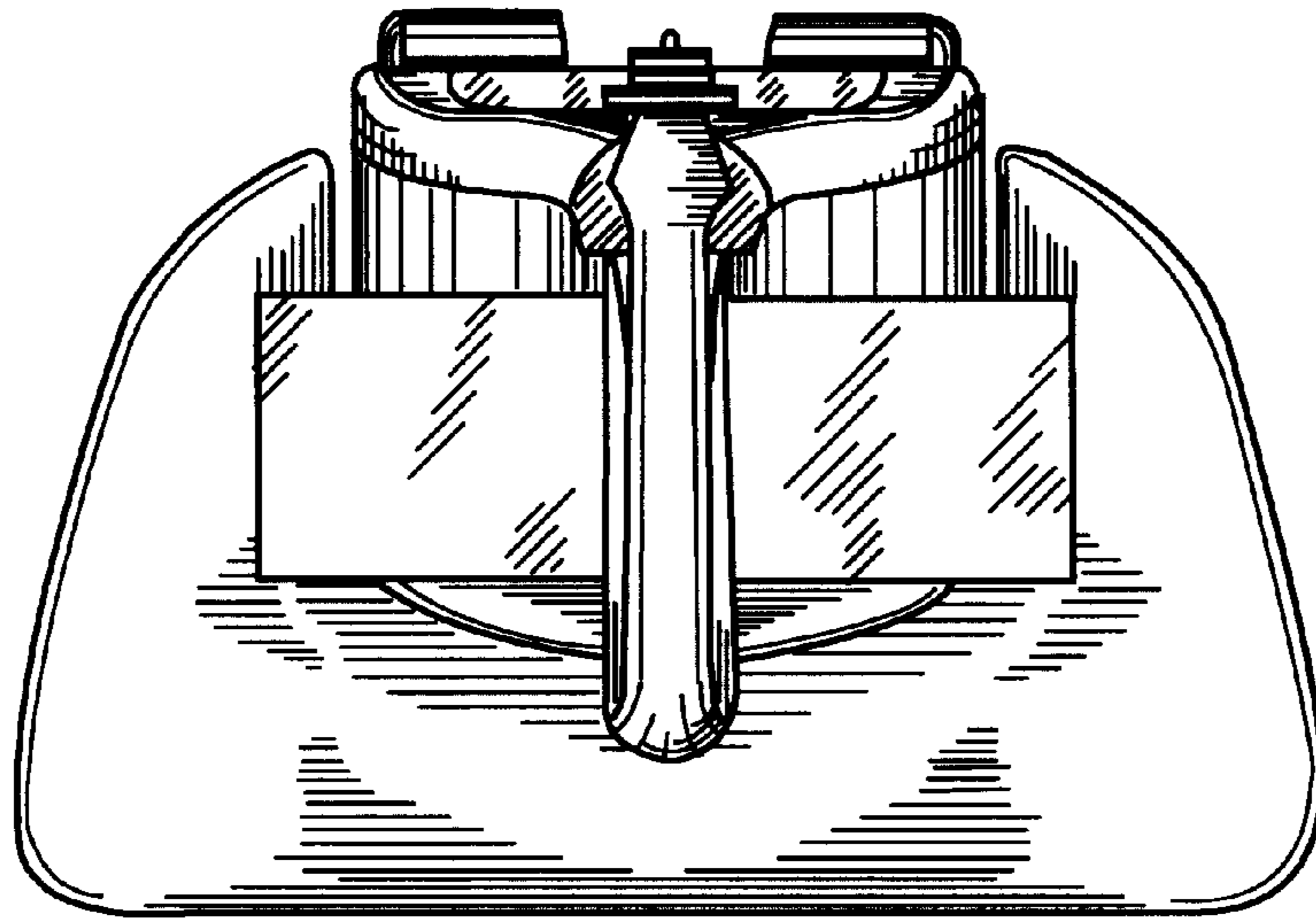


Fig. 6

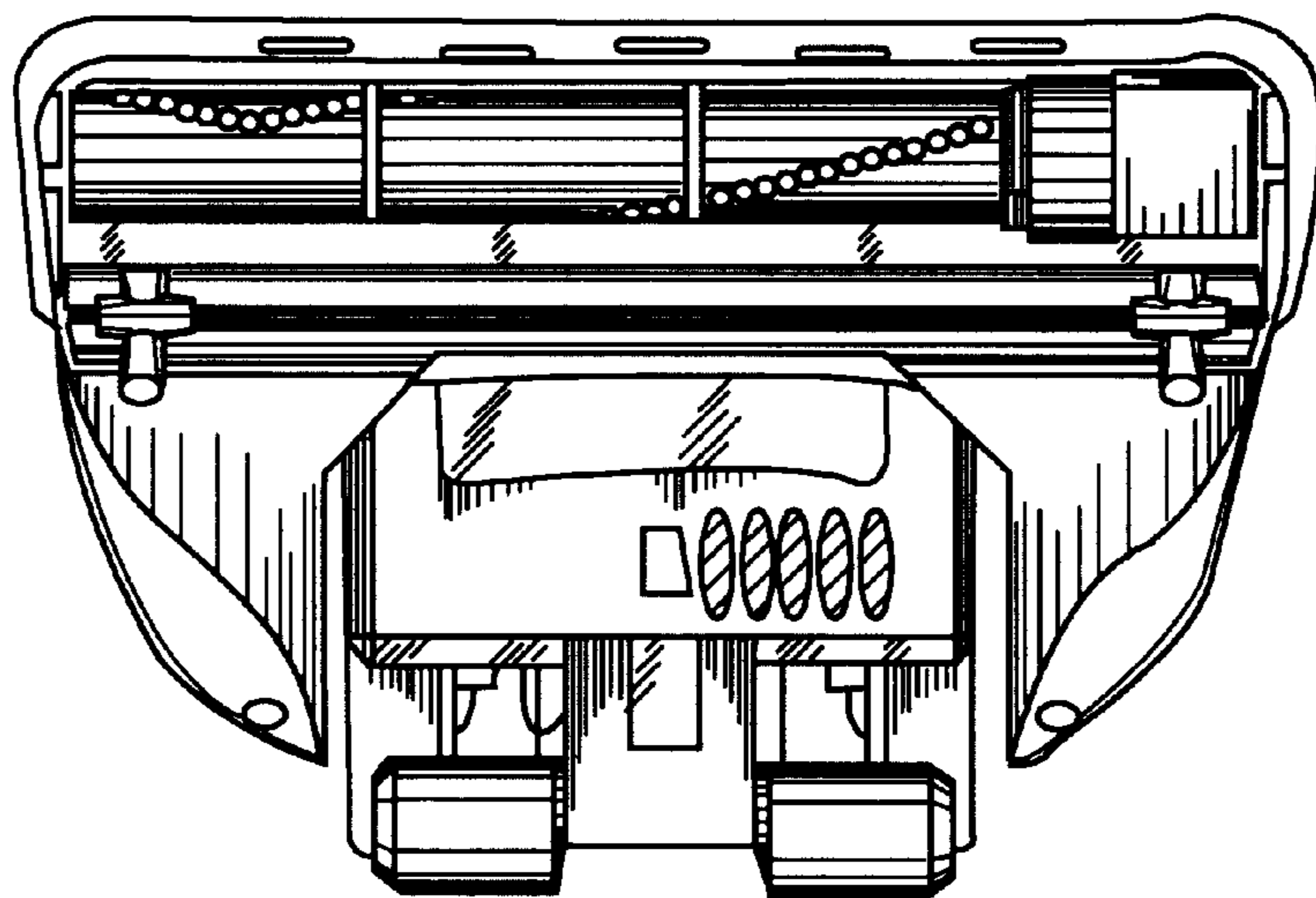


Fig. 7