



US00D429040S

# United States Patent [19]

Schmittgens et al.

[11] **Patent Number: Des. 429,040**

[45] **Date of Patent: \*\* Aug. 1, 2000**

[54] **COMBINED ANIMAL WASTE COLLECTOR AND CARRIER**

[75] Inventors: **Raymond Schmittgens; Carol Schmittgens; Paul Michael Smith**, all of St. Louis, Mo.

[73] Assignee: **PC Ray LLC**, St. Louis, Mo.

[\*\*] Term: **14 Years**

[21] Appl. No.: **29/108,819**

[22] Filed: **Aug. 4, 1999**

[51] **LOC (7) Cl.** ..... **30-99**

[52] **U.S. Cl.** ..... **D30/161; 294/1.3**

[58] **Field of Search** ..... **D30/162; D7/687, D7/686; D8/10, 13; 294/1.3, 1.4, 55, 99.2, 119; 248/101; 119/858**

[56] **References Cited**

**U.S. PATENT DOCUMENTS**

D. 259,968	7/1981	Schneider	.....	D30/162
D. 281,108	10/1985	Wilson	.....	D30/162
D. 369,444	4/1996	Ubdegrove et al.	.....	D30/162

D. 405,565	2/1999	Price	.....	D30/162
1,999,972	4/1935	Becker	.....	D7/687
3,284,899	11/1966	Mercorelli	.....	D7/687
4,529,236	7/1985	Vogt	.....	294/1.3
5,156,427	10/1992	Longrie et al.	.....	294/1.3
5,186,506	2/1993	Gale	.....	294/1.3
5,326,143	7/1994	Babler	.....	294/1.4
5,711,564	1/1998	Campbell	.....	294/1.3

*Primary Examiner*—Cathy Anne Maccormac  
*Attorney, Agent, or Firm*—Howell & Haferkamp, L.C.

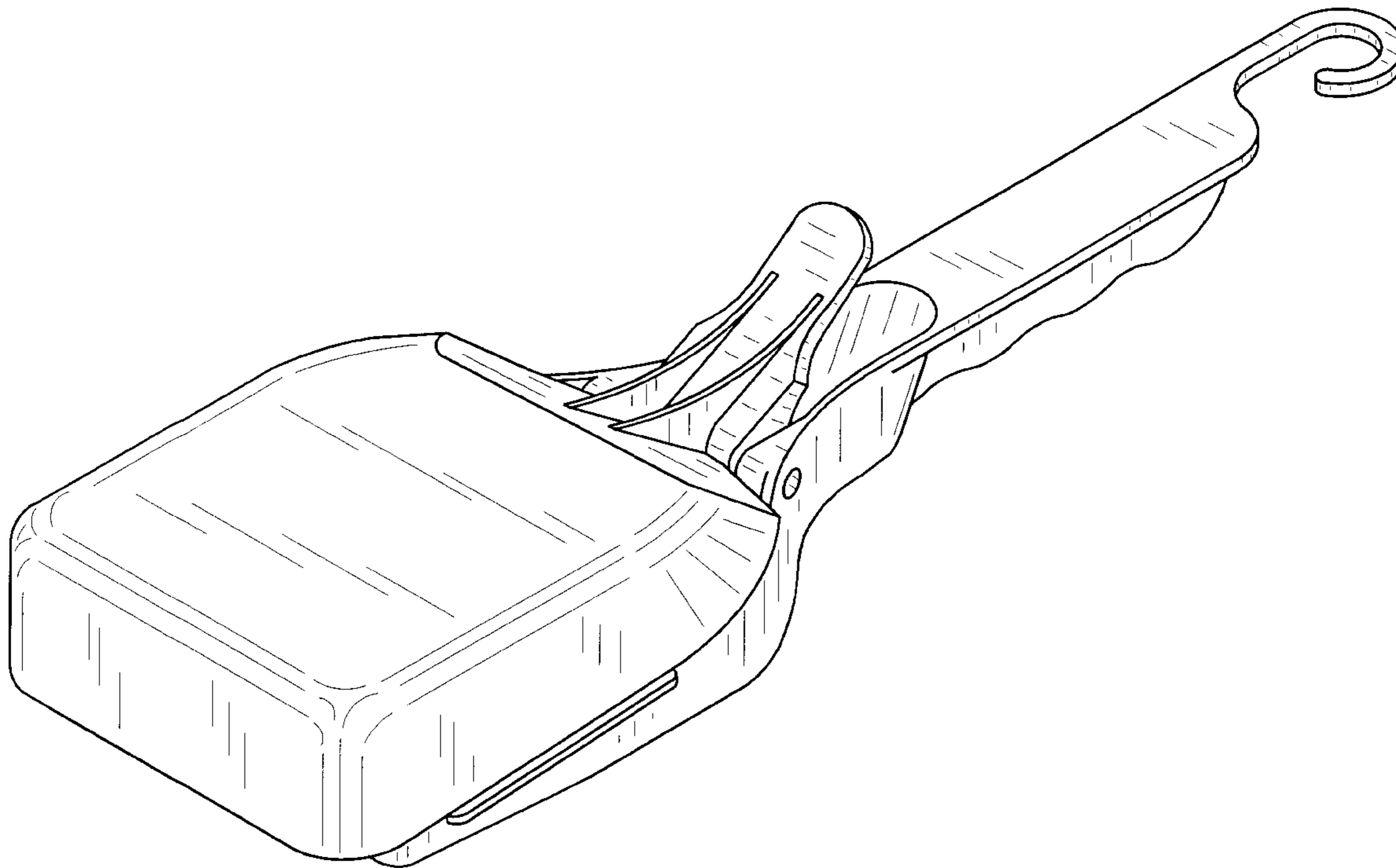
[57] **CLAIM**

The ornamental design for a combined animal waste collector and carrier, as shown and described.

**DESCRIPTION**

FIG. 1 is a perspective view of a combined animal waste collector and carrier according to our new design; FIG. 2 is a top plan view thereof; FIG. 3 is a bottom plan view thereof; FIG. 4 is a right side elevation view thereof; FIG. 5 is a left side elevation view thereof; FIG. 6 is a front elevation view thereof; and, FIG. 7 is a rear elevation view thereof.

**1 Claim, 3 Drawing Sheets**



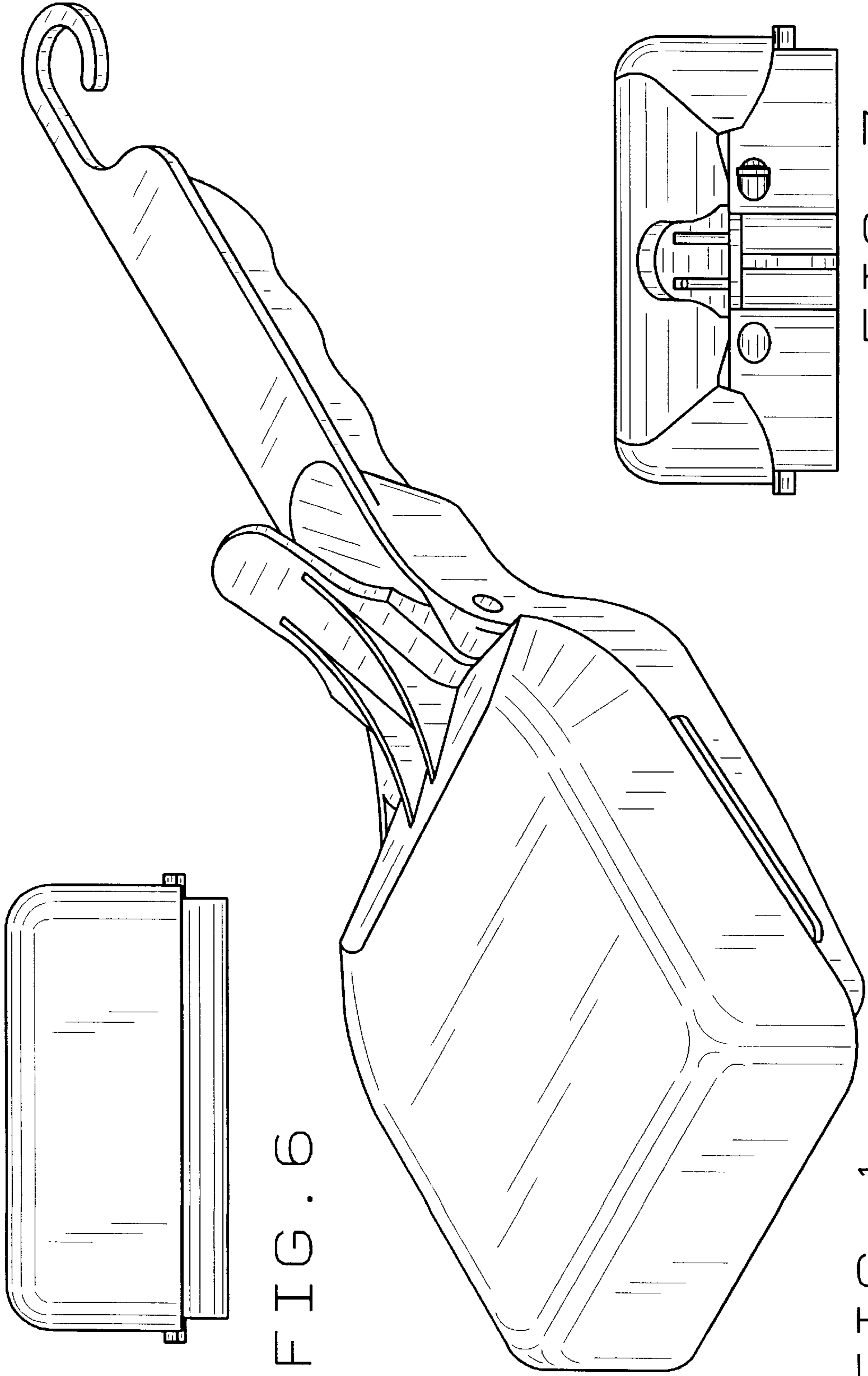


FIG. 6

FIG. 1

FIG. 7

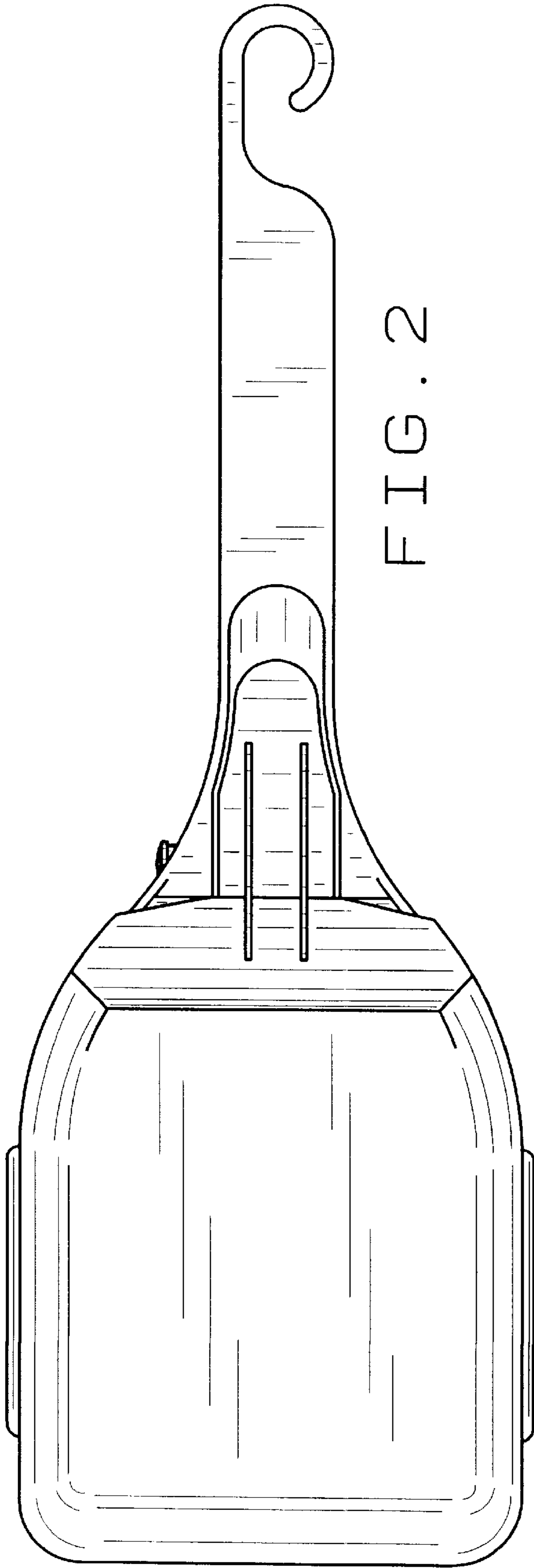


FIG. 2

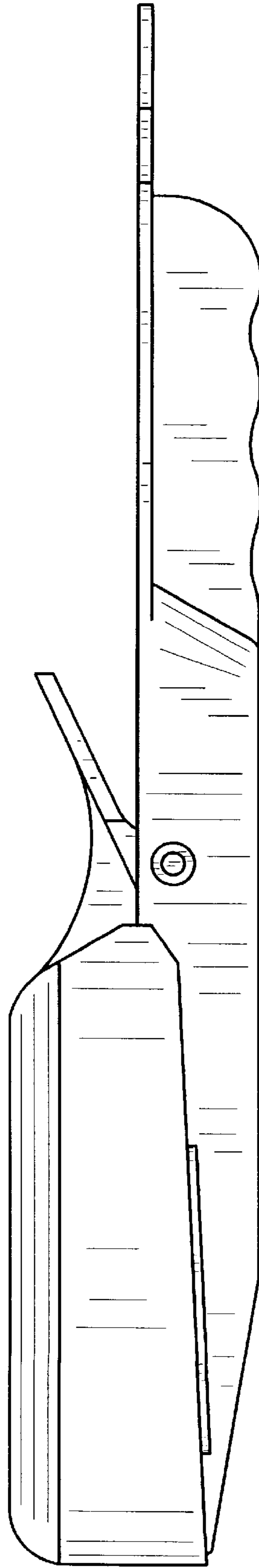


FIG. 4

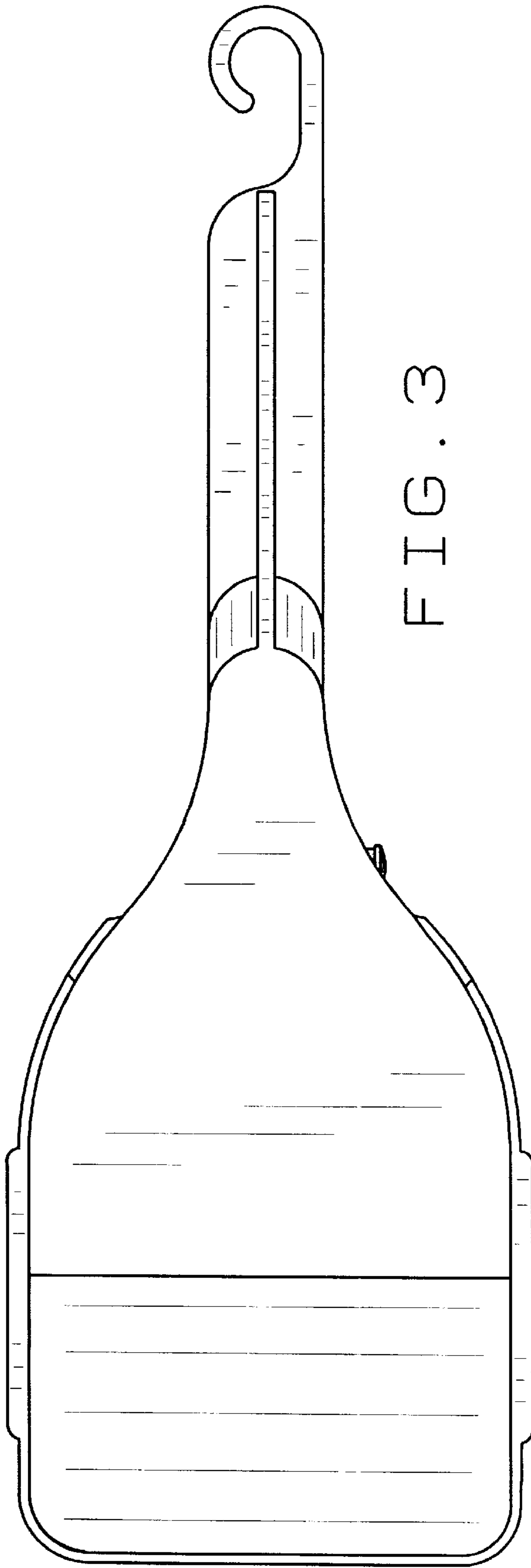


FIG. 3

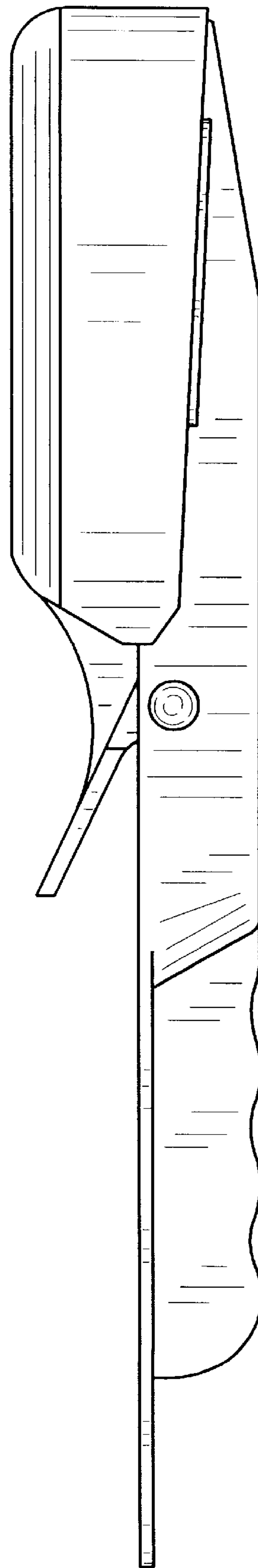


FIG. 5