



US00D429038S

# United States Patent [19] Forester

[11] **Patent Number: Des. 429,038**

[45] **Date of Patent: \*\* Aug. 1, 2000**

[54] **PET STEP STOOL**

[75] Inventor: **Burton N. Forester**, Beverly Hills, Calif.

[73] Assignee: **Stepup, LLC**, Beverly Hills, Calif.

[\*\*] Term: **14 Years**

[21] Appl. No.: **29/106,879**

[22] Filed: **Jun. 23, 1999**

[51] **LOC (7) Cl. .... 30-02**

[52] **U.S. Cl. .... D30/119**

[58] **Field of Search** ..... D30/108-109, D30/112, 114, 116-118, 161, 119; 119/416, 436, 452, 453, 482, 496, 161-170, 28.5, 847; D25/62, 65; D6/349, 350, 355

[56] **References Cited**

**U.S. PATENT DOCUMENTS**

- D. 221,558 8/1971 Zimmerman .
- D. 320,702 10/1991 Dewing ..... D6/349
- D. 322,872 12/1991 Holbrook .
- D. 335,966 6/1993 Schwartzkopf et al. .... D6/350
- D. 337,211 7/1993 Bergkvist .
- D. 351,739 10/1994 Cannon ..... D6/350

- D. 362,125 9/1995 Crust .
- D. 383,261 9/1997 Karsten et al. .
- 3,159,141 12/1964 Paterek ..... D30/160 X
- 4,537,282 8/1985 Lobdell .
- 5,213,060 5/1993 Sloan et al. .... 119/847

*Primary Examiner*—Louis S. Zarfes  
*Assistant Examiner*—Catherine R. Oliver  
*Attorney, Agent, or Firm*—Pretty, Schroeder & Poplawski

[57] **CLAIM**

The ornamental design for a pet step stool, as shown and described.

**DESCRIPTION**

FIG. 1 is a perspective frontal view of a pet step stool embodying my new design.  
FIG. 2 is a side elevational view of the pet step stool shown in FIG. 1.  
FIG. 3 is frontal elevational view of the pet step stool shown in FIG. 1.  
FIG. 4 is a top plan view of the pet step stool shown in FIG. 1; and,  
FIG. 5 is a rear elevational view of the pet step stool shown in FIG. 1.

**1 Claim, 3 Drawing Sheets**

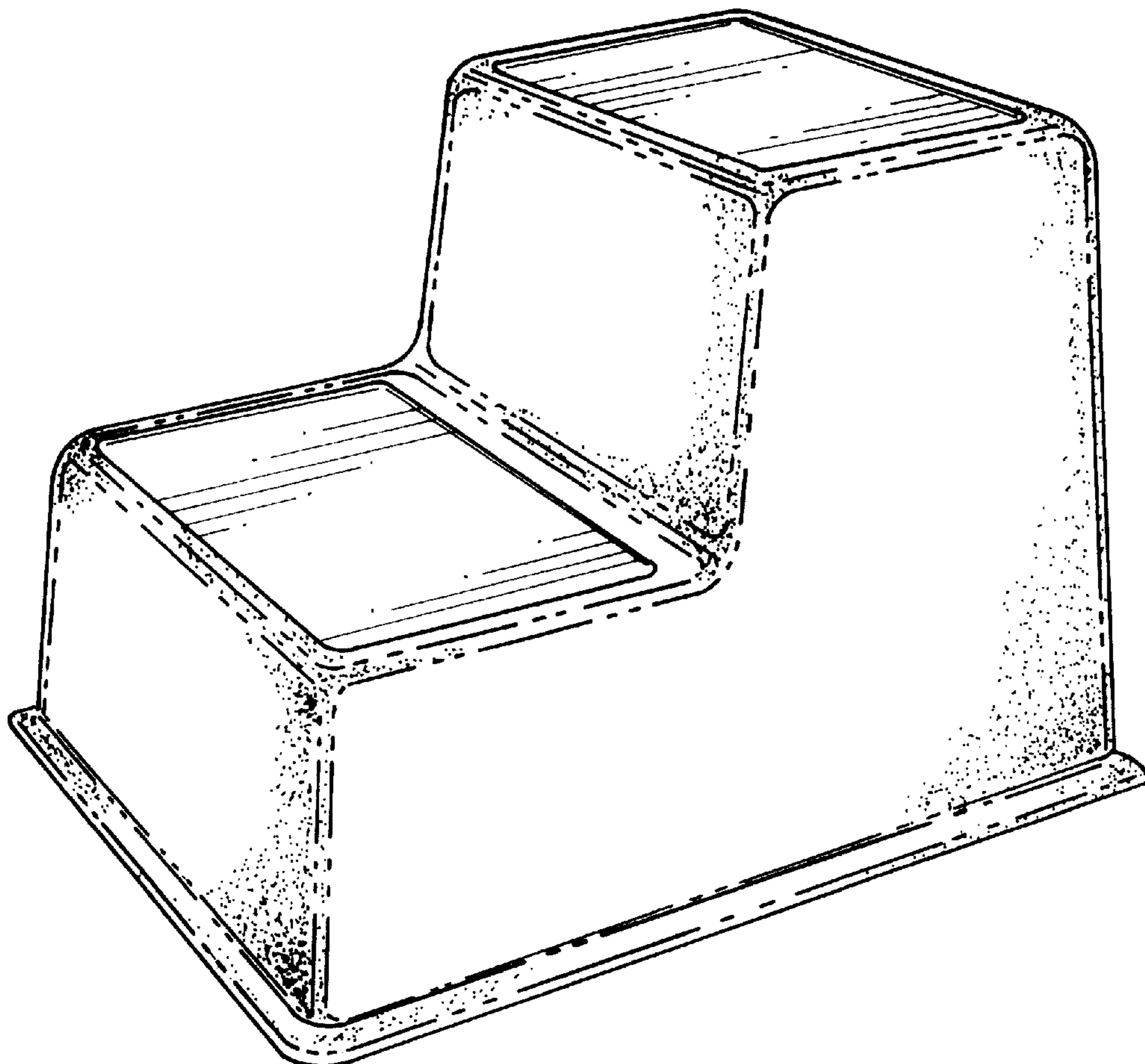


FIG. 1

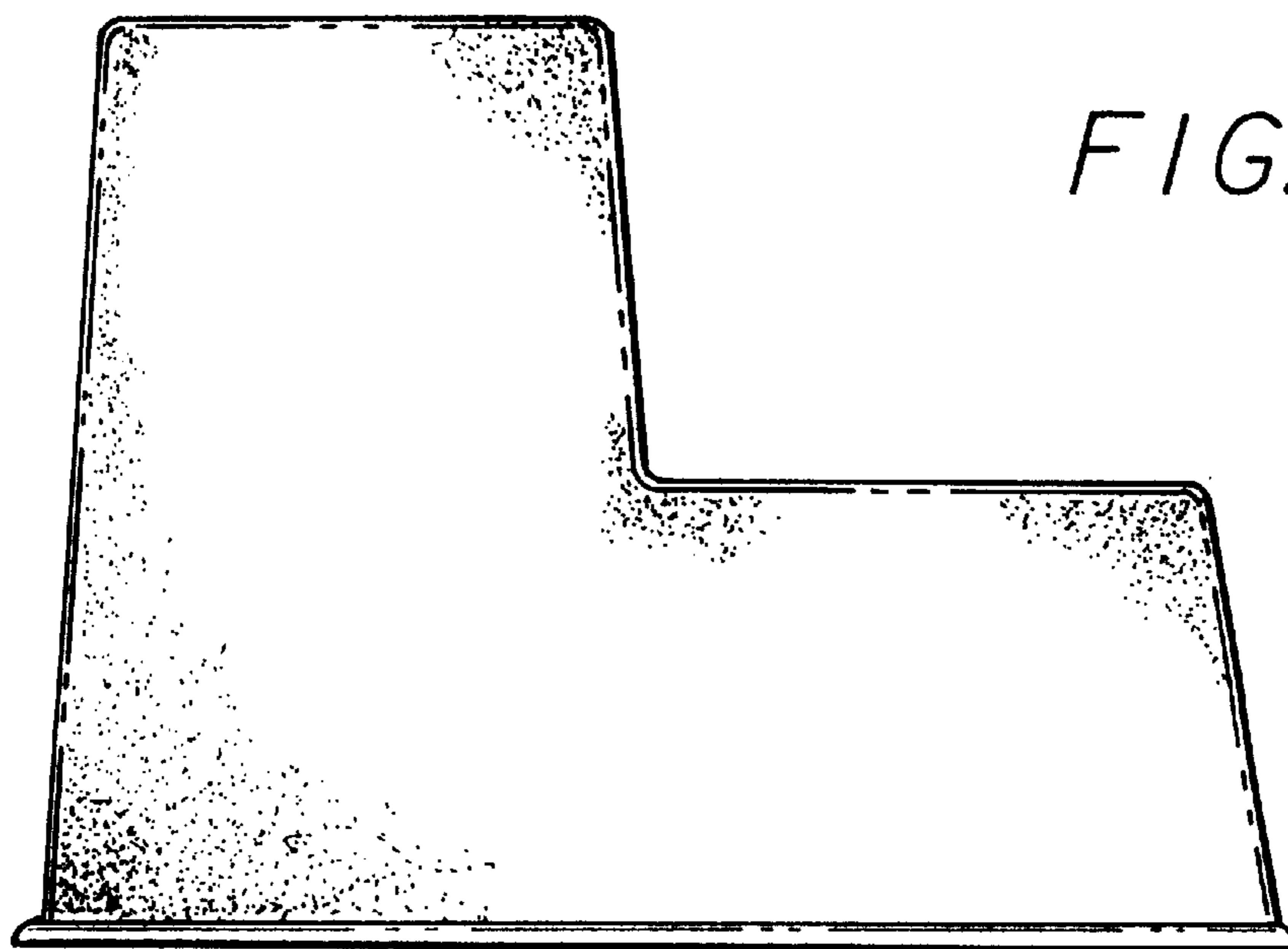
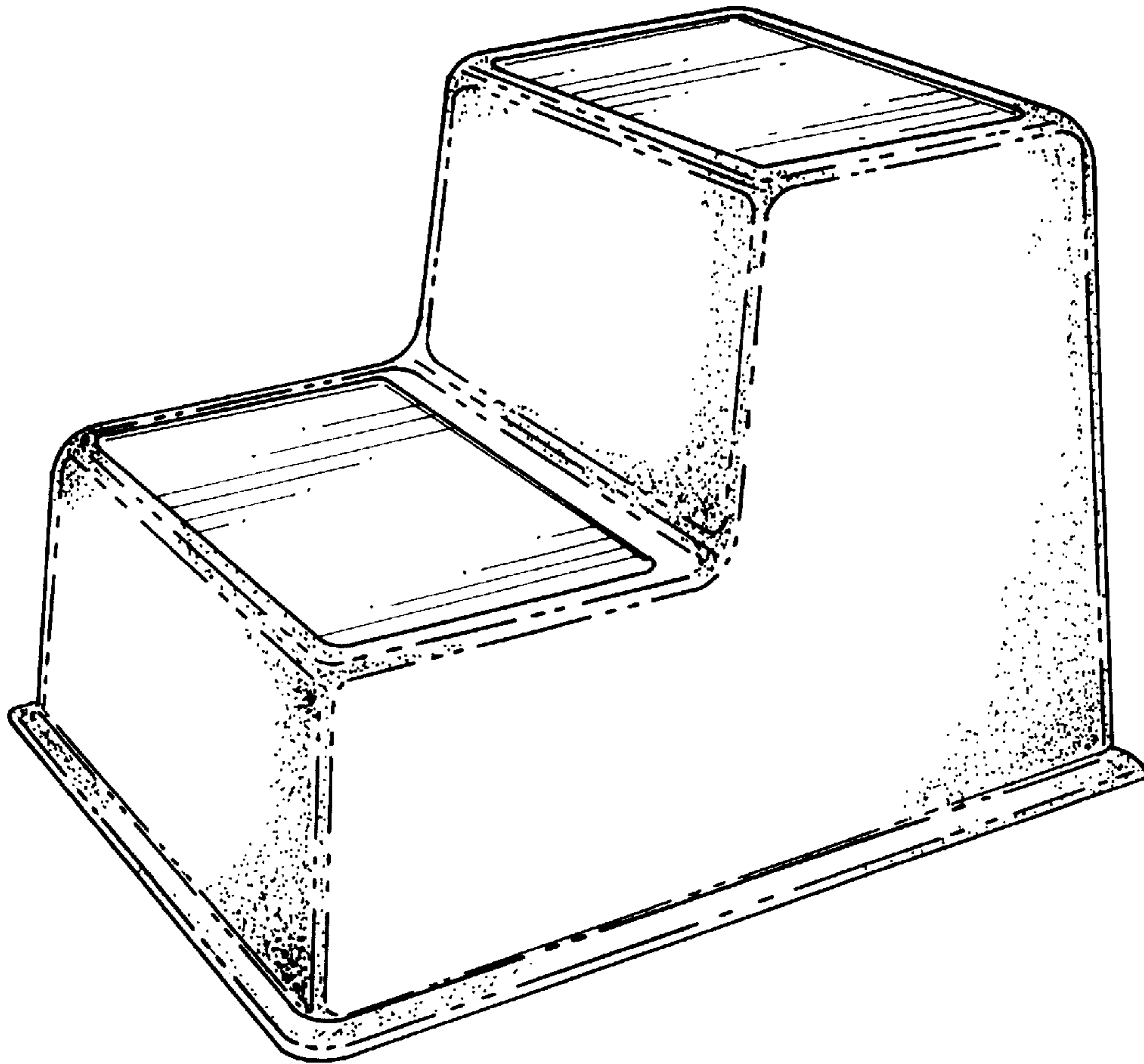


FIG. 2

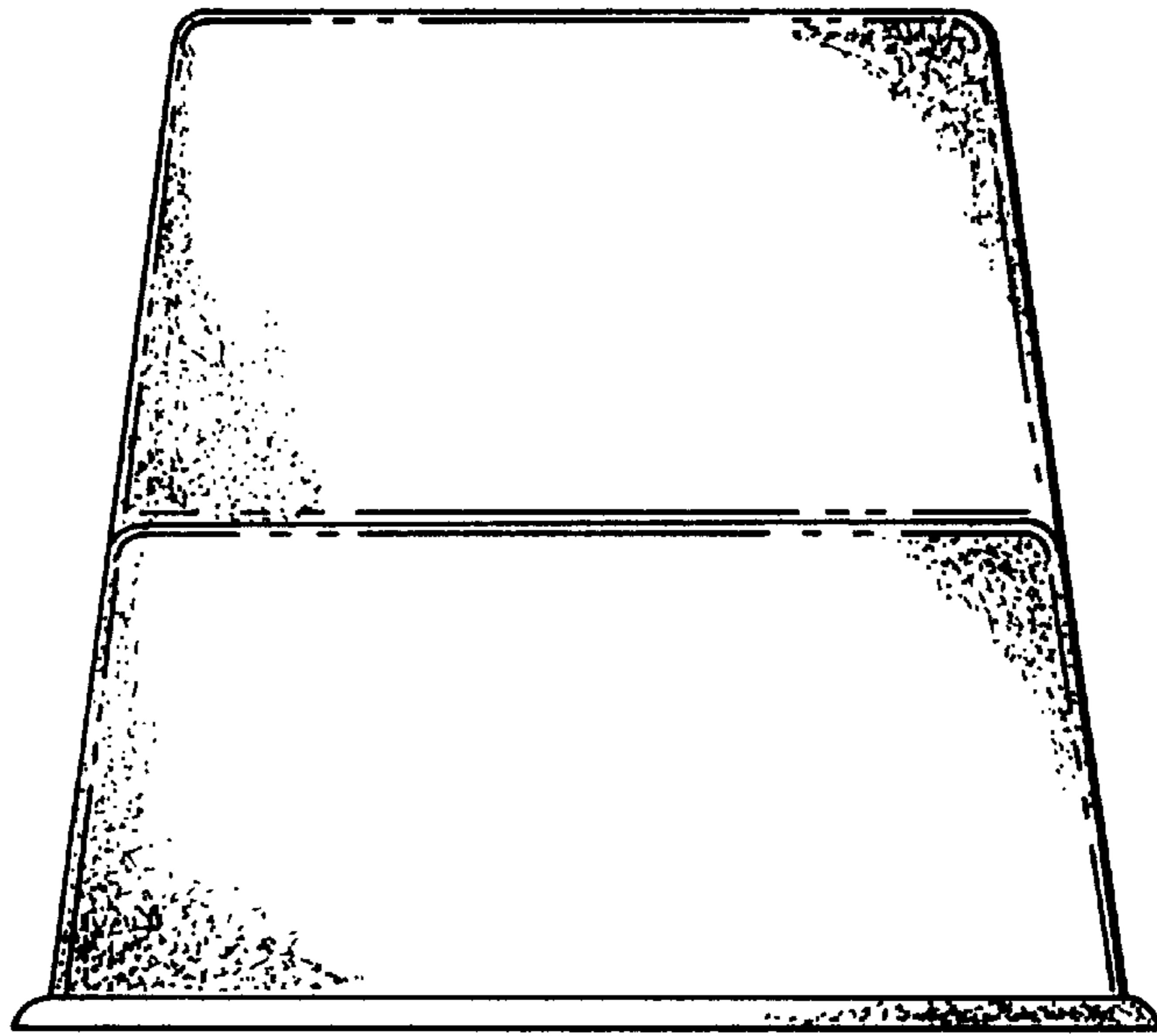


FIG. 3

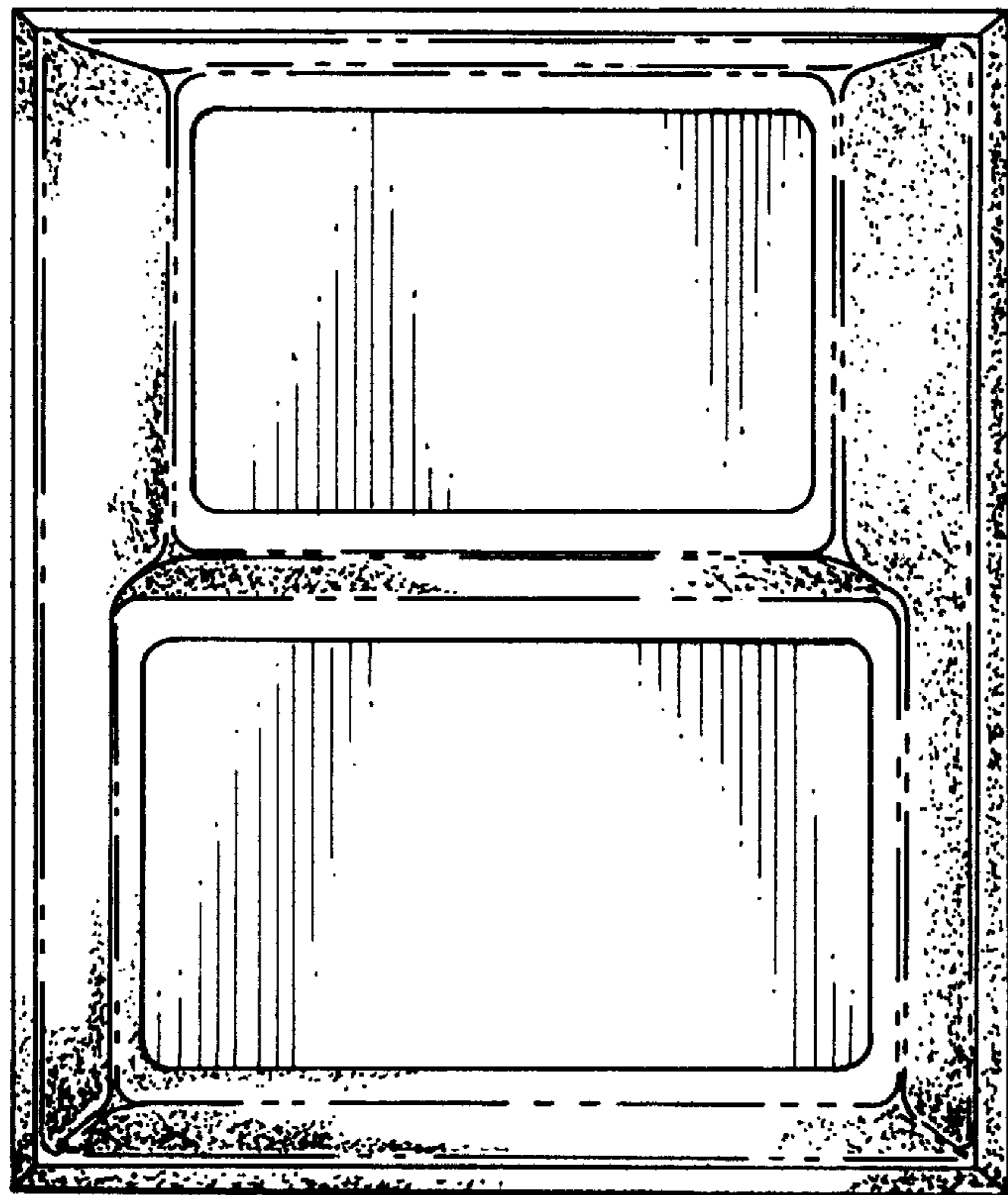
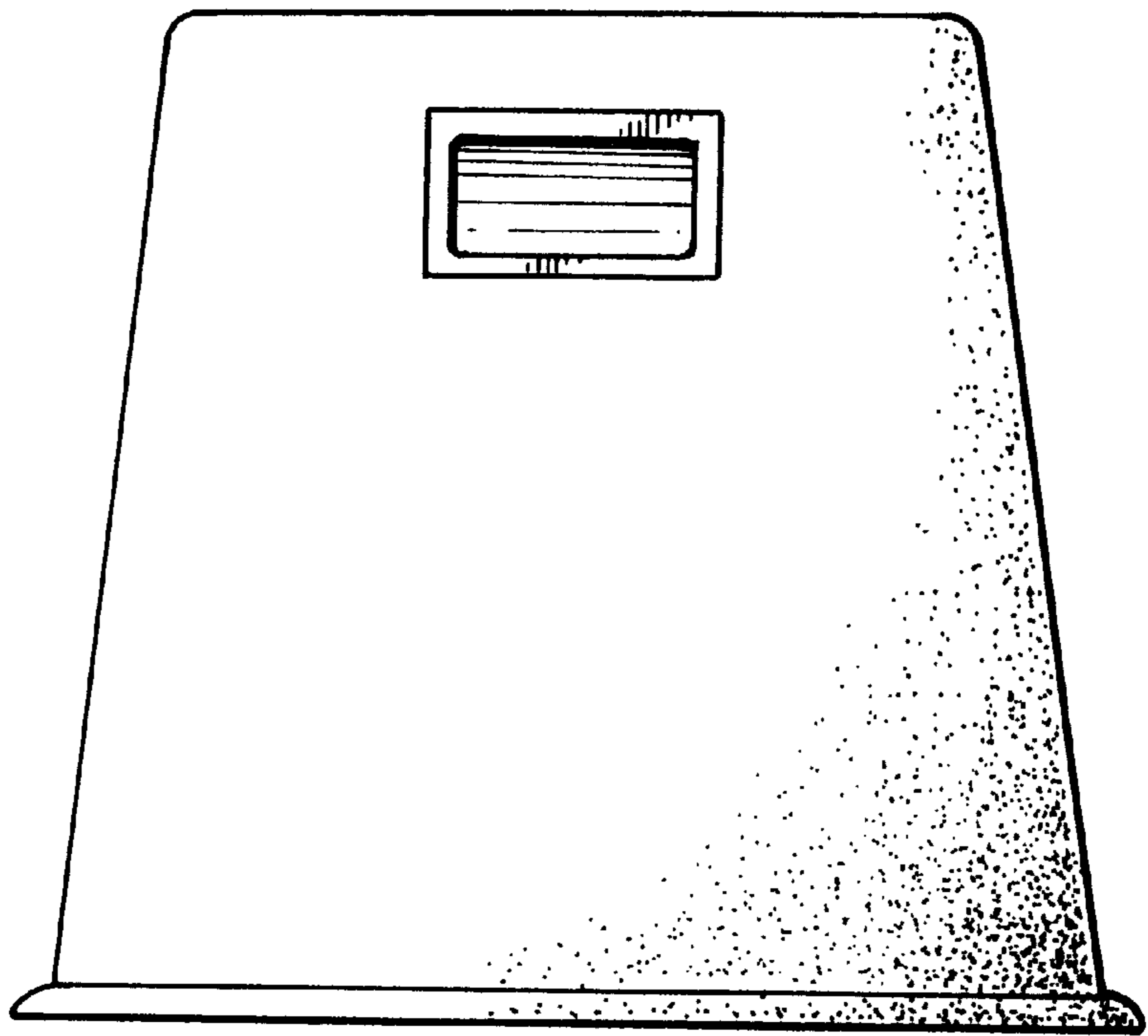


FIG. 4



*FIG. 5*