



US00D429037S

United States Patent [19] Calhoun

[11] Patent Number: **Des. 429,037**

[45] Date of Patent: **** Aug. 1, 2000**

[54] **PET HABITAT**

[76] Inventor: **Steve R. Calhoun**, 5907 W. Campbell Dr., Seaside, Oreg. 97138

[**] Term: **14 Years**

[21] Appl. No.: **29/087,967**

[22] Filed: **May 12, 1998**

[51] **LOC (7) Cl.** **30-02**

[52] **U.S. Cl.** **D30/108**

[58] **Field of Search** D30/108-109,
D30/112-117, 161; 119/464, 484, 467,
475, 436, 503, 445, 452-453, 474, 482,
161-170

4,700,661	10/1987	Lawson	119/503
4,735,173	4/1988	Dubreuil	119/512
5,010,845	4/1991	Azpurua et al.	119/452
5,099,794	3/1992	Pearce, Jr.	119/482
5,448,965	9/1995	McClure	119/482
5,711,253	1/1998	Phillips et al.	119/706
5,769,026	6/1998	Kohn	119/165
5,887,546	3/1999	Gruel	119/165
5,924,380	7/1999	Rayborn	119/464

Primary Examiner—Cathy Anne MacCormac
Attorney, Agent, or Firm—Kolisch, Hartwell, Dickinson,
McCormack & Heuser

[57] CLAIM

The ornamental design for a pet habitat, as shown and described.

DESCRIPTION

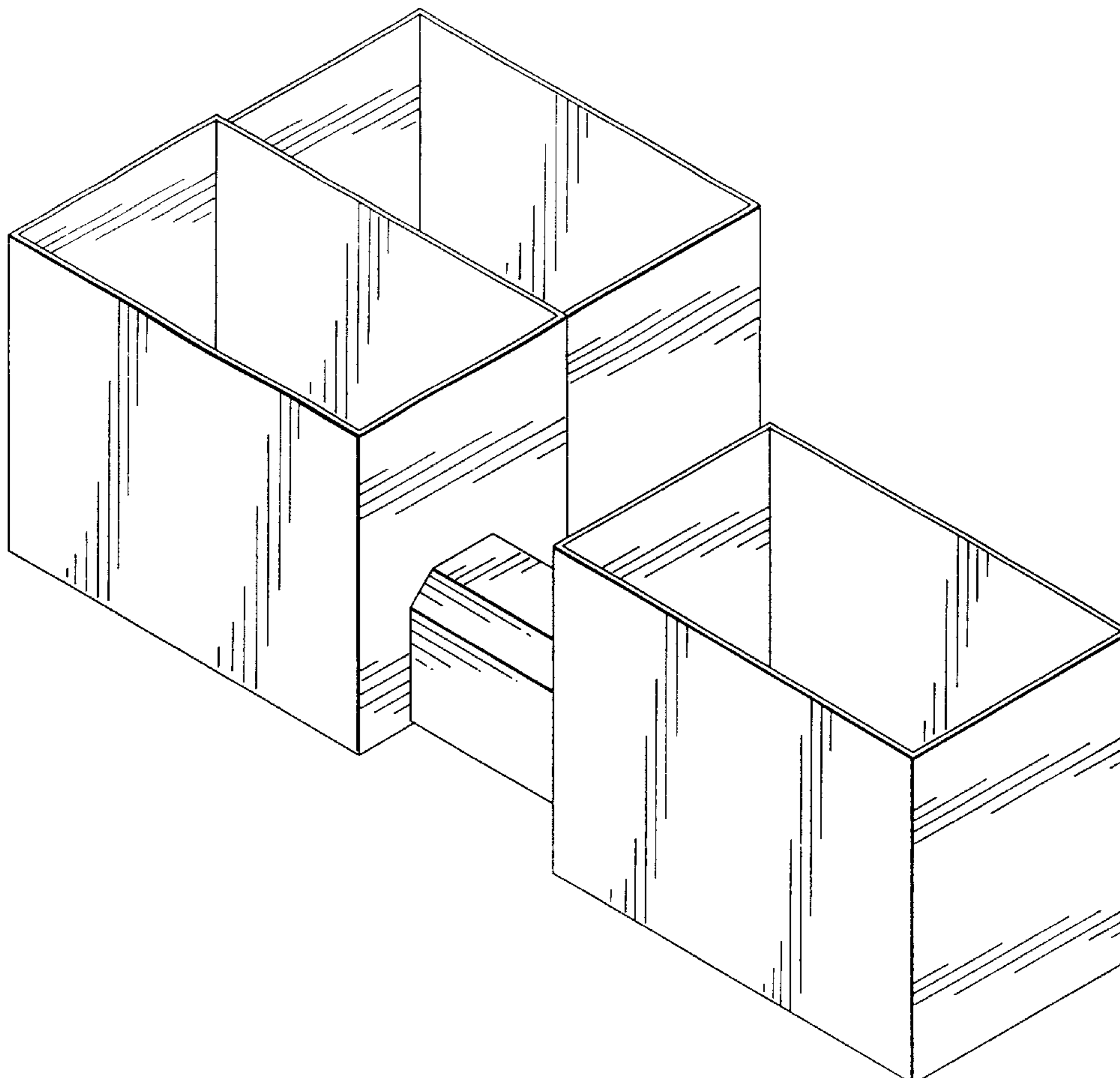
FIG. 1 is an isometric view of a pet habitat showing my new design;
FIG. 2 is a front elevation thereof;
FIG. 3 is a top plan view thereof;
FIG. 4 is a rear elevation thereof;
FIG. 5 is a left-side elevation thereof;
FIG. 6 is a right-side elevation thereof; and,
FIG. 7 is a bottom plan view thereof.

1 Claim, 2 Drawing Sheets

[56] References Cited

U.S. PATENT DOCUMENTS

D. 232,104	7/1974	Le Bague	D30/108
D. 289,574	4/1987	Stinner	D30/161
D. 290,767	7/1987	Duffek	D30/108
D. 383,262	9/1997	Benwell	D30/161
3,561,757	2/1971	Schillig	D30/108
3,618,568	11/1971	Breeden	119/482
3,797,461	3/1974	Breeden	119/482
4,177,761	12/1979	Bellocchi, Jr.	119/482
4,462,335	7/1984	Ahrens	119/445



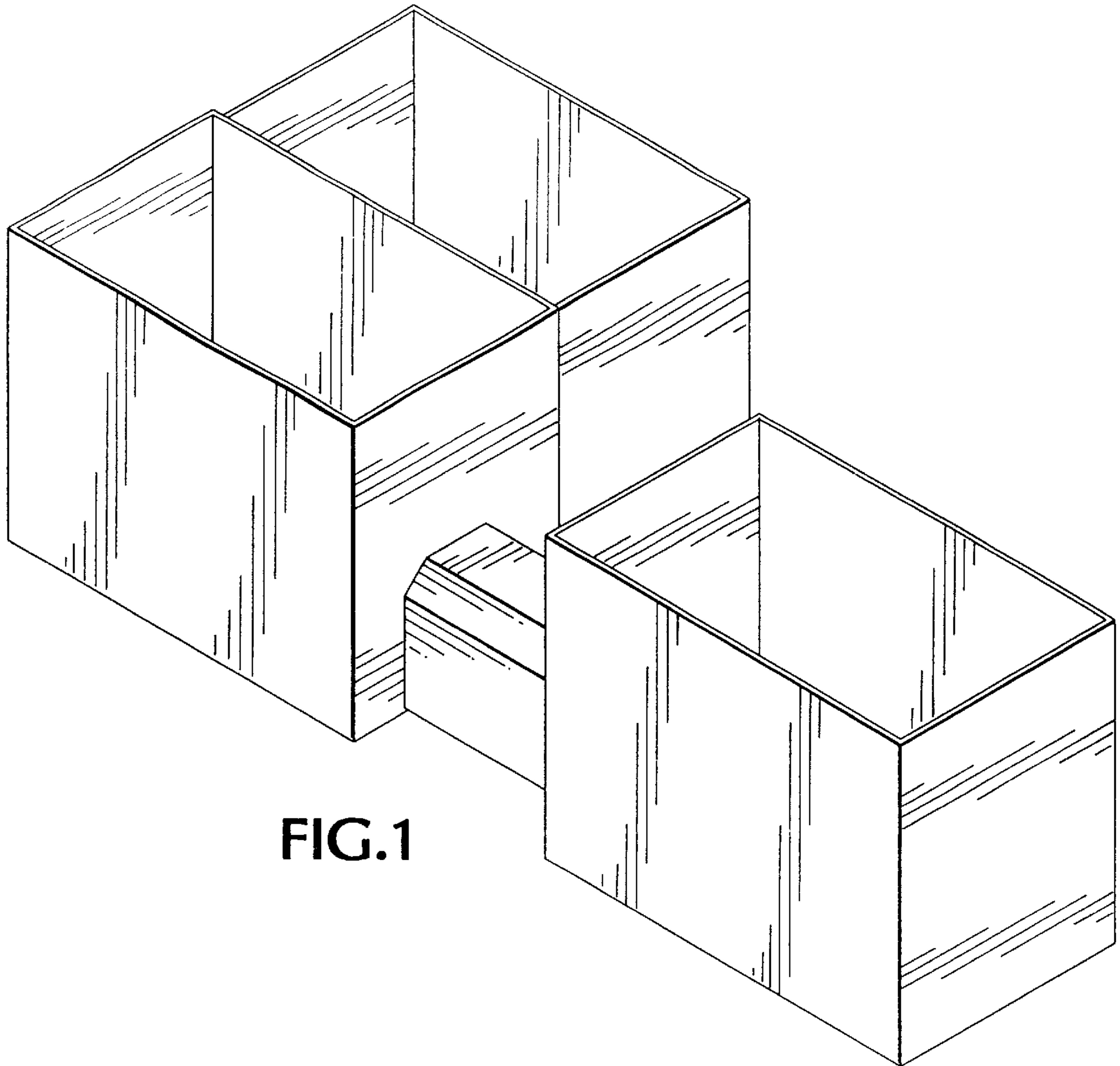


FIG. 1

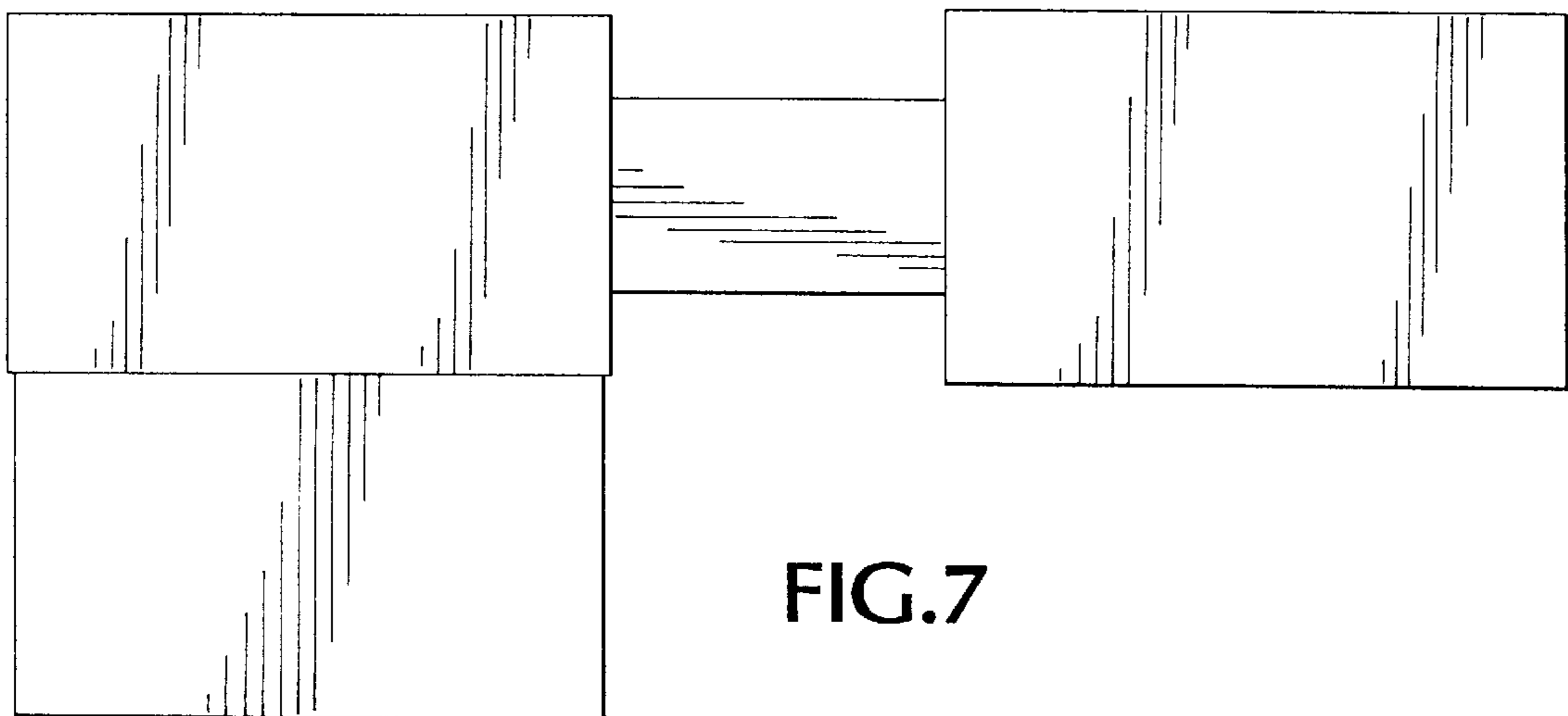


FIG. 7

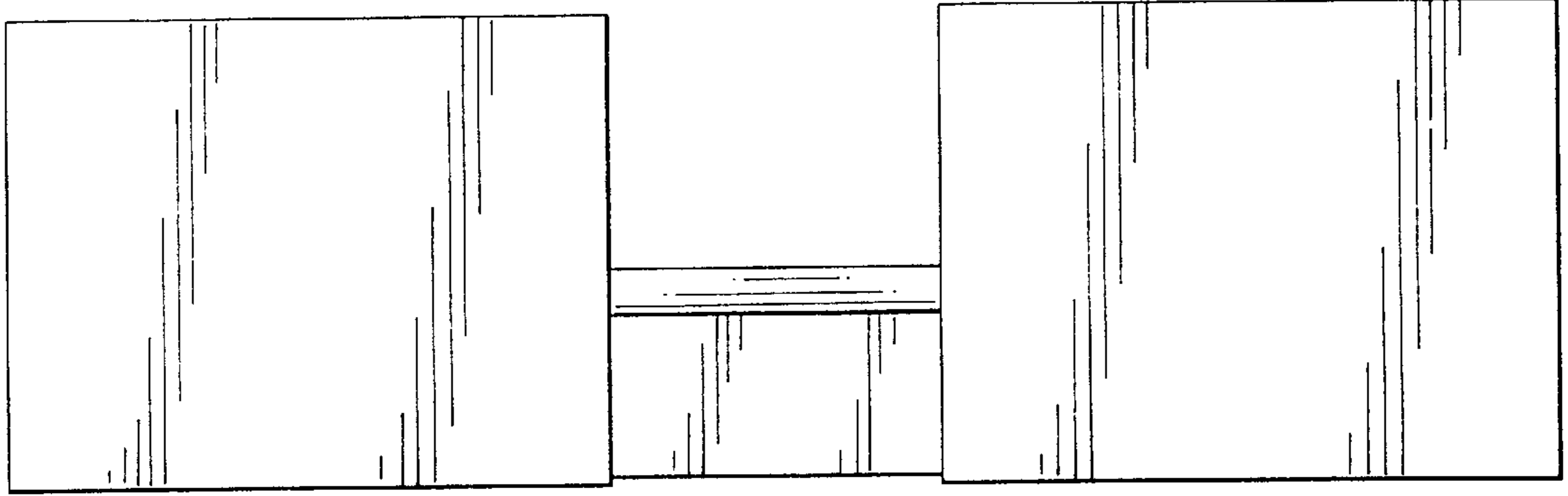


FIG. 2

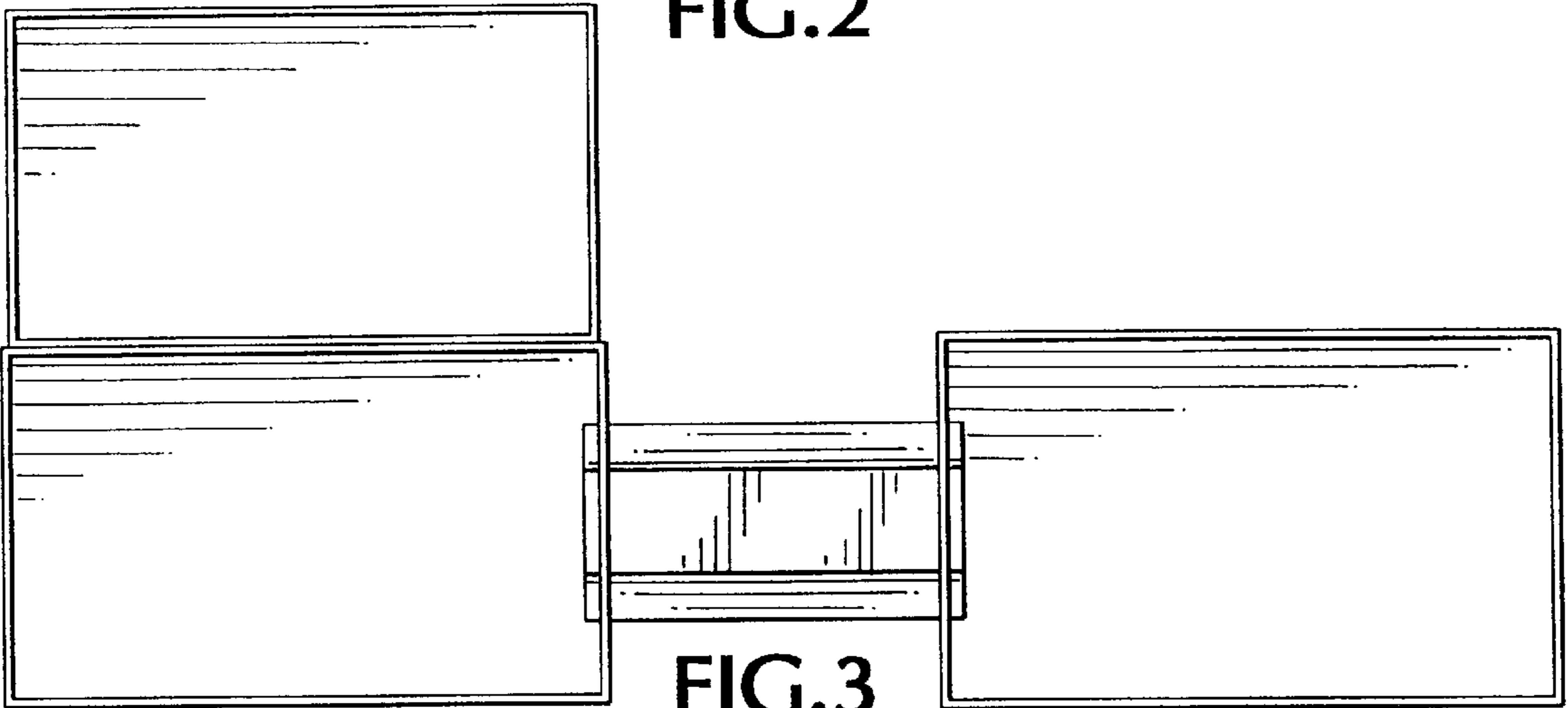


FIG. 3

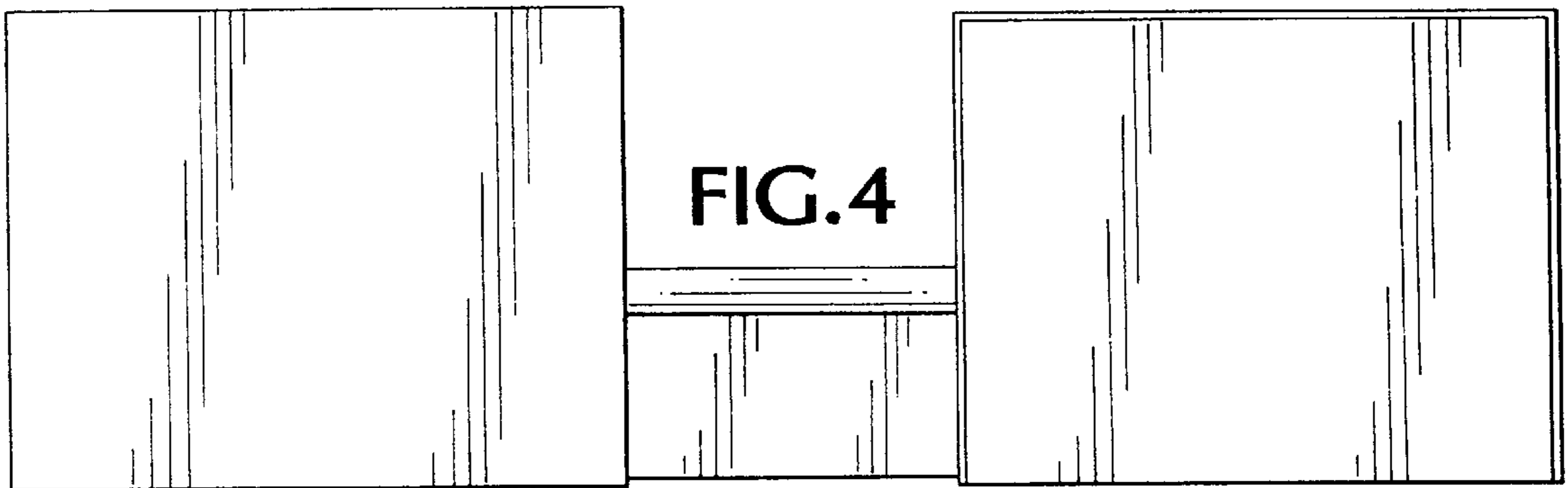


FIG. 4

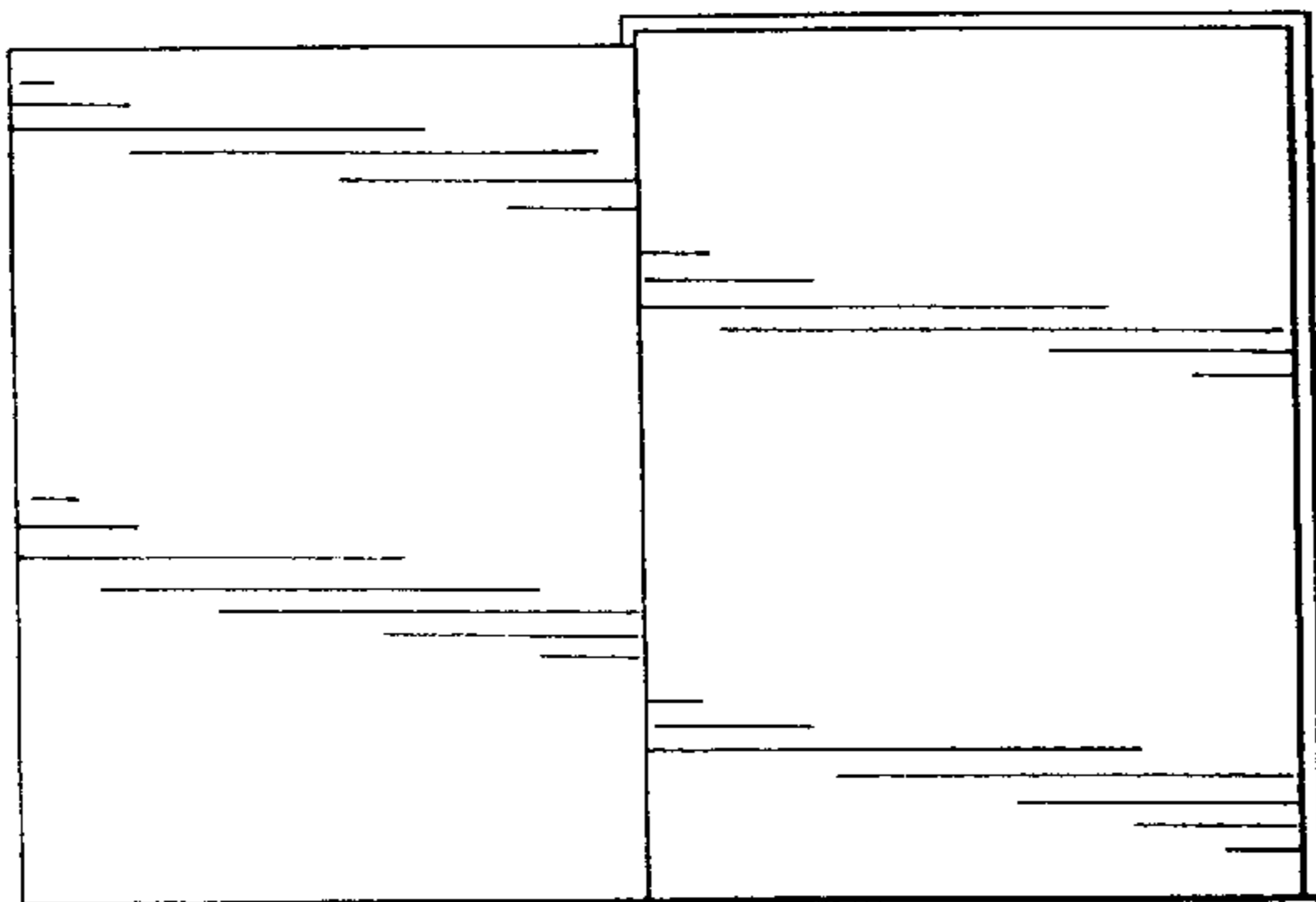


FIG. 5

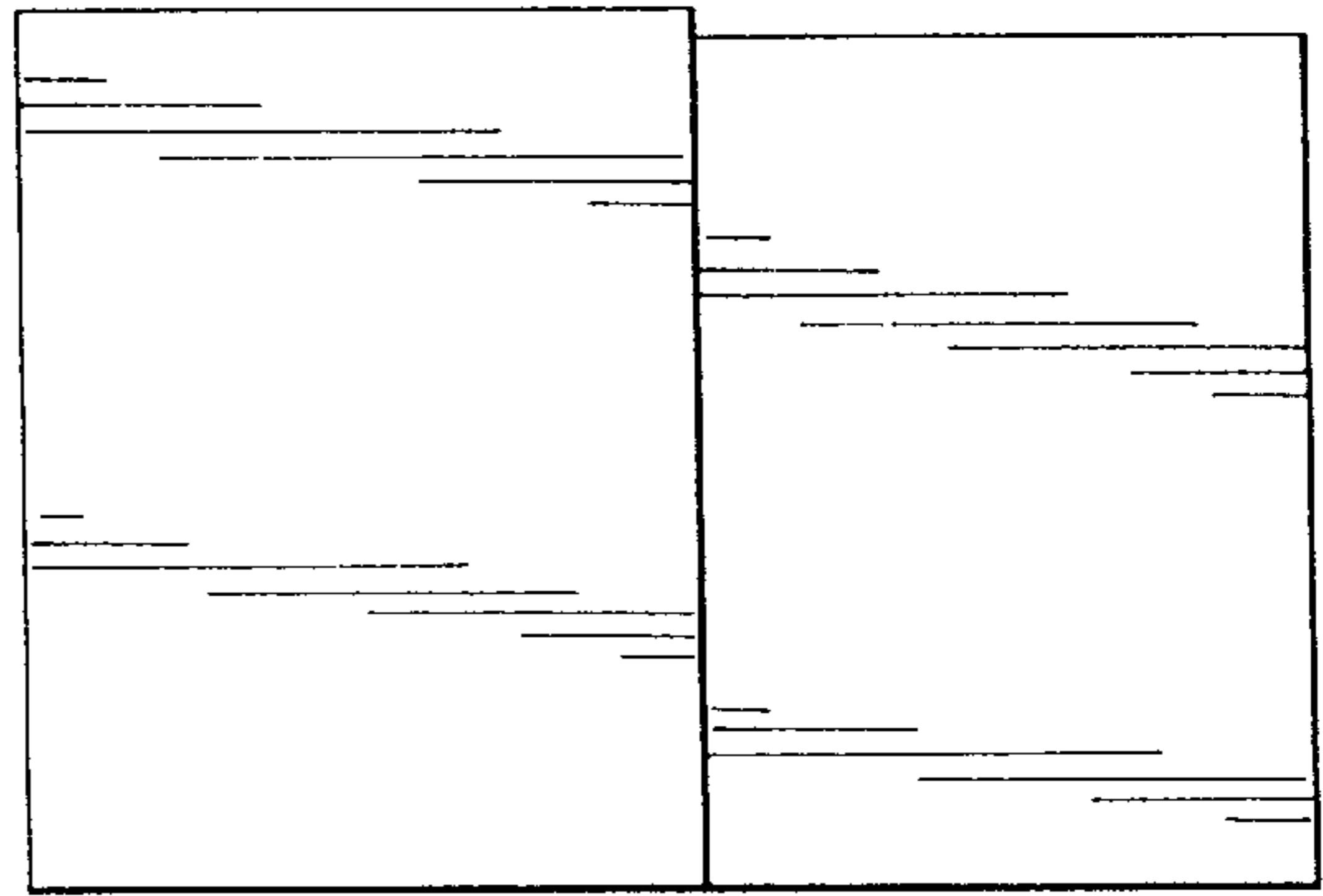


FIG. 6