



US00D429035S

United States Patent [19]
Purnell

[11] **Patent Number: Des. 429,035**

[45] **Date of Patent: ** Aug. 1, 2000**

[54] **PROTECTIVE HEADGEAR FOR WRESTLERS**

[76] Inventor: **John W Purnell**, 2908 Chiselford Dr., Sinking Spring, Pa. 19608

[**] Term: **14 Years**

[21] Appl. No.: **29/101,656**

[22] Filed: **Mar. 9, 1999**

[51] **LOC (7) Cl.** **09-03**

[52] **U.S. Cl.** **D29/106**

[58] **Field of Search** D29/102-107, D29/109-110, 122; D2/865, 866, 869, 871, 872, 876, 879, 882, 891; 2/7, 9, 12, 15, 411-412, 414-415, 421, 423-425, 427-430, 209

3,596,288 8/1971 Marchello .

4,037,273 7/1977 Labaire 2/209

4,279,037 7/1981 Morgan D29/106

4,710,985 12/1987 Dubner et al. .

4,766,610 8/1988 Mattes D29/122

4,821,345 4/1989 Marchello 2/425

5,500,951 3/1996 Marchello 2/421

5,504,945 4/1996 Purnell .

5,881,393 3/1999 Marchello 2/425

Primary Examiner—Louis S. Zarfaz
Assistant Examiner—Robert A. Delehanty

[57] **CLAIM**

The ornamental design for a protective headgear for wrestlers, as shown and described.

DESCRIPTION

FIG. 1 is a front view of the headgear of the new design; FIG. 2 is a right side view of the headgear of the new design; FIG. 3 is a left side view of the headgear of the new design; and, FIG. 4 is a rear view of the headgear of the new design.

1 Claim, 3 Drawing Sheets

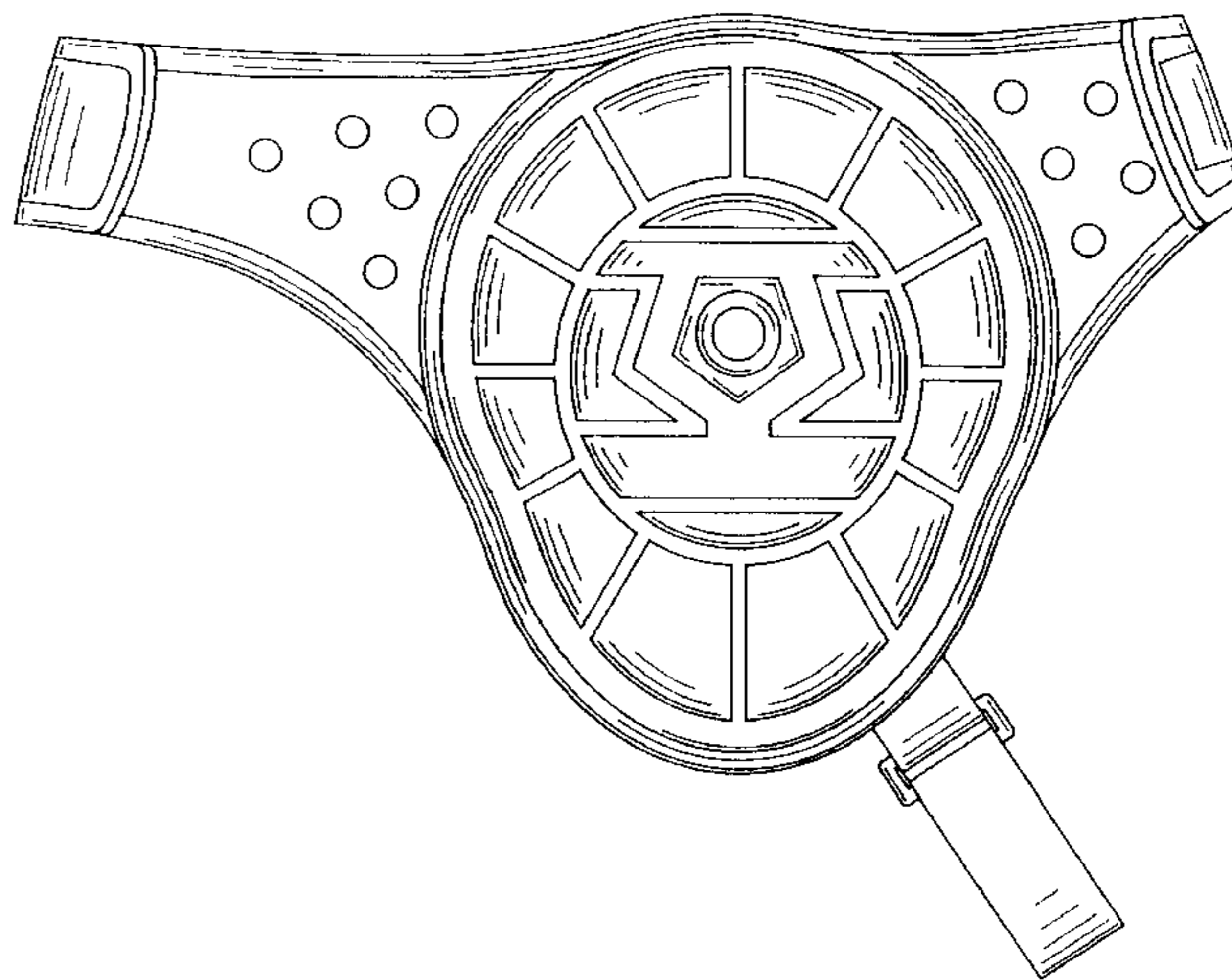
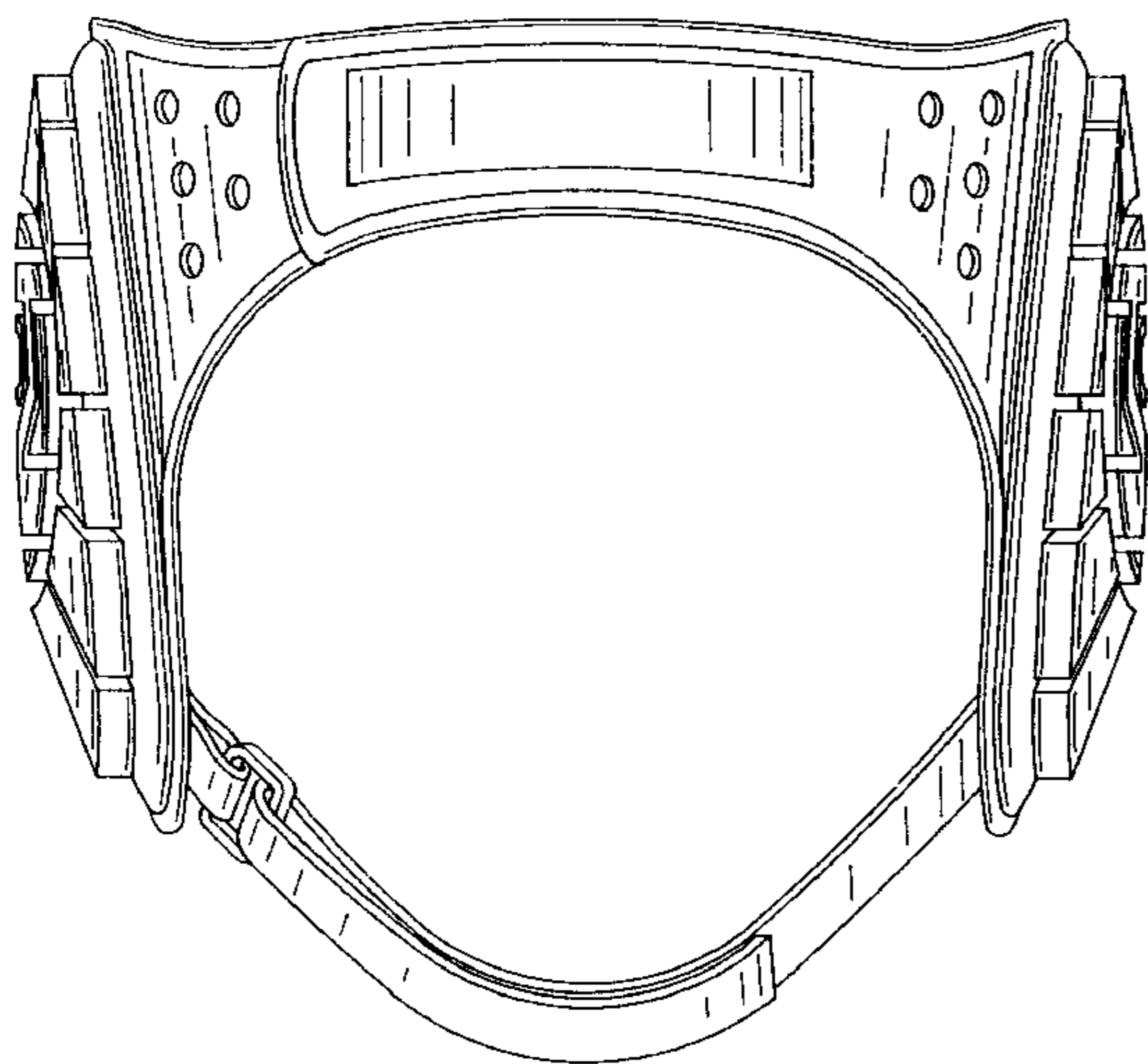
[56] **References Cited**

U.S. PATENT DOCUMENTS

D. 366,732 1/1996 Gregg et al. D29/108

D. 370,309 5/1996 Stucky D29/102

836,315 8/1906 Pierce D29/106



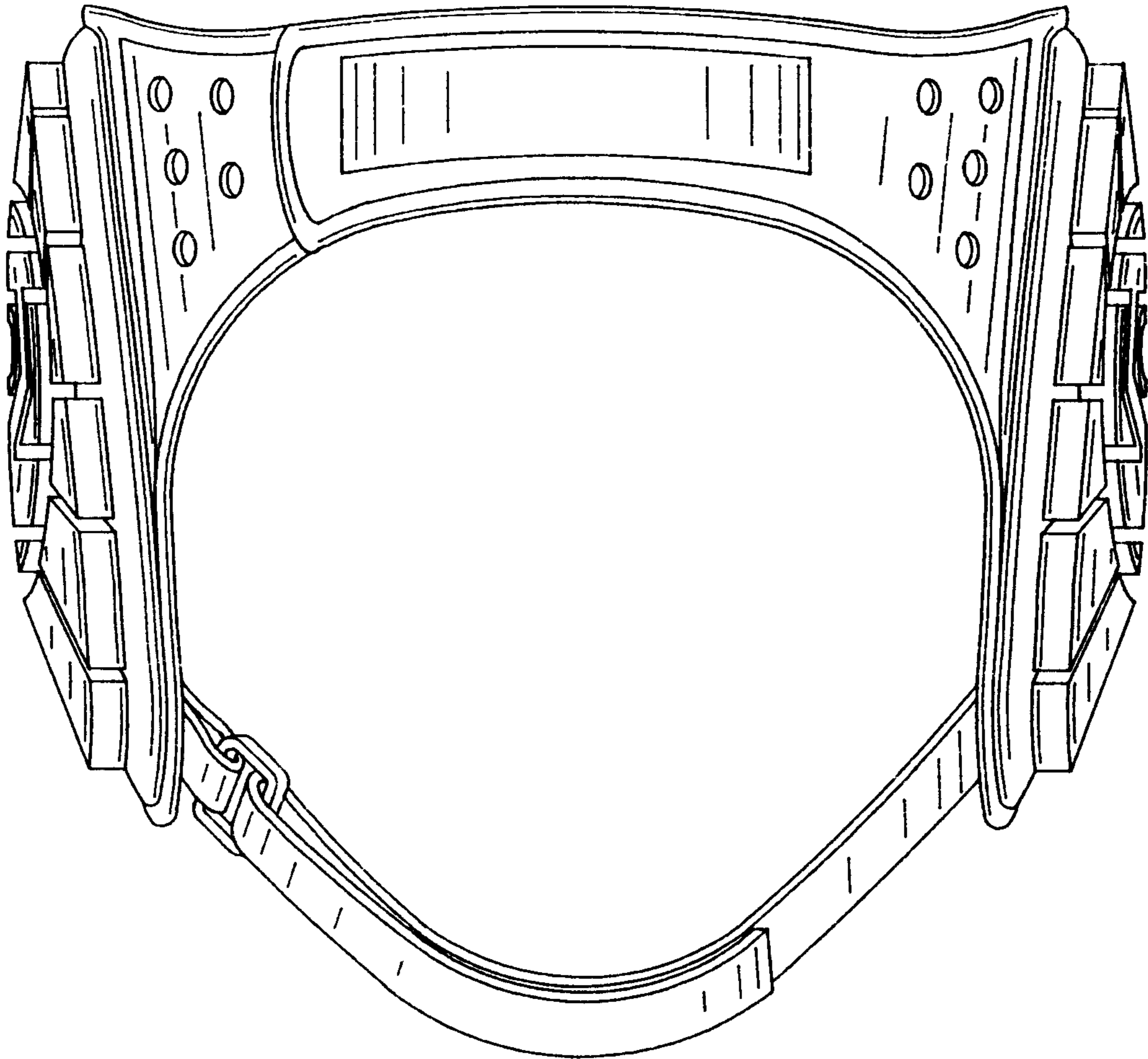


FIG. 1

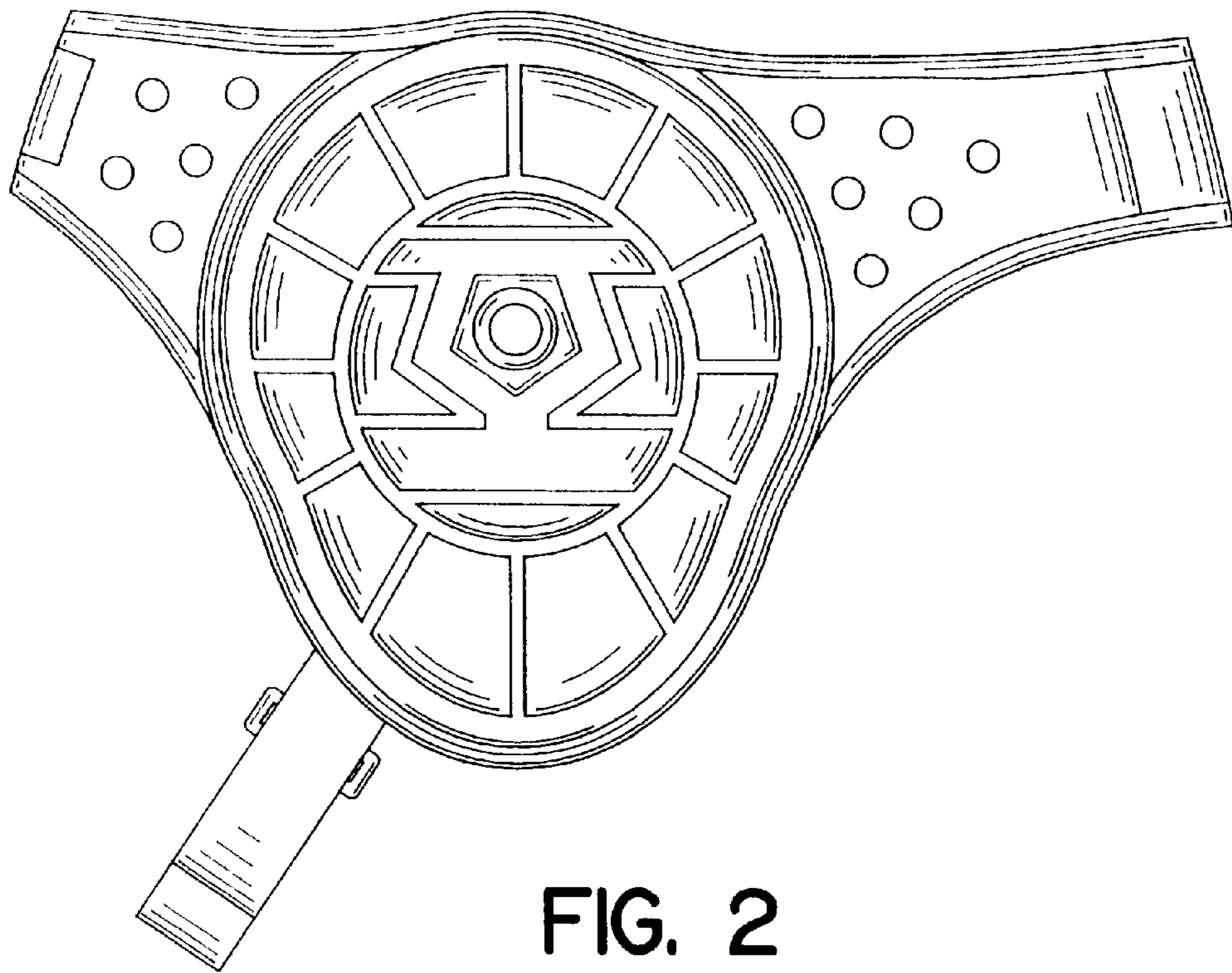


FIG. 2

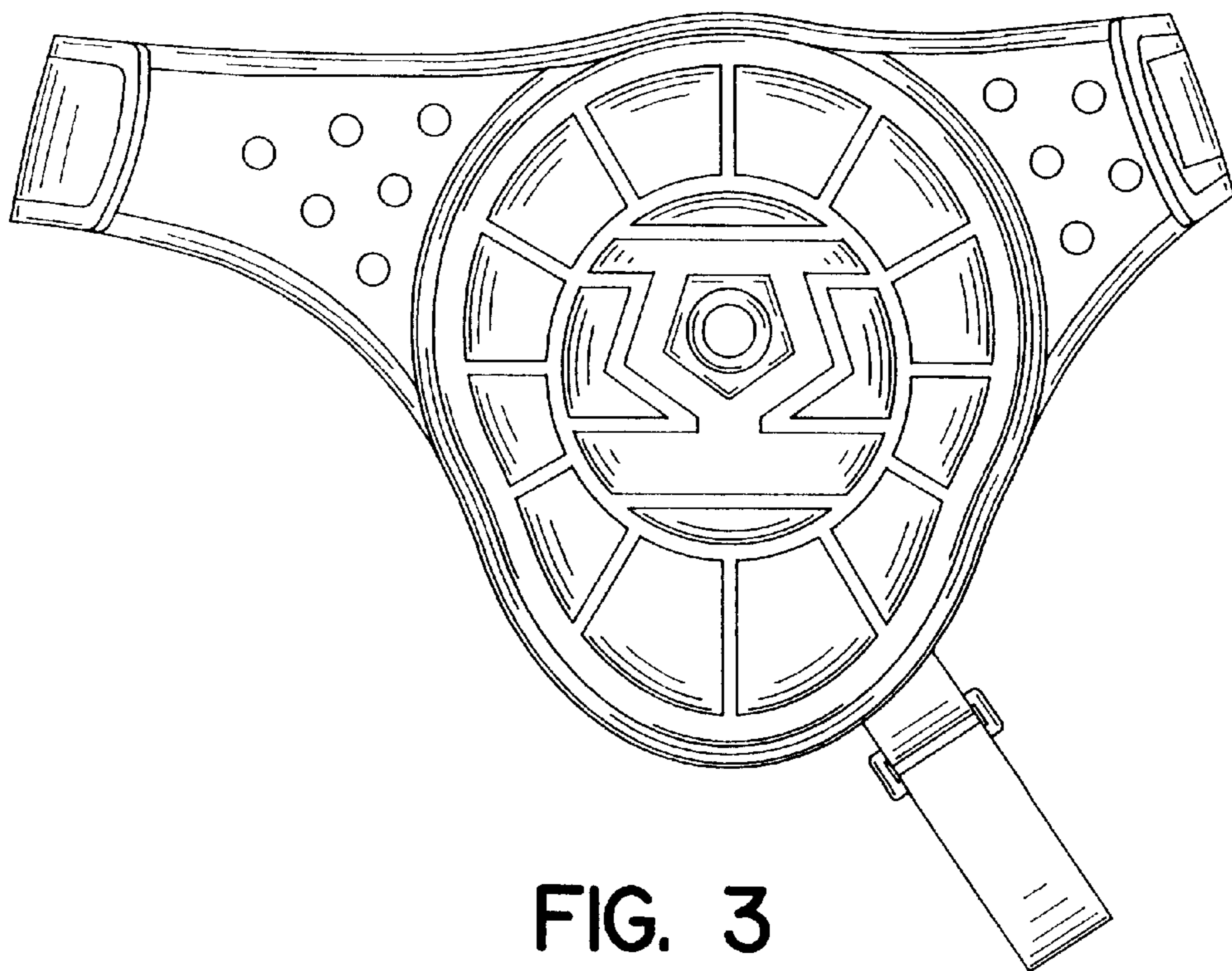


FIG. 3

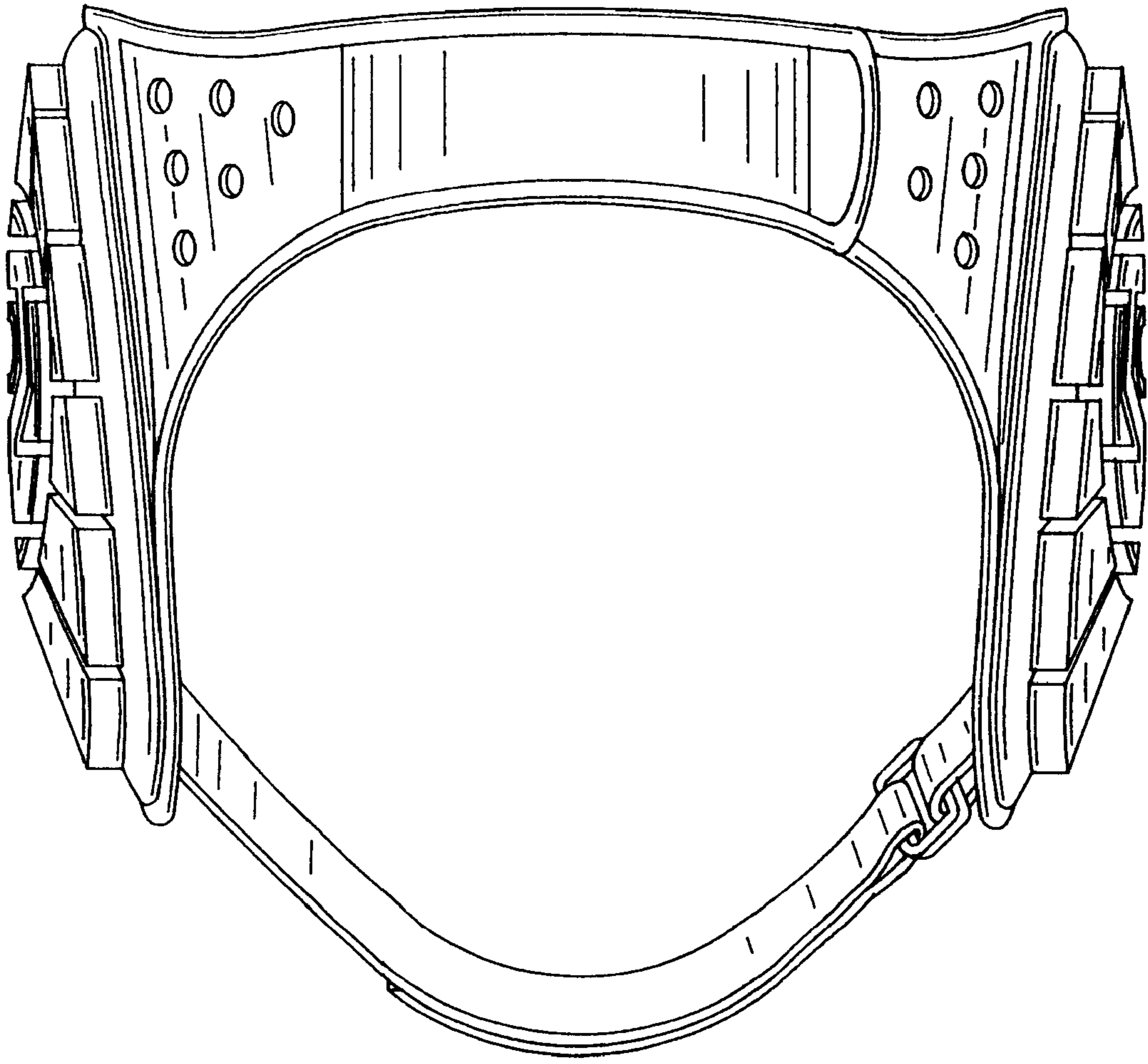


FIG. 4