



US00D429029S

United States Patent [19]
Ford

[11] **Patent Number: Des. 429,029**
[45] **Date of Patent: ** Aug. 1, 2000**

[54] **HAIR STYLING ACCESSORY**

[76] Inventor: **Judit K. Ford**, 12406 El Oro Way,
Granada Hills, Calif. 91344

[**] Term: **14 Years**

[21] Appl. No.: **29/095,952**

[22] Filed: **Nov. 2, 1998**

[51] **LOC (7) Cl.** **28-03**

[52] **U.S. Cl.** **D28/39**

[58] **Field of Search** D28/10, 30, 43,
D28/75; 132/68.1, 69.1, 72.1, 247, 275,
57.1; D3/28; D11/47, 48, 49, 207, 209;
63/20, 26

[56] **References Cited**

U.S. PATENT DOCUMENTS

D. 35,768	2/1902	Steele	D11/47
D. 182,016	2/1958	Dean	.	
D. 186,257	9/1959	Solomon	D28/39
D. 206,206	11/1966	Battaglia	.	
D. 216,753	3/1970	Long, Jr.	.	
D. 247,858	5/1978	Moya	.	
D. 258,541	3/1981	Featherstone	.	
D. 269,044	5/1983	Battaglia	.	
D. 282,293	1/1986	Harvey	.	
D. 290,065	6/1987	Battaglia	.	
D. 307,808	5/1990	Cabiddu	.	
D. 330,781	11/1992	Balster et al.	.	
D. 365,173	12/1995	Ford	.	
D. 369,312	4/1996	Saladino	D11/47
D. 388,539	12/1997	Ford	.	
D. 412,218	7/1999	Edmark	D28/10
D. 417,749	12/1999	Kellman	D28/10

837,615	12/1906	Dover	63/26
2,225,590	12/1940	Huppert	.	
3,324,865	6/1967	Battaglia	.	
3,464,427	9/1969	Abraham	.	
4,239,050	12/1980	Leussi	.	
4,310,008	1/1982	Lalli	.	
4,520,831	6/1985	Schumann et al.	.	
4,612,944	9/1986	Bachrach et al.	.	
4,984,590	1/1991	Bachtell	.	
5,025,816	6/1991	Jones	.	
6,003,520	12/1999	Ford	132/247

OTHER PUBLICATIONS

“Hong Kong Enterprise” Oct. 1989; p. 702; comb indicated by arrow.

“Hong Kong Enterprises” Oct. 1991; p. 477 second row, left comb indicated by arrow.

Primary Examiner—Paula A. Mortimer
Attorney, Agent, or Firm—Kelly Bauersfeld Lowry & Kelly, LLP

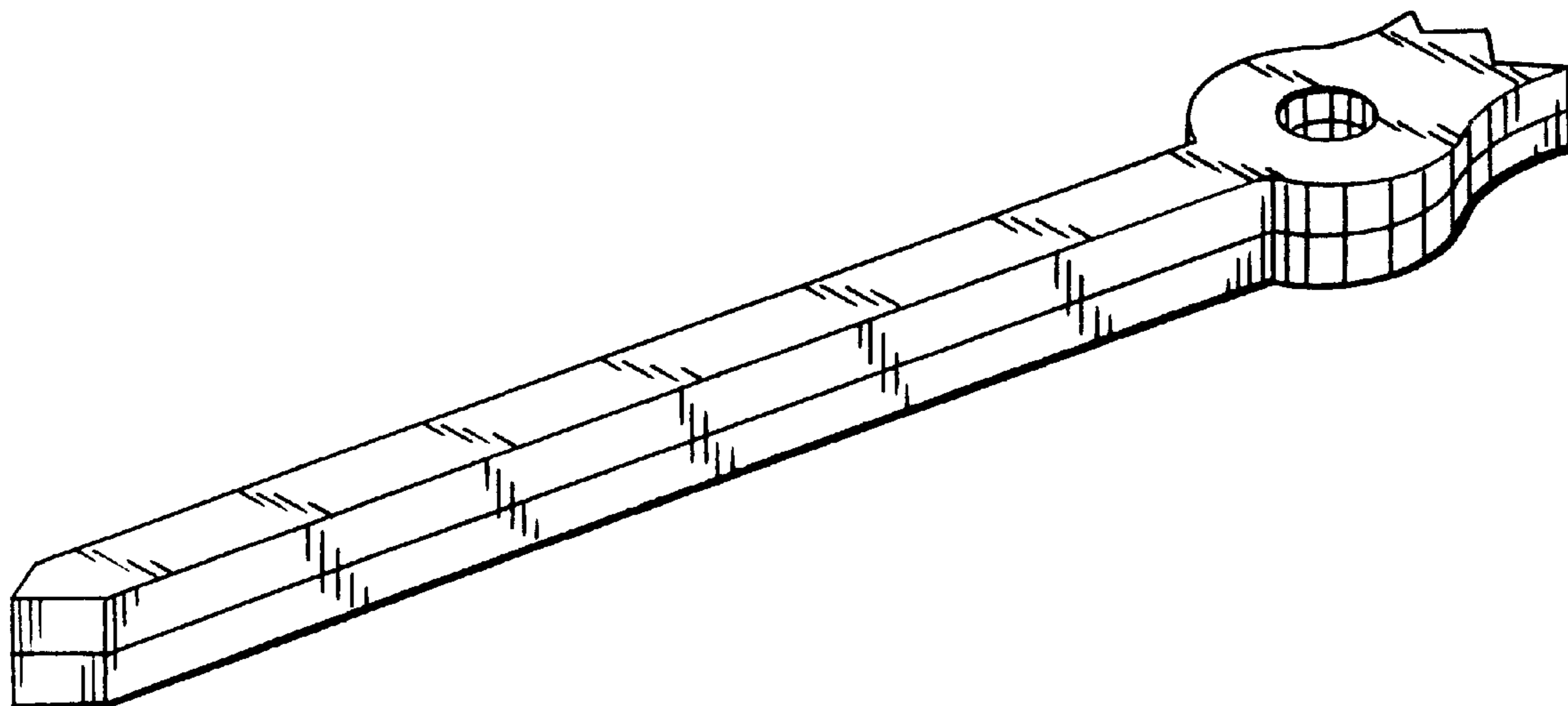
[57] **CLAIM**

The ornamental design for a hair styling accessory, as shown.

DESCRIPTION

FIG. 1 is a top, rear and side perspective view of a hair styling accessory embodying my new design; FIG. 2 is a rear elevational view thereof; FIG. 3 is a front elevational view thereof; FIG. 4 is a right side elevational view thereof, the left side elevational view being a mirror image; and, FIG. 5 is a top plan view thereof, the bottom plan view being a mirror image.

1 Claim, 1 Drawing Sheet



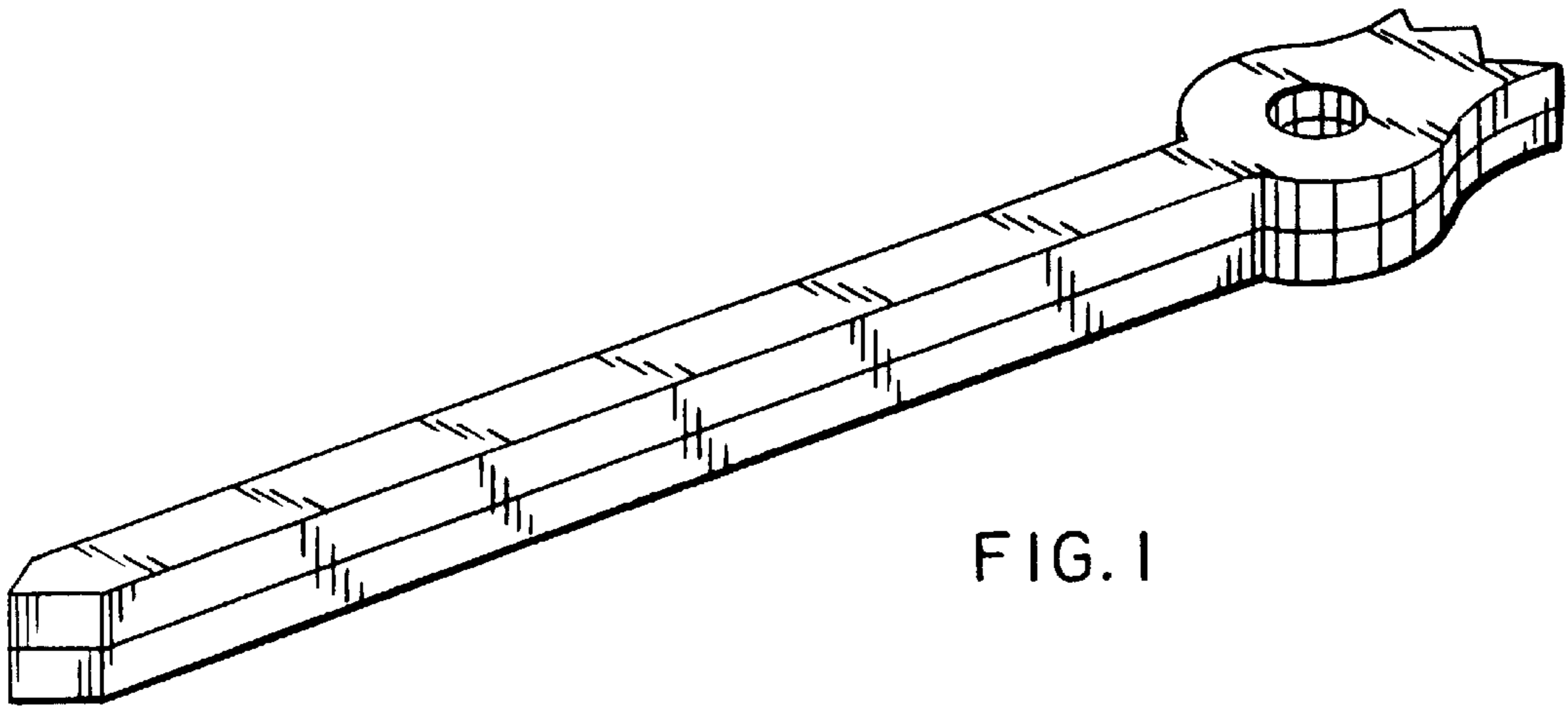


FIG. 1



FIG. 2



FIG. 3

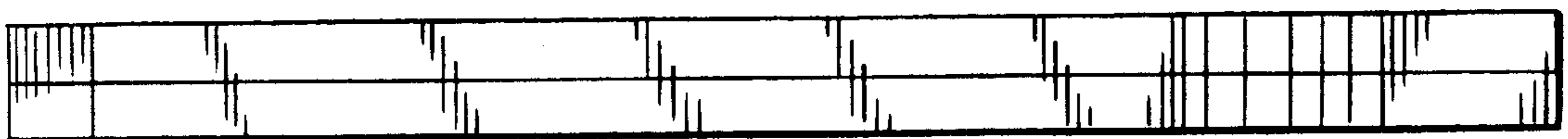


FIG. 4

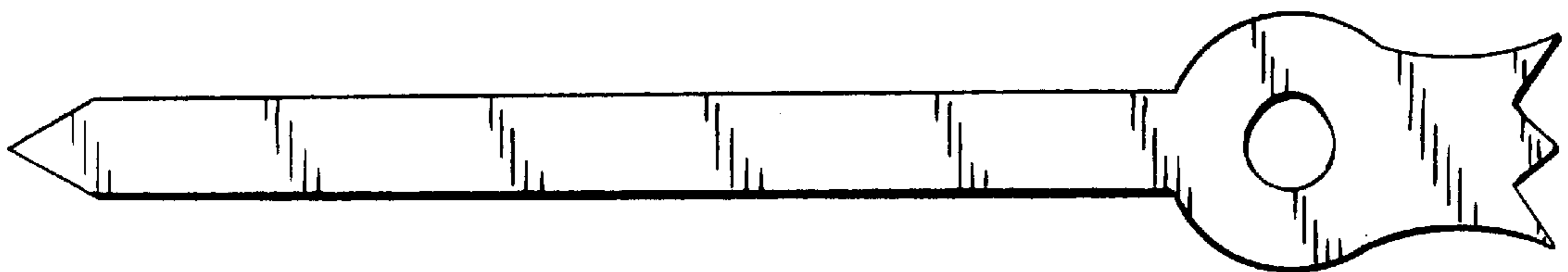


FIG. 5