



US00D429024S

# United States Patent [19]

[11] **Patent Number: Des. 429,024**

**Dolan**

[45] **Date of Patent: \*\* Aug. 1, 2000**

[54] **LAMP CUP**

[76] Inventor: **Patrick S. Dolan**, 1901 NW. Upshur, Portland, Oreg. 97209

[\*\*] Term: **14 Years**

[21] Appl. No.: **29/110,899**

[22] Filed: **Sep. 15, 1999**

[51] **LOC (7) Cl.** ..... **26-99**

[52] **U.S. Cl.** ..... **D26/142**

[58] **Field of Search** ..... D26/72, 80-92, D26/142, 152, 153, 154; 362/404-409

Westwood by Kichler 7711 E. Pleasant Valley Rd Cleveland, OH 44131 Cat.No. 399 1999 p. 15, Model 7418.  
Diamond Classics 5649 N. Peck Rd Arcadia, CA 91006 Cat.No. 615 Jan. 1994 p. 12 Model D76389-17.  
Artercraft PO Box 15426 E Service Rd Champlain, NY 12919 Catalog 1997 Model AC7516 p. 19.  
American Derosa Lamparts 2674 Noakes St L.A., CA Cat.No. 95 1995 p. 123 Model E3043.

*Primary Examiner*—Susan J. Lucas

## [57] CLAIM

The ornamental design for a lamp cup, as shown and described.

## [56] References Cited

### U.S. PATENT DOCUMENTS

- D. 367,939 3/1996 Dolan .
- D. 367,941 3/1996 Dolan .

### OTHER PUBLICATIONS

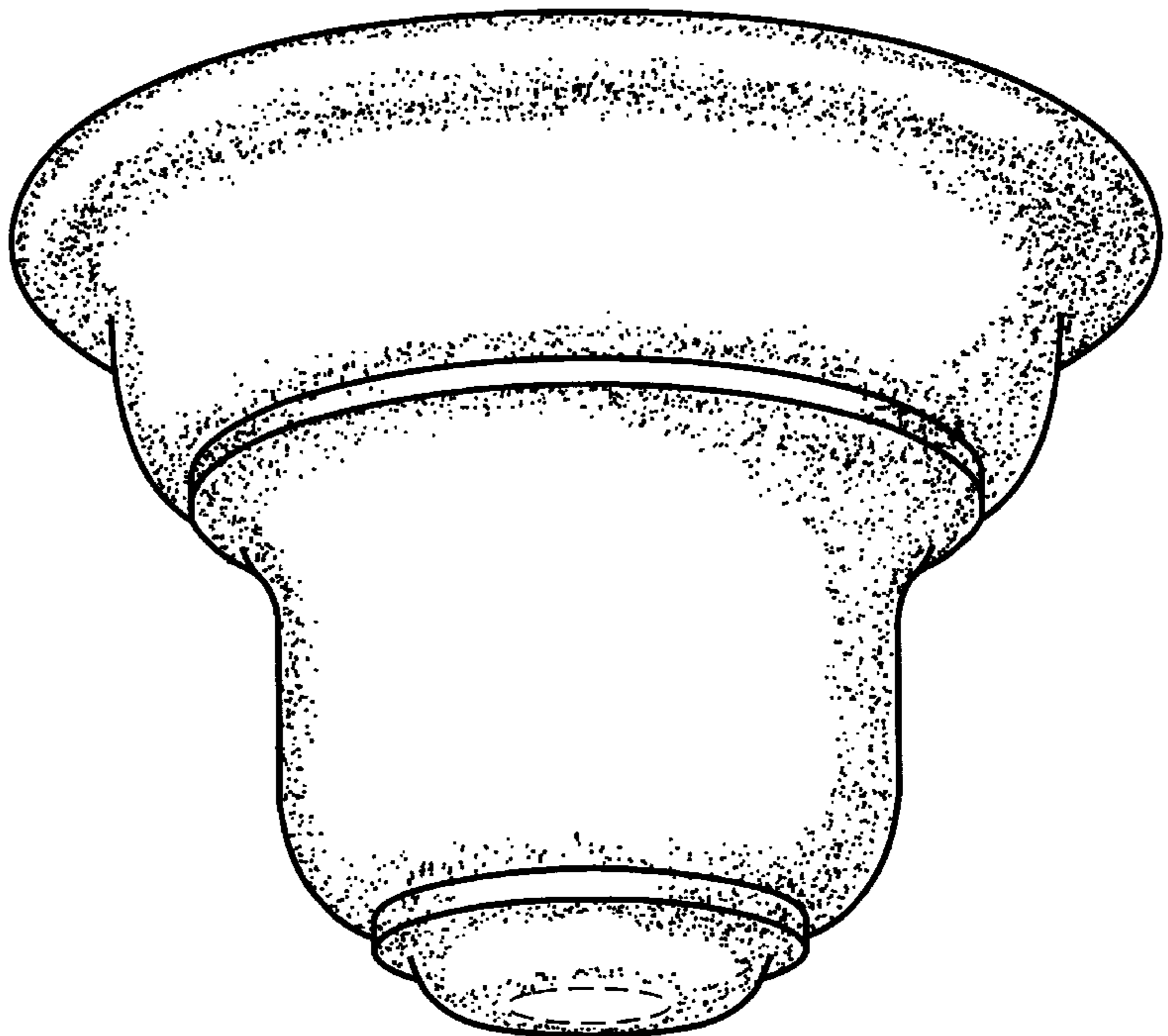
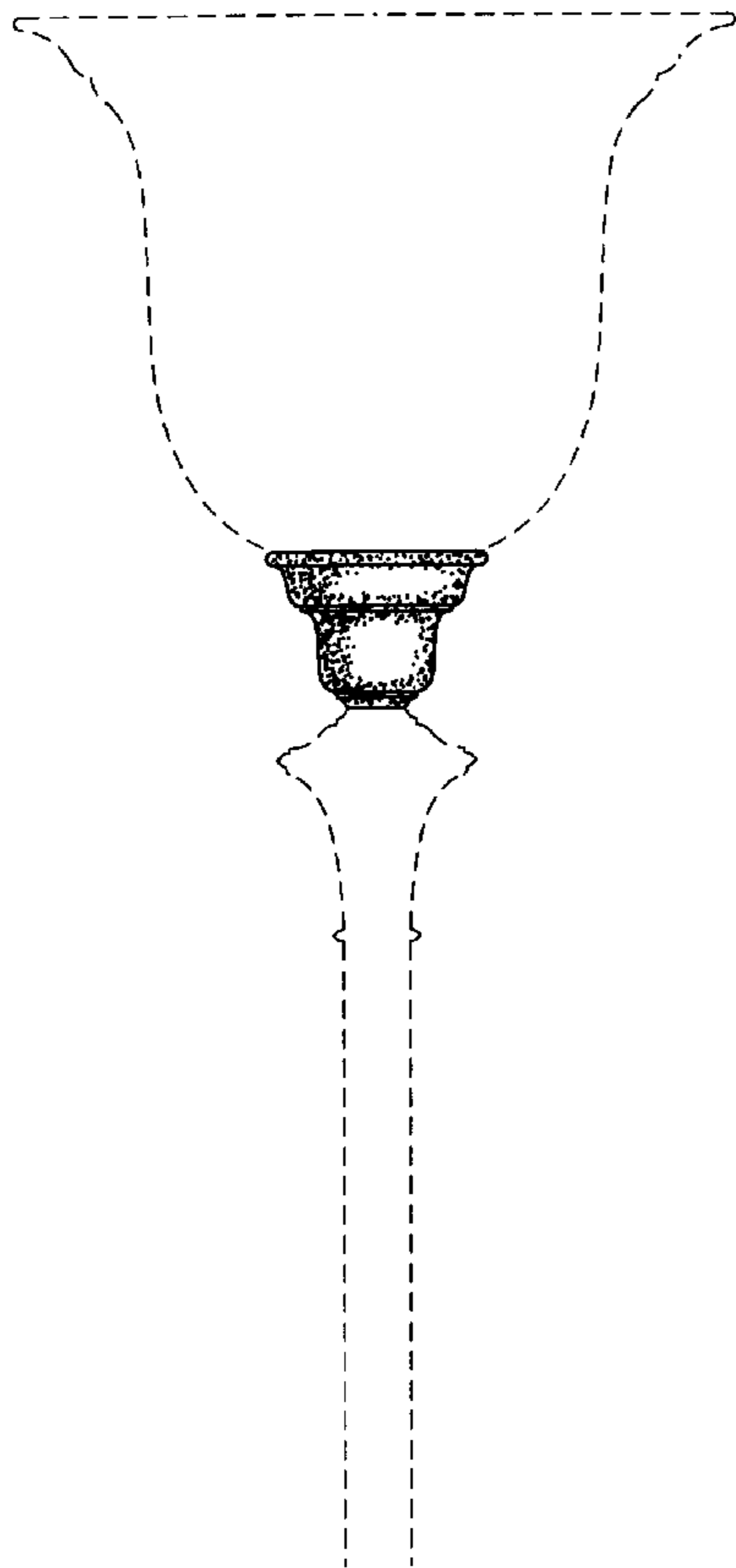
Murray Feiss 125 Rose Feiss Blvd Bronx, NY 10454 Model 8636 WP p. LP-59 Catalog vol. LP-1-98 1998.  
Robert Abbey, Inc. 3166 Main Ave SE Hickory, NC 28602 Catalog 1998 p. 48 Model 6083.

## DESCRIPTION

FIG. 1 is a front location elevational view thereof;  
FIG. 2 is a perspective view thereof;  
FIG. 3 is a front elevational view thereof;  
FIG. 4 is a top plan view thereof; and,  
FIG. 5 is a bottom plan view thereof.

The broken lines shown in the drawing are environmental only and form no part of the claimed design.

**1 Claim, 4 Drawing Sheets**



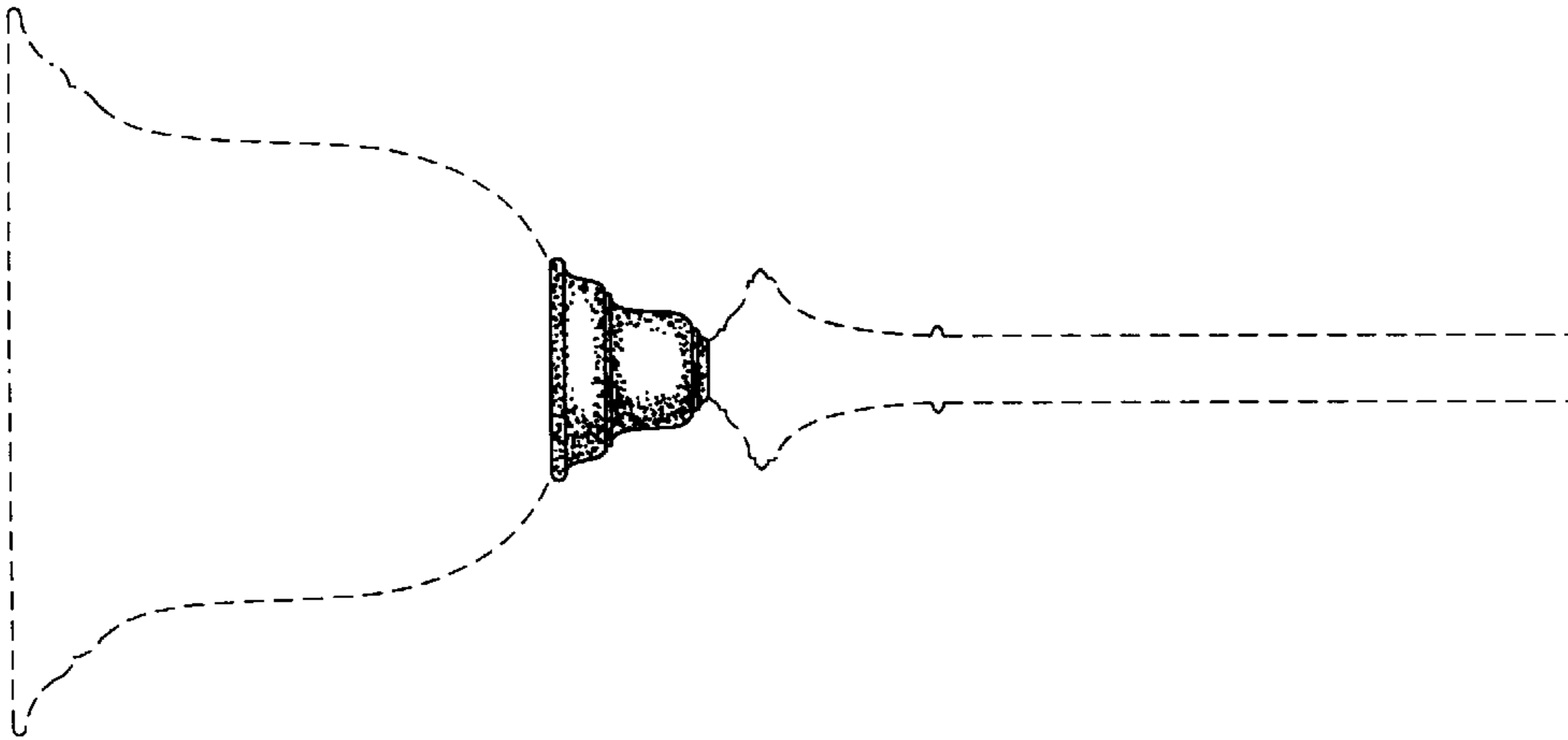


FIG. 1

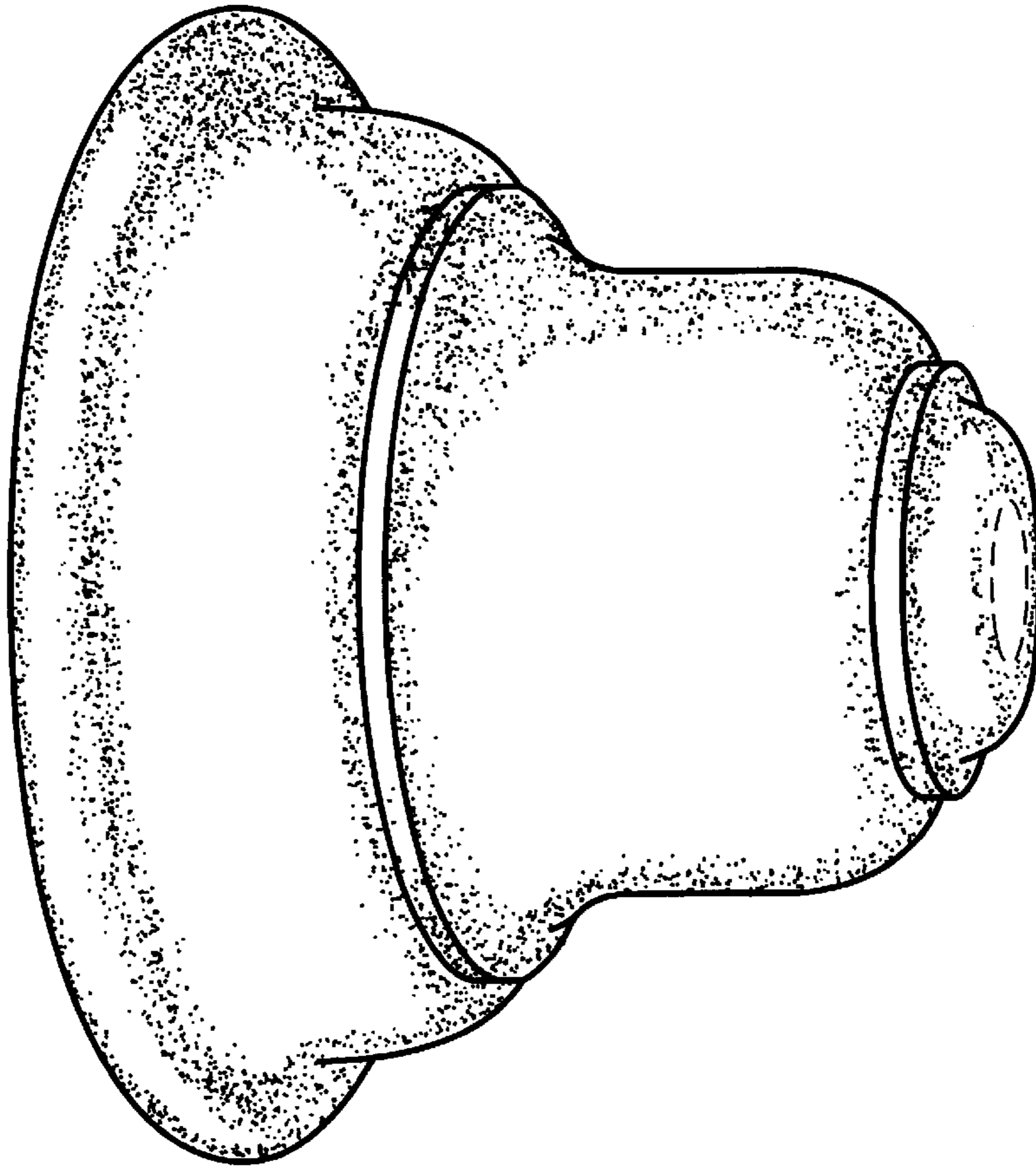


FIG. 2

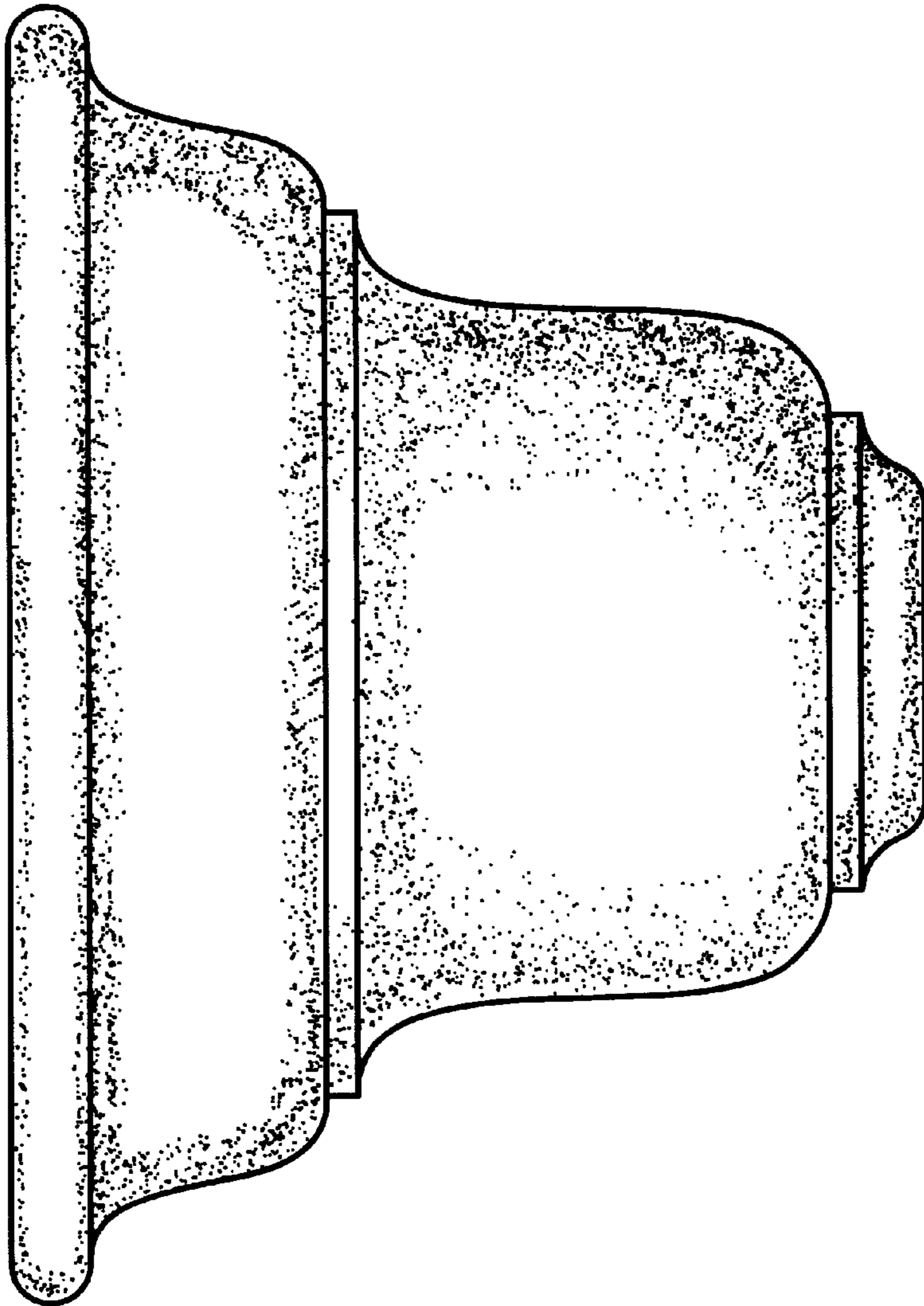


FIG. 3

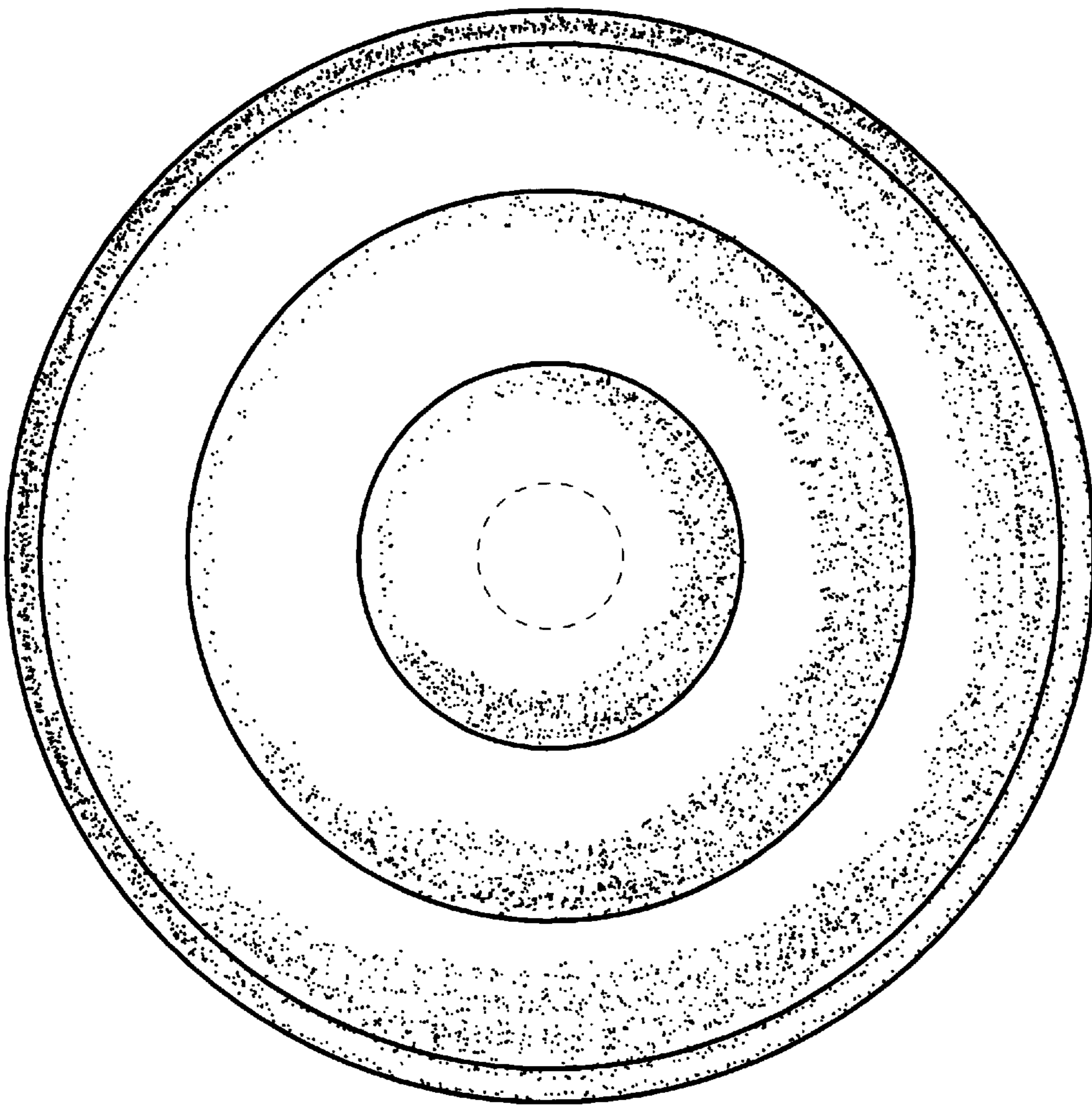


FIG. 4

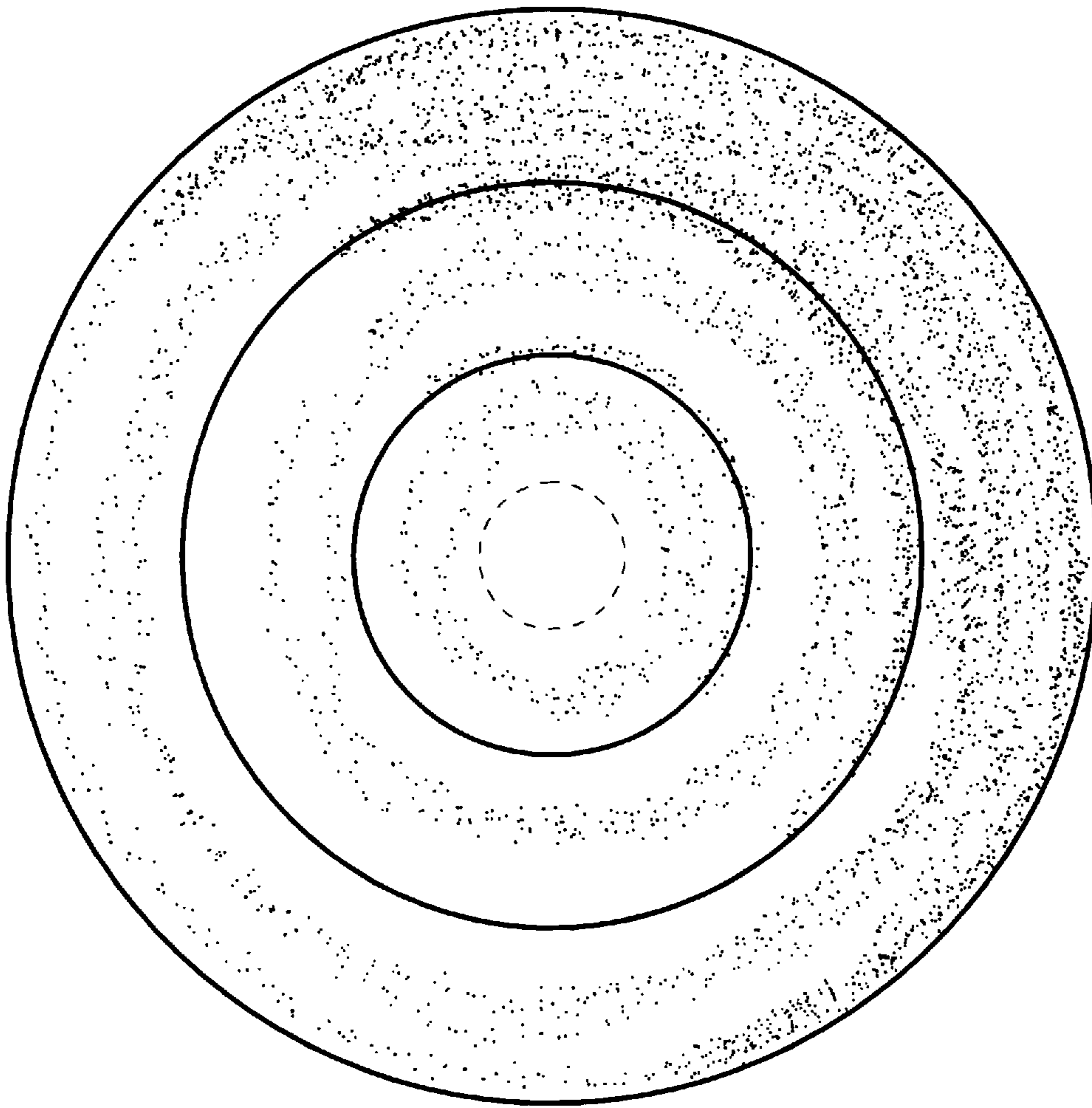


FIG. 5