



US00D429021S

United States Patent [19]
Israel

[11] **Patent Number: Des. 429,021**

[45] **Date of Patent: ** Aug. 1, 2000**

[54] **TABLE LAMP**

[75] Inventor: **Gary Israel**, Andover, Kans.

[73] Assignee: **The Coleman Comapny, Inc.**, Wichita, Kans.

[**] Term: **14 Years**

[21] Appl. No.: **29/108,915**

[22] Filed: **Aug. 5, 1999**

[51] **LOC (7) Cl.** **26-03**

[52] **U.S. Cl.** **D26/106**

[58] **Field of Search** D26/93-112; 362/410-414

[56] **References Cited**

PUBLICATIONS

Taiwan Lighting, p. 113, Lamp A, Top Left Side of Page, Feb. 1997.

Primary Examiner—Lisa Lichtenstein

Attorney, Agent, or Firm—Kramer Levin Naftalis & Frankel LLP

[57] **CLAIM**

The ornamental design for a table lamp, as shown and described.

DESCRIPTION

FIG. 1 is a front perspective view of a table lamp showing my new design;

FIG. 2 is a side elevation view thereof, the opposite side being a mirror image;

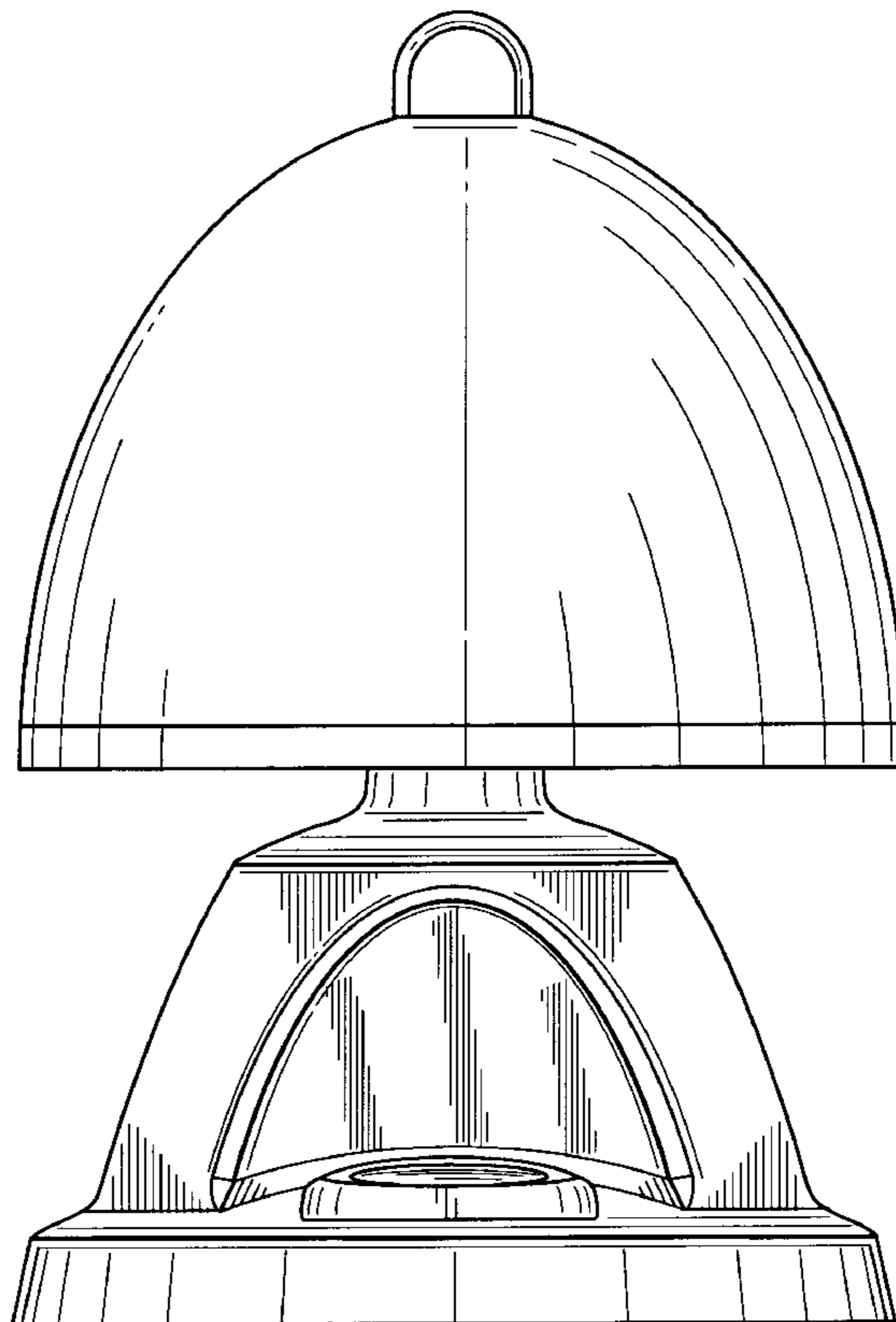
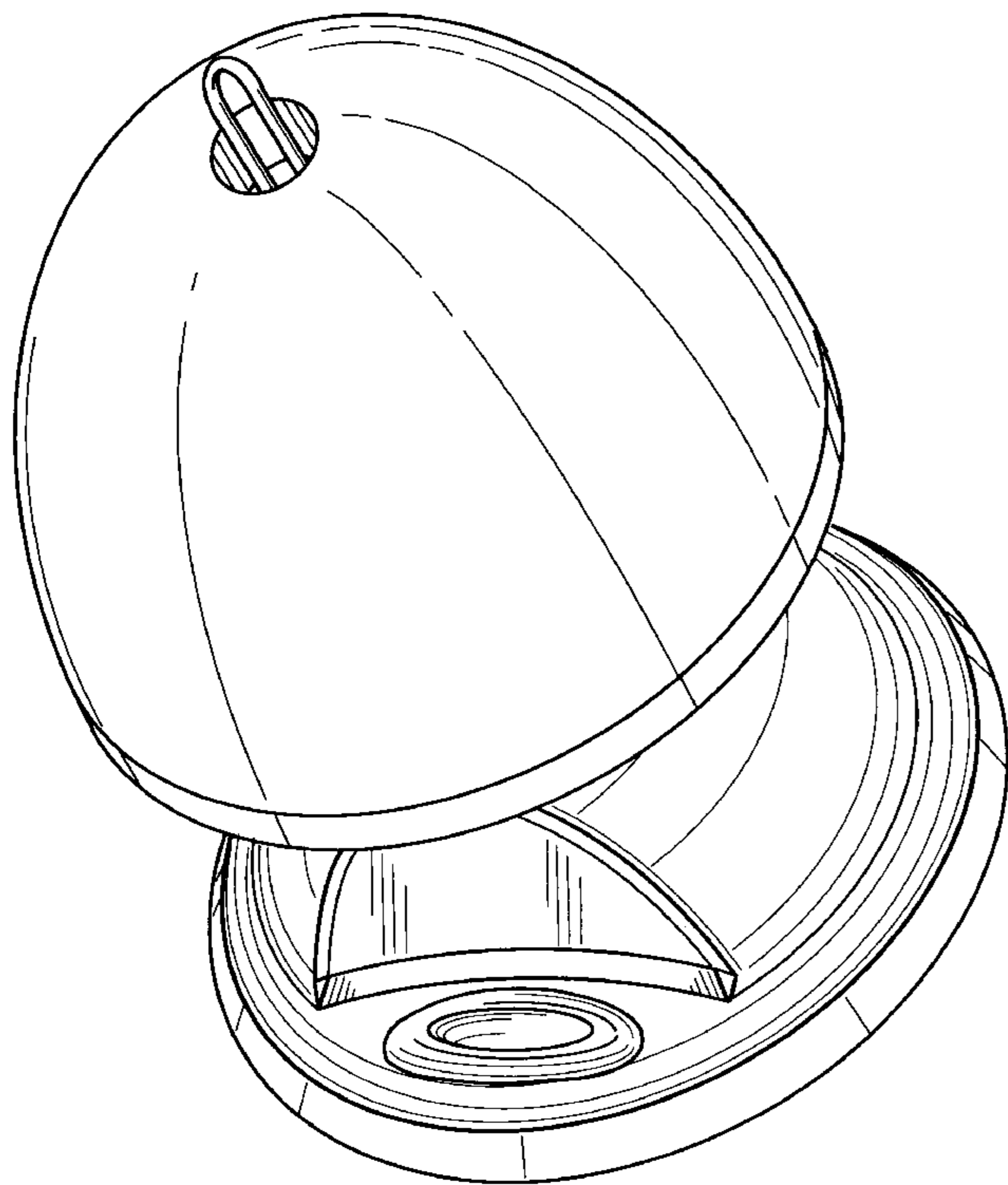
FIG. 3 is a top plan view thereof;

FIG. 4 is a bottom plan view thereof;

FIG. 5 is a front elevation view thereof; and,

FIG. 6 is a rear elevation view thereof.

1 Claim, 6 Drawing Sheets



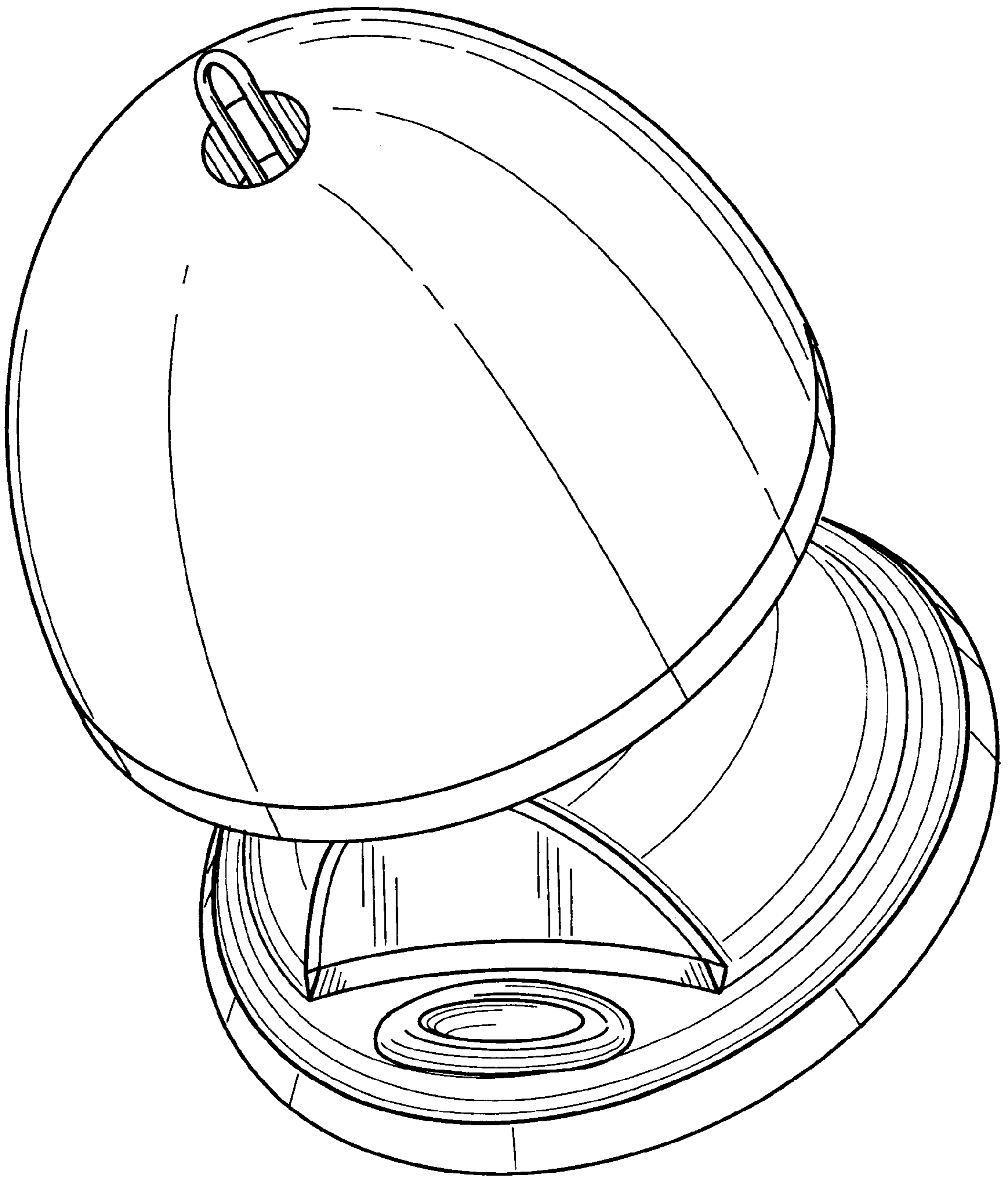


FIG. 1

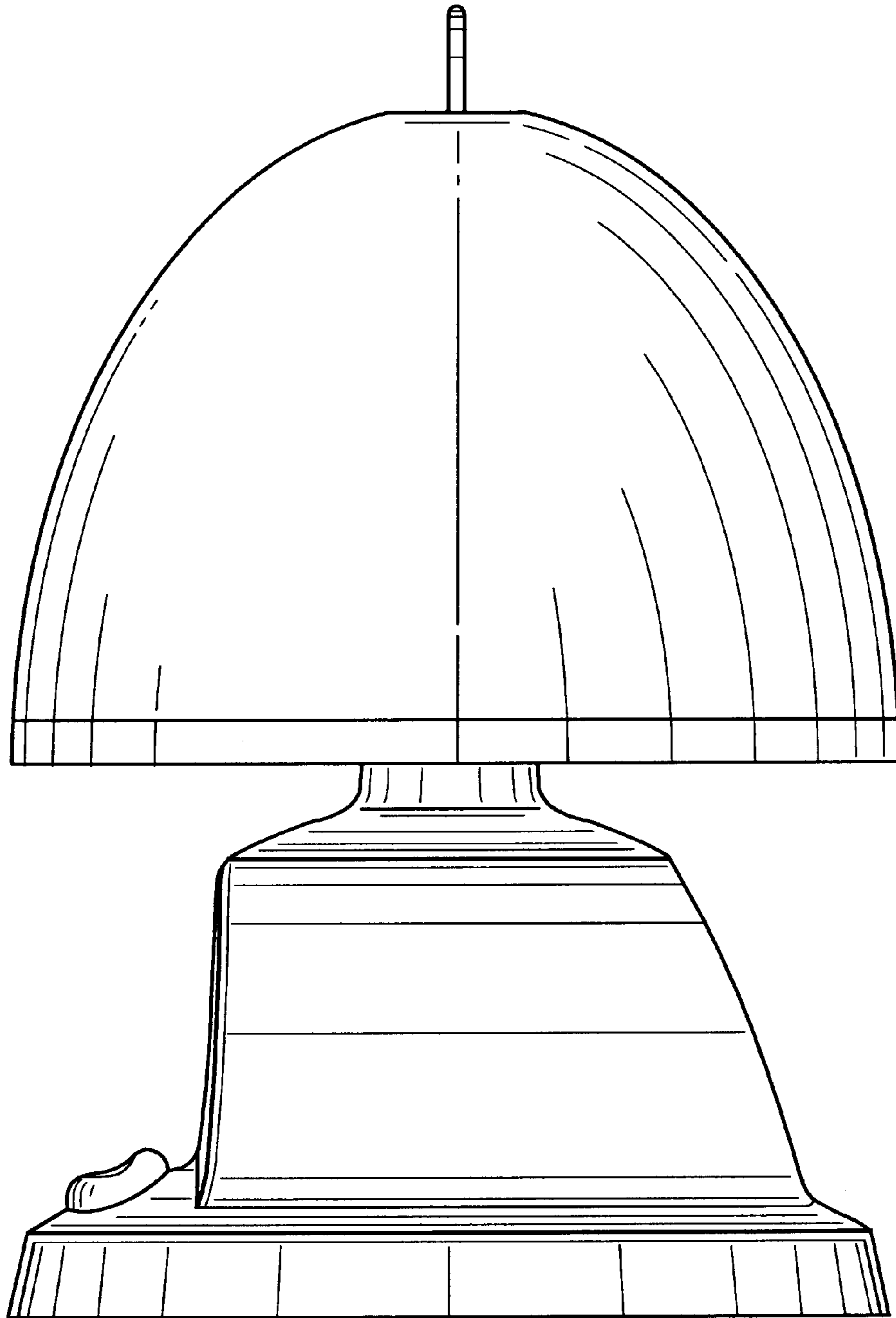


FIG. 2

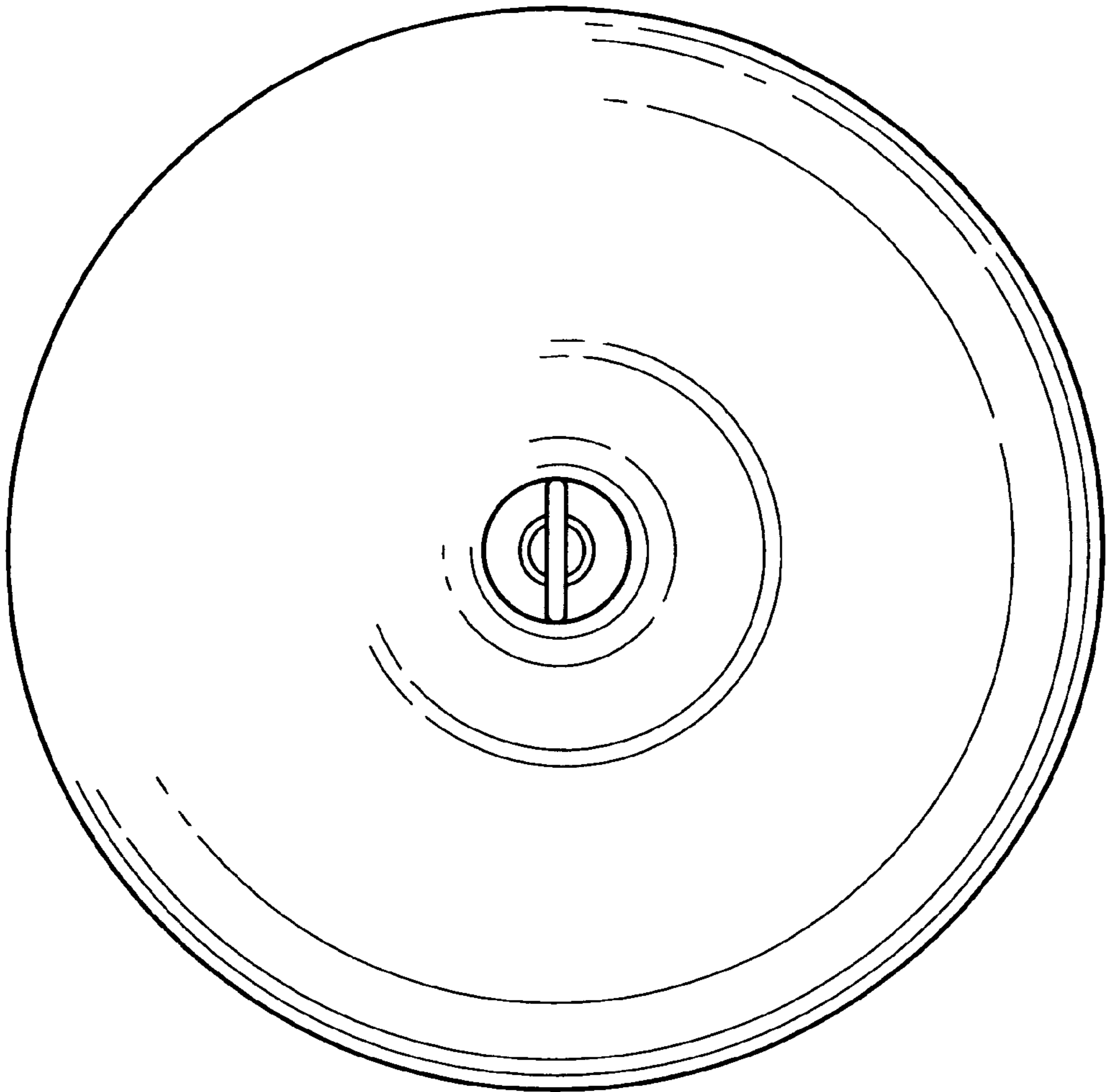


FIG. 3

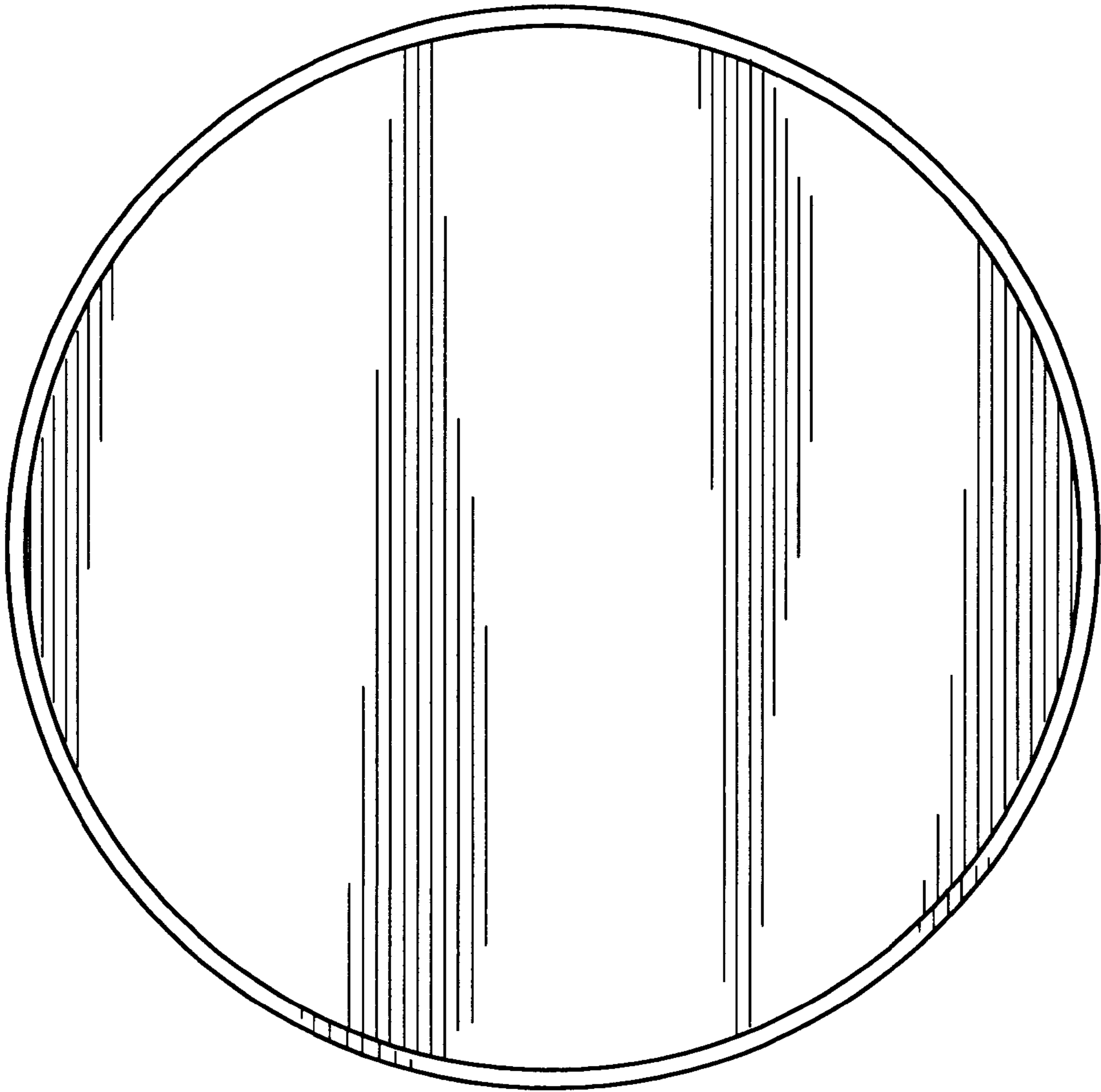


FIG. 4

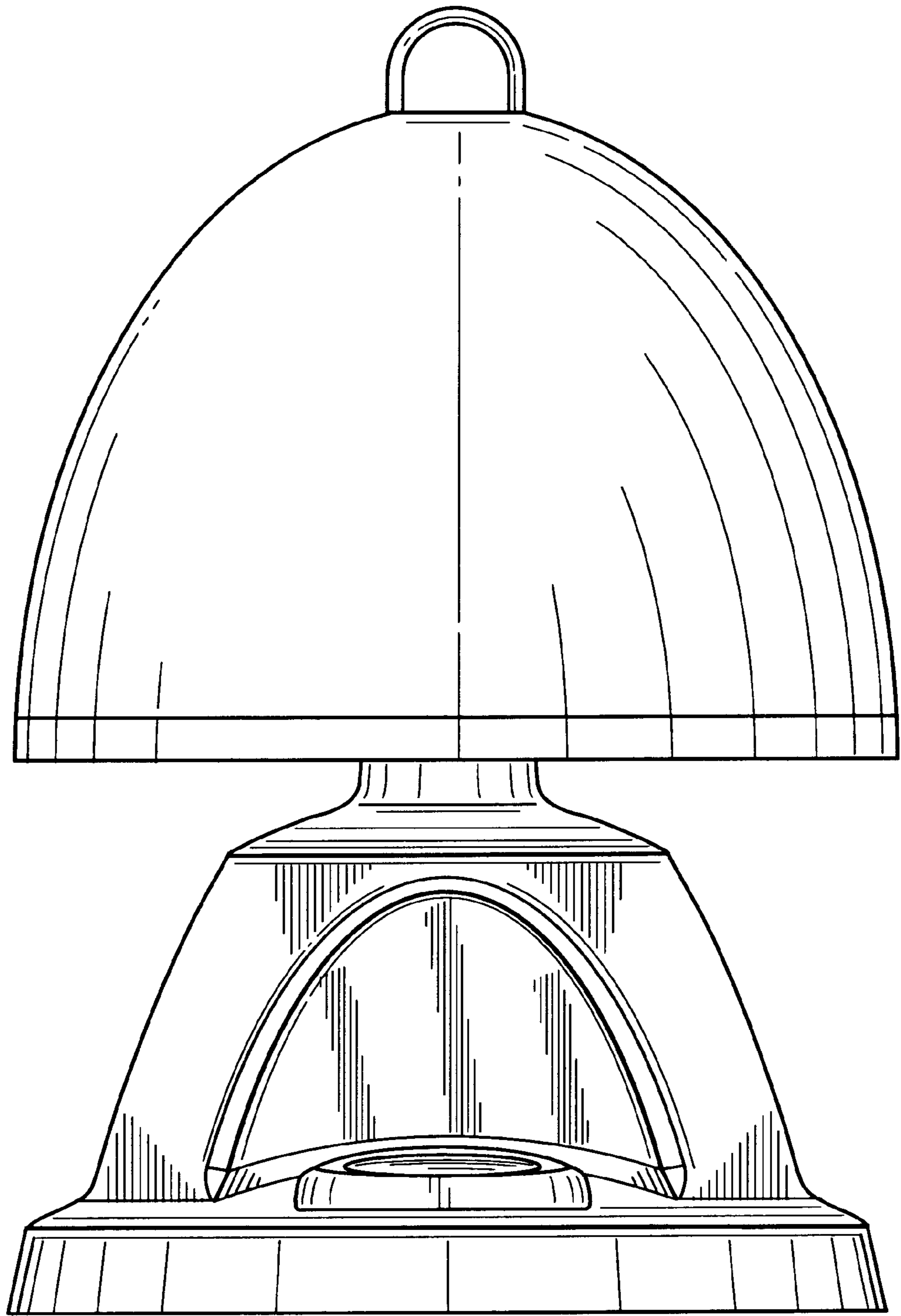


FIG. 5

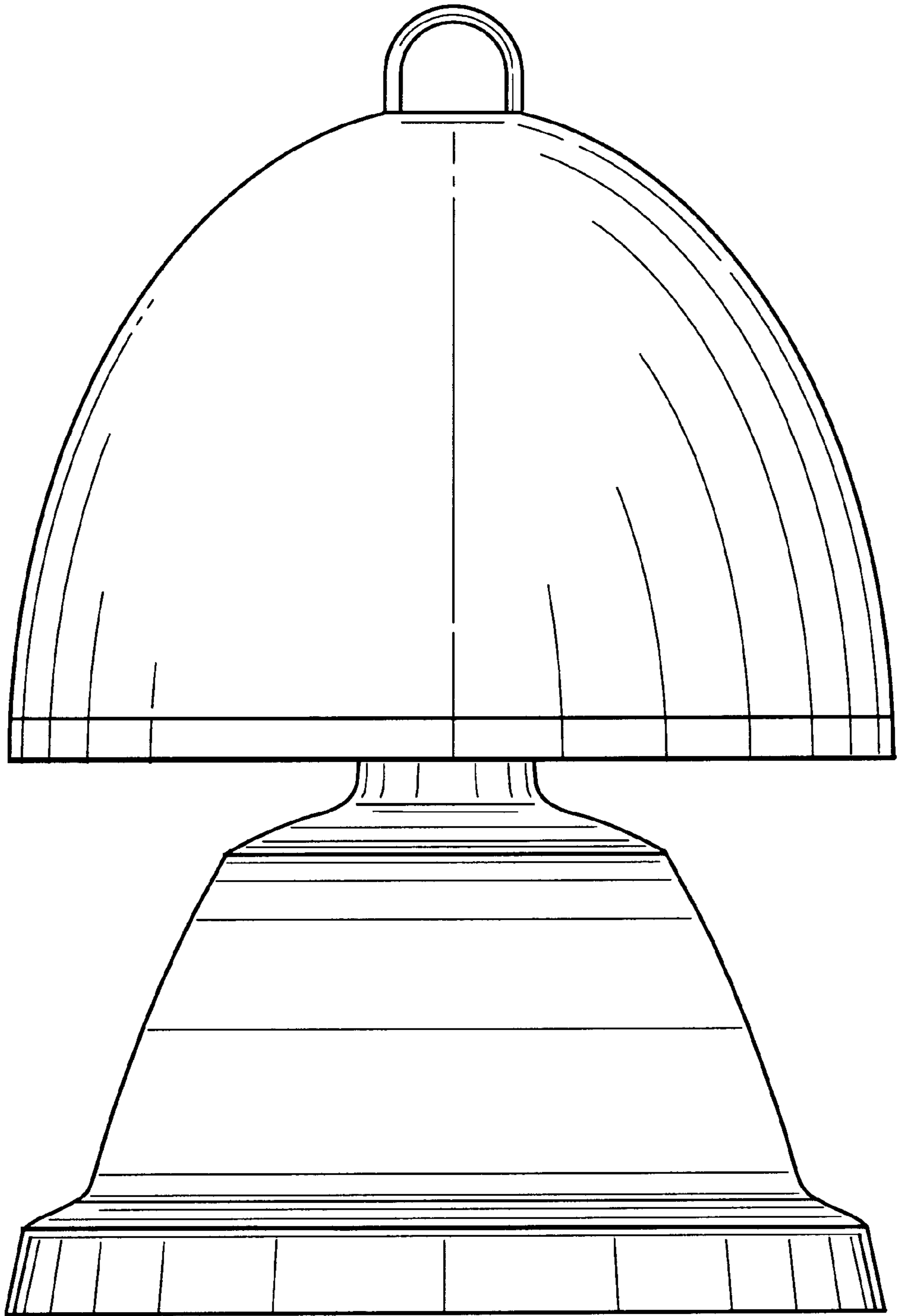


FIG. 6