



US00D429013S

United States Patent [19] Poon

[11] **Patent Number: Des. 429,013**

[45] **Date of Patent: ** Aug. 1, 2000**

[54] **RECHARGEABLE SPOTLIGHT**

[75] Inventor: **Tit Wing Poon**, Shatin, China

[73] Assignee: **Flying Dragon Development Ltd.**,
Shatin, China

[**] Term: **14 Years**

[21] Appl. No.: **29/114,781**

[22] Filed: **Dec. 1, 1999**

[51] **LOC (7) Cl.** **26-02**

[52] **U.S. Cl.** **D26/45**

[58] **Field of Search** D26/37-50; 362/157,
362/158, 183-208

[56] **References Cited**

U.S. PATENT DOCUMENTS

D. 245,282	8/1977	Brinkmann	D26/45
D. 277,414	1/1985	Parker et al.	D26/45
D. 300,470	3/1989	Schmidt et al.	D26/45
D. 301,752	6/1989	Osterhout	D26/45

Primary Examiner—Marcus A. Jackson
Attorney, Agent, or Firm—Alix, Yale & Ristas, LLP

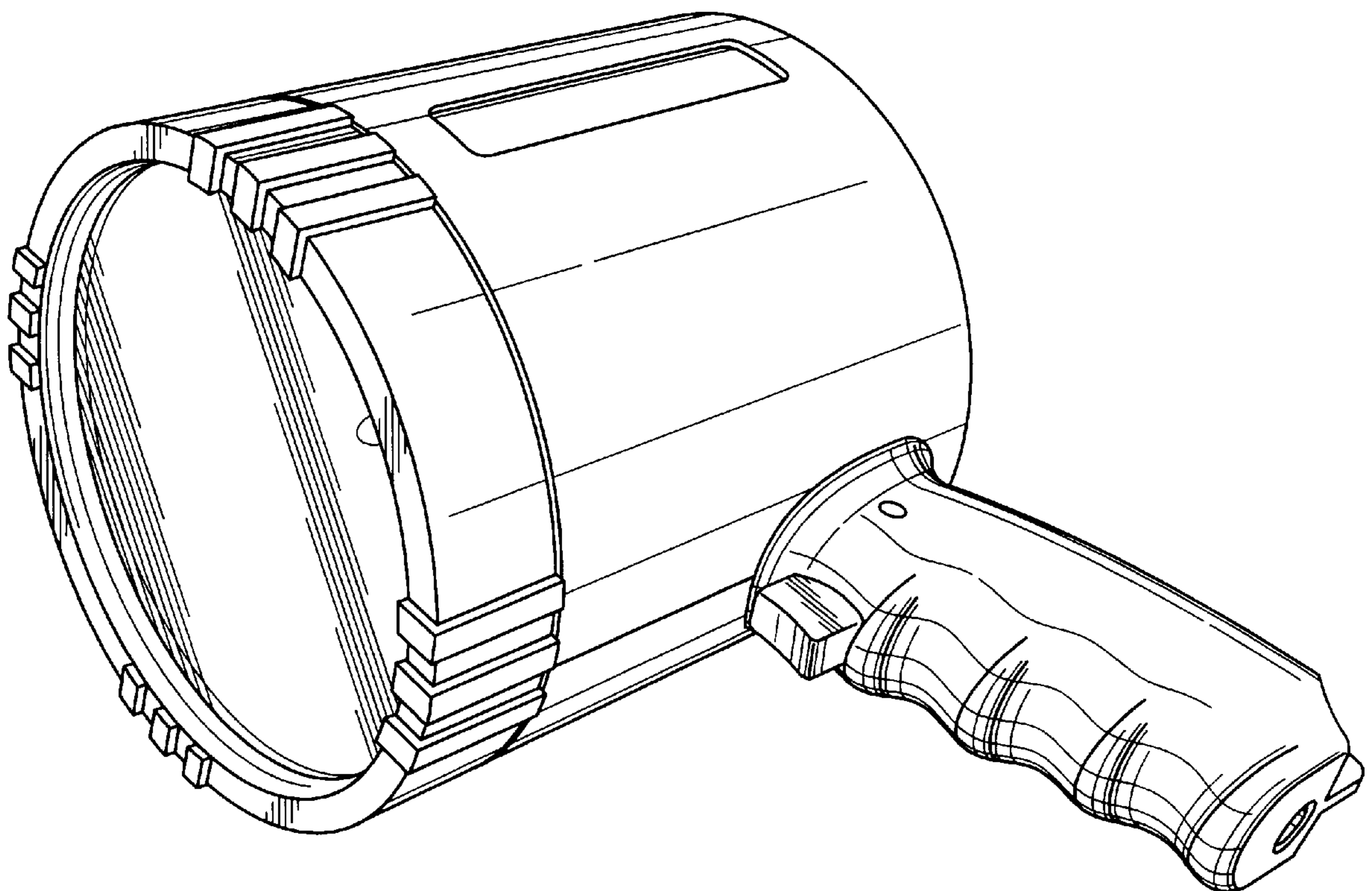
[57] **CLAIM**

The ornamental design for a rechargeable spotlight, as shown and described.

DESCRIPTION

FIG. 1 is a front perspective view of the rechargeable spotlight showing my new design; FIG. 2 is a front view of the rechargeable spotlight of FIG. 1; FIG. 3 is a top plan view of the rechargeable spotlight of FIG. 1; FIG. 4 is a rear view of the rechargeable spotlight of FIG. 1; FIG. 5 is a bottom plan view of the rechargeable spotlight of FIG. 1; FIG. 6 is a left side view of the rechargeable spotlight of FIG. 1; and, FIG. 7 is a right side view of the rechargeable spotlight of FIG. 1.

1 Claim, 4 Drawing Sheets



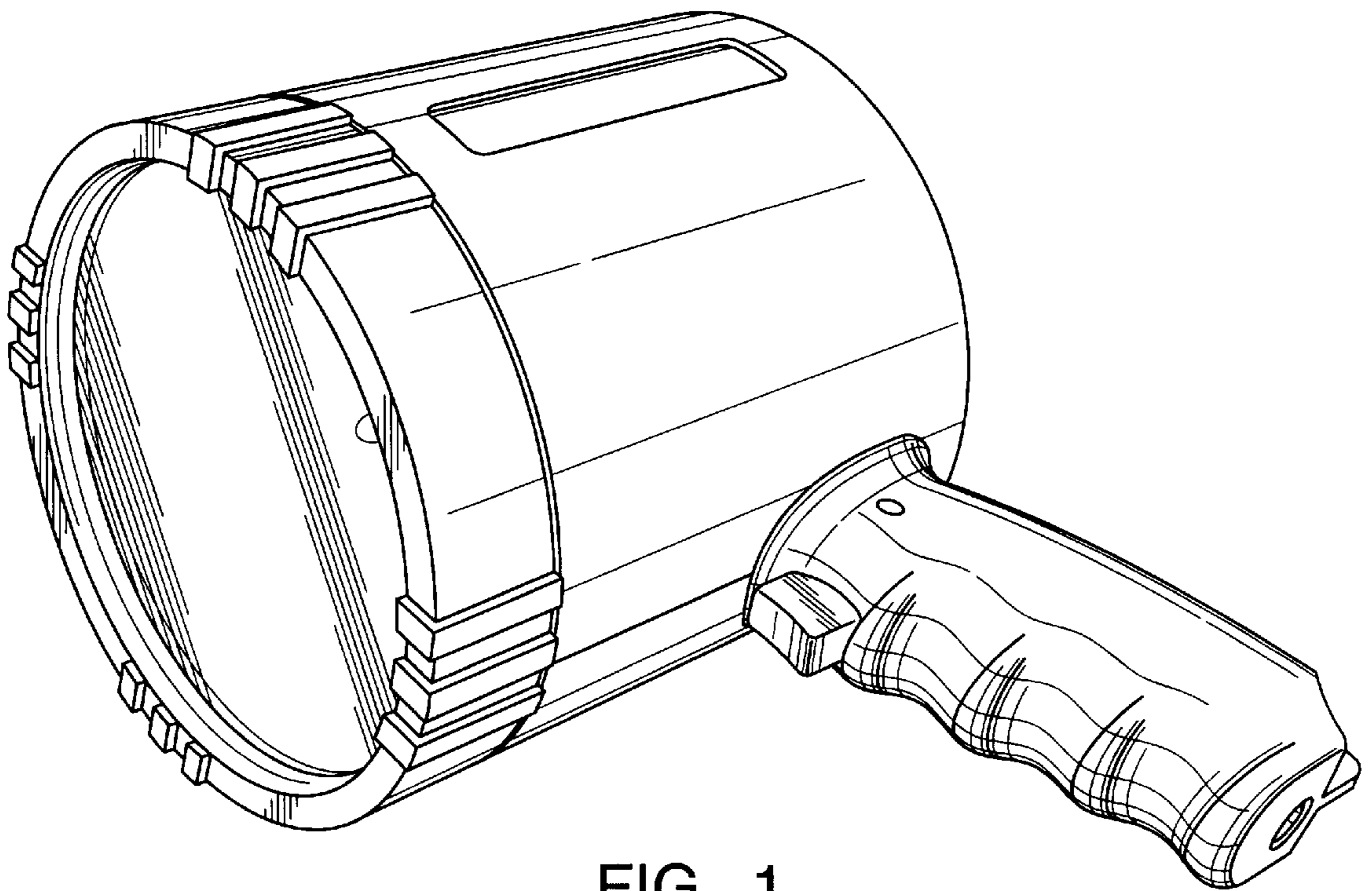


FIG. 1

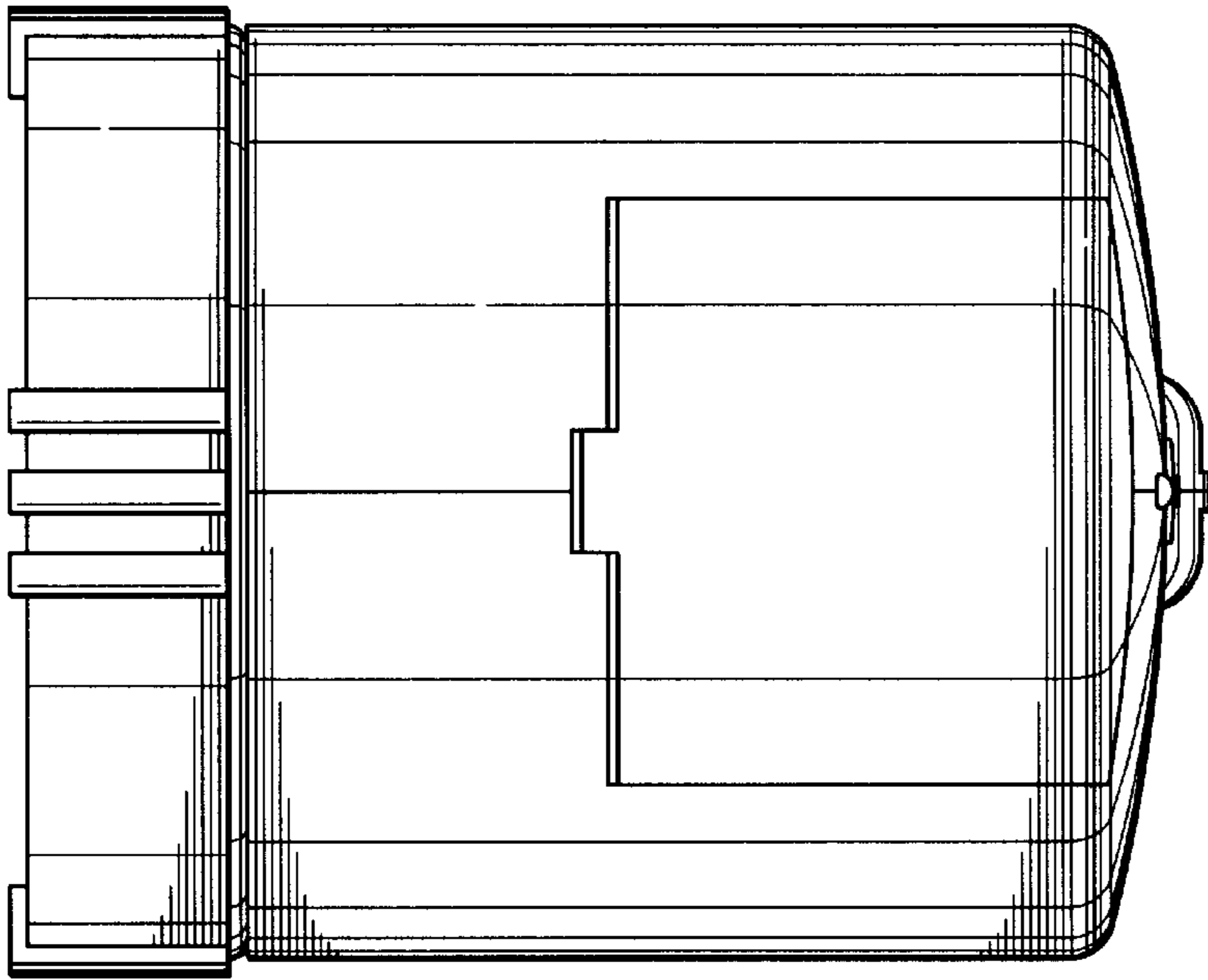


FIG. 3

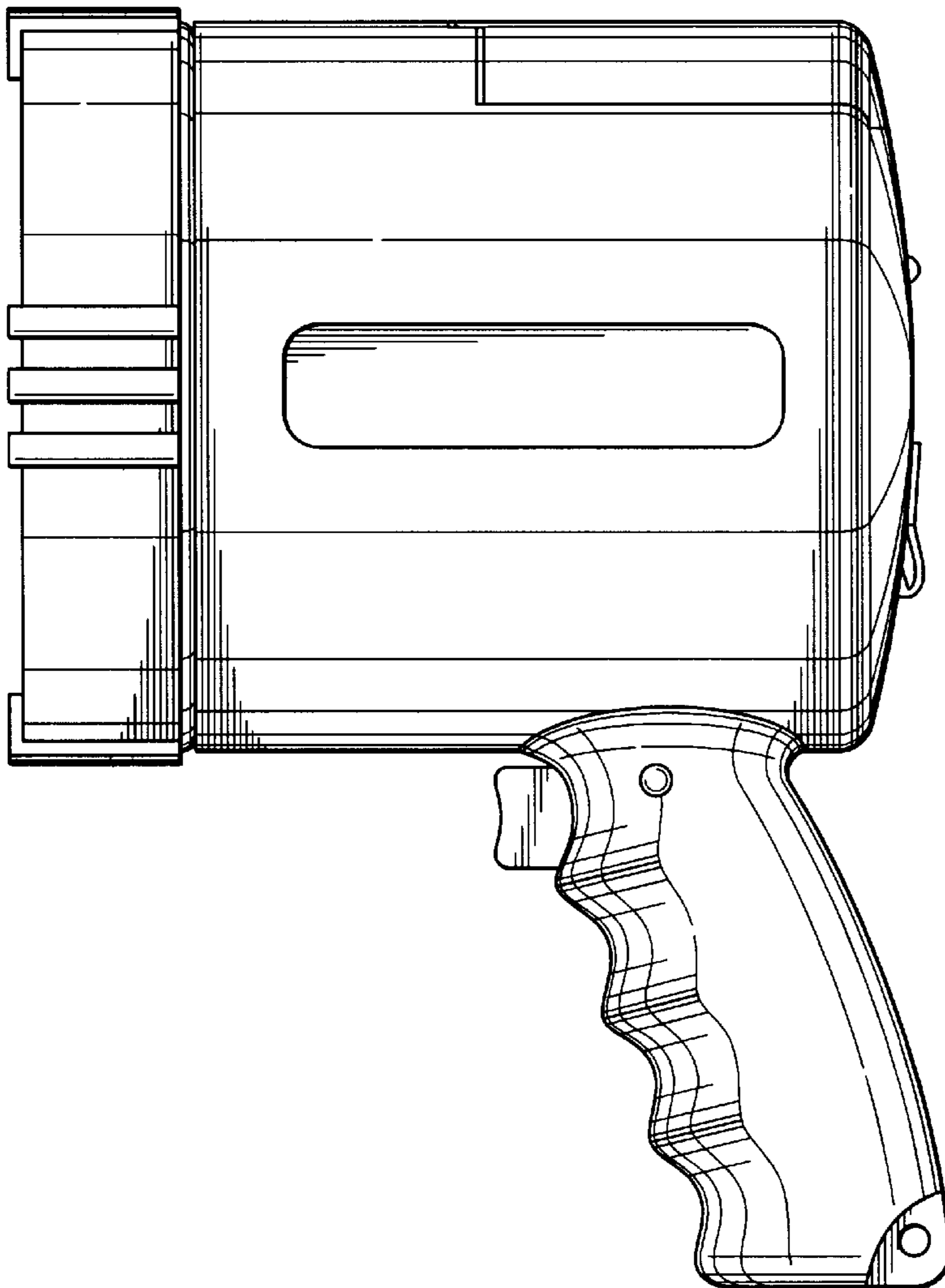


FIG. 2

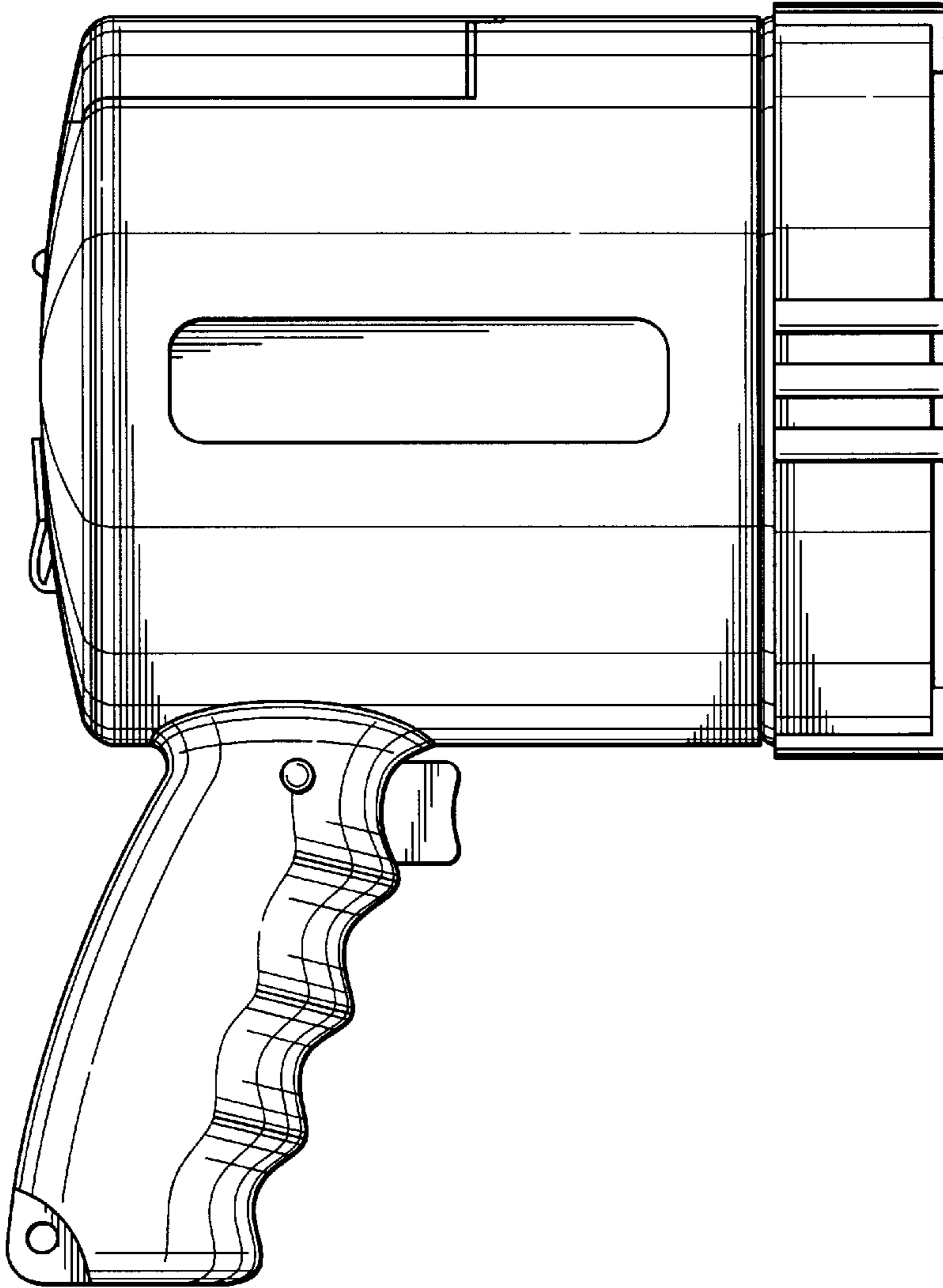


FIG. 4

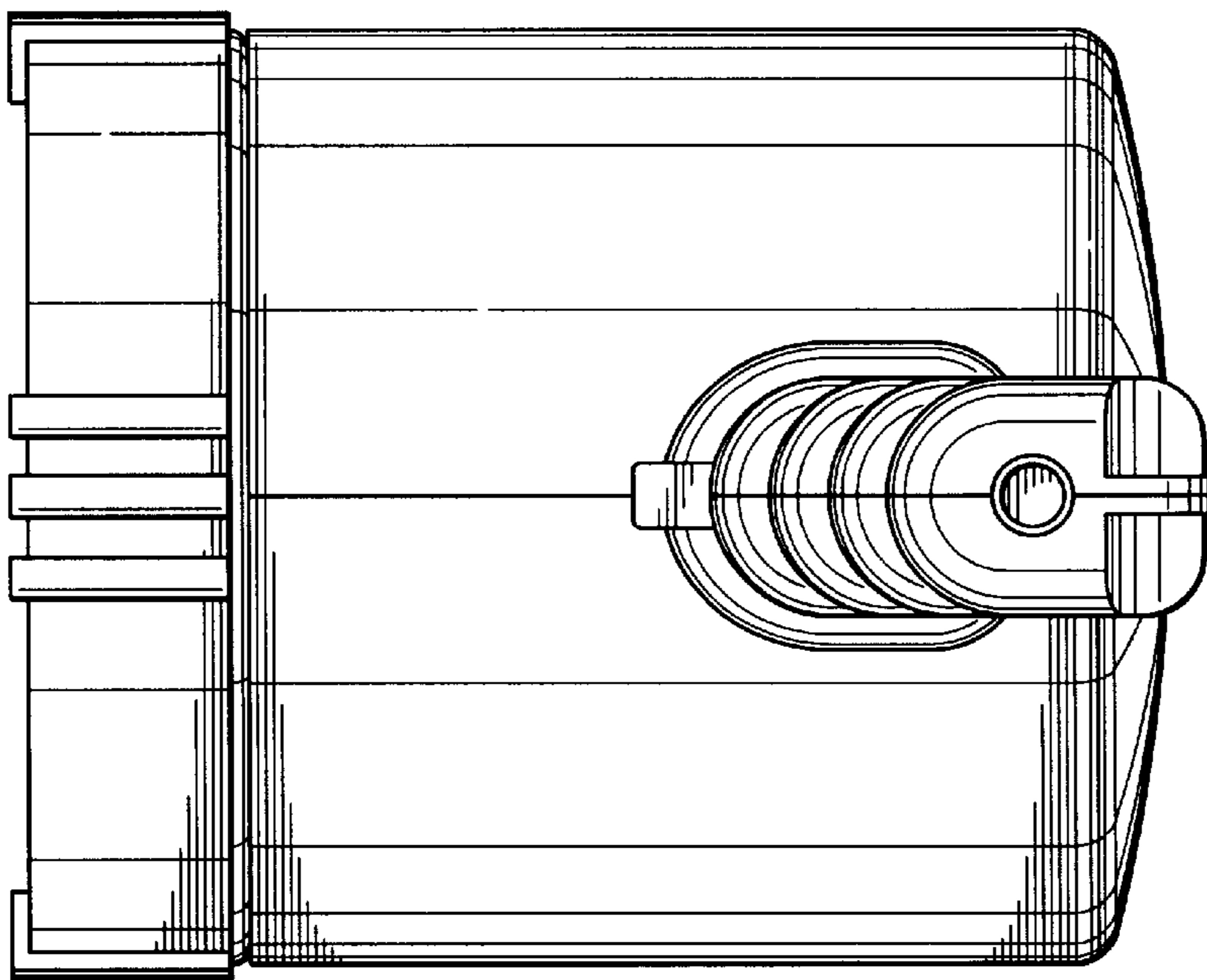


FIG. 5

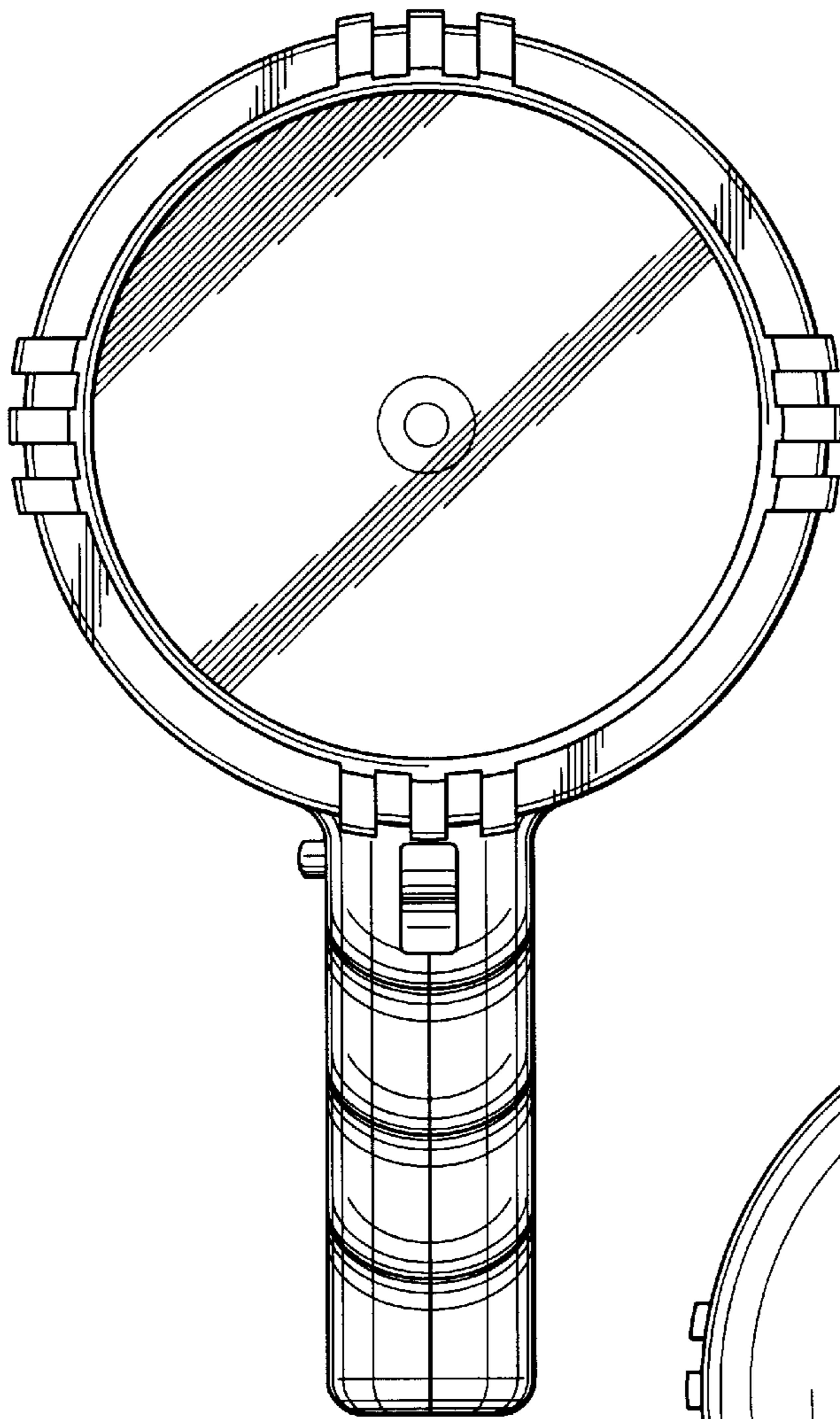


FIG. 6

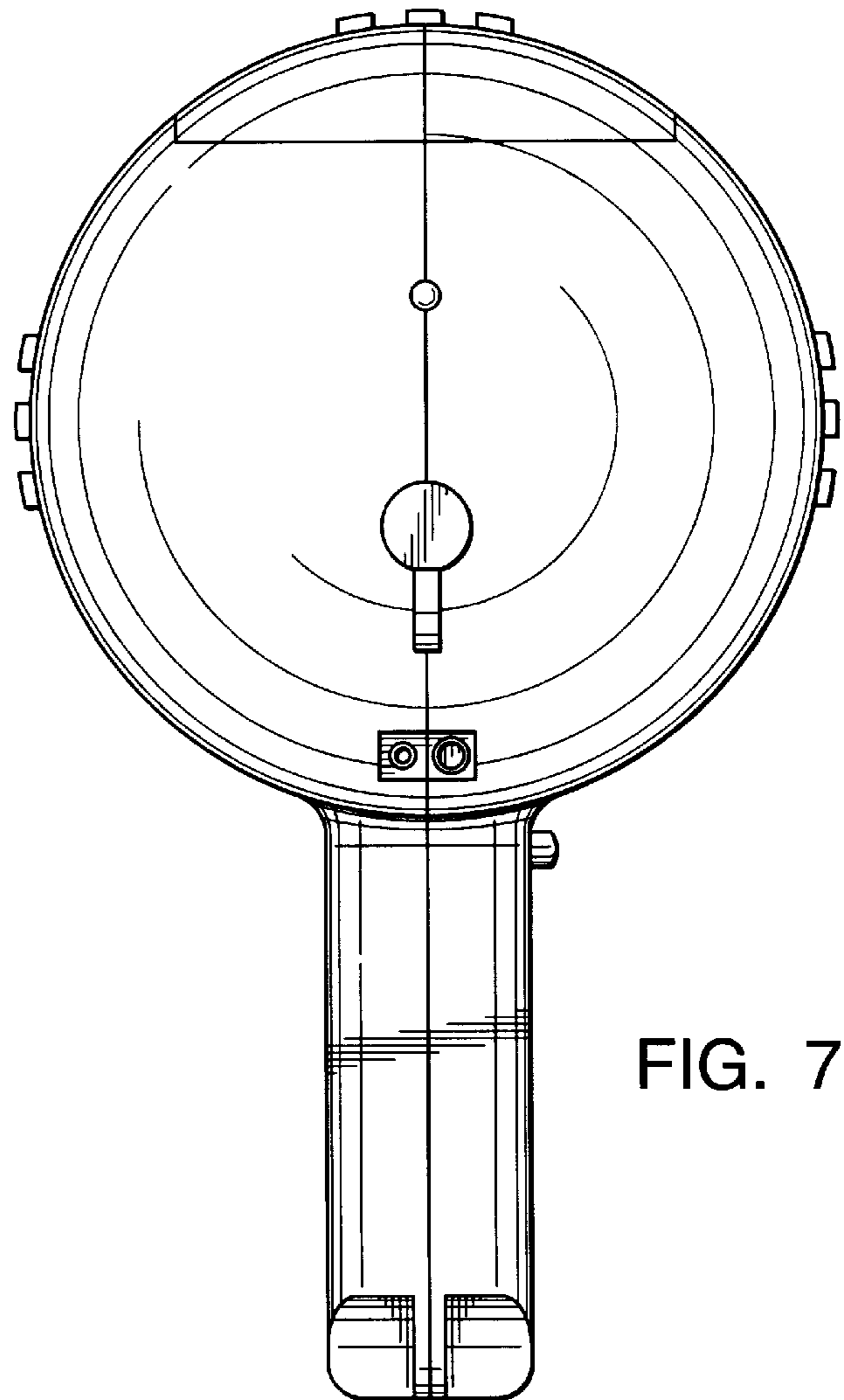


FIG. 7