



US00D429011S

United States Patent [19]
Moore

[11] **Patent Number: Des. 429,011**

[45] **Date of Patent: ** Aug. 1, 2000**

[54] **VEHICLE CLEARANCE LAMP**

DESCRIPTION

[76] Inventor: **Dennis G. Moore**, 2602 Superior,
Livermore, Alameda County, Calif.
94550

[**] Term: **14 Years**

[21] Appl. No.: **29/094,222**

[22] Filed: **Sep. 28, 1998**

[51] **LOC (7) Cl.** **26-06**

[52] **U.S. Cl.** **D26/28**

[58] **Field of Search** D26/28-36; 362/459,
362/485, 487, 493, 496, 498, 499, 507,
512, 516, 520, 540, 541, 542, 543, 546,
549; 340/463, 464, 468, 470, 471, 472

[56] **References Cited**

U.S. PATENT DOCUMENTS

D. 347,903 6/1994 Paffrath D26/35
2,184,208 12/1939 Brown et al. 362/485

Primary Examiner—Susan J. Lucas

Attorney, Agent, or Firm—August E. Roehrig, Jr.; Hancock
& Estabrook, LLP

[57] **CLAIM**

The ornamental design for a vehicle clearance lamp, as
shown and described.

FIG. 1 is a front perspective view of the vehicle clearance
lamp of my invention;

FIG. 2 is a front elevational view of the vehicle clearance
lamp illustrated in FIG. 1 with the rear elevational view
being a mirror image thereof;

FIG. 3 is an end elevational view of the left side of the
vehicle clearance lamp, the right side being a mirror image
thereof;

FIG. 4 is a top plan view of the vehicle clearance lamp
illustrated in FIG. 1;

FIG. 5 is a bottom plan view of the vehicle clearance lamp
illustrated in FIG. 1;

FIG. 6 is a front perspective view of a first alternative
embodiment of the vehicle clearance lamp of my invention;

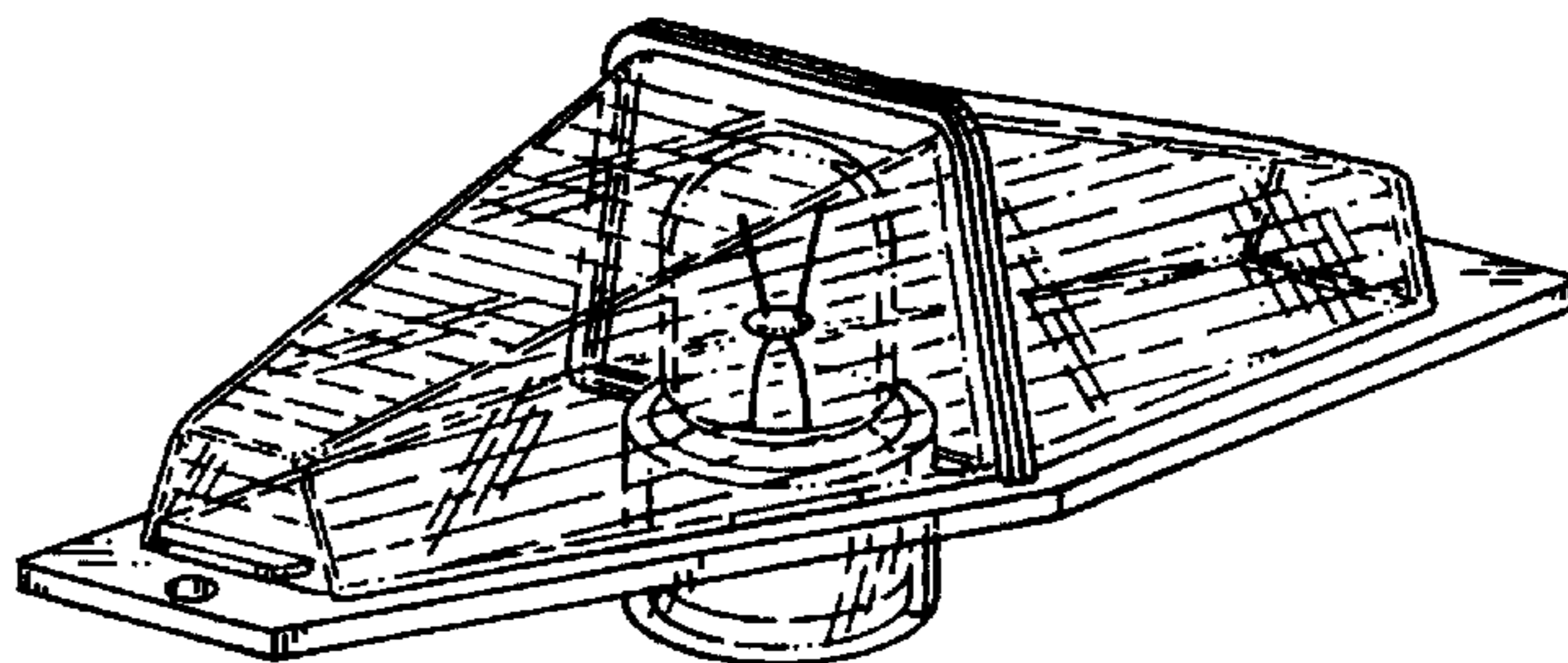
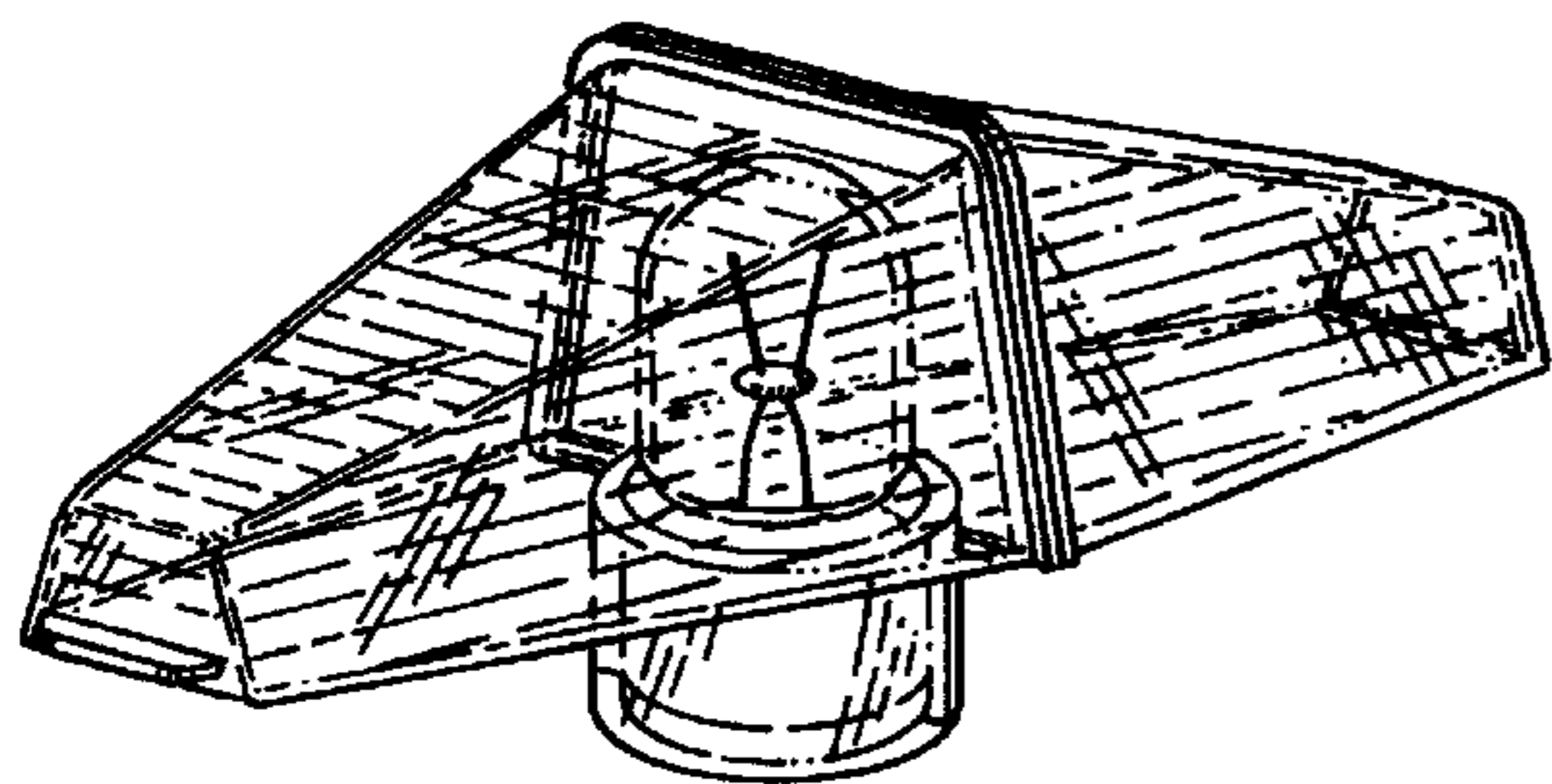
FIG. 7 is a front elevational view of the embodiment of the
vehicle clearance lamp illustrated in FIG. 6, the rear eleva-
tional view of the vehicle clearance lamp being a mirror
image thereof;

FIG. 8 is an end elevational view of the left side of the
vehicle clearance lamp illustrated in FIG. 6, the right side
being a mirror image thereof;

FIG. 9 is a top plan view of the embodiment of my vehicle
clearance lamp illustrated in FIG. 6; and,

FIG. 10 is a bottom plan view of the embodiment of my
vehicle clearance lamp illustrated in FIG. 6.

1 Claim, 2 Drawing Sheets



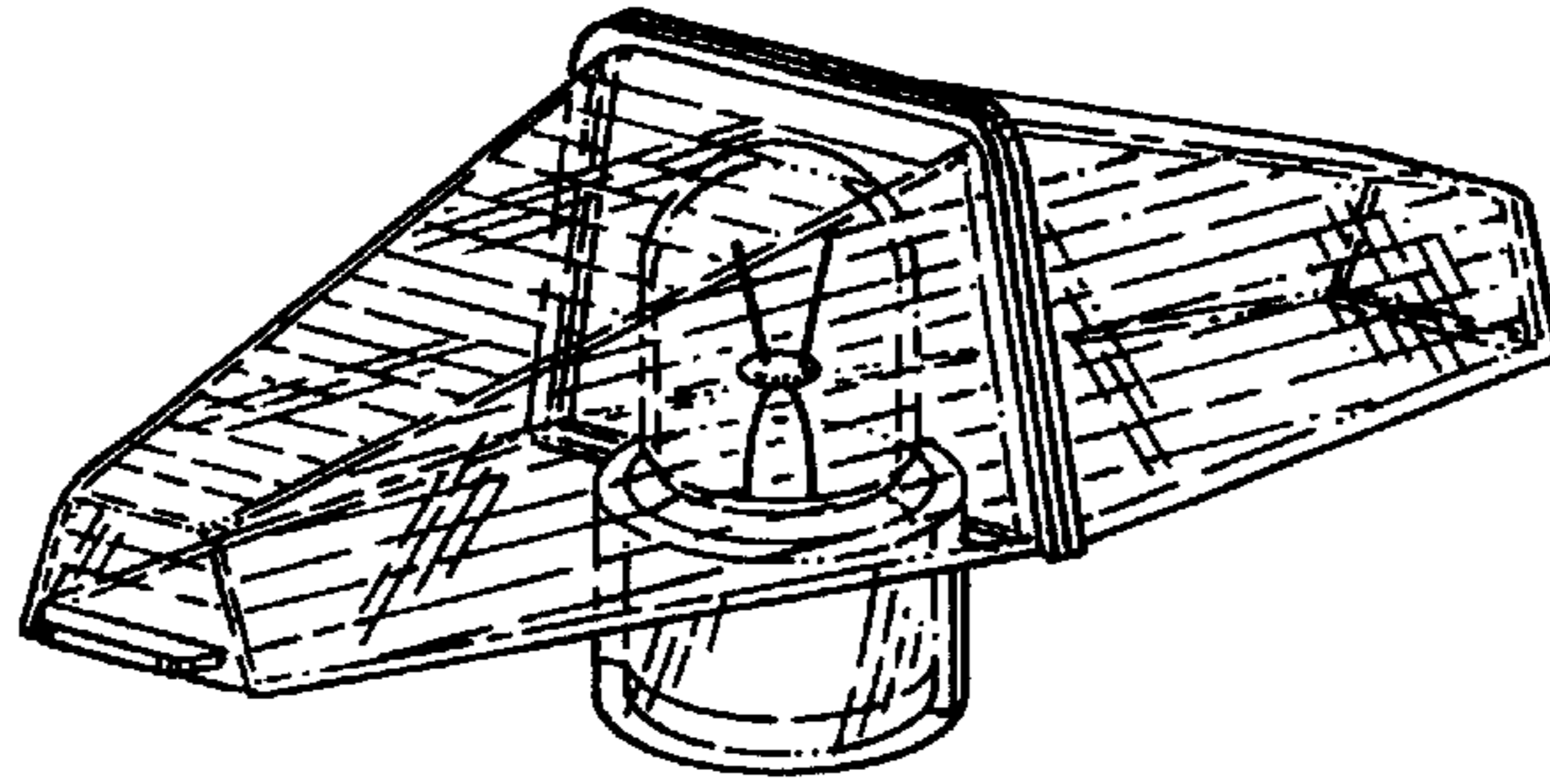


FIG. 1

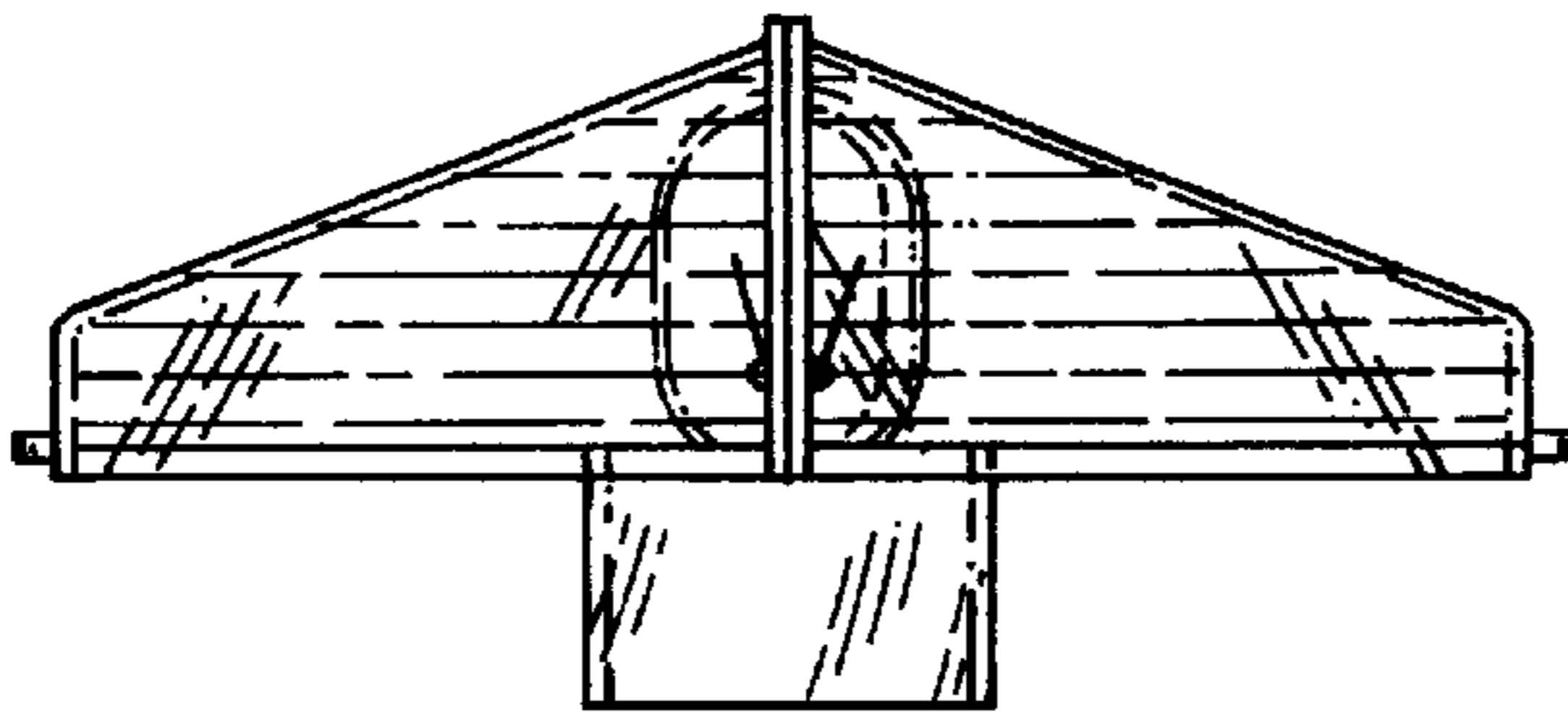


FIG. 2

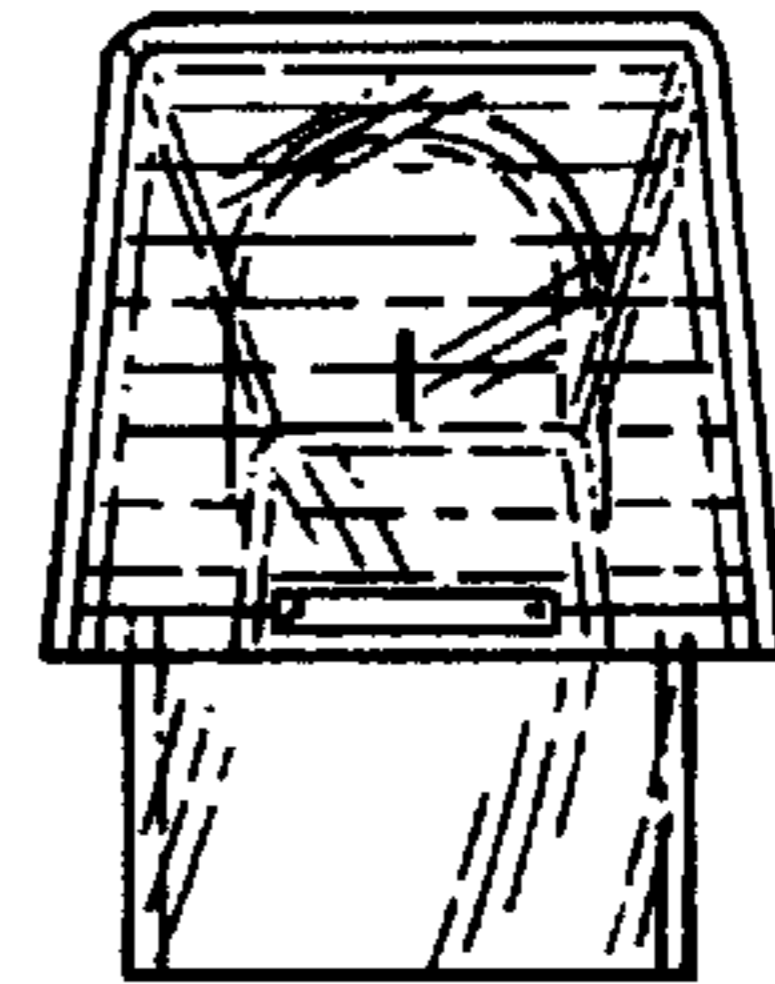


FIG. 3

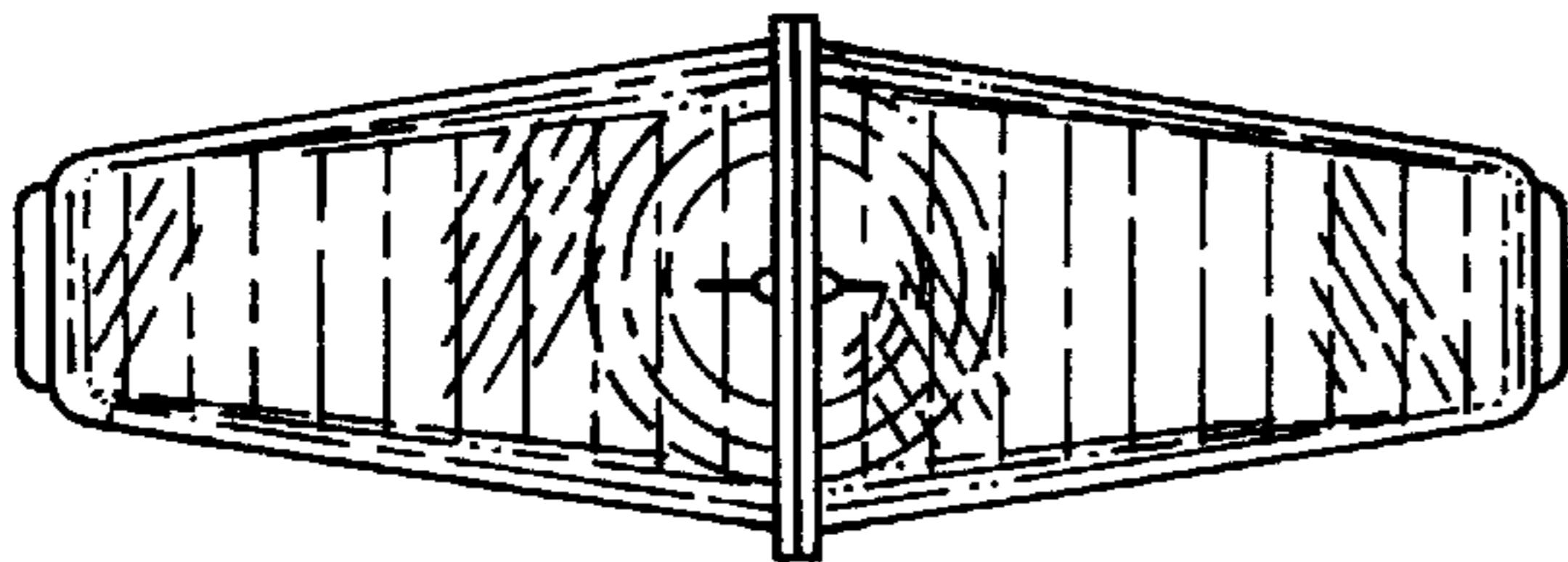


FIG. 4

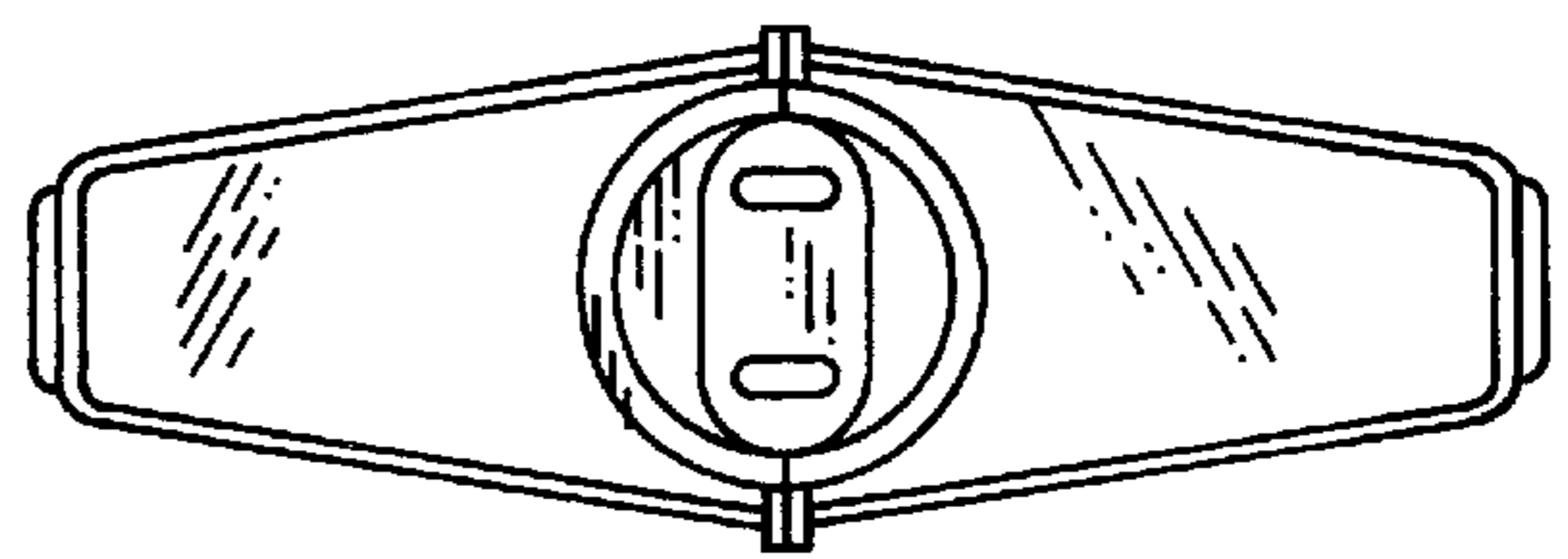


FIG. 5

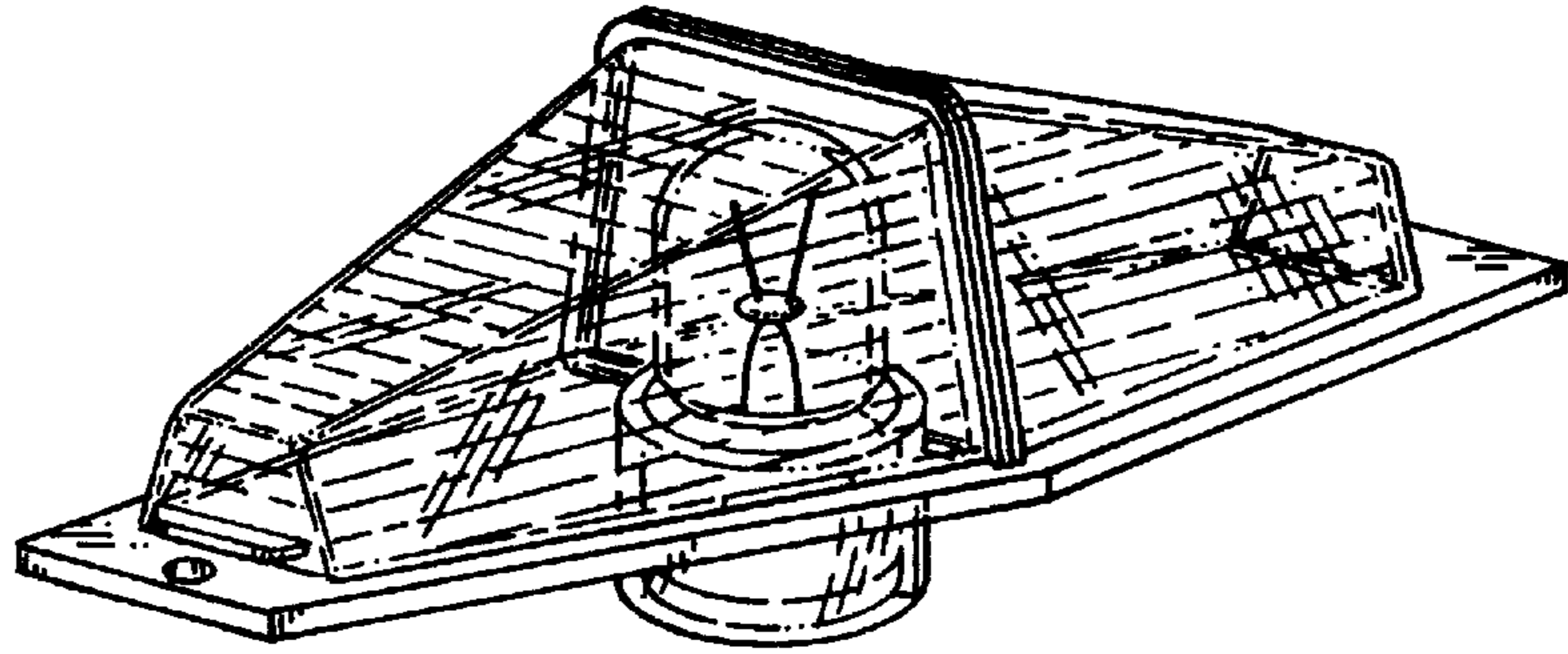


FIG. 6

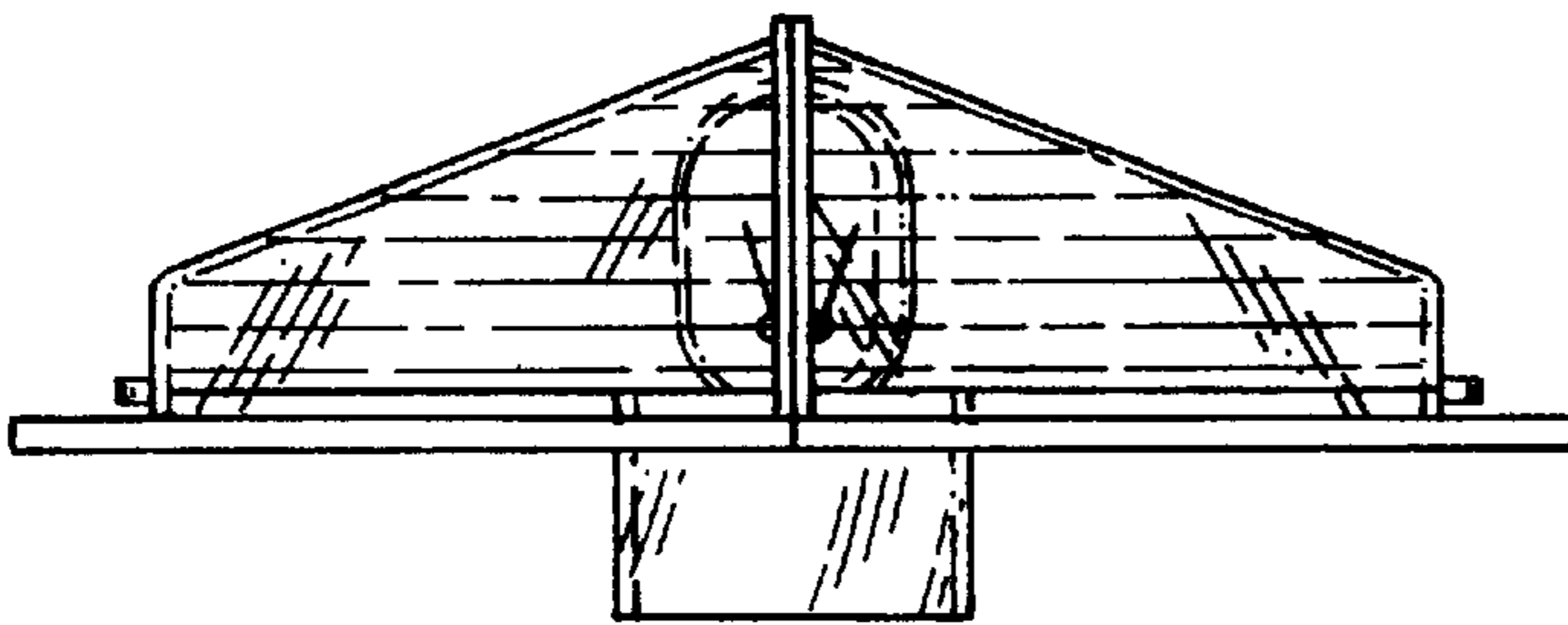


FIG. 7

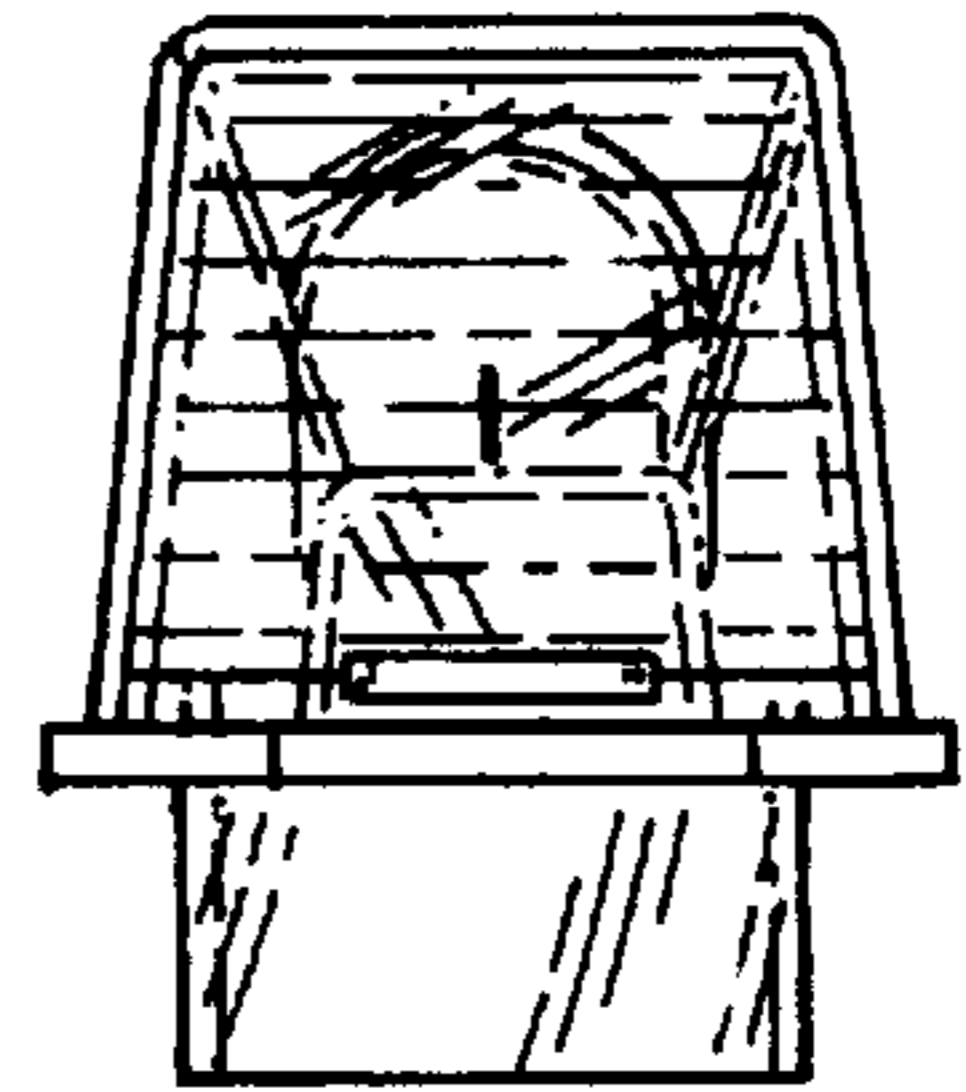


FIG. 8

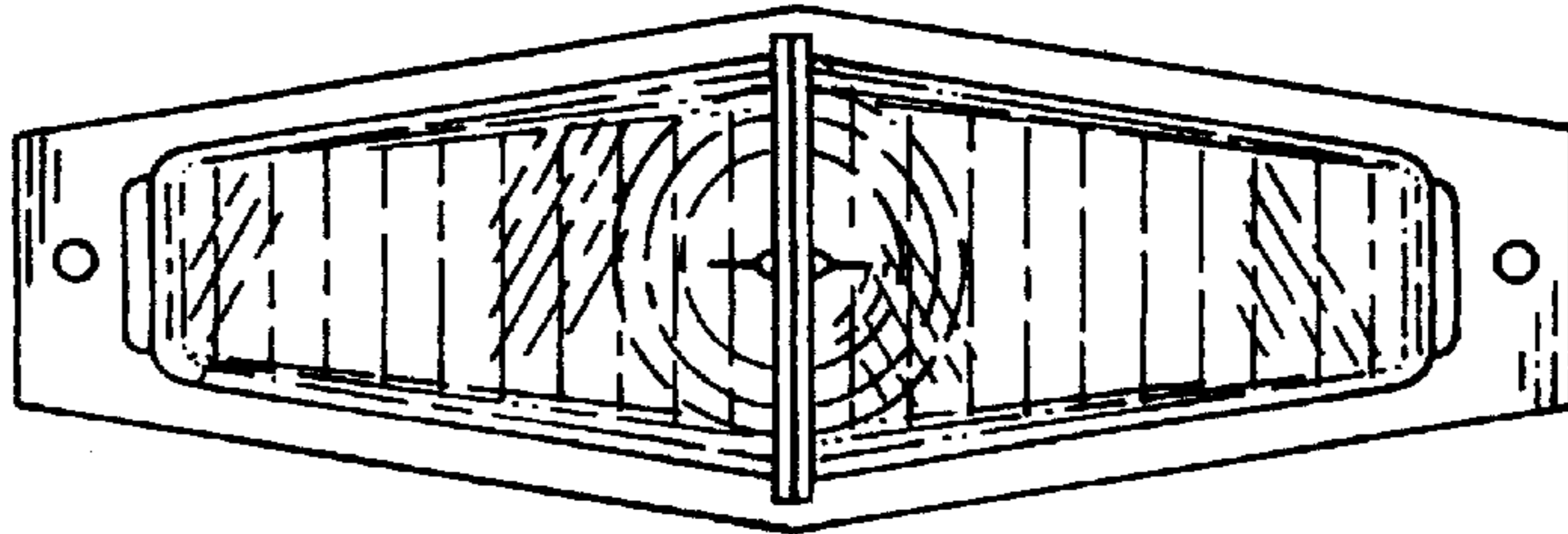


FIG. 9

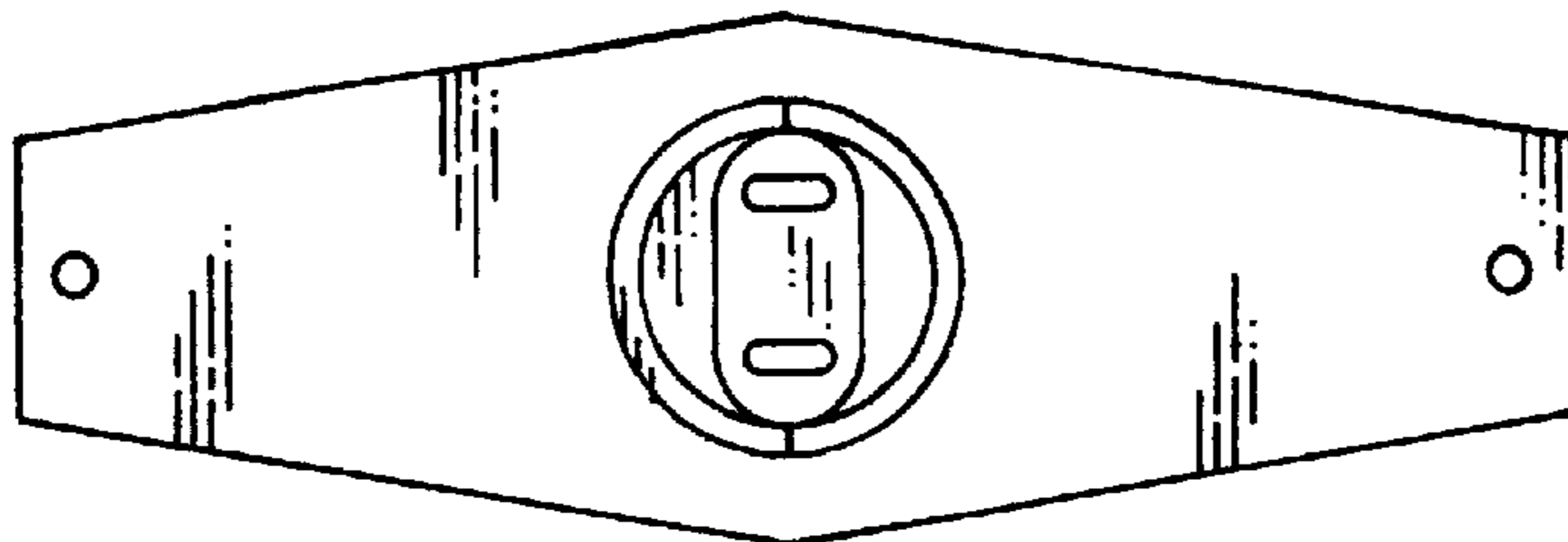


FIG. 10