



US00D429010S

# United States Patent [19]

Ho

[11] **Patent Number: Des. 429,010**

[45] **Date of Patent: \*\* Aug. 1, 2000**

[54] **FLUORESCENT TUBE**

D. 379,673 6/1997 Sangen et al. .... D26/3  
D. 383,224 9/1997 Sangen et al. .... D26/3

[75] **Inventor: Wing Yuk Ho, N.T., The Hong Kong Special Administrative Region of the People's Republic of China**

*Primary Examiner*—Marcus A. Jackson  
*Attorney, Agent, or Firm*—Rabin & Champagne, P.C.

[73] **Assignee: Mei Ah Lighting Industrial Limited, Fotan, The Hong Kong Special Administrative Region of the People's Republic of China**

[57] **CLAIM**

The ornamental design for a fluorescent tube, as shown and described.

[\*\*] **Term: 14 Years**

**DESCRIPTION**

[21] **Appl. No.: 29/112,557**

FIG. 1 is a front view of a fluorescent tube showing my new design;

[22] **Filed: Oct. 20, 1999**

FIG. 2 is a rear view thereof;

[51] **LOC (7) Cl. .... 26-06**

[52] **U.S. Cl. .... D26/3**

FIG. 3 is a top view thereof;

[58] **Field of Search** ..... D26/1, 2, 3, 4,  
D26/26; 313/313, 315, 318, 493; 315/53,  
56, 57, 58

FIG. 4 is a left side view thereof;

FIG. 5 is a right side view thereof; and,

FIG. 6 is a bottom view thereof.

[56] **References Cited**

**U.S. PATENT DOCUMENTS**

D. 334,244 3/1993 Shaffer et al. .... D26/3

**1 Claim, 2 Drawing Sheets**

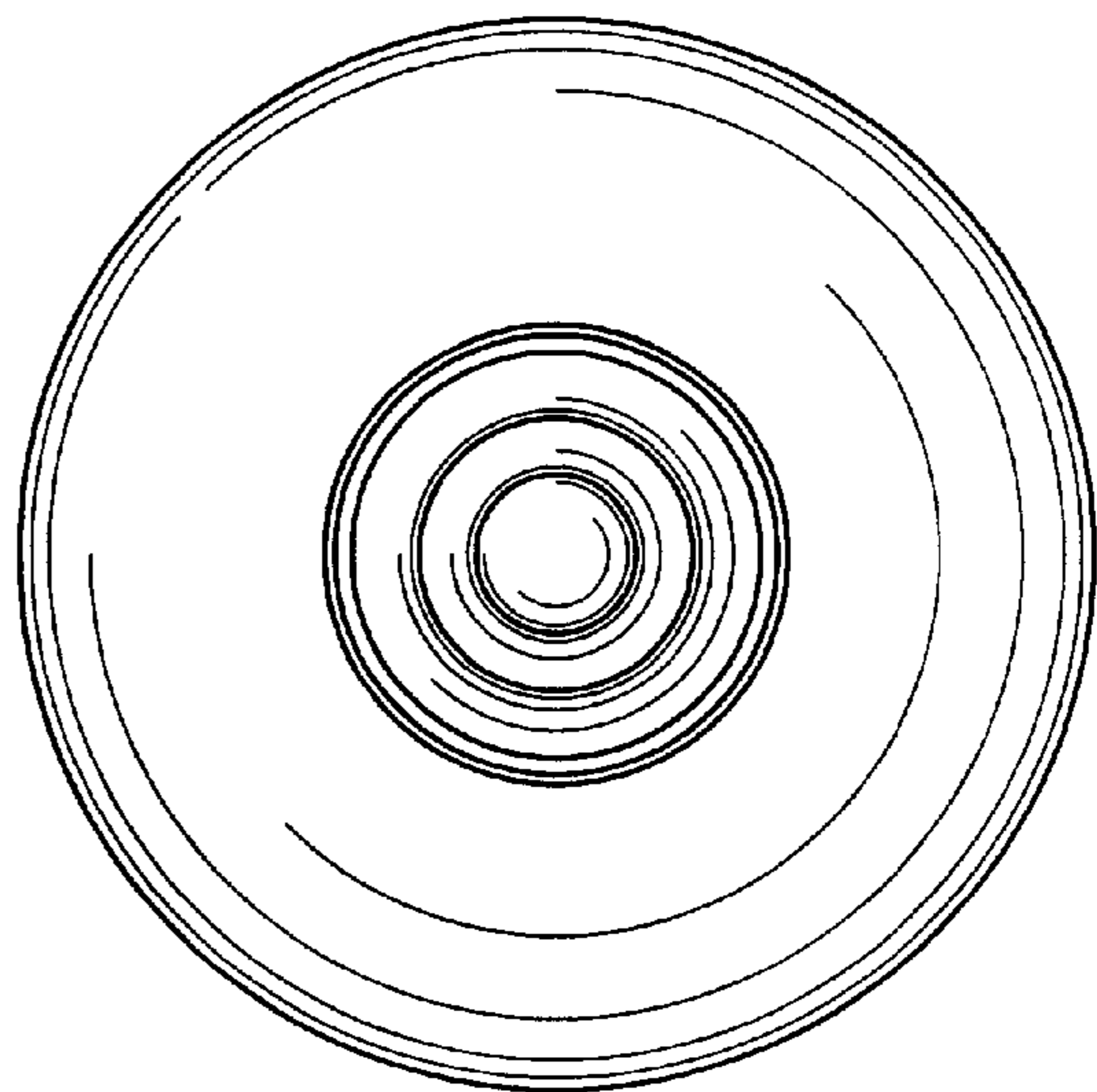
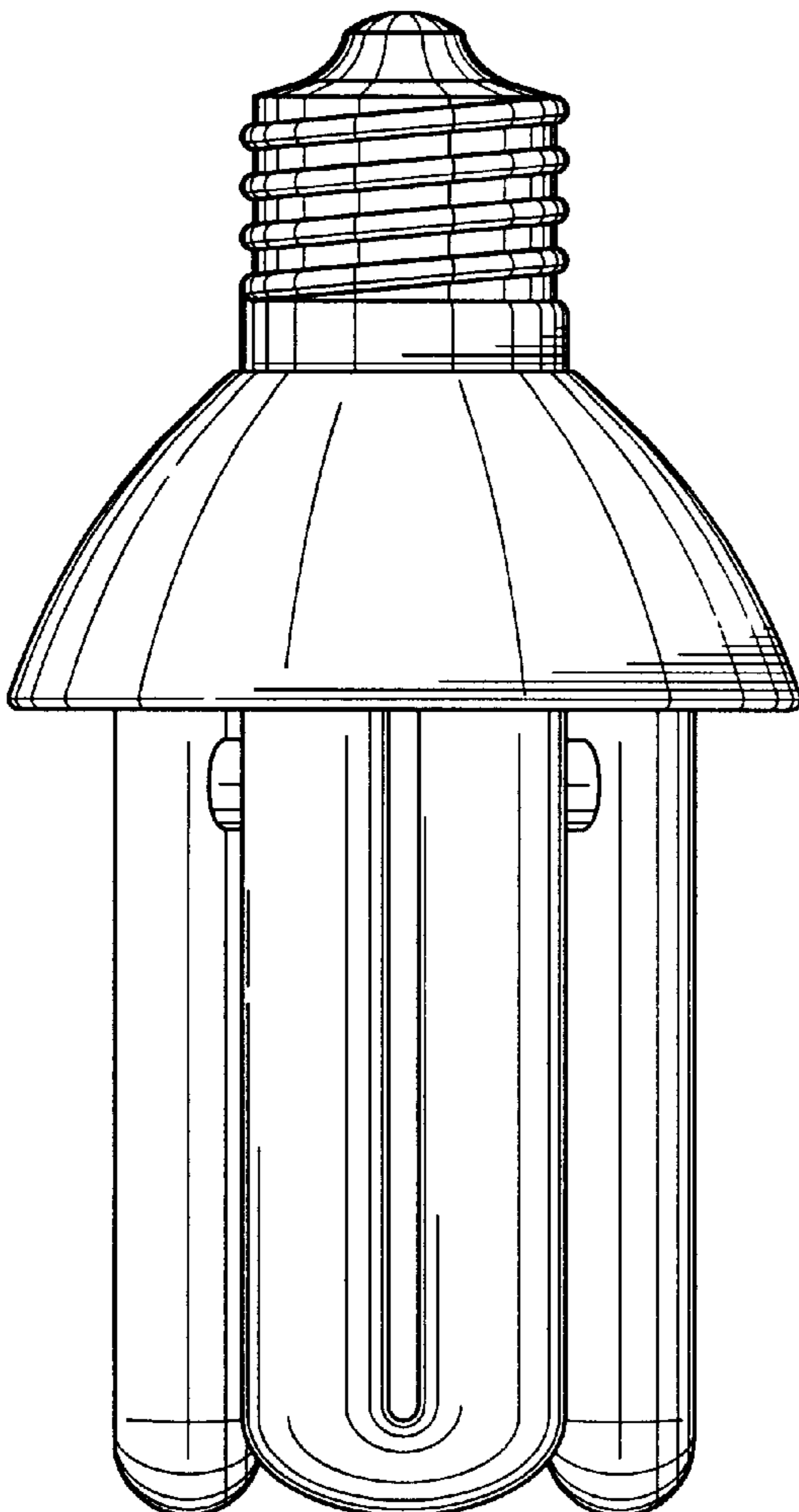


FIG. 3

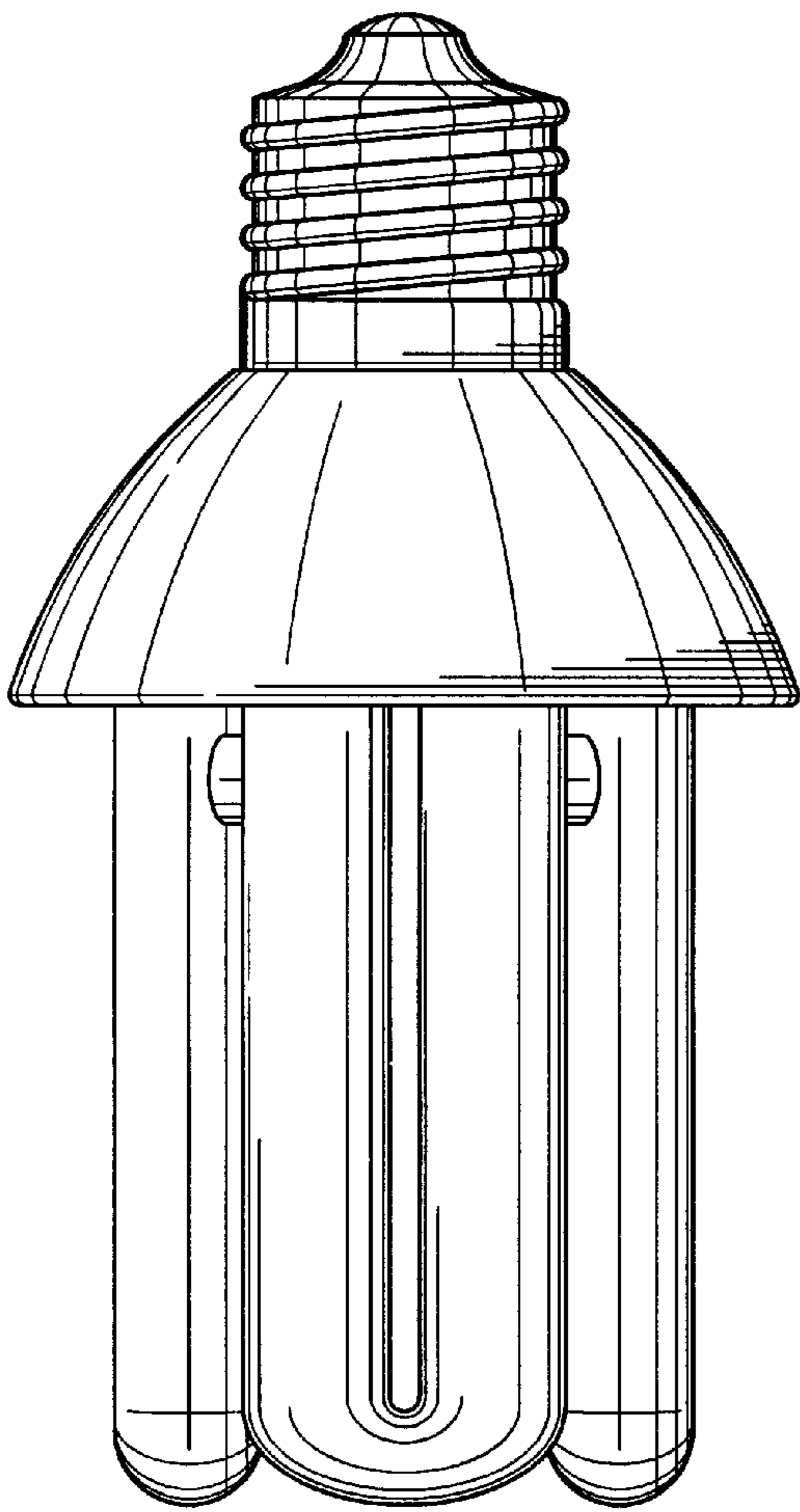
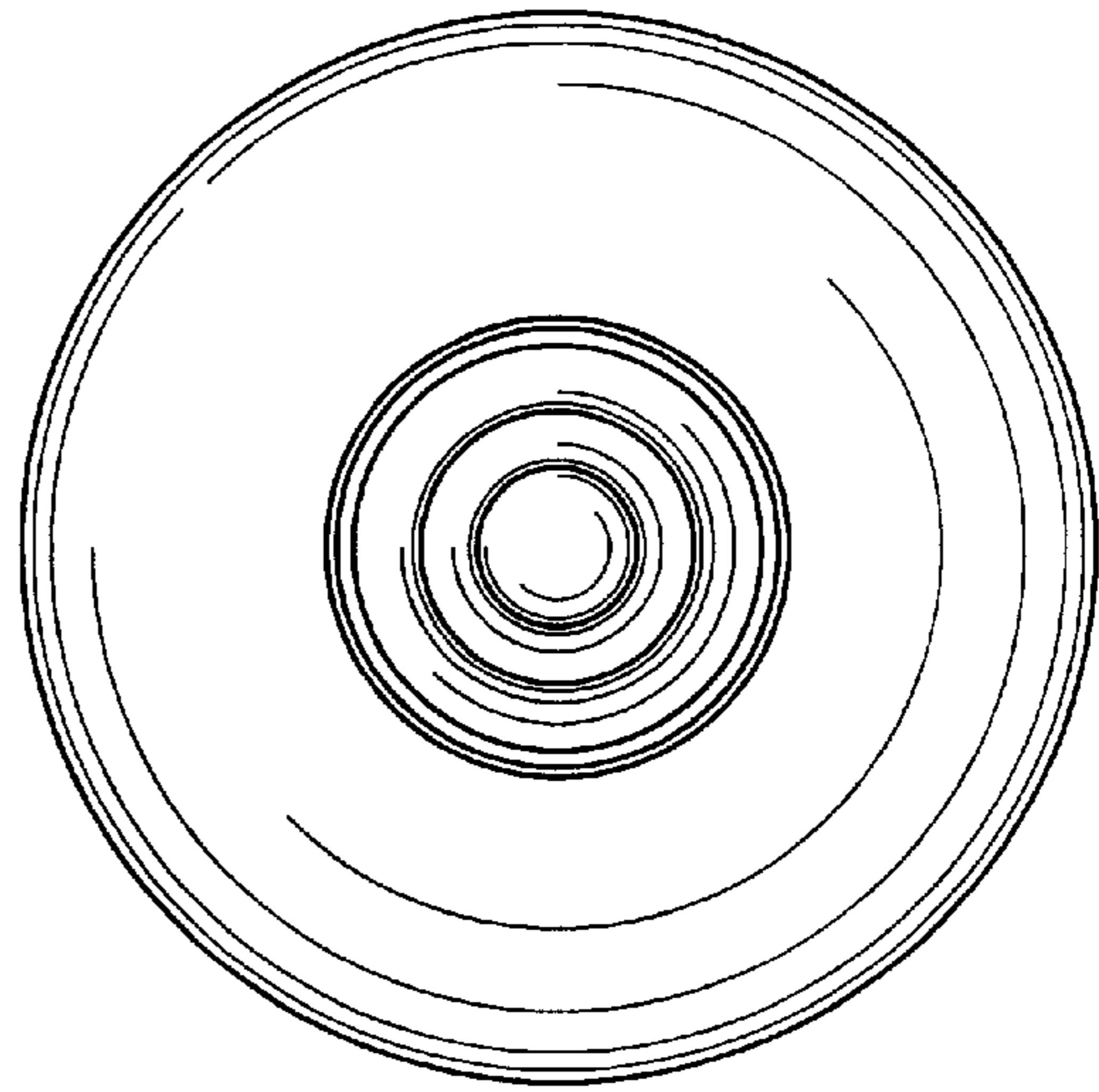


FIG. 2

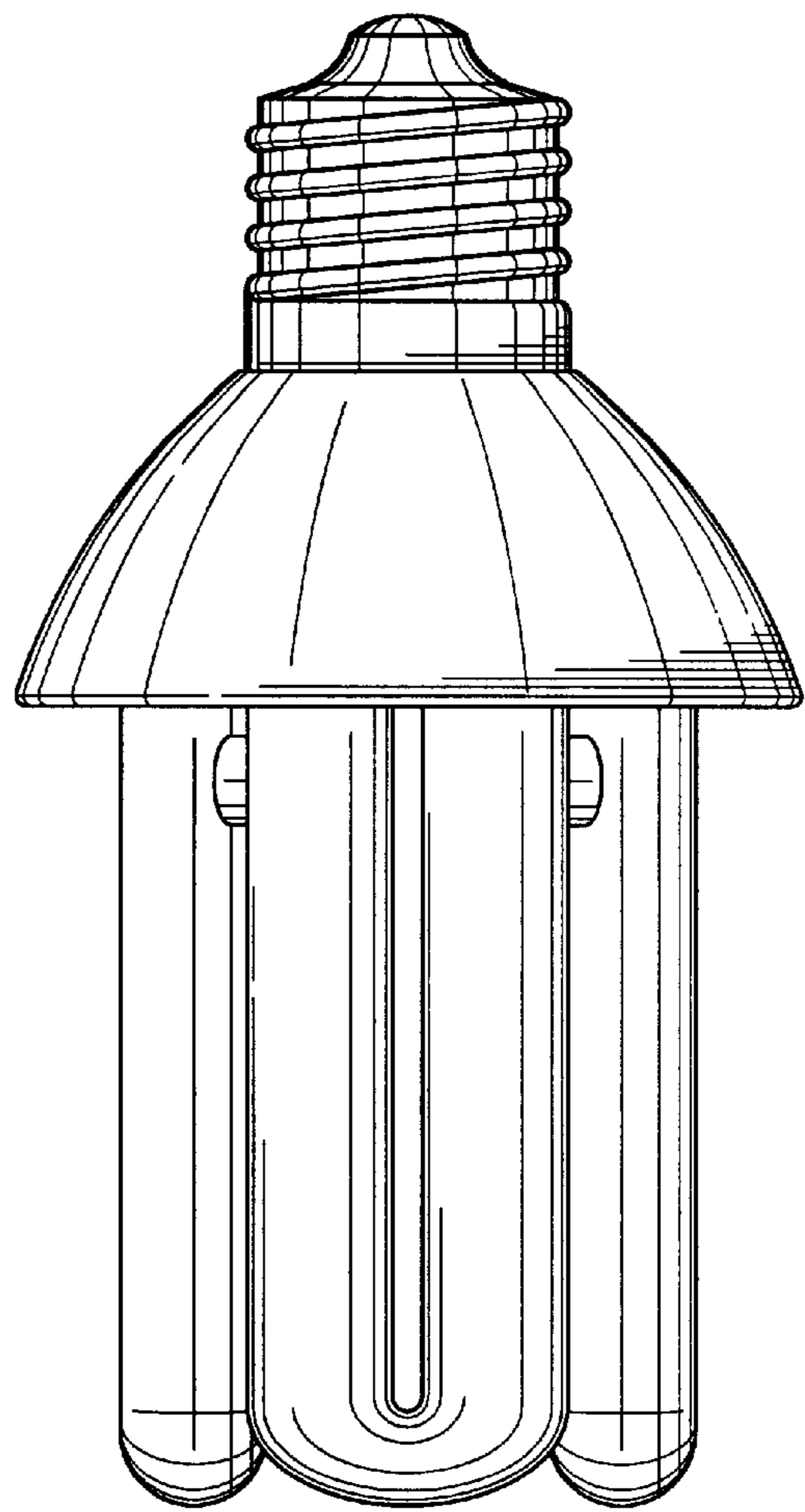


FIG. 1

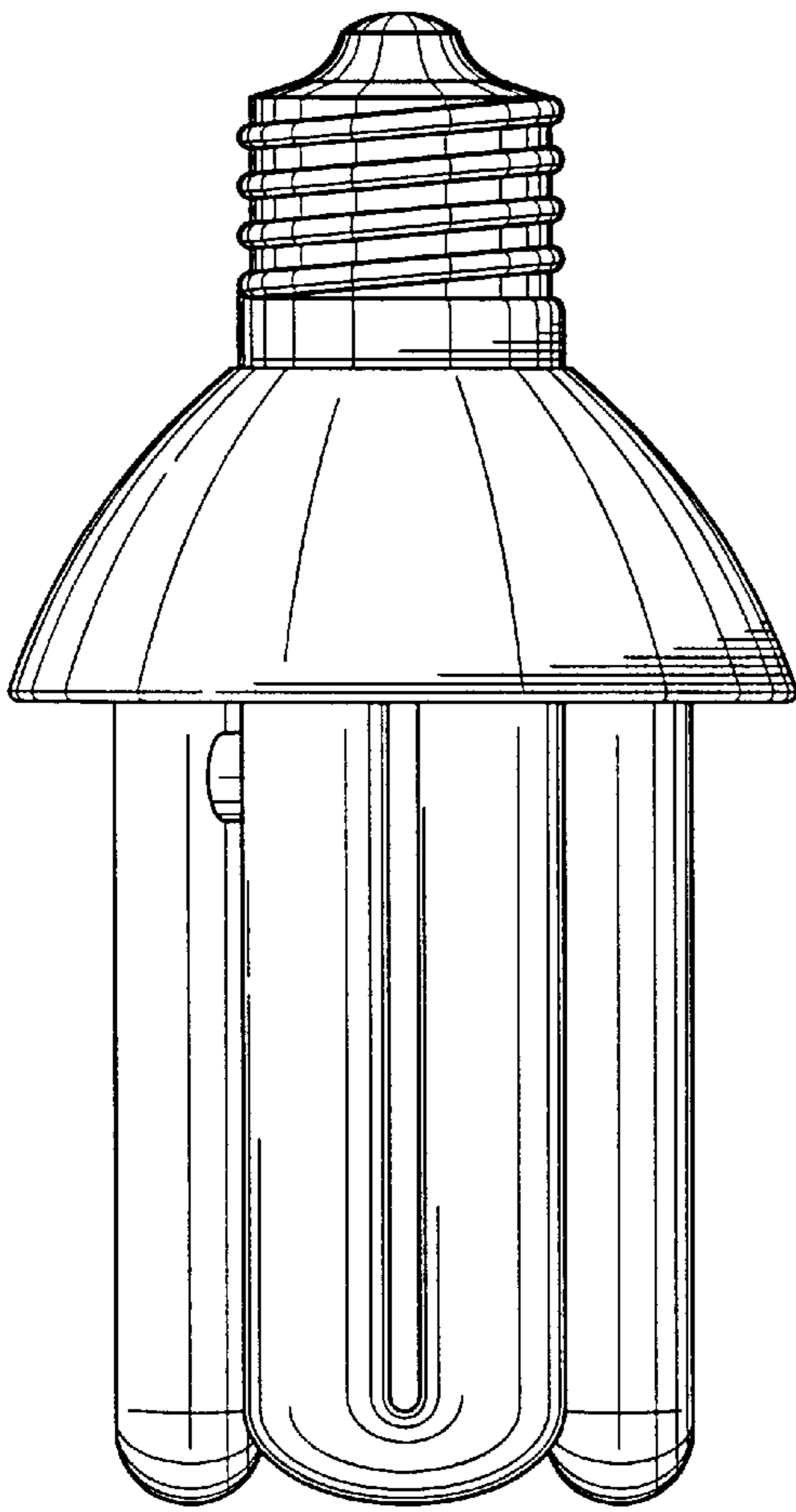


FIG. 4

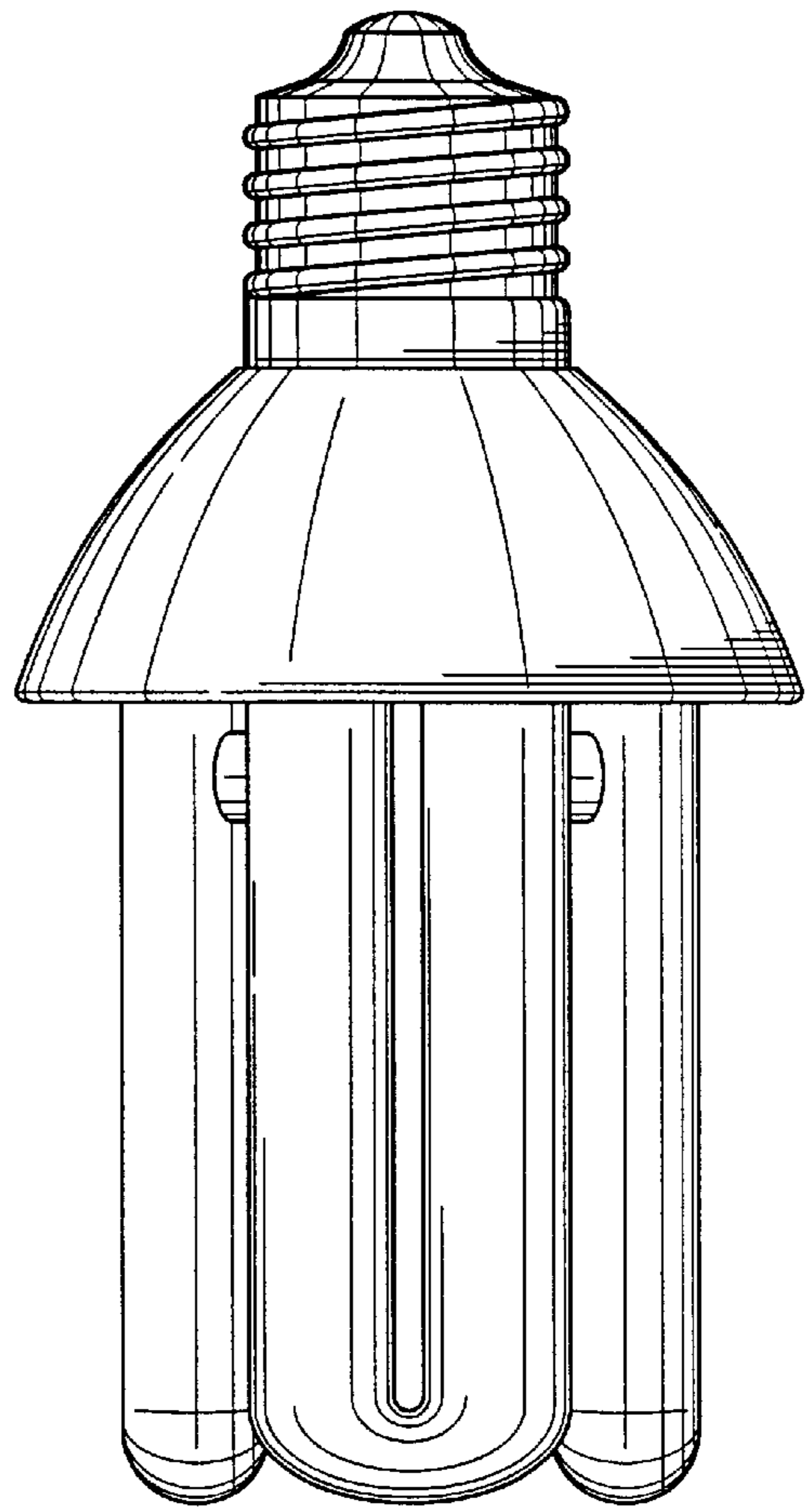


FIG. 5

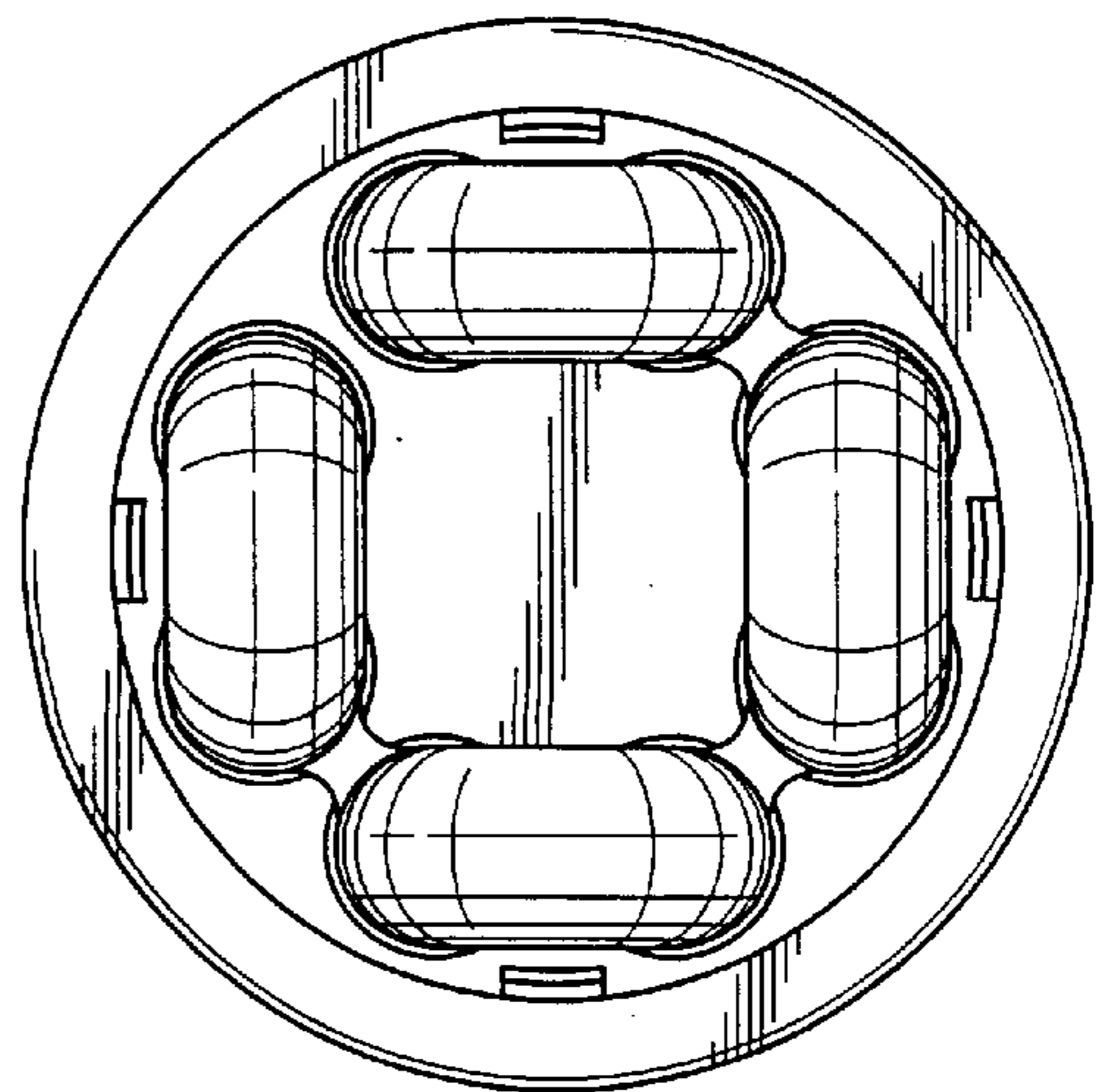


FIG. 6