



US00D429008S

United States Patent [19]
Kohlberger et al.

[11] **Patent Number: Des. 429,008**
[45] **Date of Patent: ** Aug. 1, 2000**

[54] **ROUND COLUMN BASE**

[76] Inventors: **Walter Kohlberger; Ward Kohlberger**, both of 347 Arvin Avenue
Stony Greek, Ontario, Canada, L8E
2M6

[**] Term: **14 Years**

[21] Appl. No.: **29/112,222**

[22] Filed: **Oct. 14, 1999**

[51] **LOC (7) Cl.** **25-01**

[52] **U.S. Cl.** **D25/133**

[58] **Field of Search** D25/135, 133;
52/300, 367, 372, 297

[56] **References Cited**

U.S. PATENT DOCUMENTS

D. 348,738	7/1994	Jasinsky	D25/133
5,692,351	12/1997	Morrison, III et al.	52/301
5,934,035	8/1999	Rasmussen et al.	52/300

Primary Examiner—Doris Clark

[57] **CLAIM**

The ornamental design for a round column base, as shown.

DESCRIPTION

FIG. 1 is a top plan view of the round column base showing our new design.
FIG. 2 is a side elevational view.
FIG. 3 is a bottom plan view thereof.
FIG. 4 is a cross sectional view taken along line 4—4 shown in FIG. 3.

FIG. 5 is a top perspective view of the round column base shown in FIGS. 1 to 4.
FIG. 6 is a bottom perspective view of the round column base shown in FIGS. 1 to 4.
FIG. 7 is a top plan view of a second embodiment of the round column base showing our new design.
FIG. 8 is a side elevational view.
FIG. 9 is a bottom plan view thereof.
FIG. 10 is a cross sectional view taken along line 10—10 shown in FIG. 9.
FIG. 11 is a top perspective view of the round column base shown in FIGS. 7—10.
FIG. 12 is a bottom perspective view of the round column base shown in FIGS. 7 to 10.
FIG. 13 is a top plan view of a third embodiment of the round column base showing our new design.
FIG. 14 is a side elevational view.
FIG. 15 is a bottom plan view thereof.
FIG. 16 is a cross sectional view taken along line 16—16 shown in FIG. 15.
FIG. 17 is a top perspective view of the round column base shown in FIGS. 13 to 16.
FIG. 18 is a bottom perspective view of the round column base shown in FIGS. 13 to 16.
FIG. 19 is a top plan view of a fourth embodiment of the round column base showing our new design.
FIG. 20 is a side elevational view.
FIG. 21 is a bottom plan view thereof.
FIG. 22 is a cross sectional view taken along line 22—22 shown in FIG. 21.
FIG. 23 is a top perspective view of the round column base shown in FIGS. 19 to 22; and,
FIG. 24 is a bottom perspective view of the round column base shown in FIGS. 19 to 22.

1 Claim, 8 Drawing Sheets

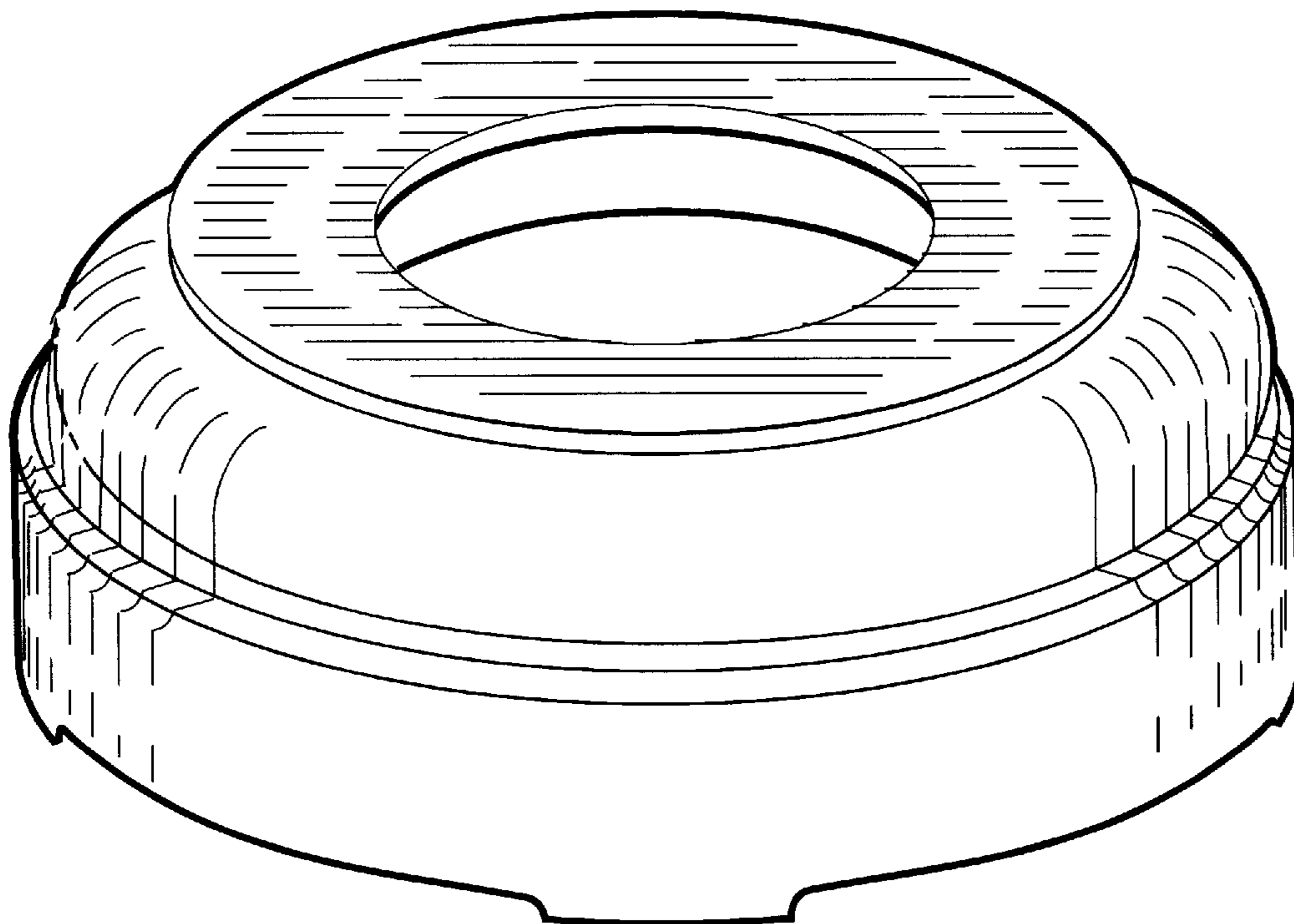


FIGURE - 1

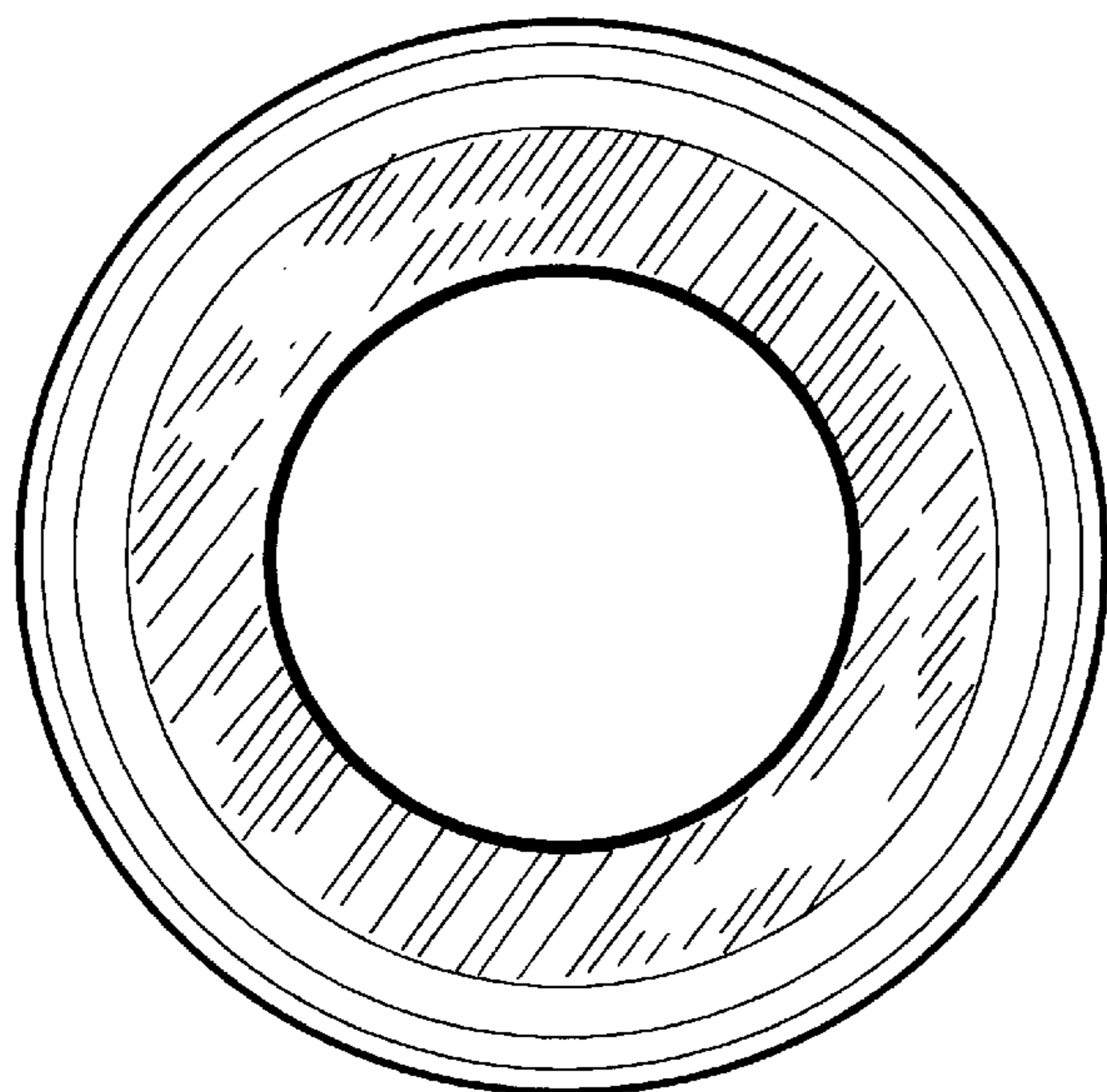


FIGURE - 2

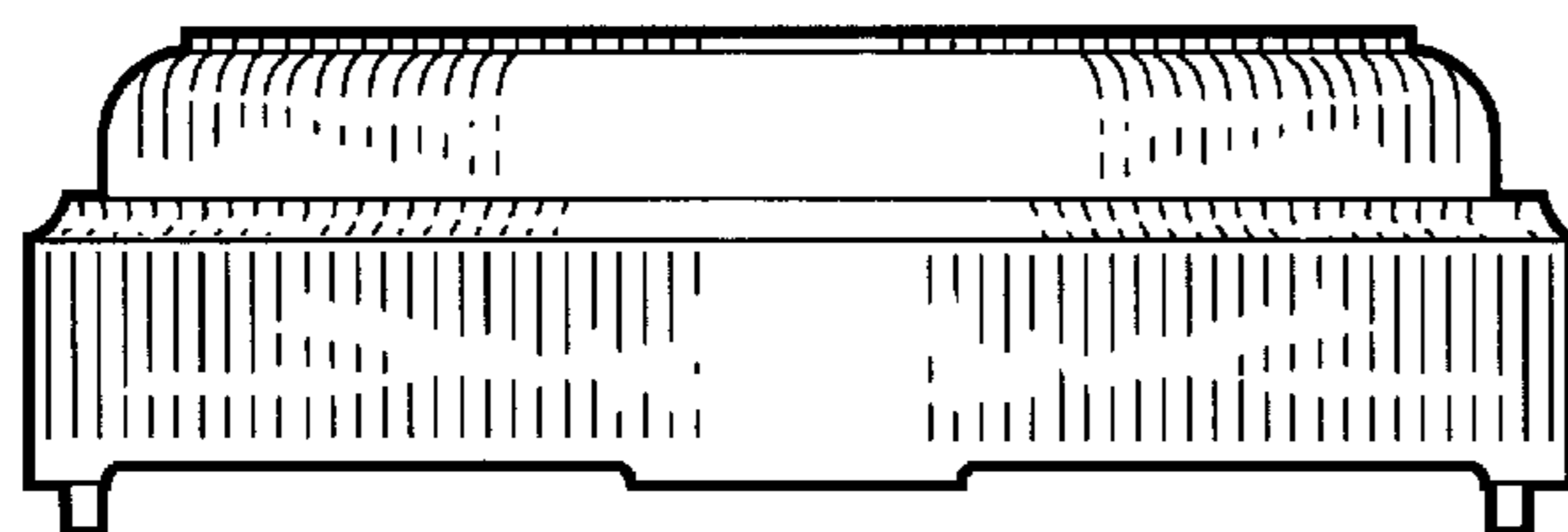


FIGURE - 3

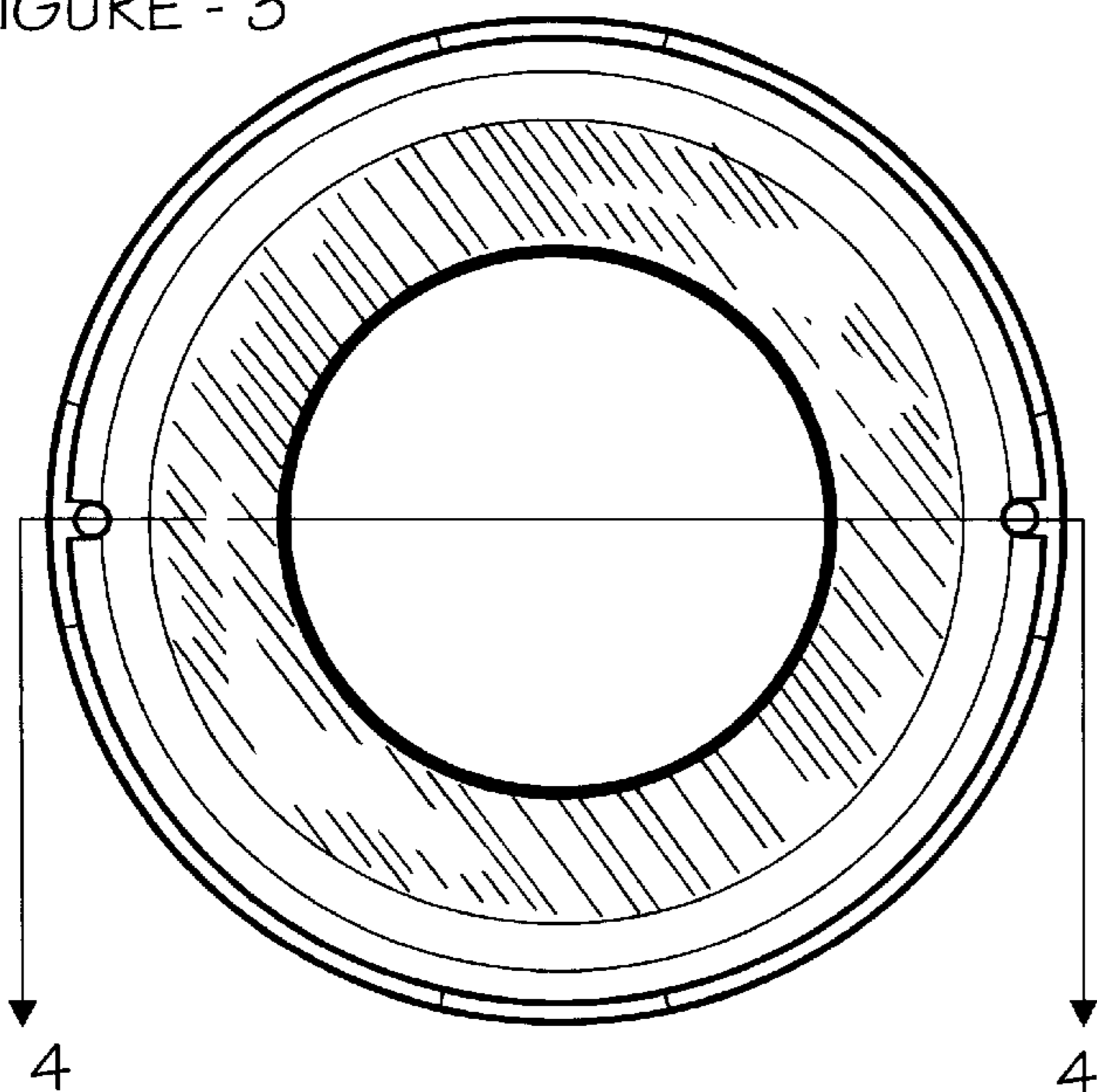


FIGURE - 4

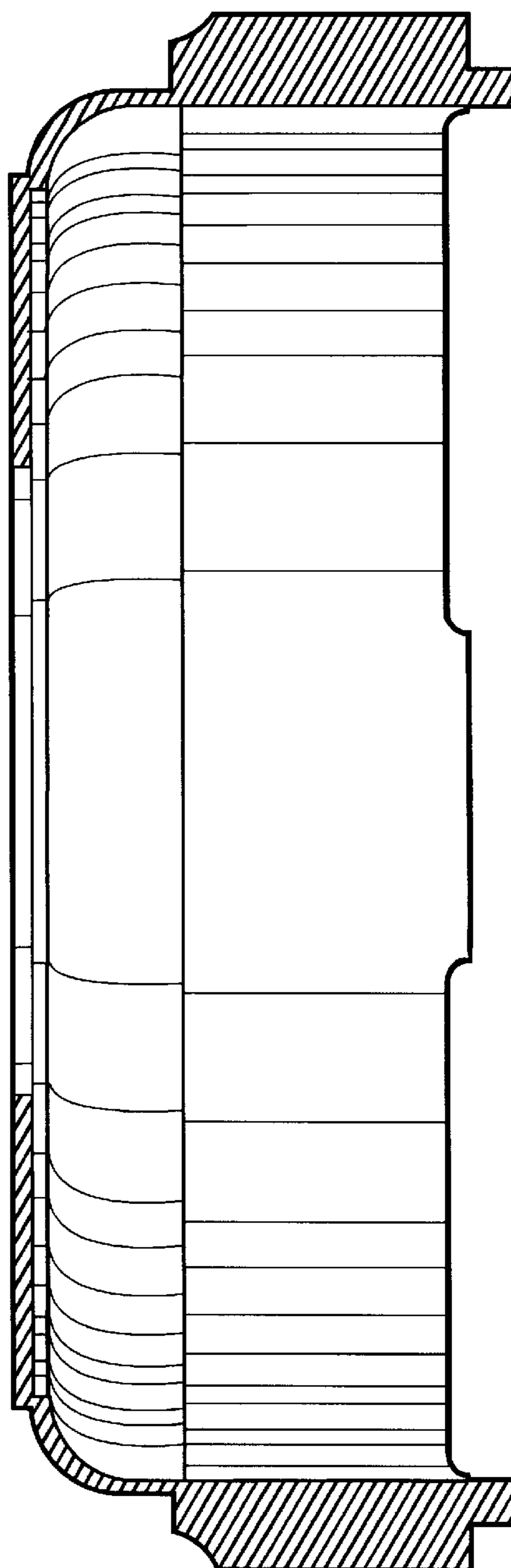


FIGURE - 5

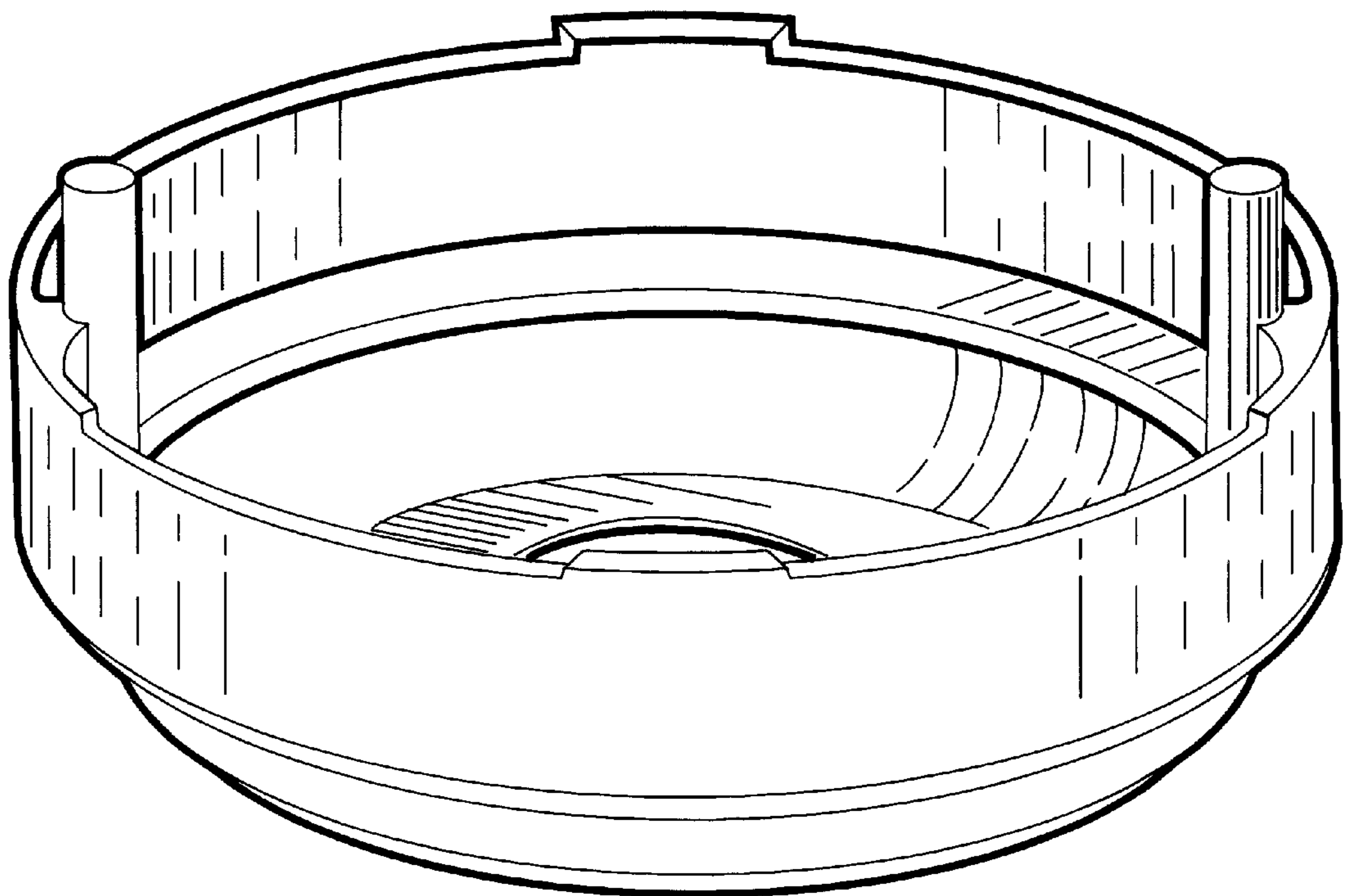
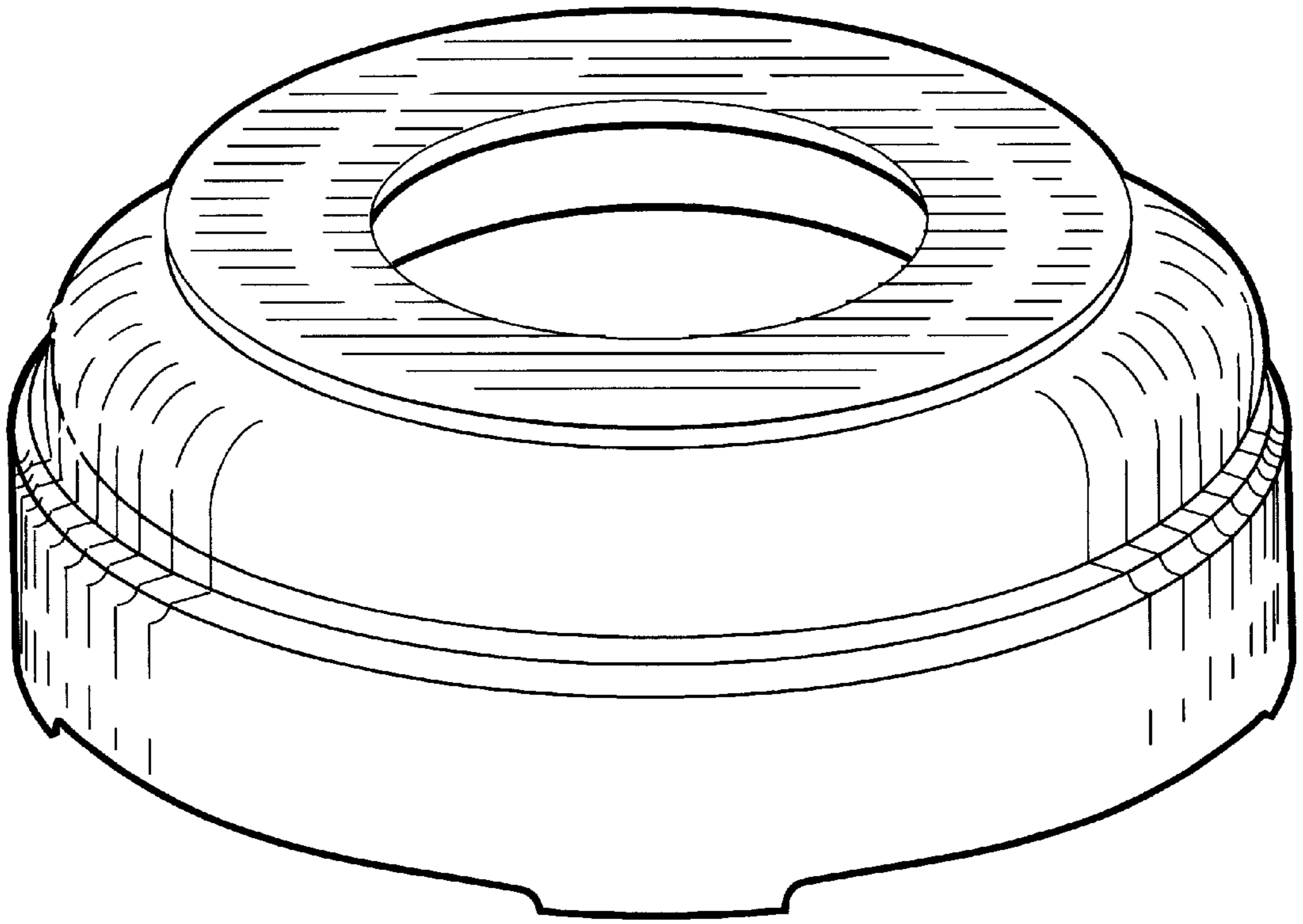


FIGURE - 6

FIGURE - 7

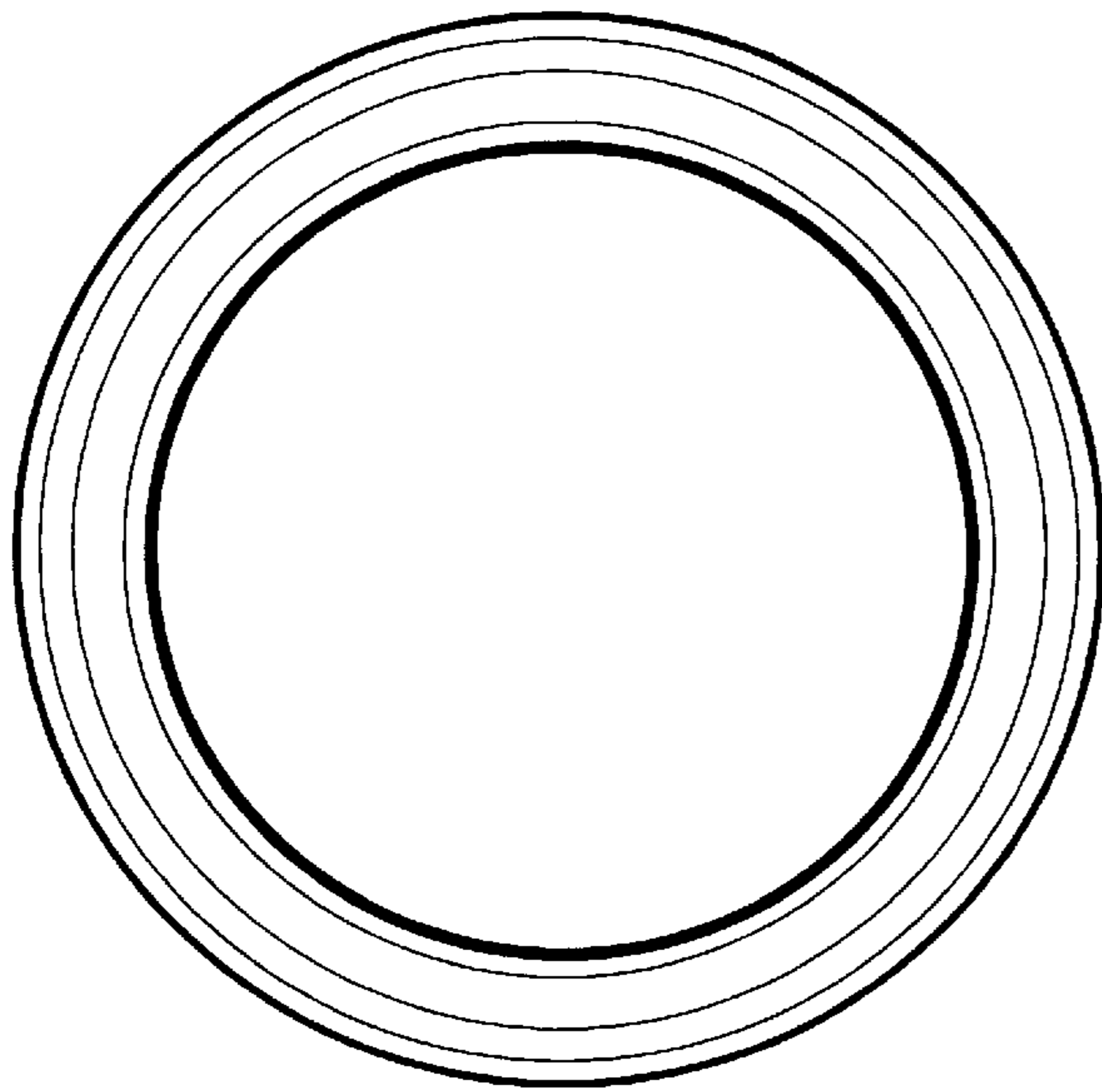


FIGURE - 8

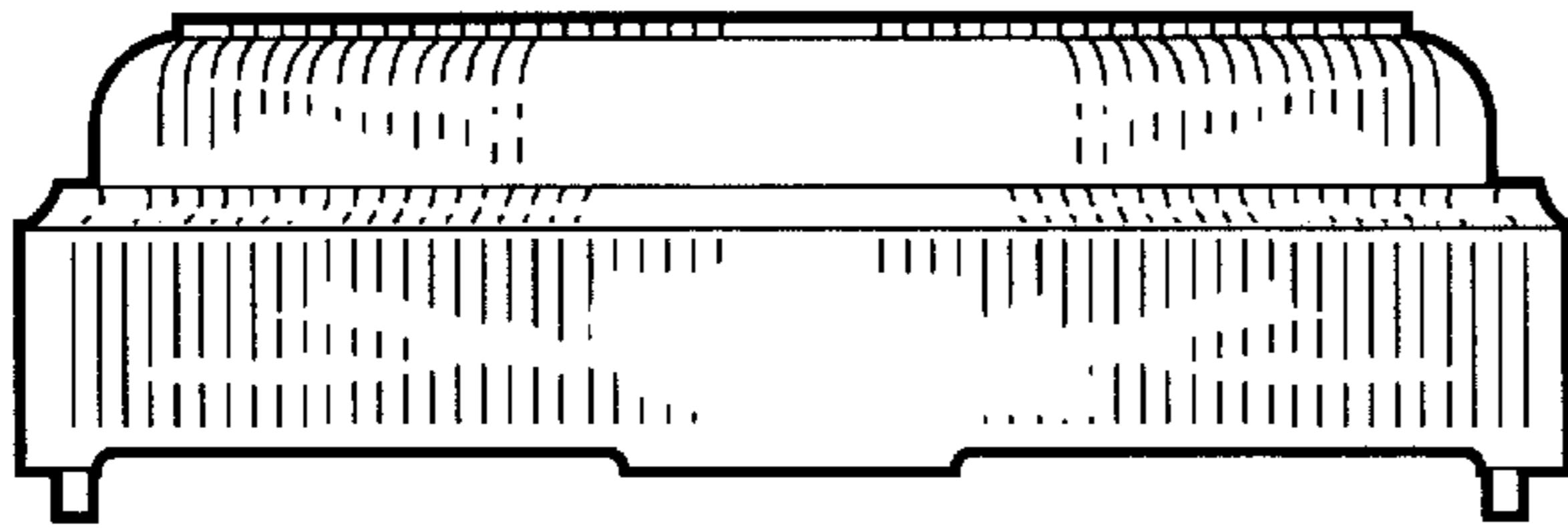


FIGURE - 9

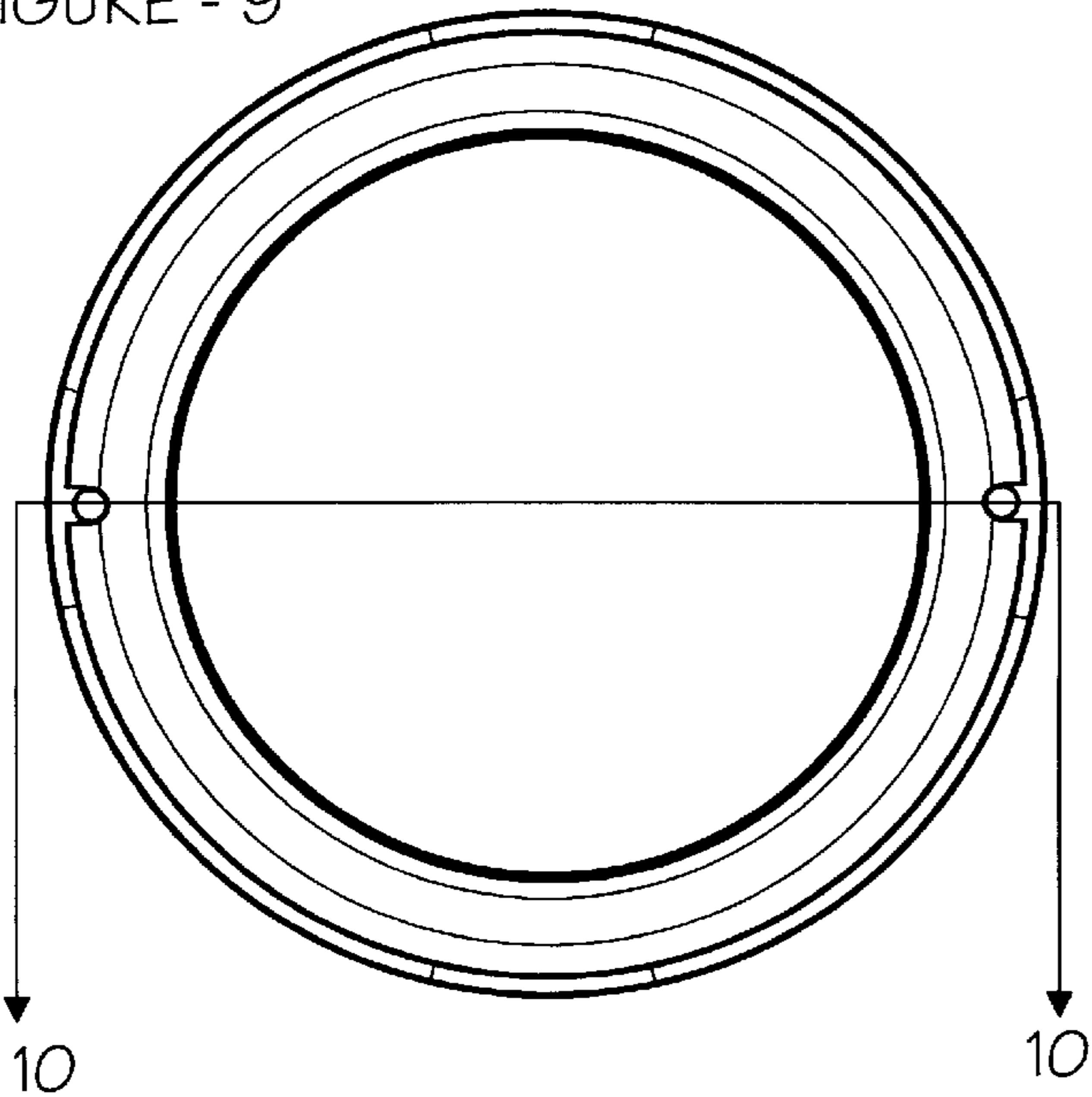


FIGURE - 10

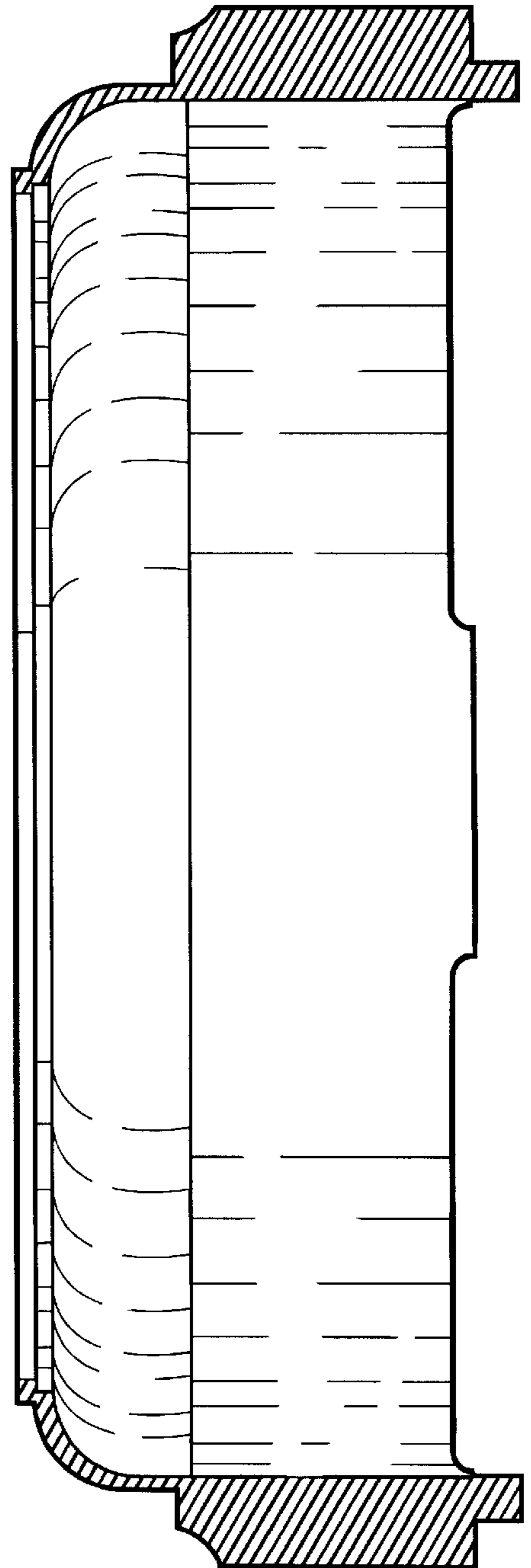


FIGURE - 11

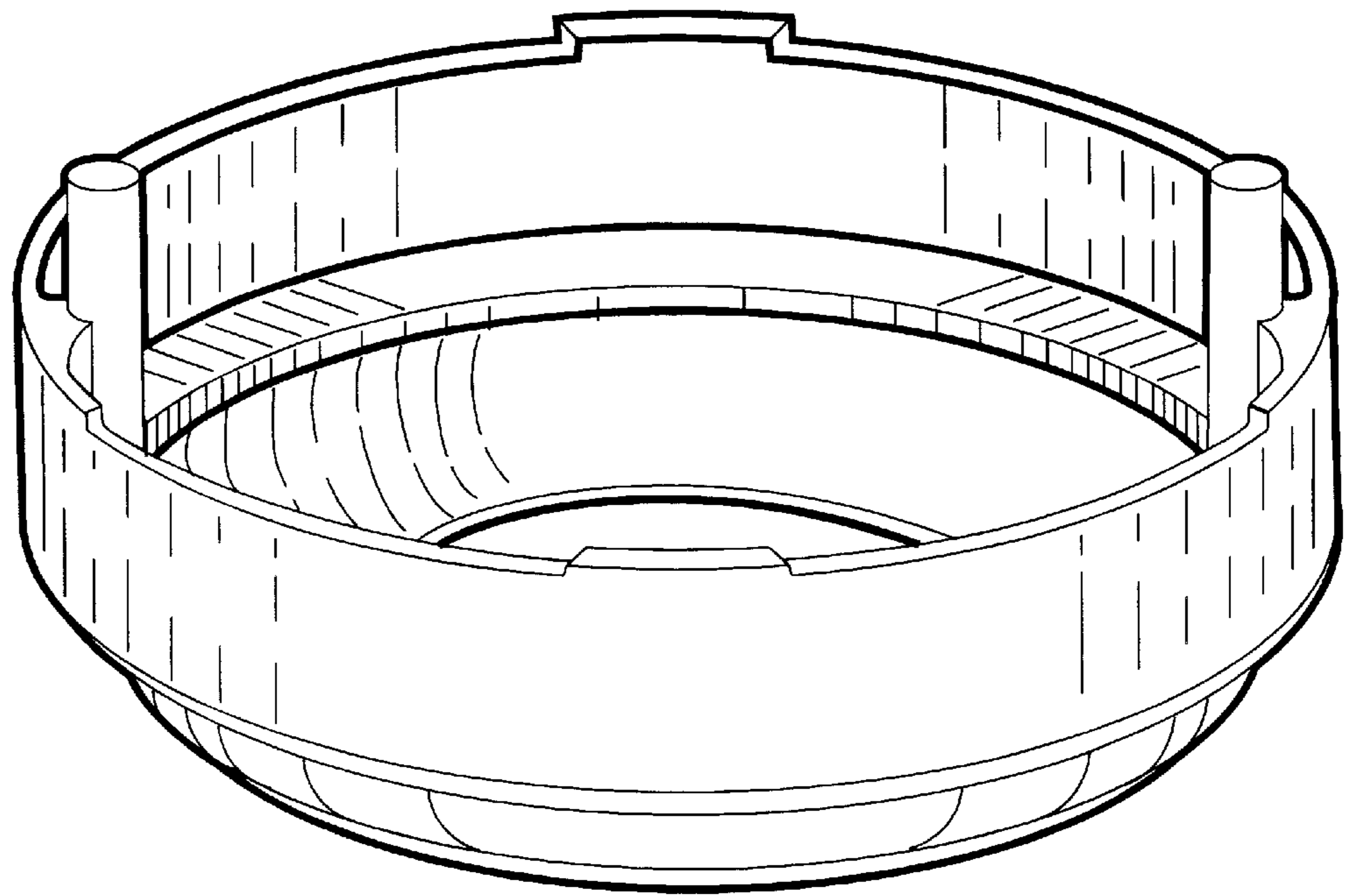
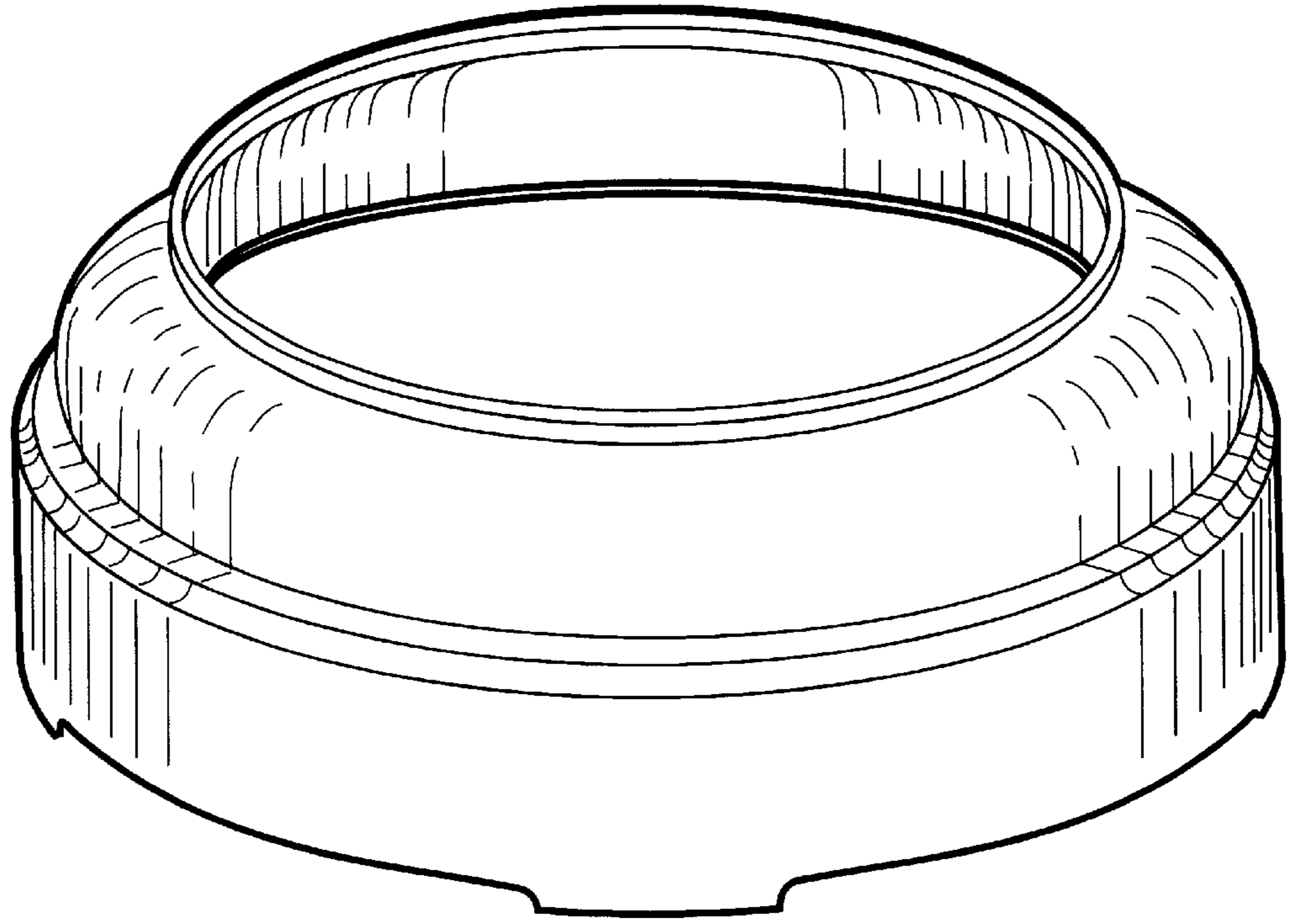


FIGURE - 12

FIGURE - 13

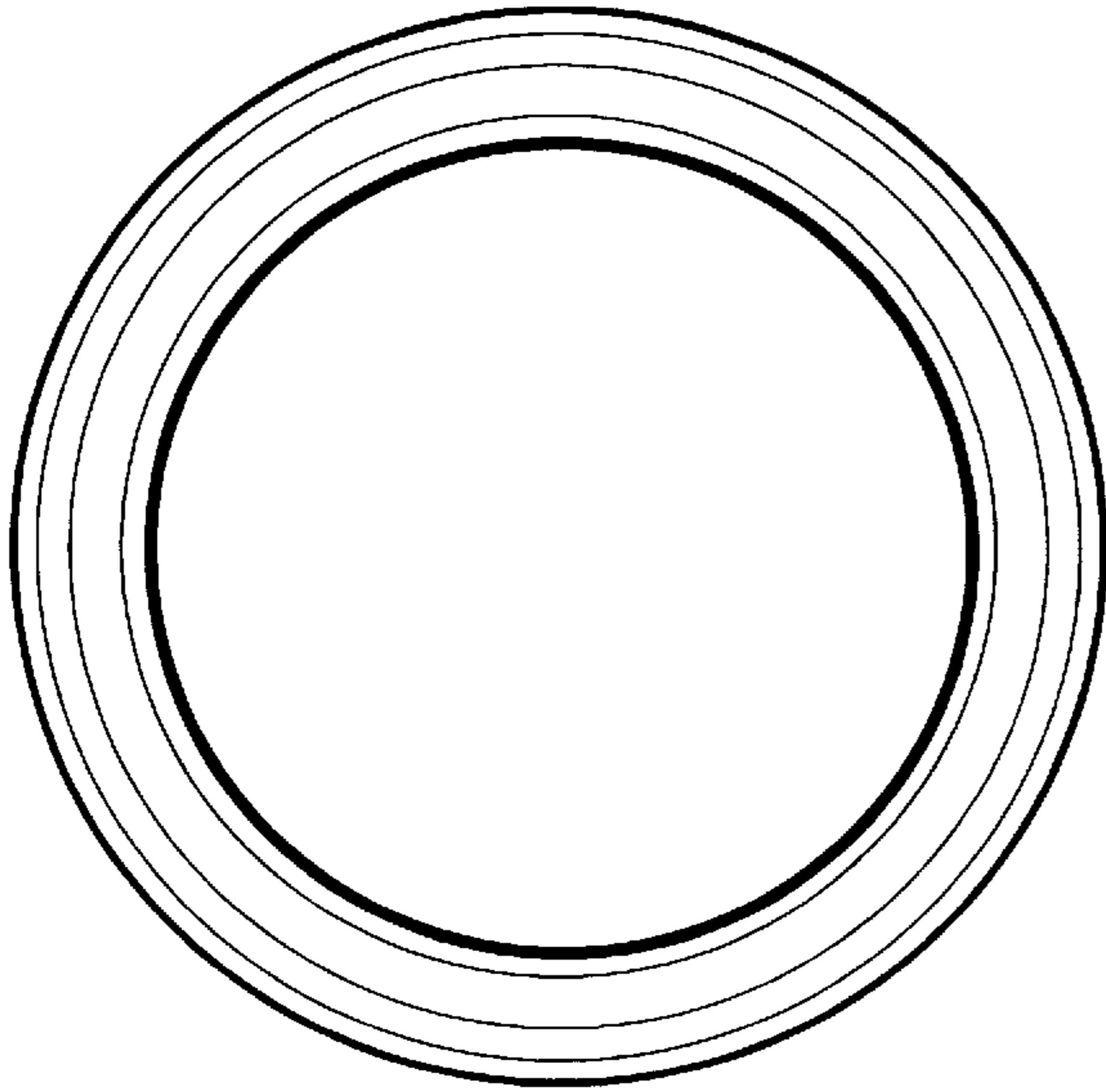


FIGURE - 14

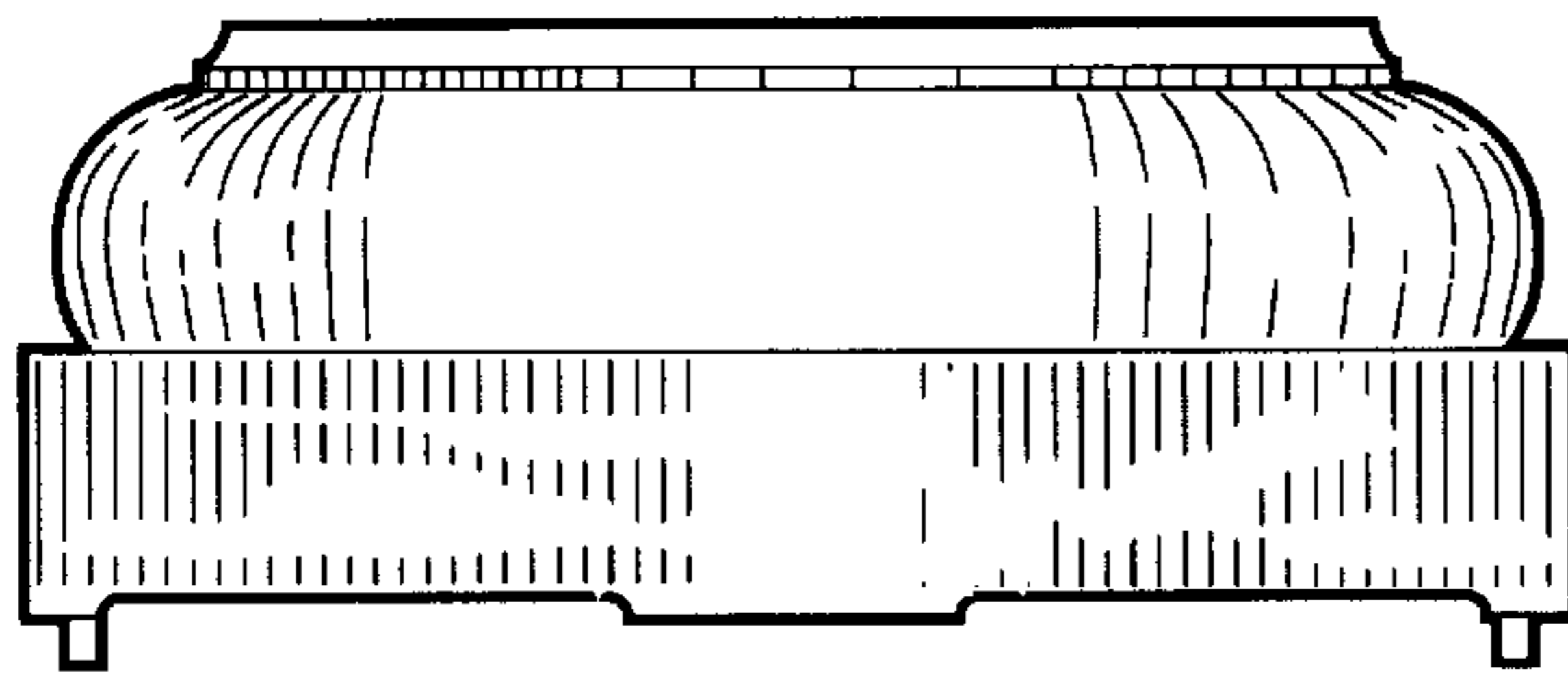


FIGURE - 15

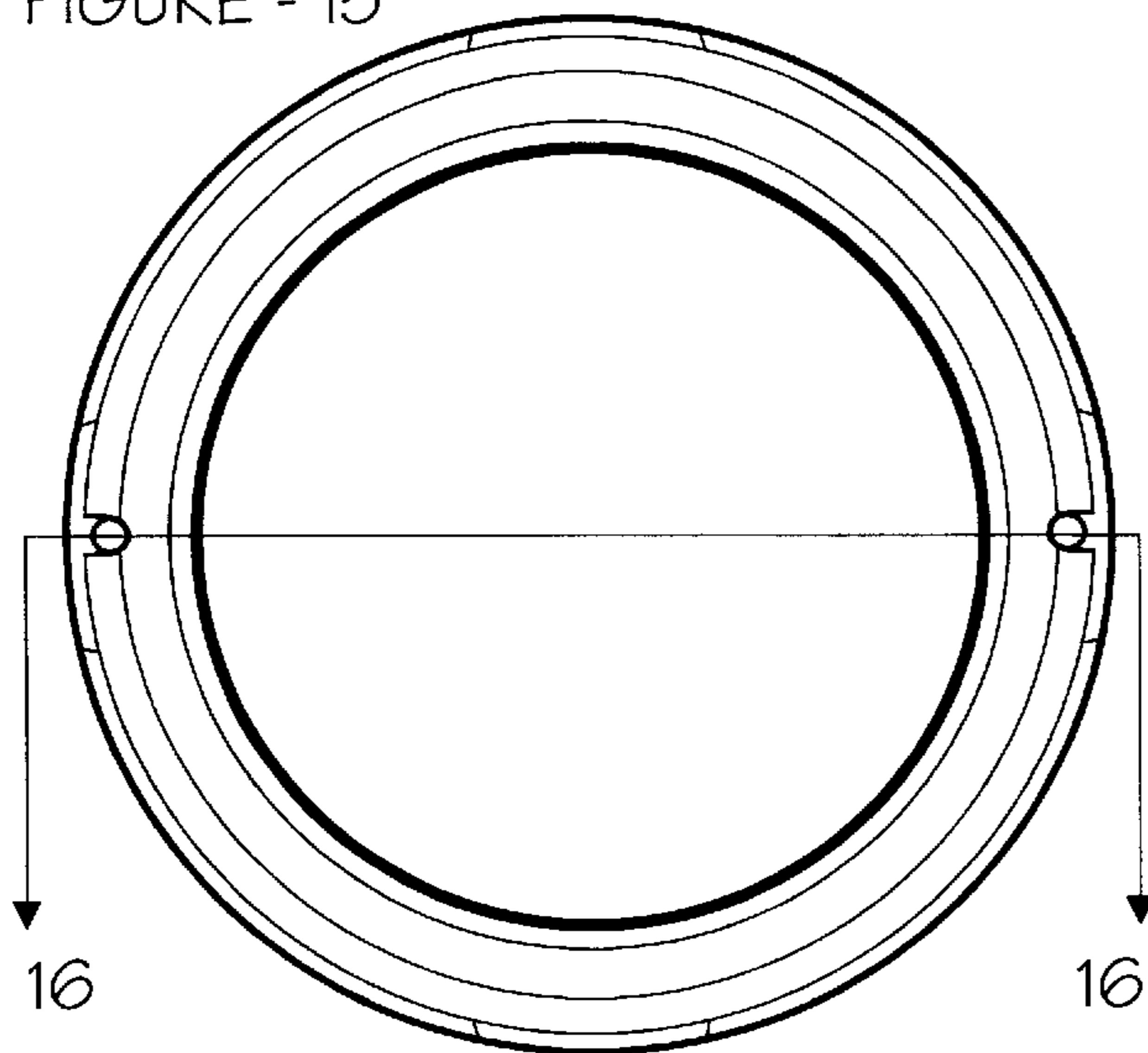


FIGURE - 16

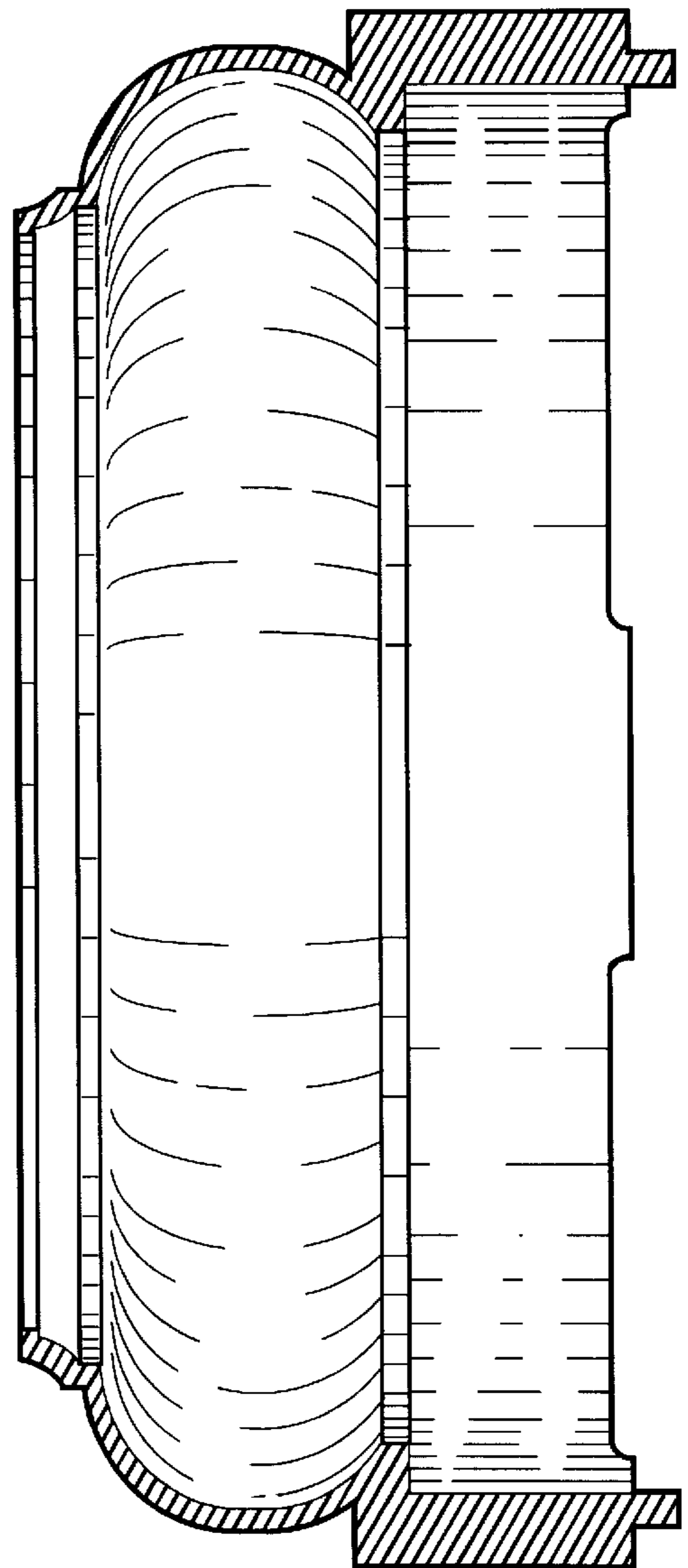


FIGURE - 17

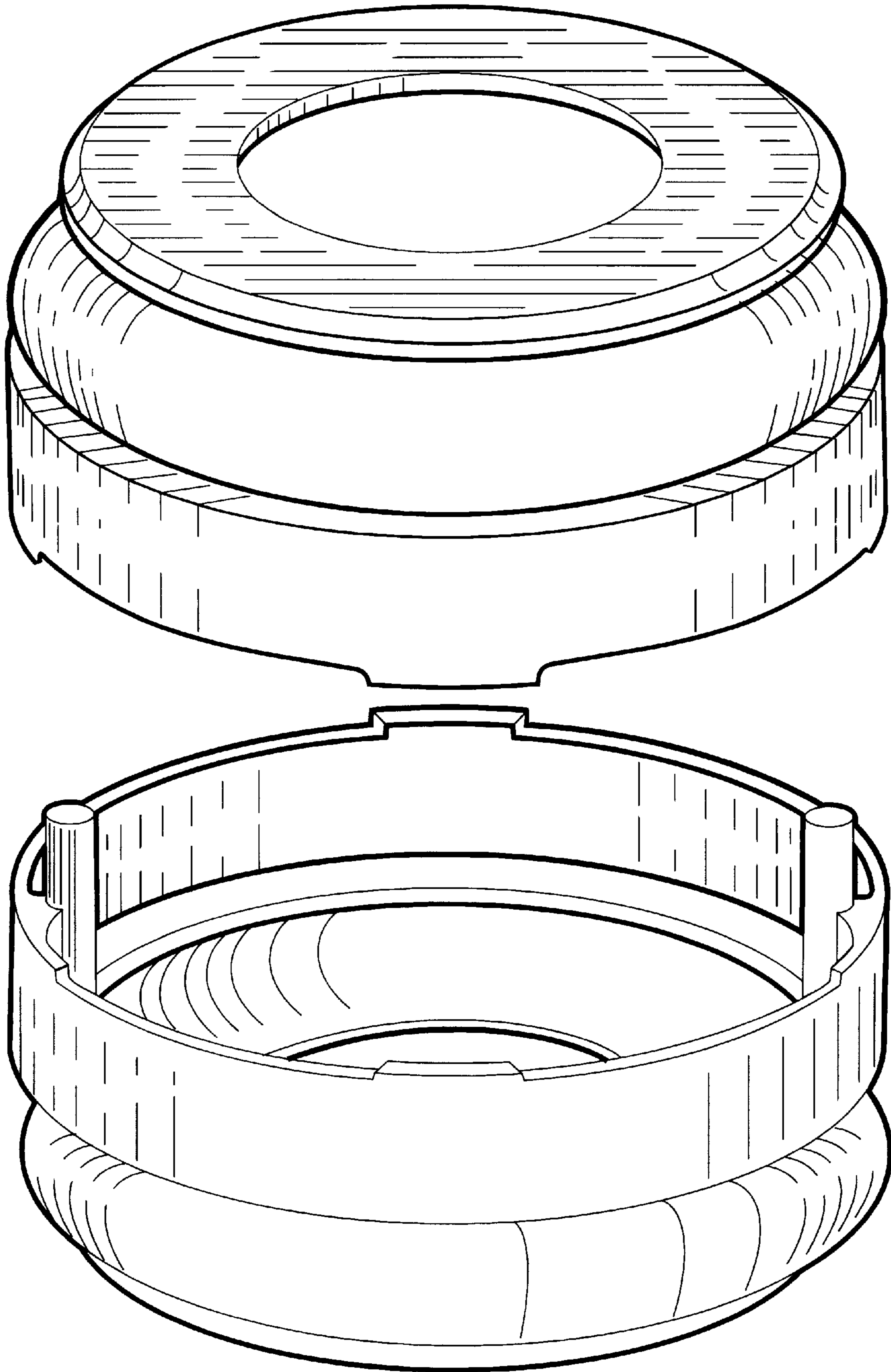


FIGURE - 18

FIGURE - 19

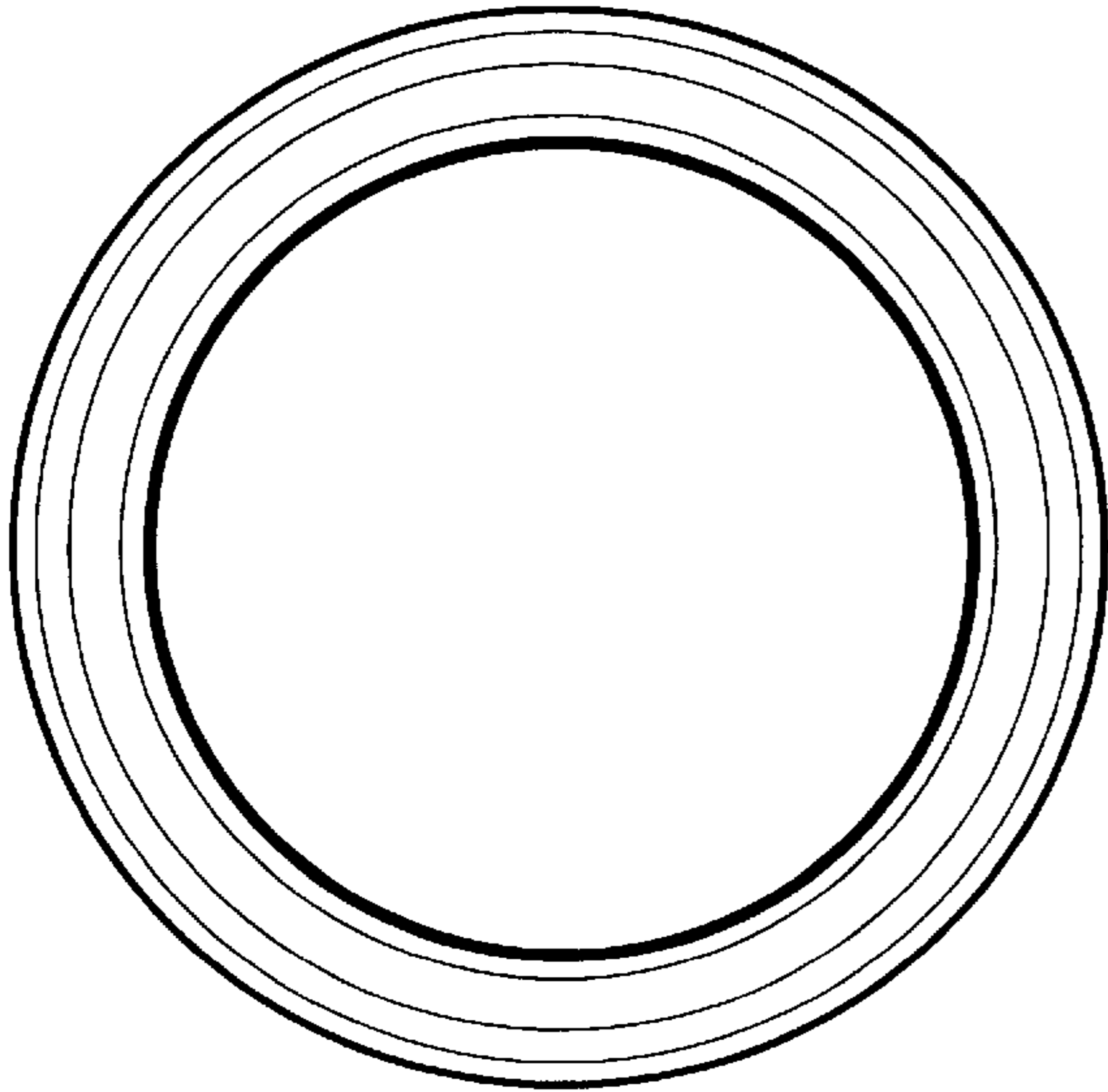


FIGURE - 20

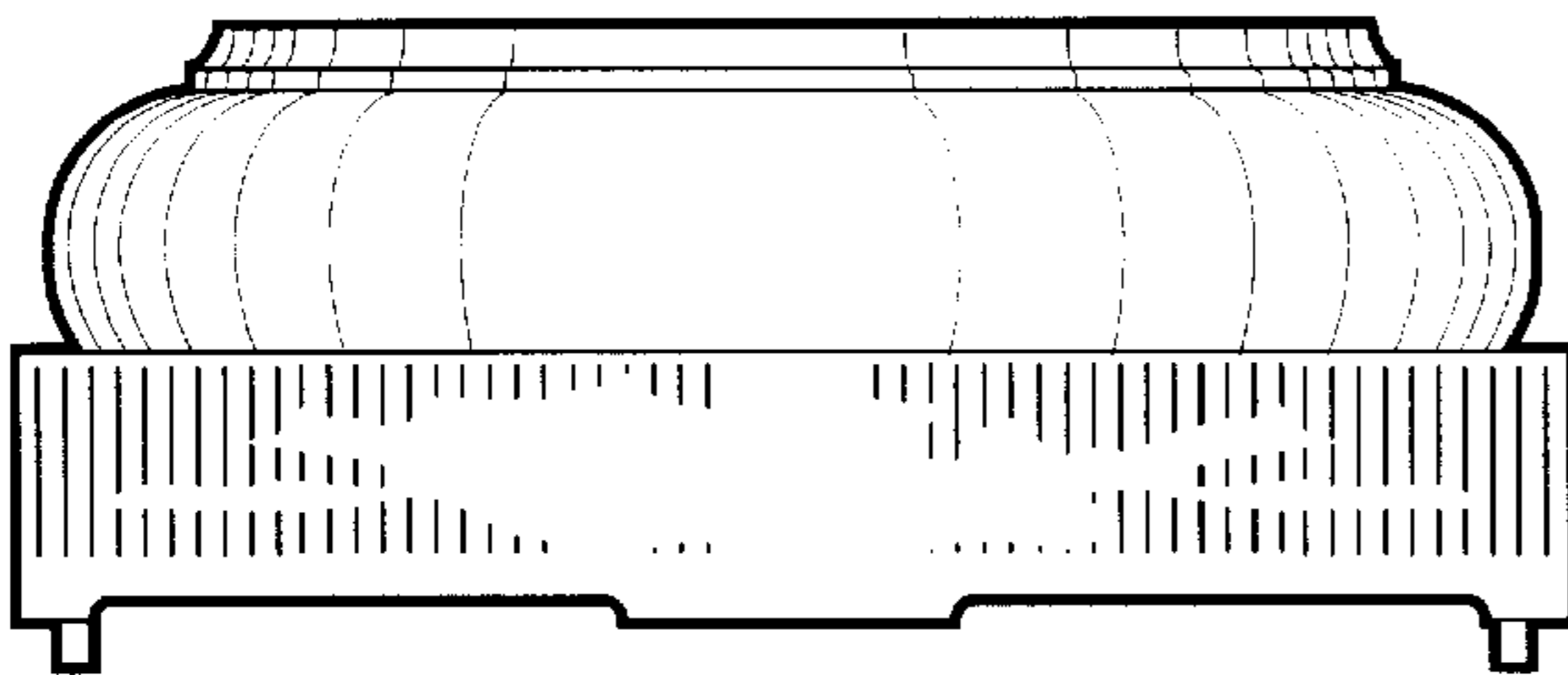


FIGURE - 21

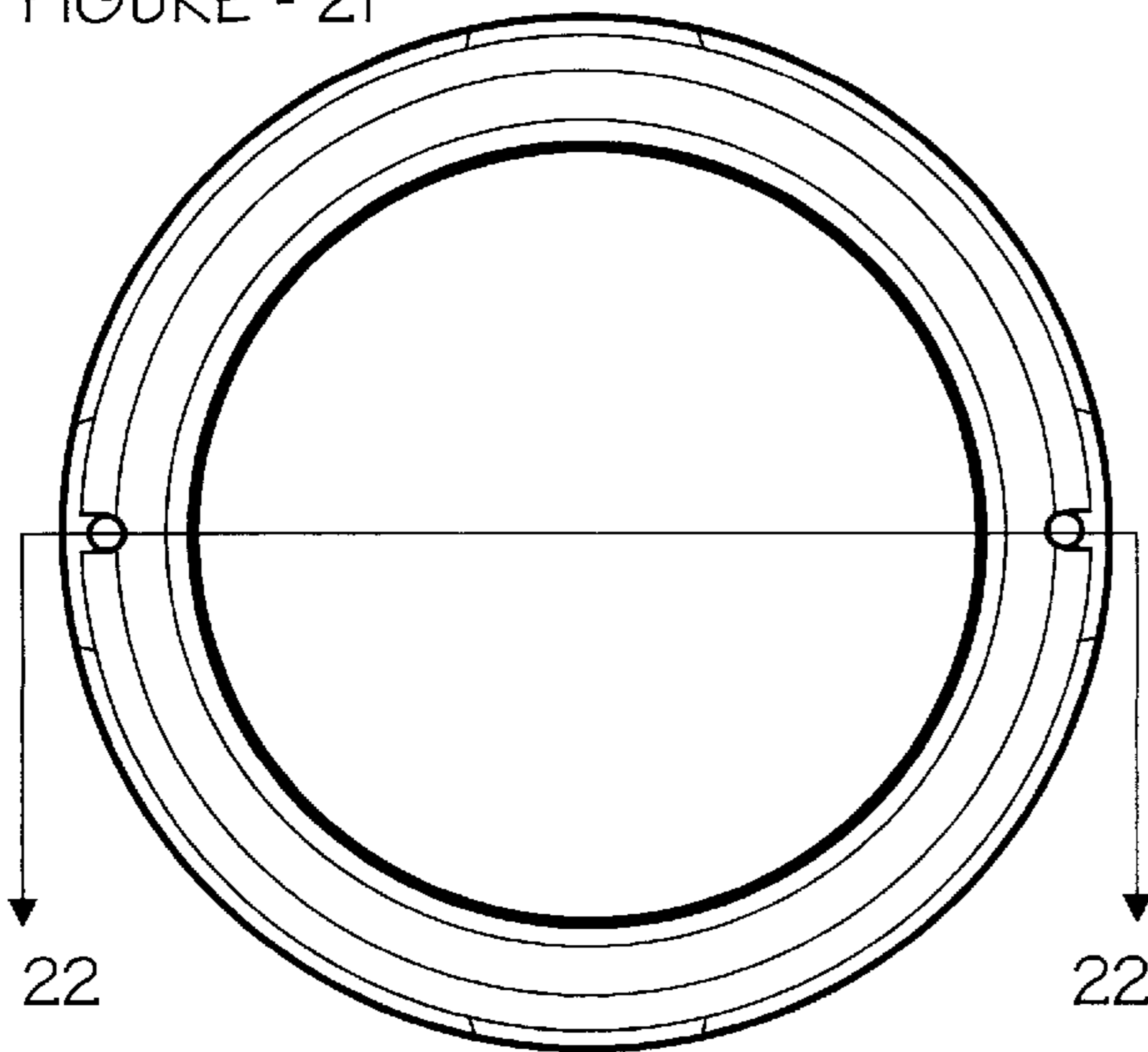


FIGURE - 22

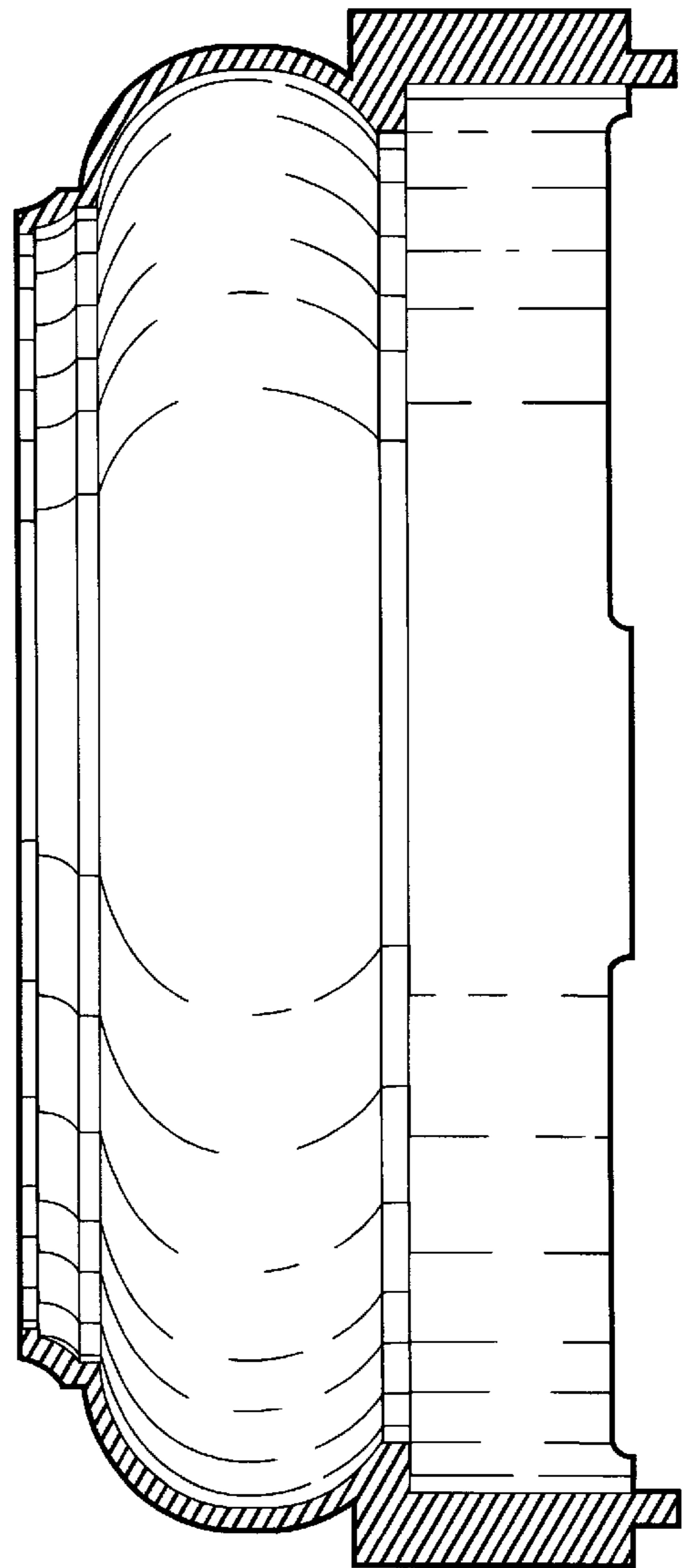


FIGURE - 23

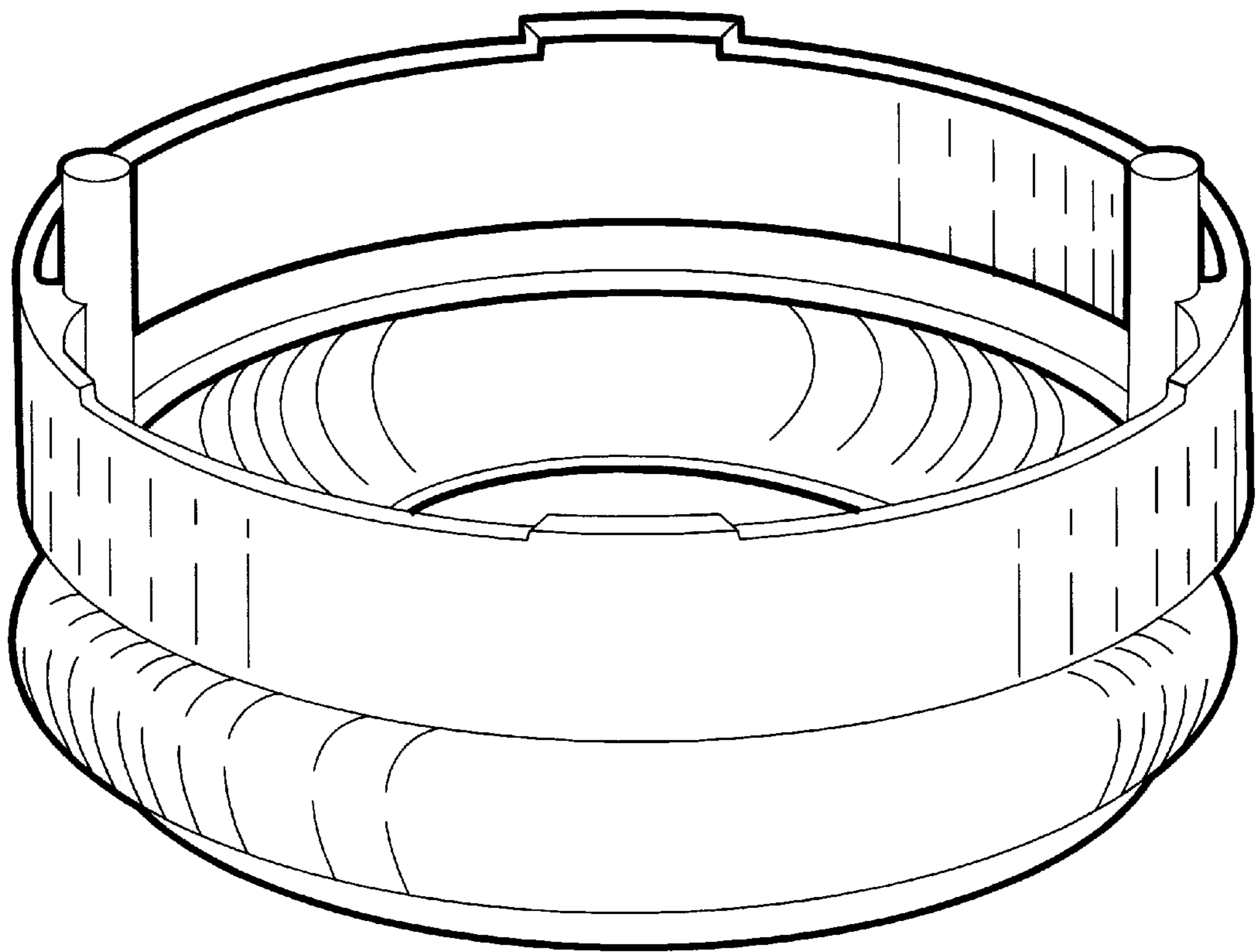
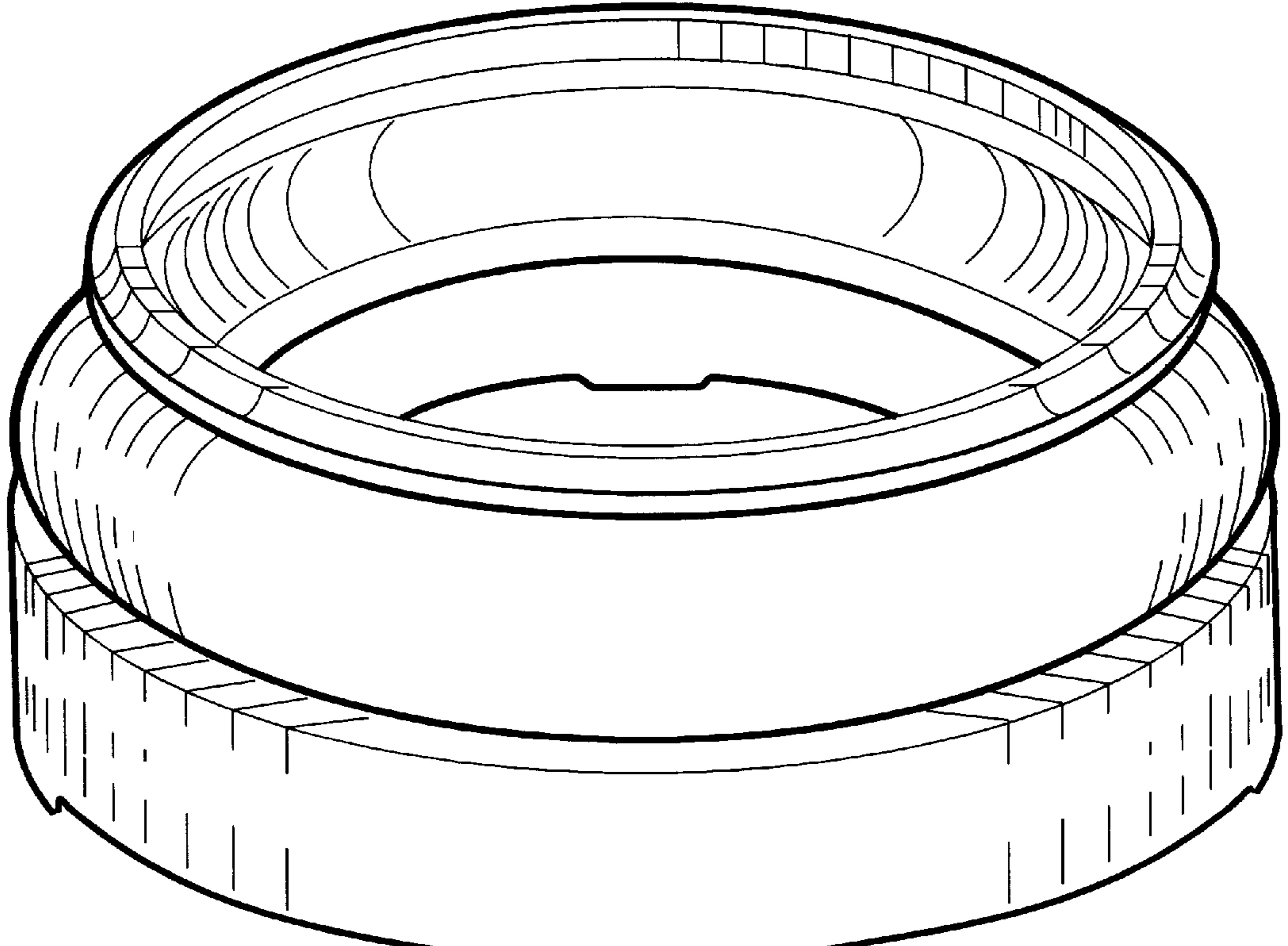


FIGURE - 24