



US00D429007S

United States Patent [19] Sun

[11] **Patent Number: Des. 429,007**

[45] **Date of Patent: ** Aug. 1, 2000**

[54] **BRICK**

4,947,610 8/1990 Koerner 52/606
5,788,423 8/1998 Perkins 405/284

[76] Inventor: **Robert Sun**, Post Box 8381, Tamuninz,
Guam 96931

FOREIGN PATENT DOCUMENTS

[**] Term: **14 Years**

3727584 3/1989 Germany 52/596

[21] Appl. No.: **29/110,482**

Primary Examiner—Louis S. Zarfes
Assistant Examiner—Robert A. Delehanty

[22] Filed: **Sep. 8, 1999**

[57] CLAIM

[51] **LOC (7) Cl.** **25-01**

The ornamental design for brick, as shown and described.

[52] **U.S. Cl.** **D25/118**

DESCRIPTION

[58] **Field of Search** D25/102, 113–118,
D25/164; D21/484–486, 489–491, 499–505;
52/588.1, 591.2, 582.1, 596, 604, 606,
612; 404/34, 37–42; 405/284–286

FIG. 1 is perspective view of a first embodiment of a brick showing my new design;

FIG. 2 is right side elevational view thereof;

FIG. 3 is a top view thereof;

FIG. 4 is a front elevational view thereof;

FIG. 5 is a bottom view thereof;

FIG. 6 is a left side elevational view thereof;

FIG. 7 is a rear elevational view thereof; and,

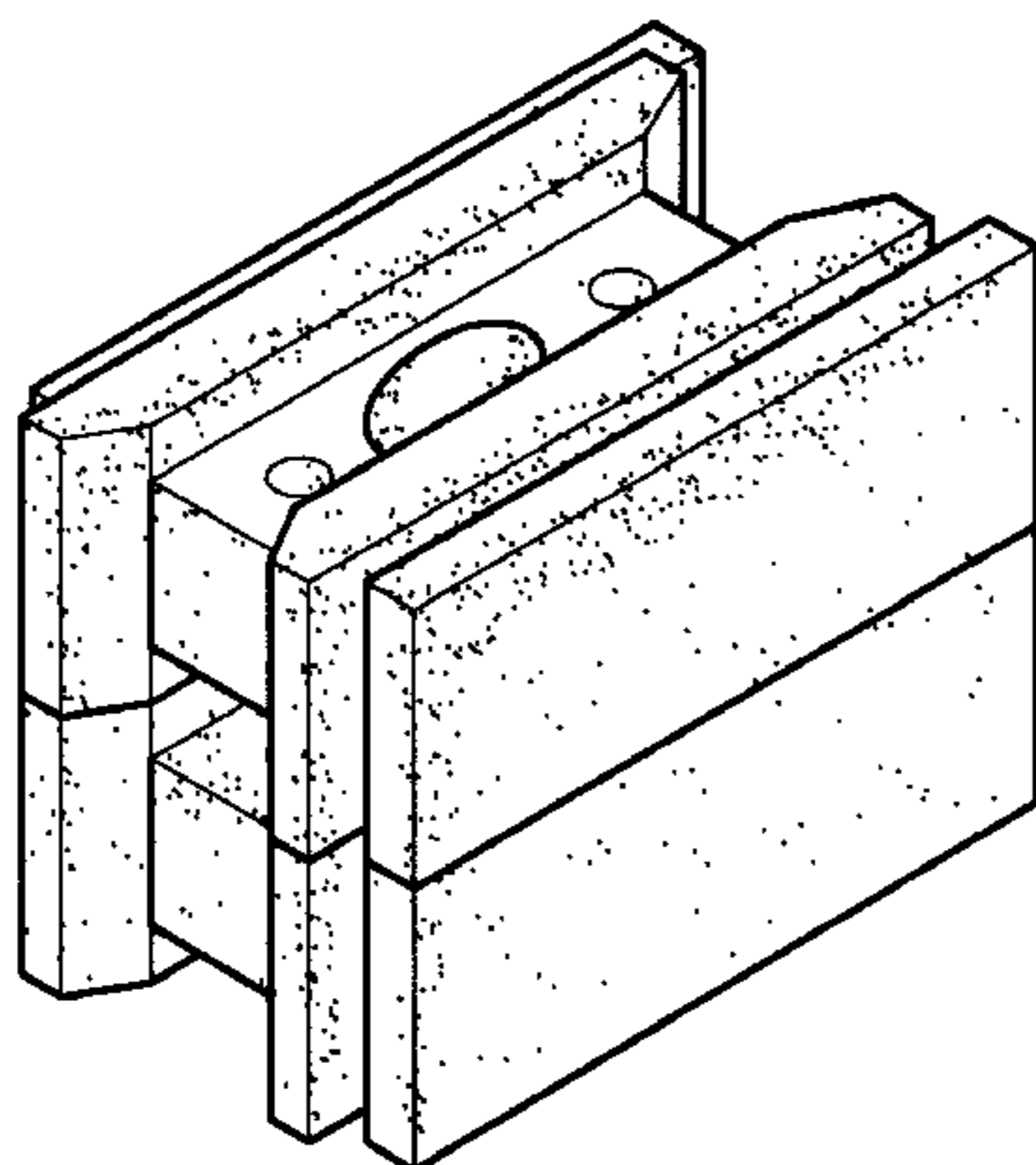
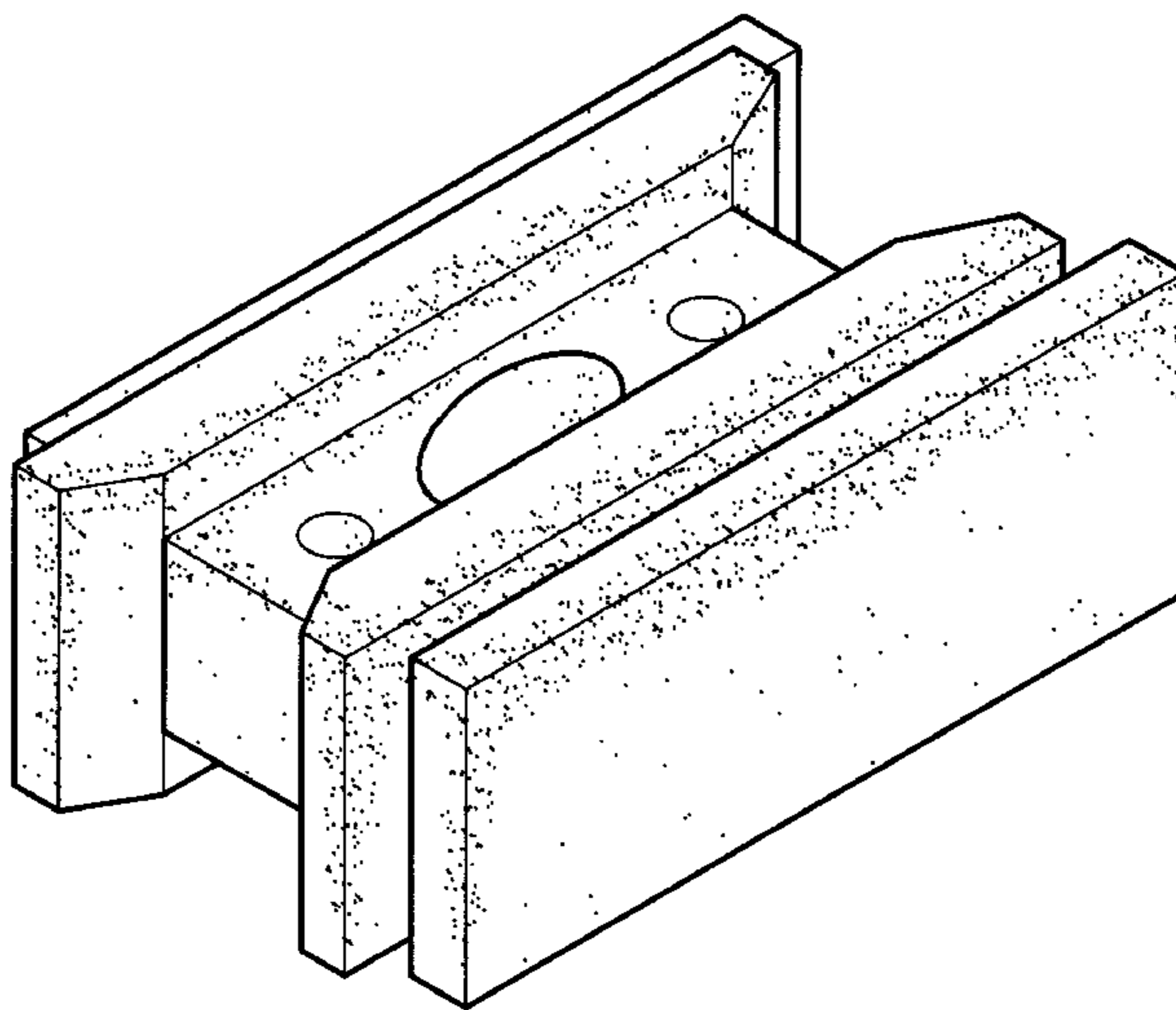
FIG. 8 is a perspective view of a second embodiment of a brick shown on a reduced scale, it being understood that the rear and opposite of the front and side shown and that bottom are the same as the first embodiment shown in FIG. 5.

[56] References Cited

U.S. PATENT DOCUMENTS

D. 250,898	1/1979	Schuring	D25/113
D. 333,354	2/1993	Adams	D25/118
D. 381,437	7/1997	Browning	D25/113
783,452	2/1905	Morenus	D25/113
1,592,476	7/1926	Torrecelli	52/592.1
1,807,138	5/1931	Spelshouse	52/606
2,351,768	6/1944	Kaping	D25/113
4,498,266	2/1985	Perreton	52/596
4,608,795	9/1986	Neuschaeffer et al.	52/596

1 Claim, 8 Drawing Sheets



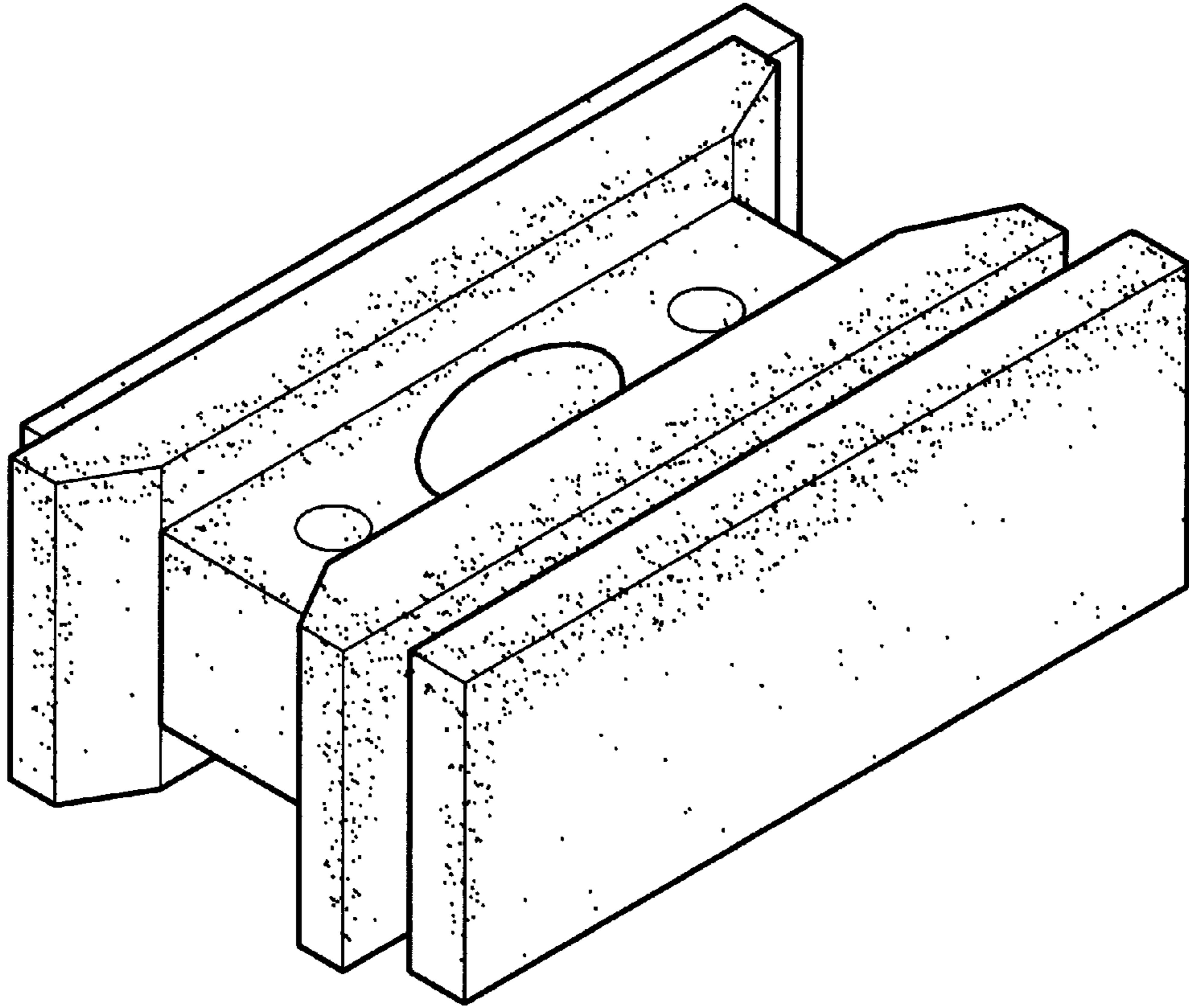


FIG. 1

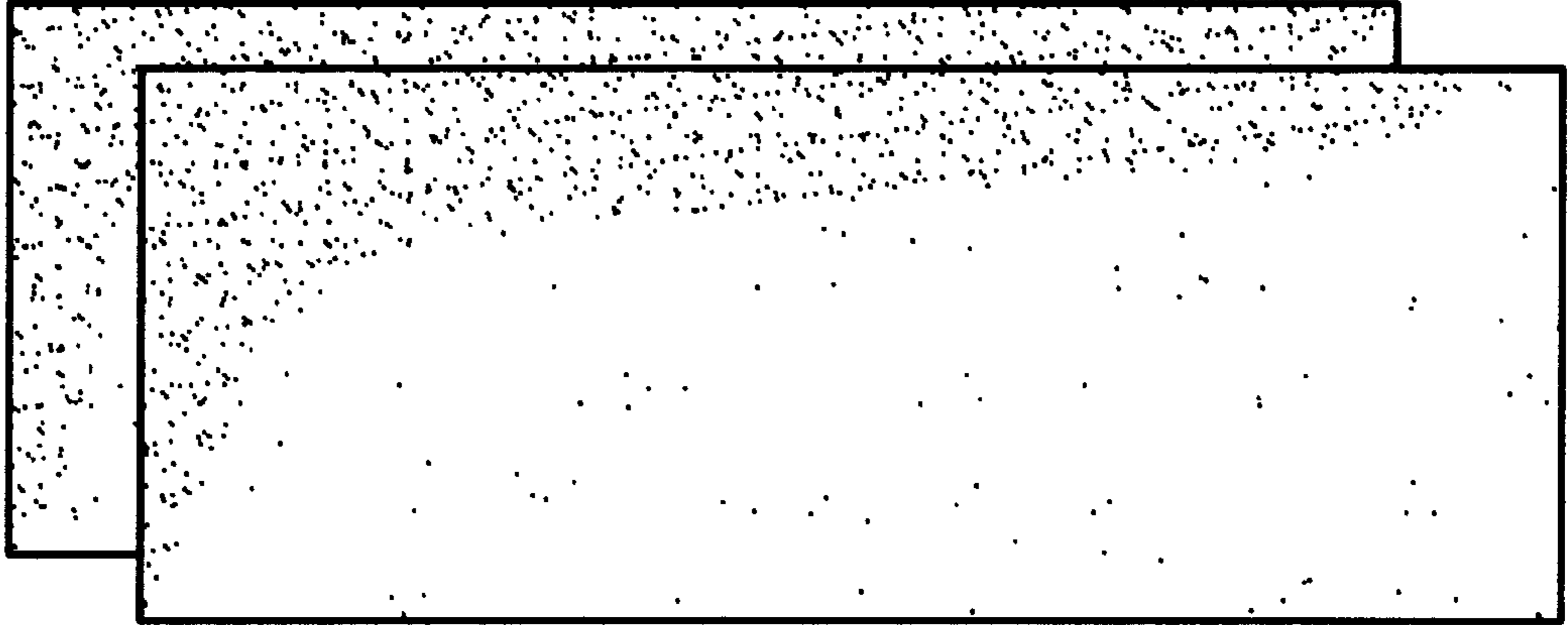


FIG. 2

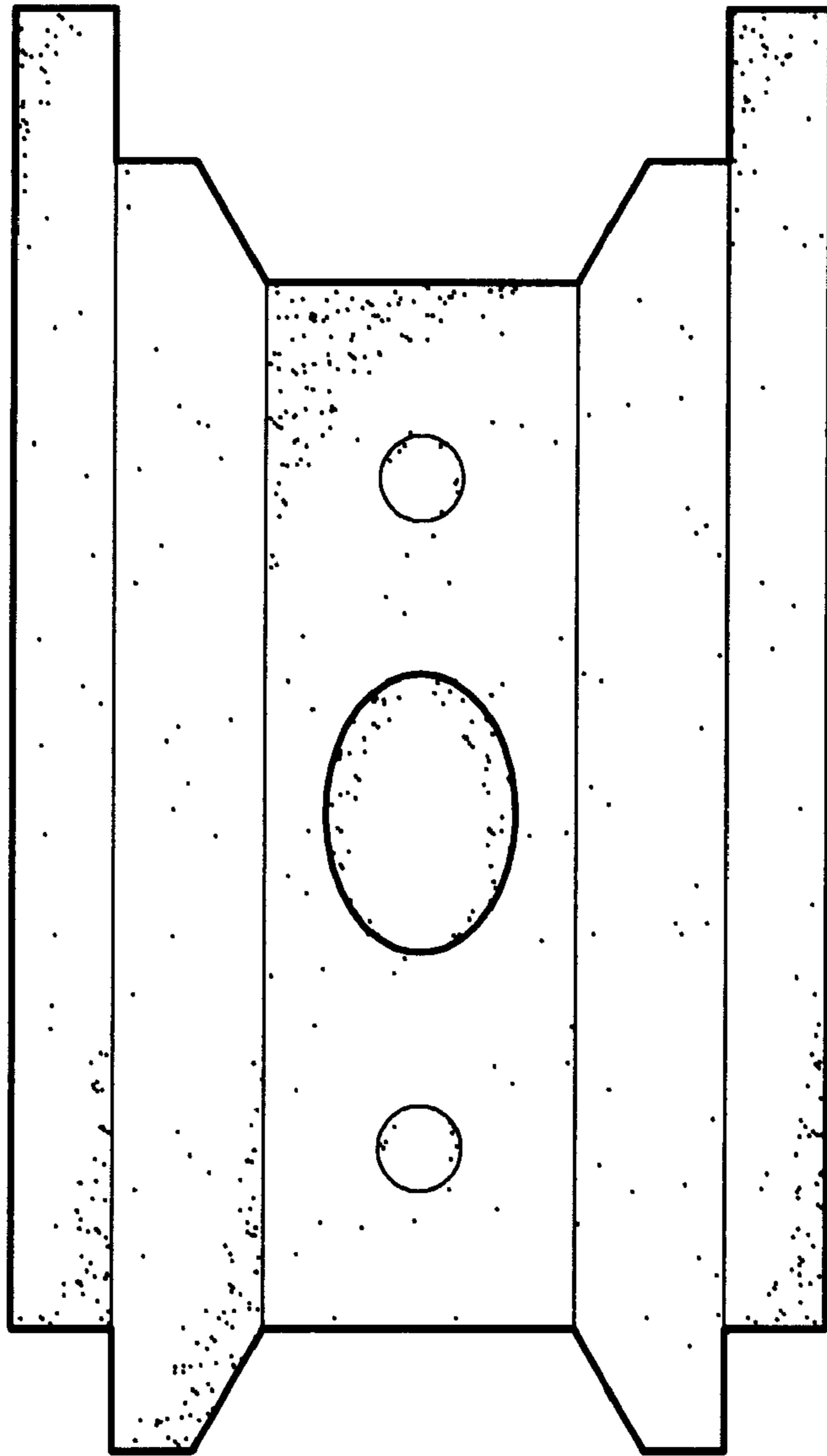


FIG. 3

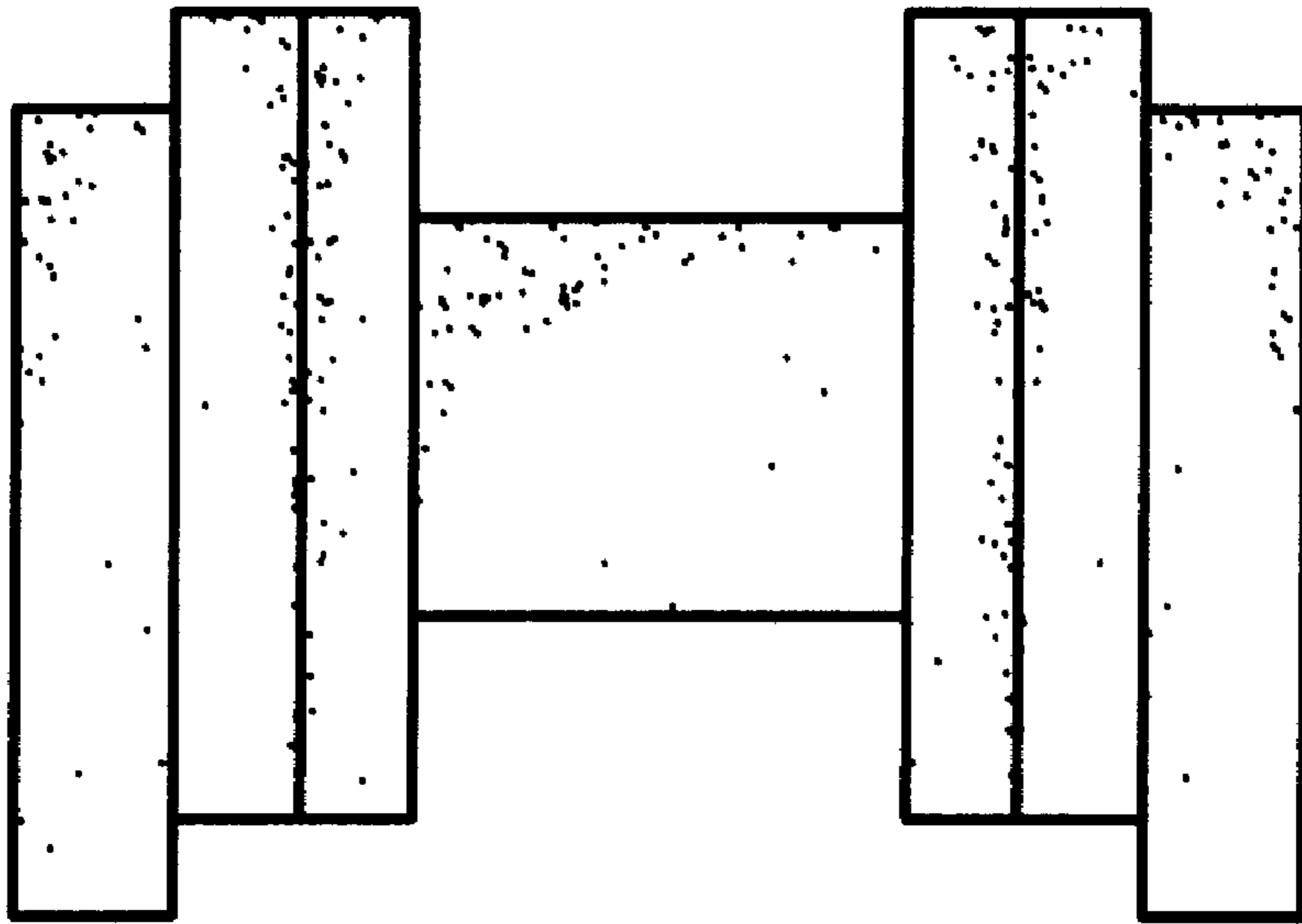


FIG. 4

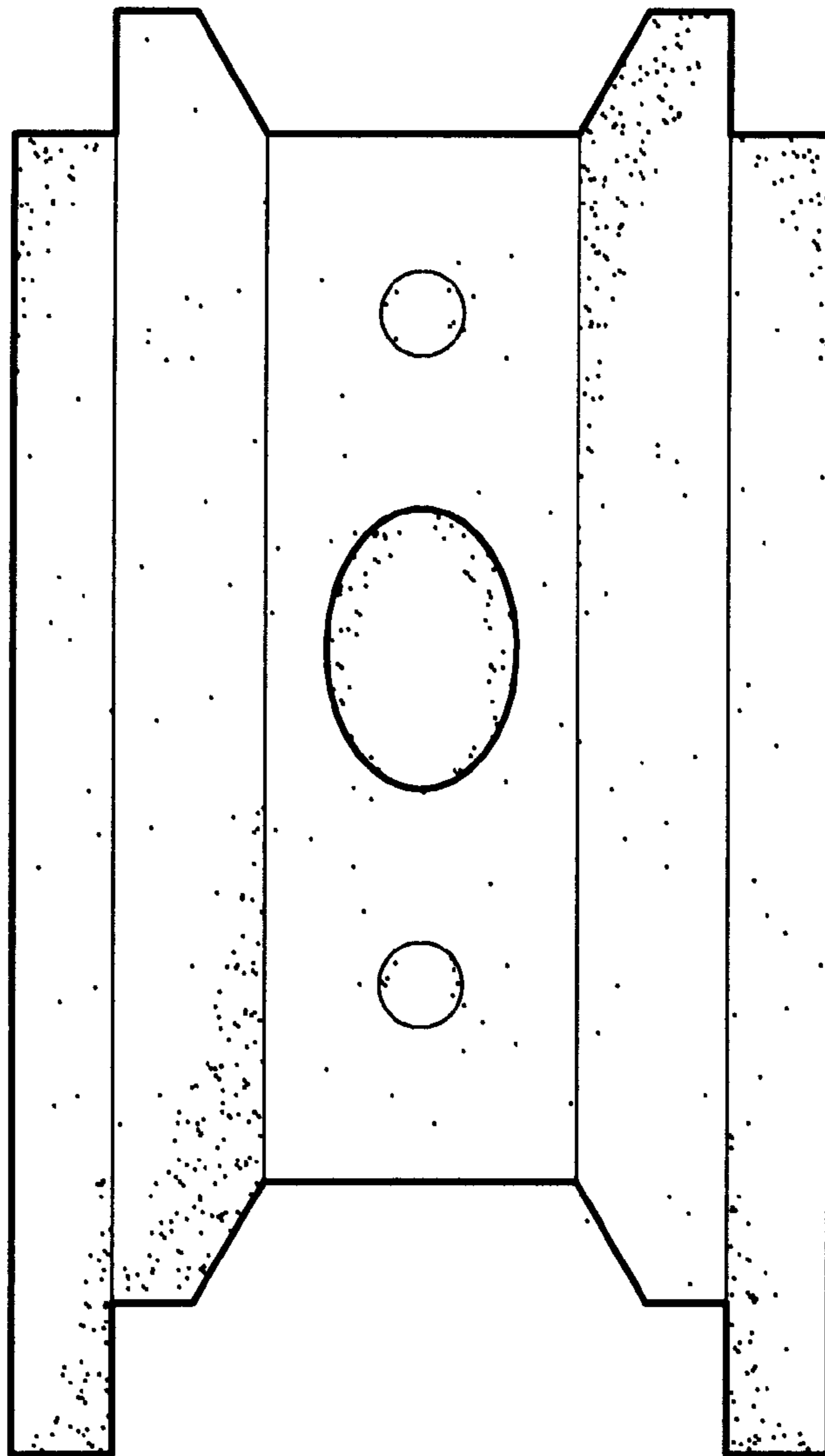


FIG. 5

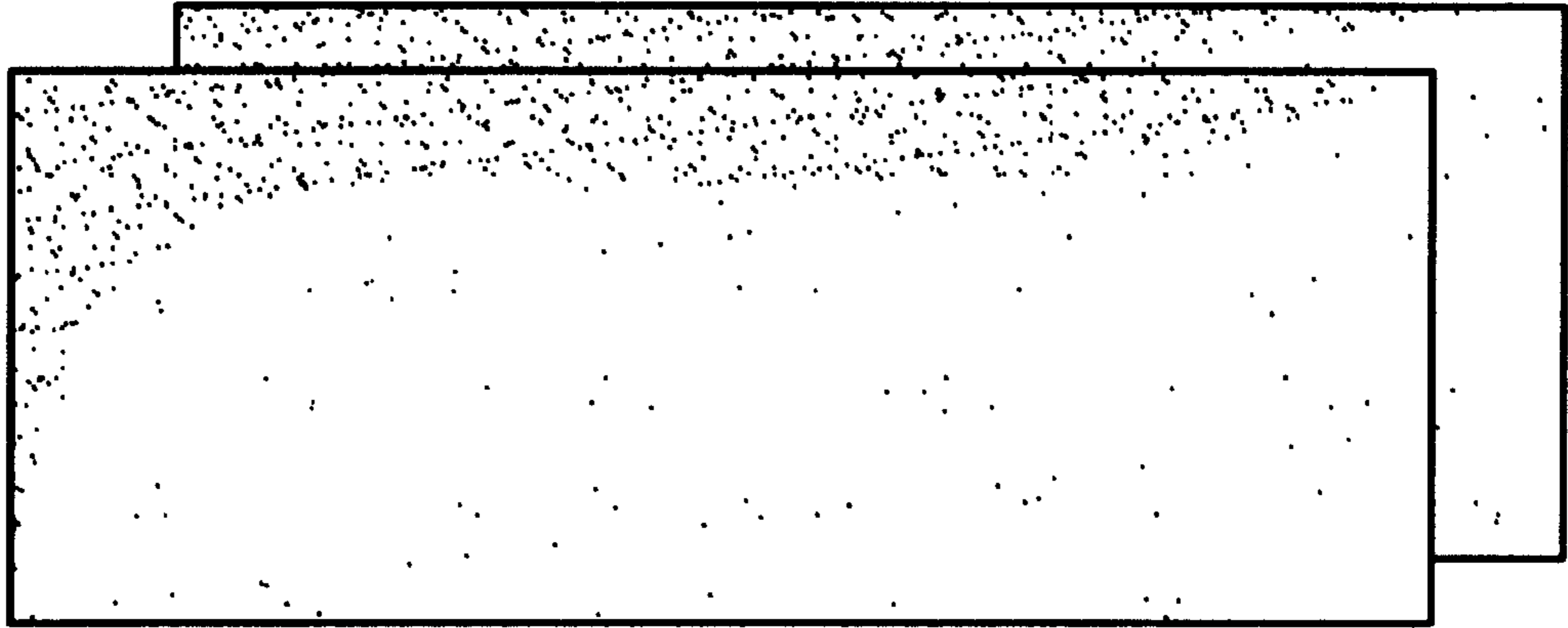


FIG. 6

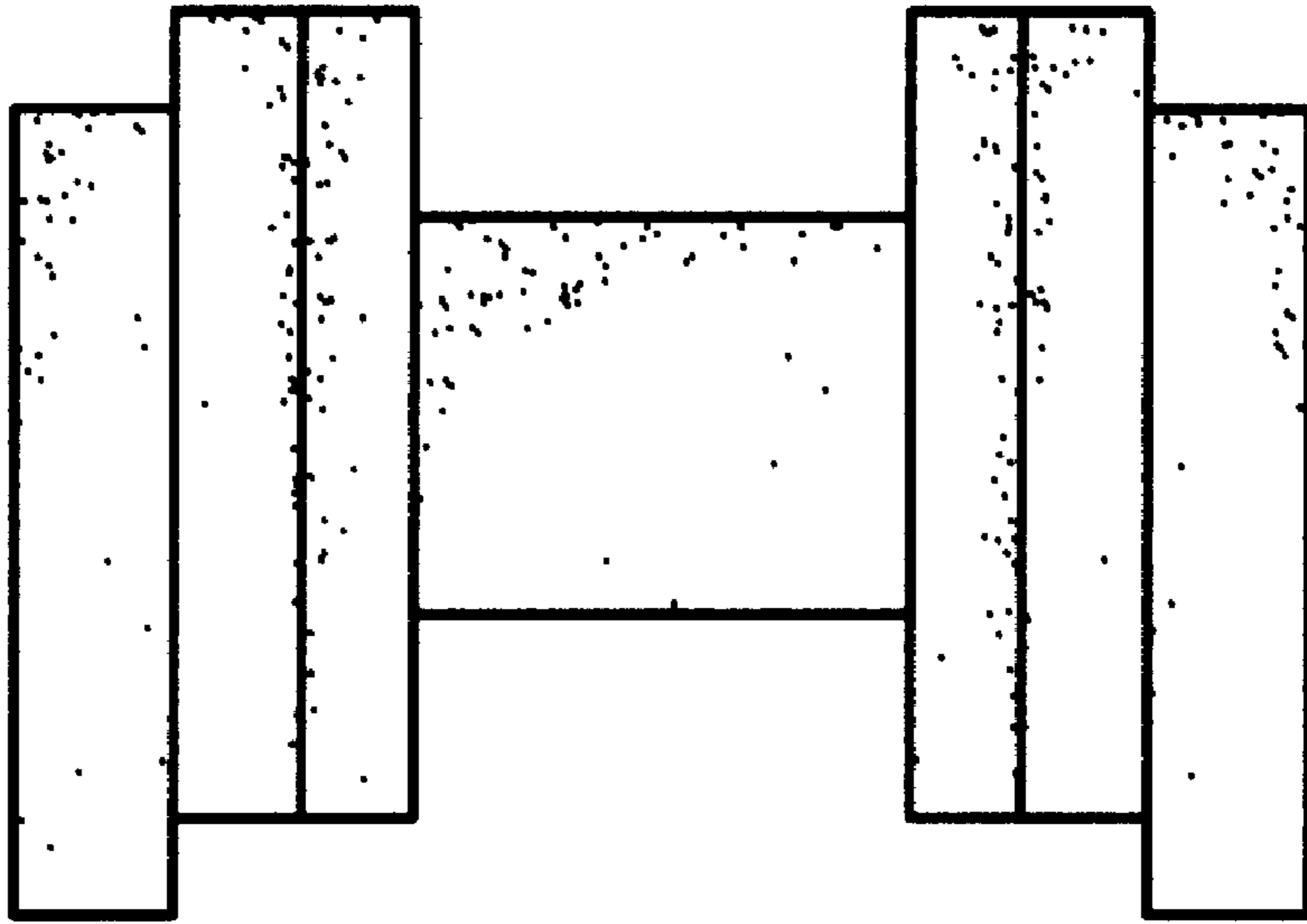


FIG. 7

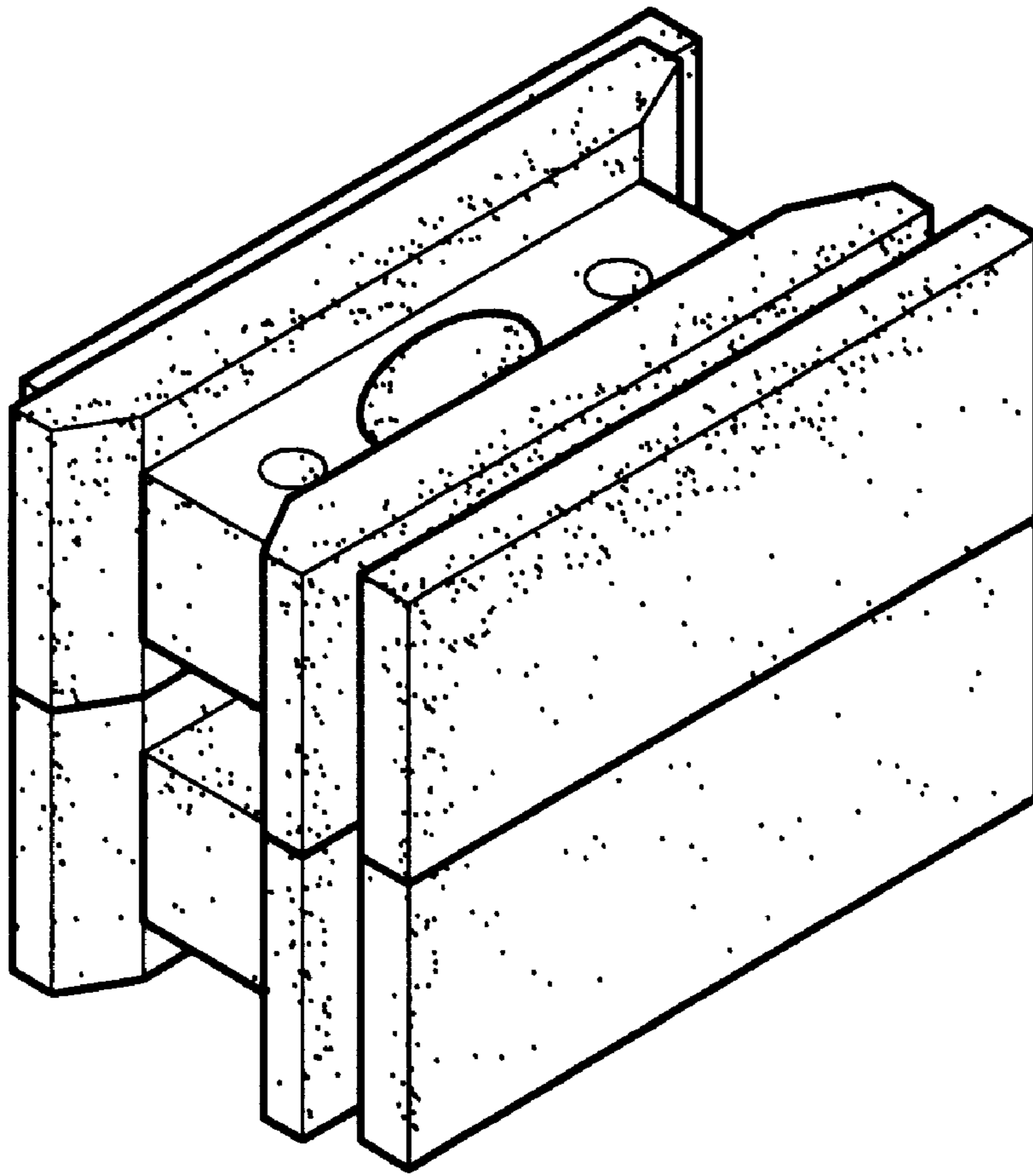


FIG. 8