



US00D429003S

**United States Patent** [19]  
**Takahashi**

[11] **Patent Number: Des. 429,003**

[45] **Date of Patent: \*\* Aug. 1, 2000**

[54] **STEP FOR CLIMBING WALL SURFACE**

[75] Inventor: **Eizo Takahashi**, Soka, Japan

[73] Assignee: **Miyama Kogyo Co., Ltd.**, Soka, Japan

[\*\*] Term: **14 Years**

[21] Appl. No.: **29/108,856**

[22] Filed: **Aug. 5, 1999**

[51] **LOC (7) Cl.** ..... **25-04**

[52] **U.S. Cl.** ..... **D25/69**

[58] **Field of Search** ..... D25/69; 182/90,  
182/92

[56] **References Cited**

**U.S. PATENT DOCUMENTS**

D. 304,376 10/1989 Robertson ..... D25/69  
4,869,342 9/1989 Borst ..... 182/90

*Primary Examiner*—Doris Clark

*Attorney, Agent, or Firm*—Oblon, Spivak, McClelland,  
Maier & Neustadt, P.C.

[57] **CLAIM**

The ornamental design for a step for climbing wall surface, as shown and described.

**DESCRIPTION**

FIG. 1 is a top, front and right side perspective view of the step for climbing wall surface showing my new design; FIG. 2 is a bottom, front and left side perspective view thereof;

FIG. 3 is a front elevational view thereof;

FIG. 4 is a rear elevational view thereof;

FIG. 5 is a right side elevational view thereof;

FIG. 6 is a left side elevational view thereof;

FIG. 7 is a top plan view thereof;

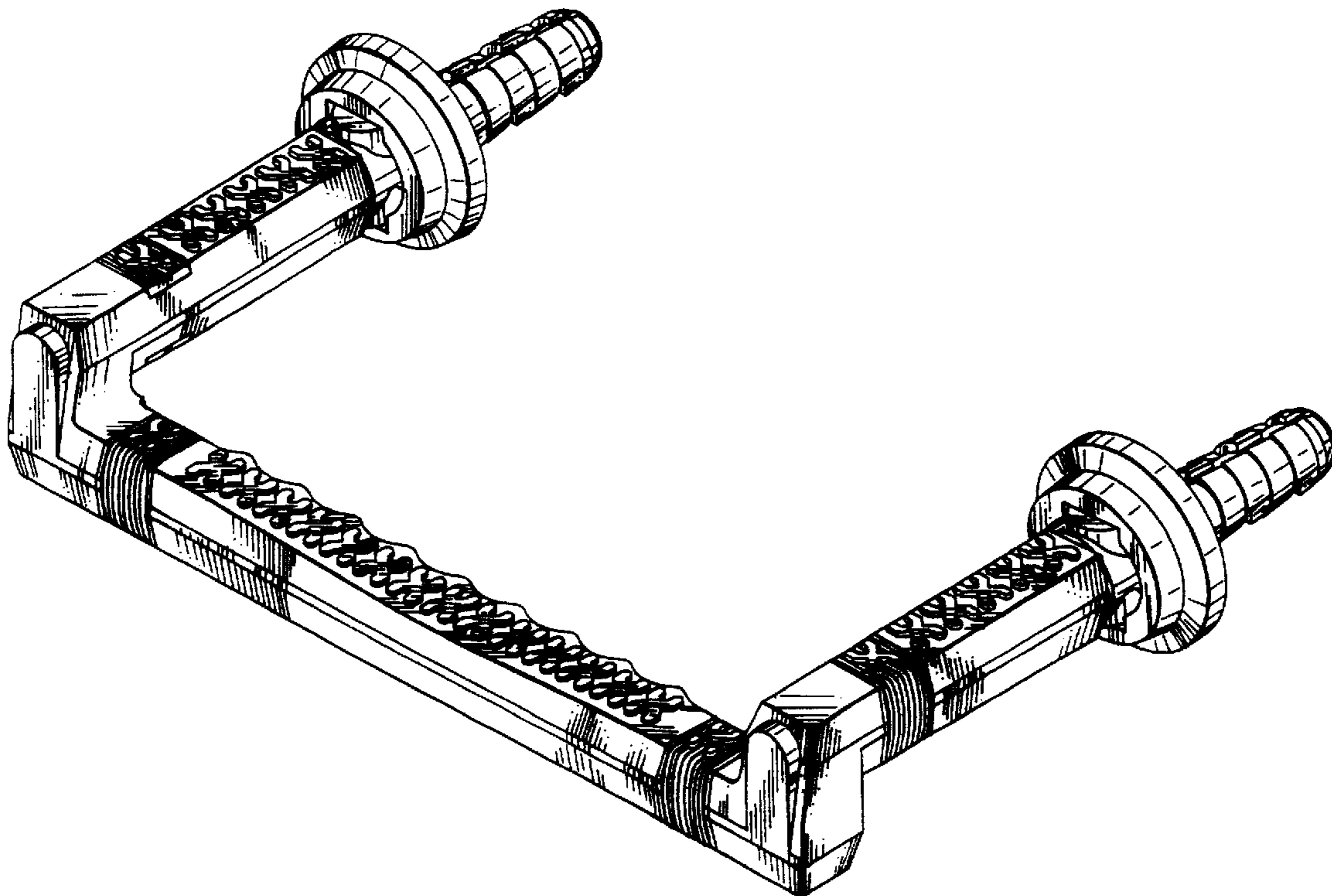
FIG. 8 is a bottom plan view thereof;

FIG. 9 is a top, front and right side perspective view of the second embodiment of the step for climbing wall surface;

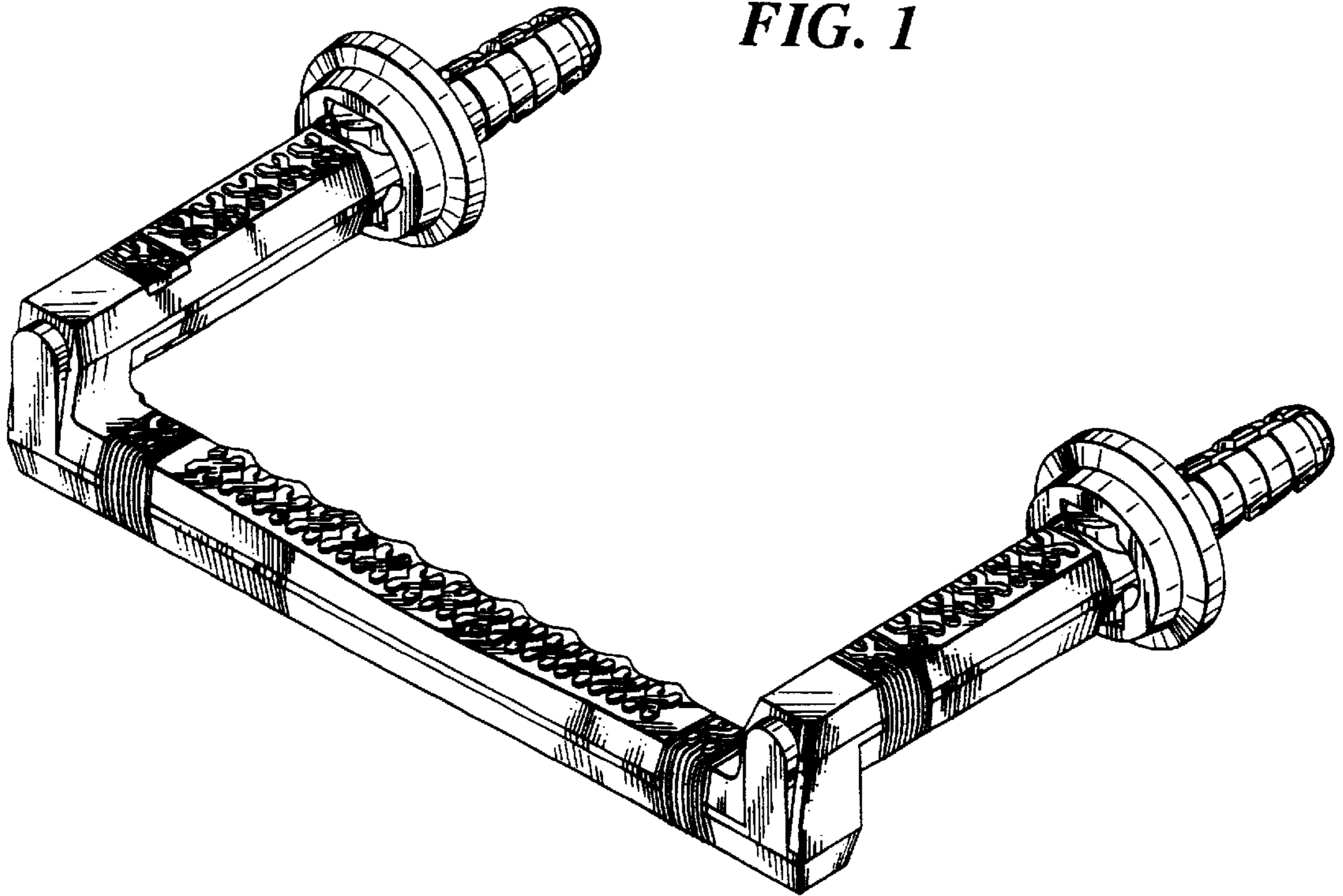
FIG. 10 is a bottom, front and left side perspective view thereof; and,

FIG. 11 is a rear elevational view thereof.

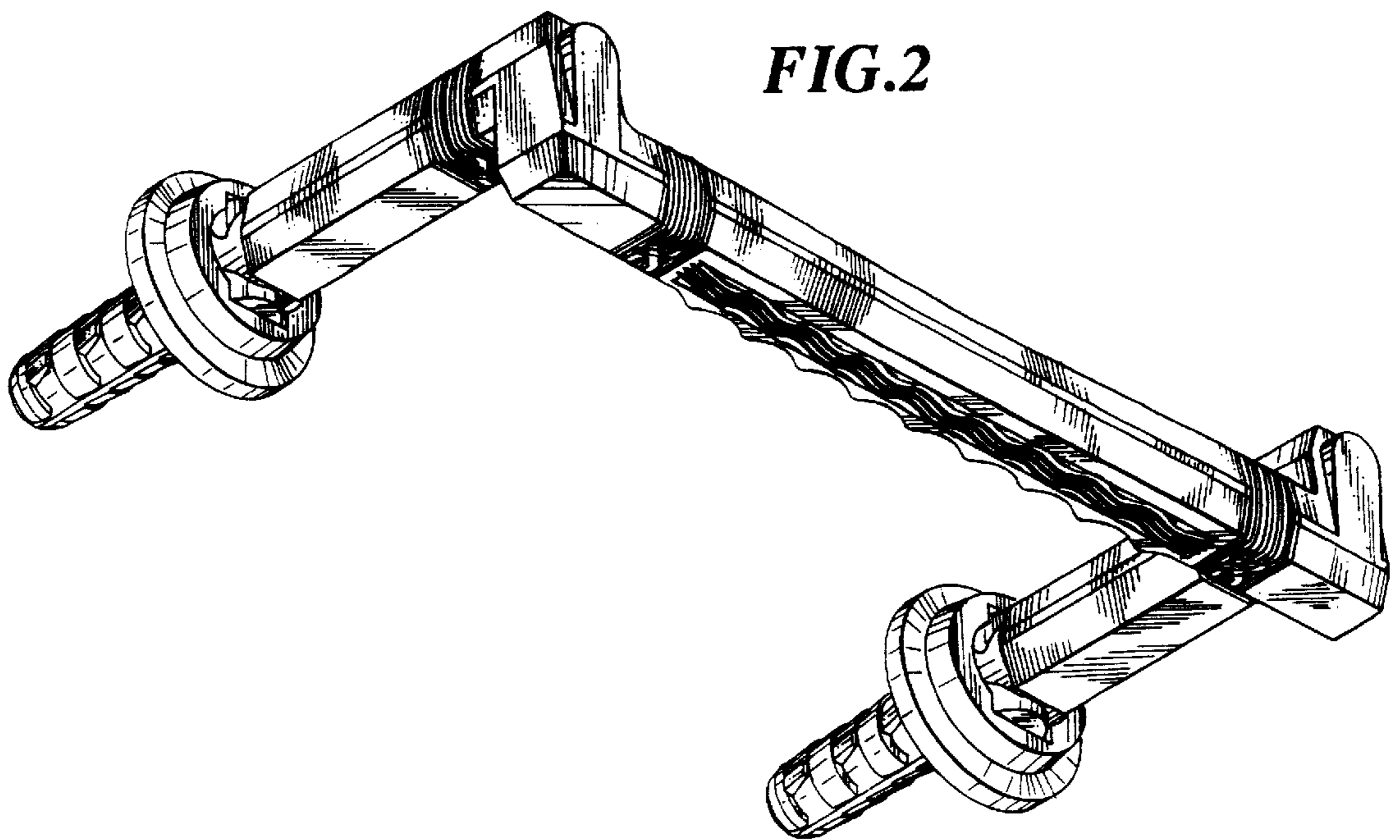
**1 Claim, 5 Drawing Sheets**



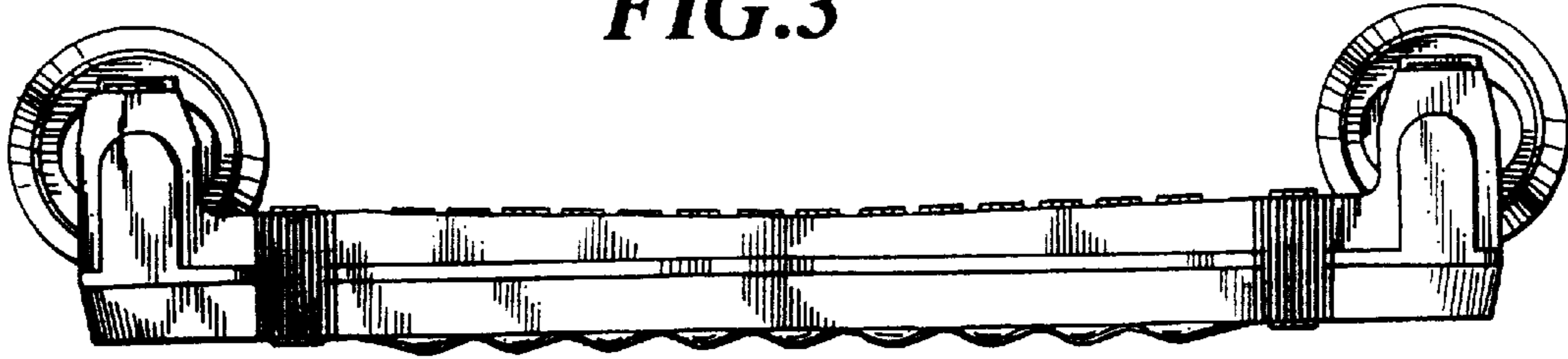
*FIG. 1*



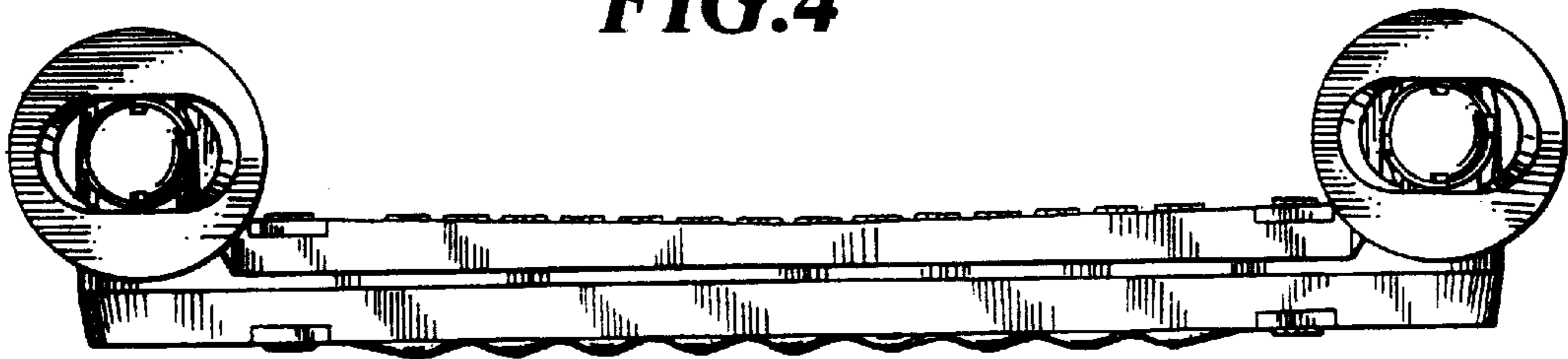
*FIG. 2*



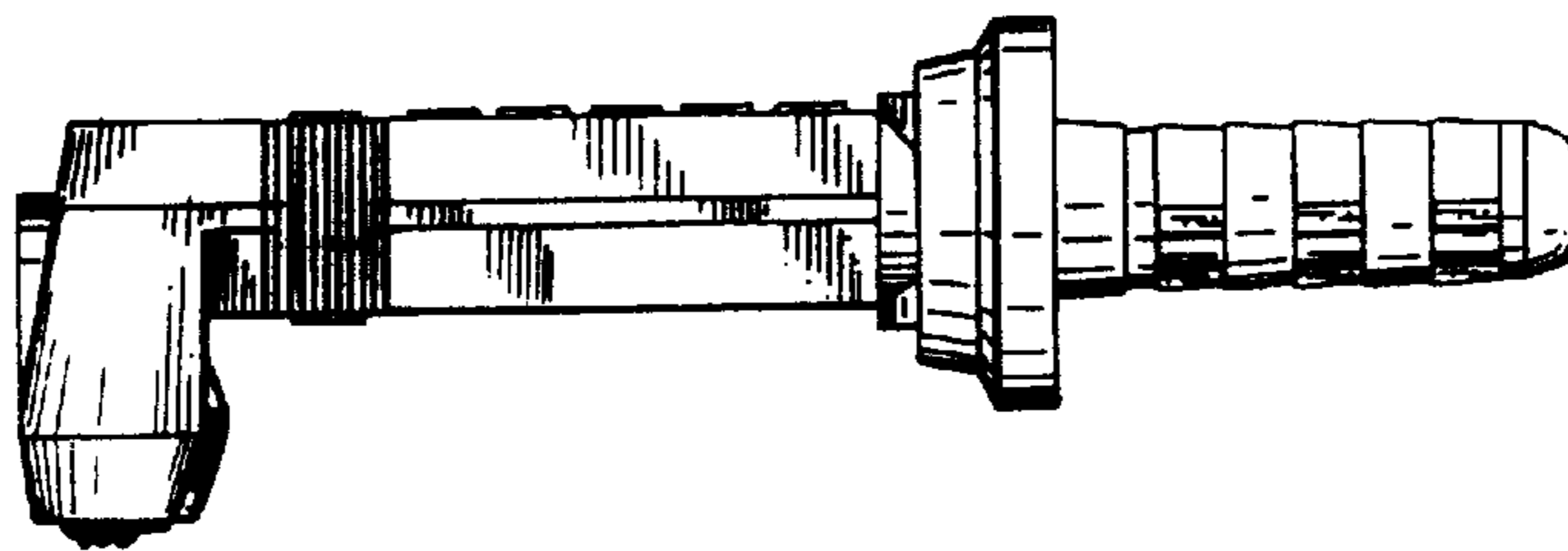
**FIG. 3**



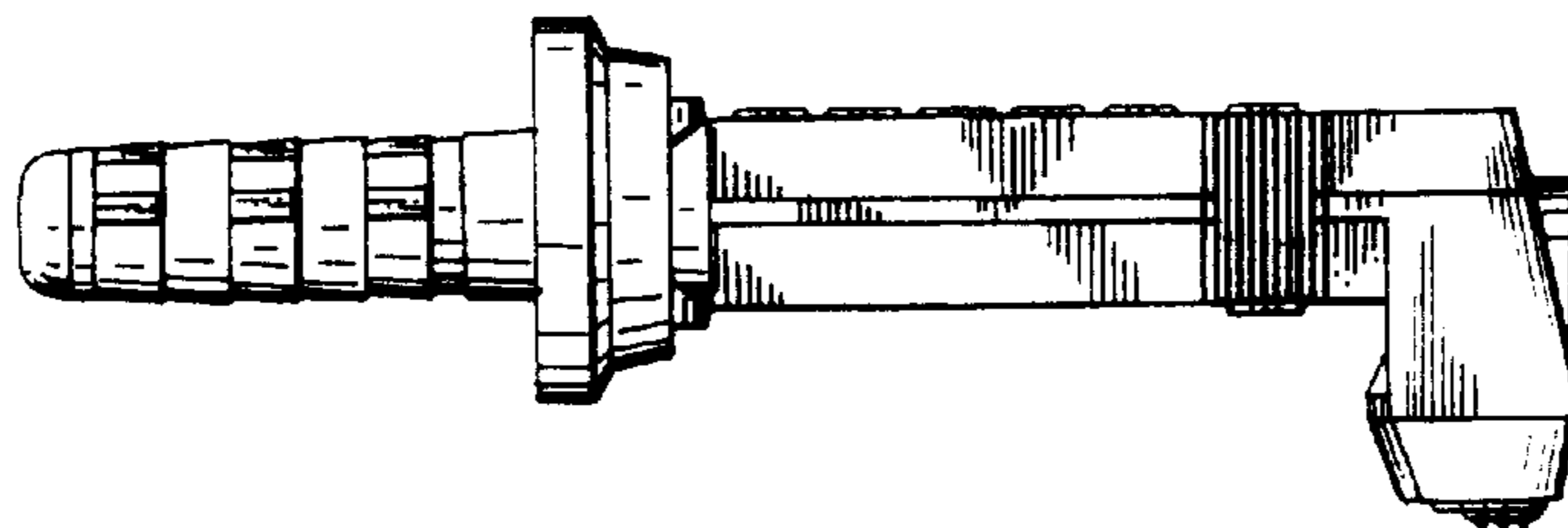
**FIG. 4**



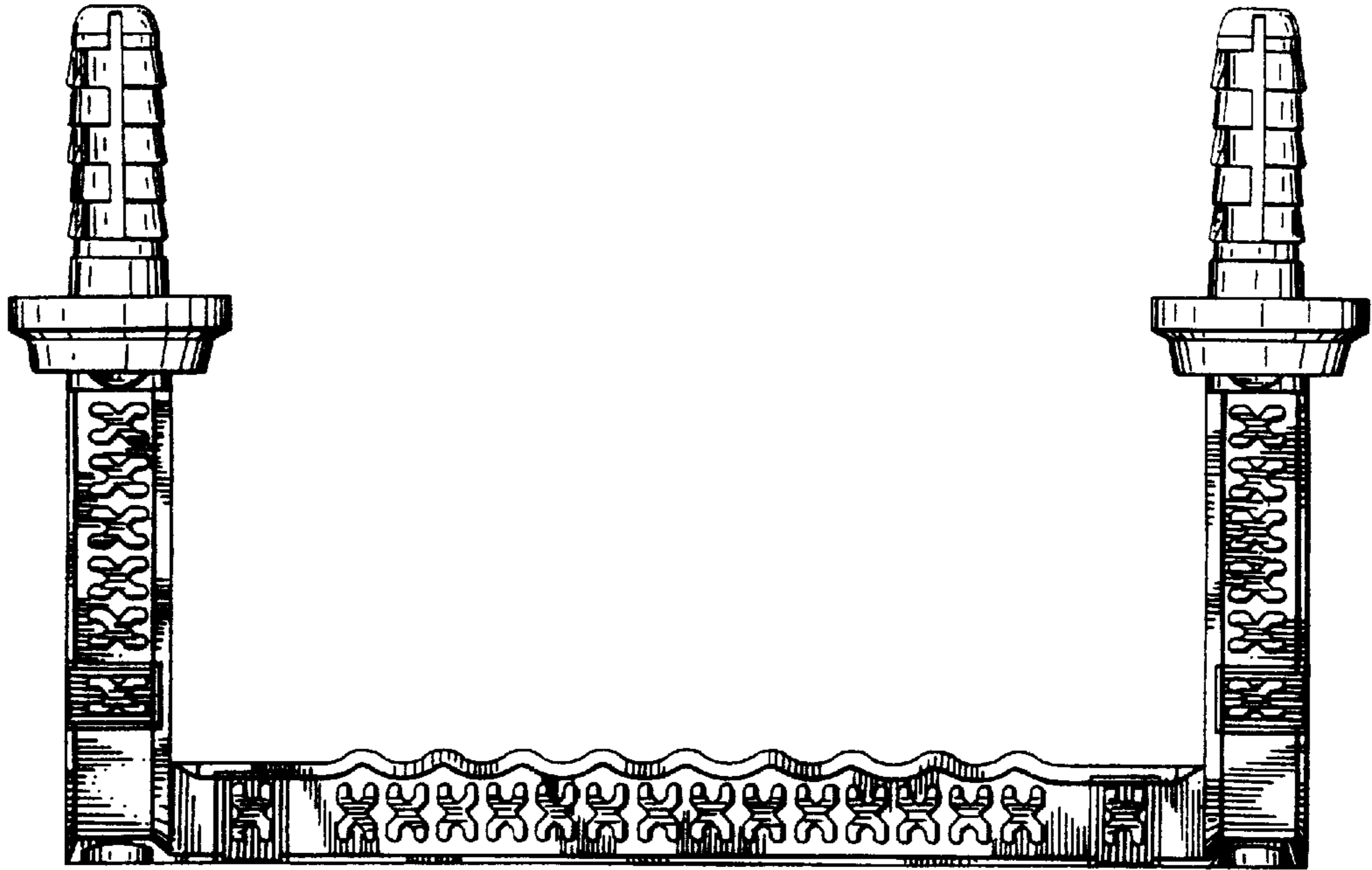
**FIG. 5**



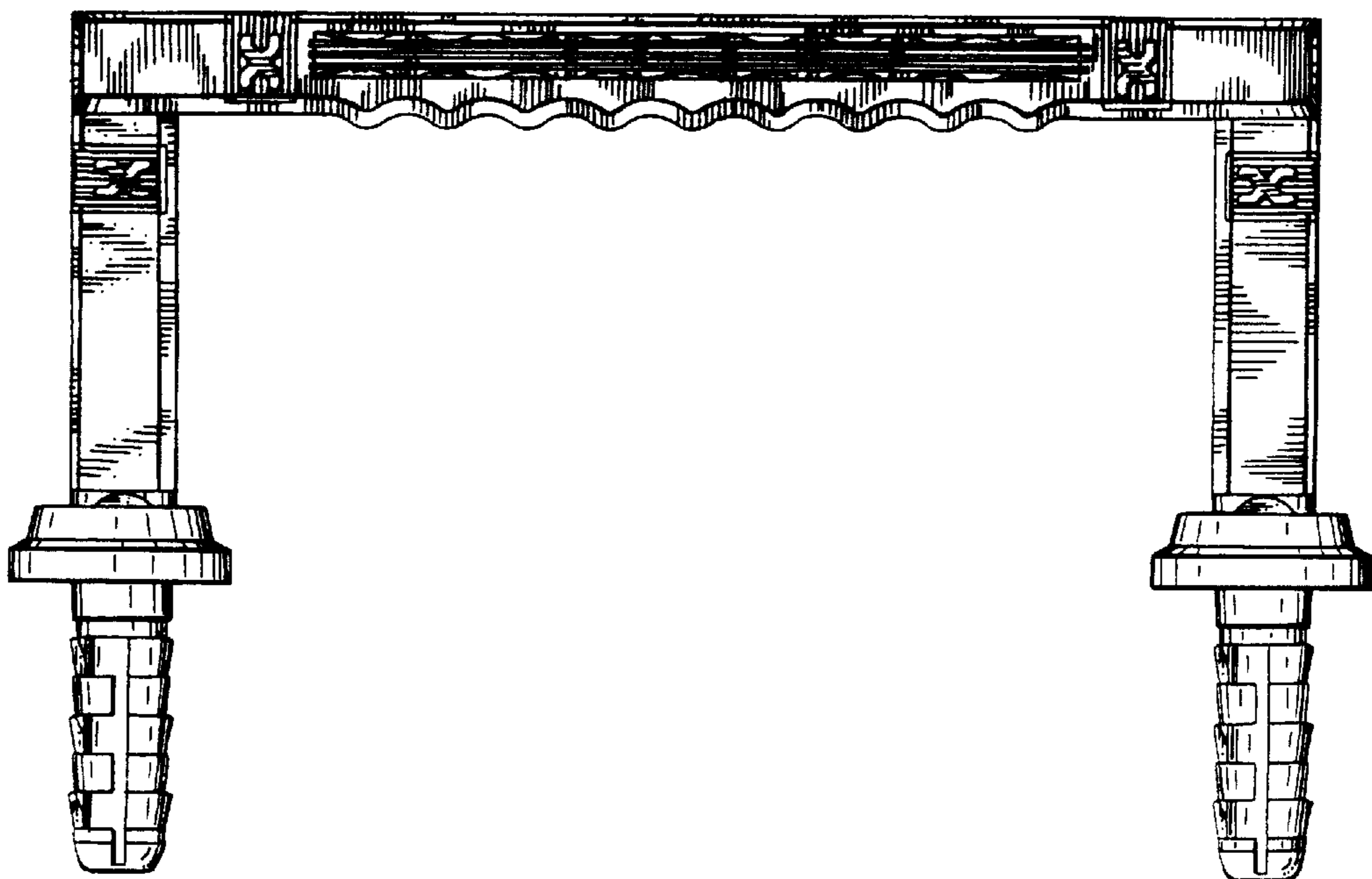
**FIG. 6**



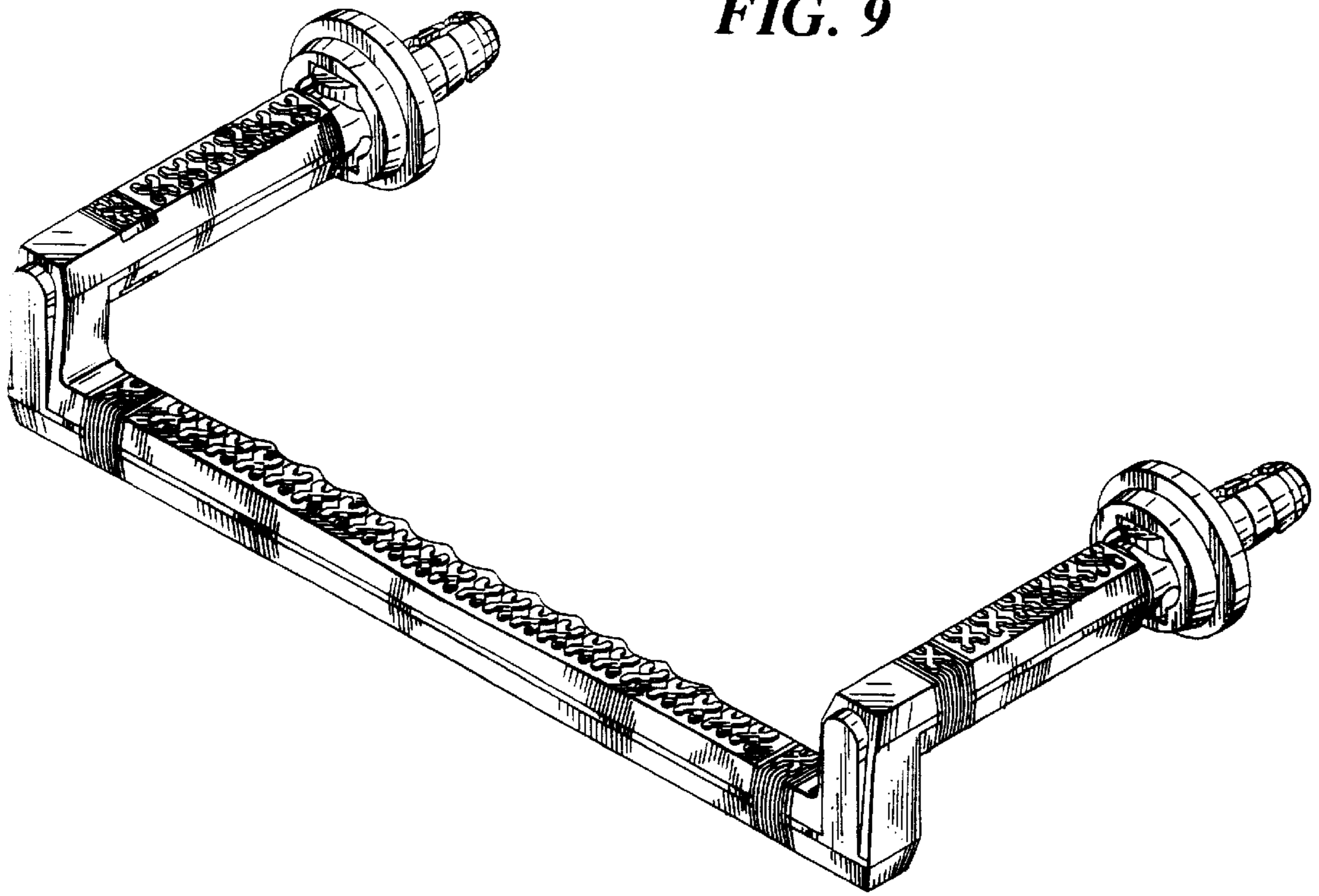
**FIG. 7**



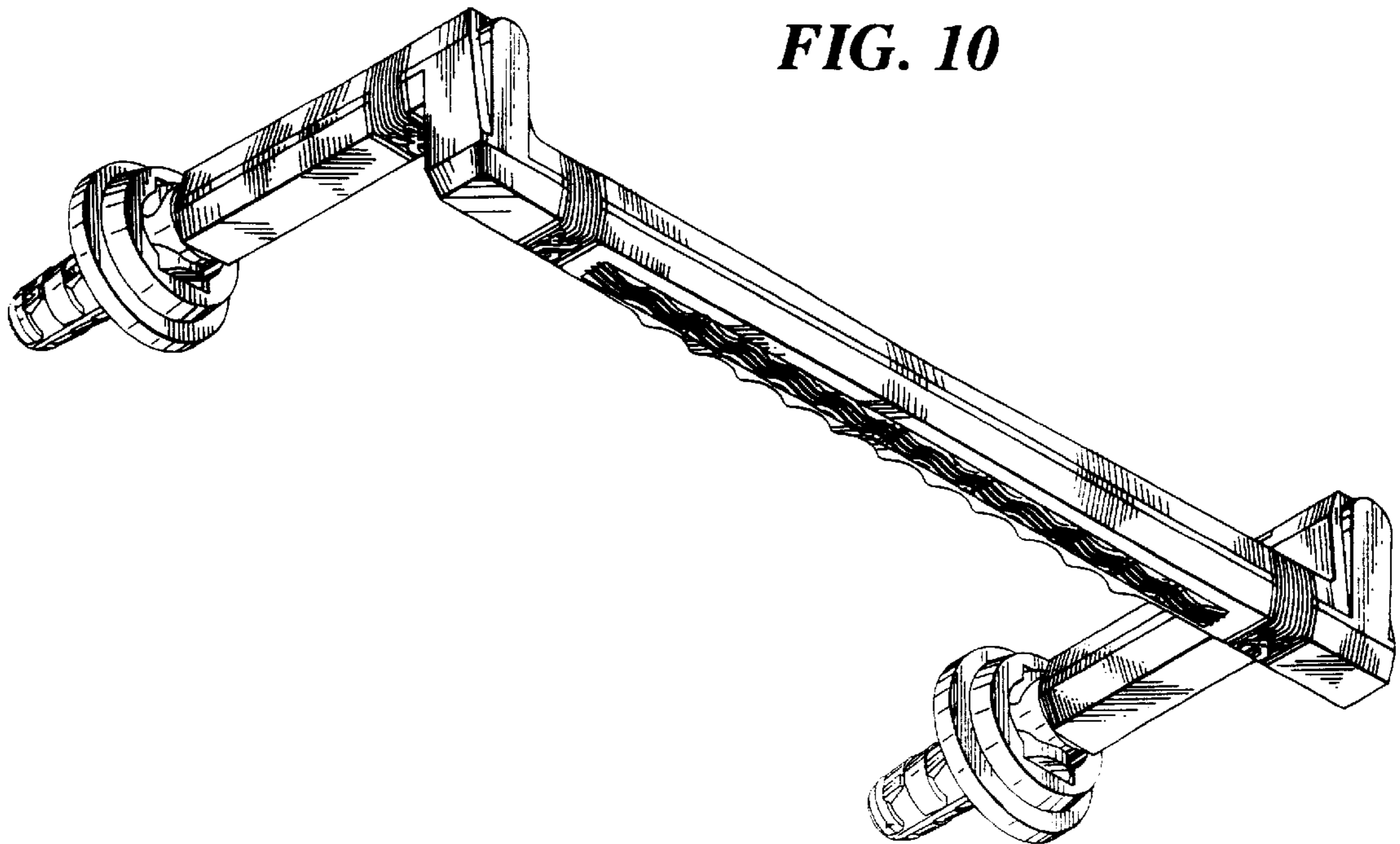
**FIG. 8**



**FIG. 9**



**FIG. 10**



*FIG. 11*

