



US00D429002S

United States Patent [19]
Takahashi

[11] **Patent Number: Des. 429,002**

[45] **Date of Patent: ** Aug. 1, 2000**

[54] **STEP FOR CLIMBING WALL SURFACE**

[75] Inventor: **Eizo Takahashi**, Soka, Japan

[73] Assignee: **Miyama Kogyo Co., Ltd.**, Soka, Japan

[**] Term: **14 Years**

[21] Appl. No.: **29/108,855**

[22] Filed: **Aug. 5, 1999**

[51] **LOC (7) Cl.** **25-04**

[52] **U.S. Cl.** **D25/69**

[58] **Field of Search** 182/90, 92; D25/69

[56] **References Cited**

U.S. PATENT DOCUMENTS

- D. 304,376 10/1989 Robertson D25/69
- 4,869,342 9/1989 Borst 182/90

Primary Examiner—Doris Clark

Attorney, Agent, or Firm—Oblon, Spivak, McClelland, Maier & Neustadt, P.C.

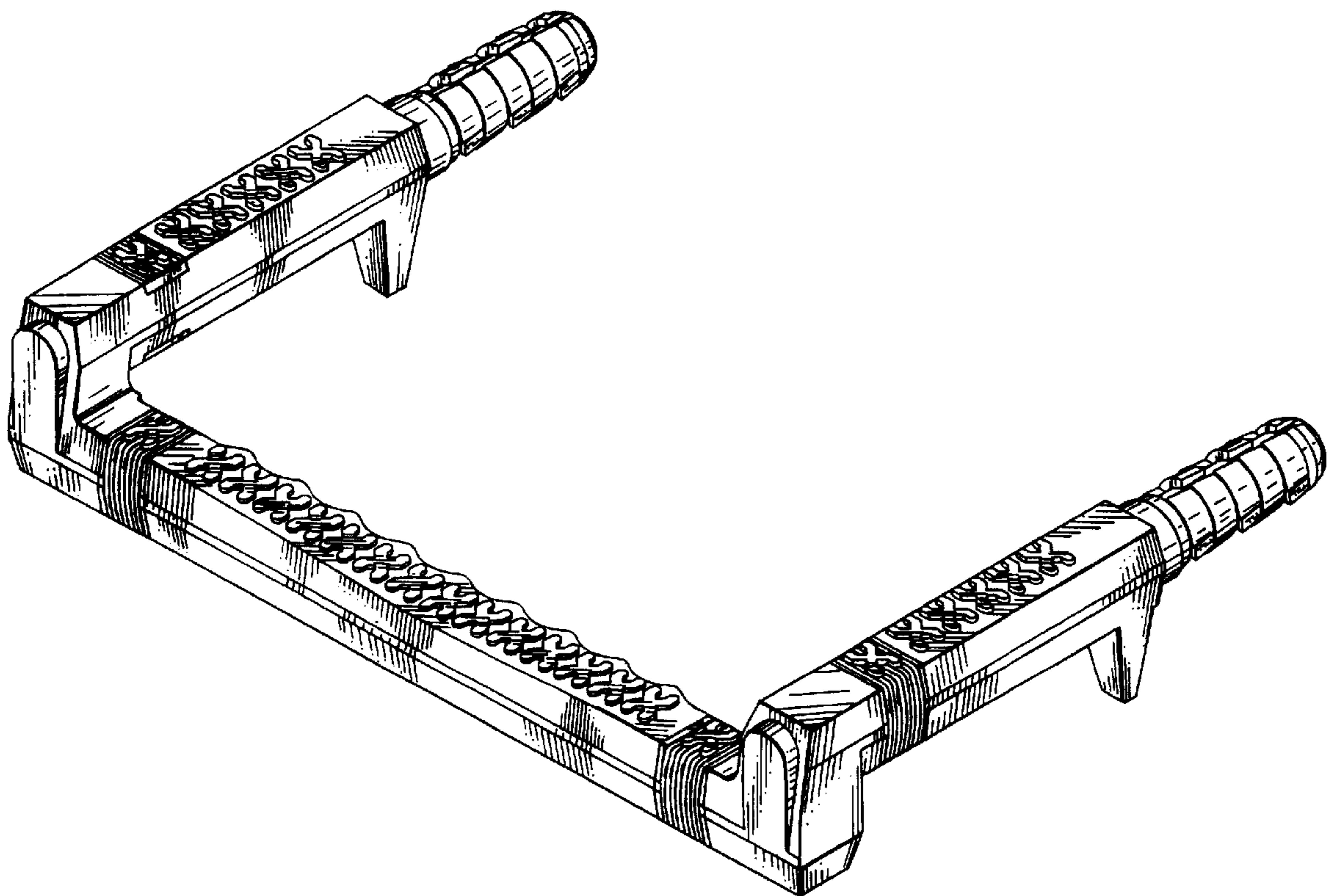
[57] **CLAIM**

The ornamental design for a step for climbing wall surface, as shown and described.

DESCRIPTION

FIG. 1 is a top, front and right side perspective view of a step for climbing wall surface showing my new design;
 FIG. 2 is a bottom, front and left side perspective view thereof;
 FIG. 3 is a front elevational view thereof;
 FIG. 4 is a rear elevational view thereof;
 FIG. 5 is a right side elevational view thereof;
 FIG. 6 is a left side elevational view thereof;
 FIG. 7 is a top plan view thereof;
 FIG. 8 is a bottom plan view thereof;
 FIG. 9 is a top, front and right side perspective view of the second embodiment of the step for climbing wall surface;
 FIG. 10 is a bottom, front and left side perspective view thereof; and,
 FIG. 11 is a rear elevational view thereof.

1 Claim, 5 Drawing Sheets



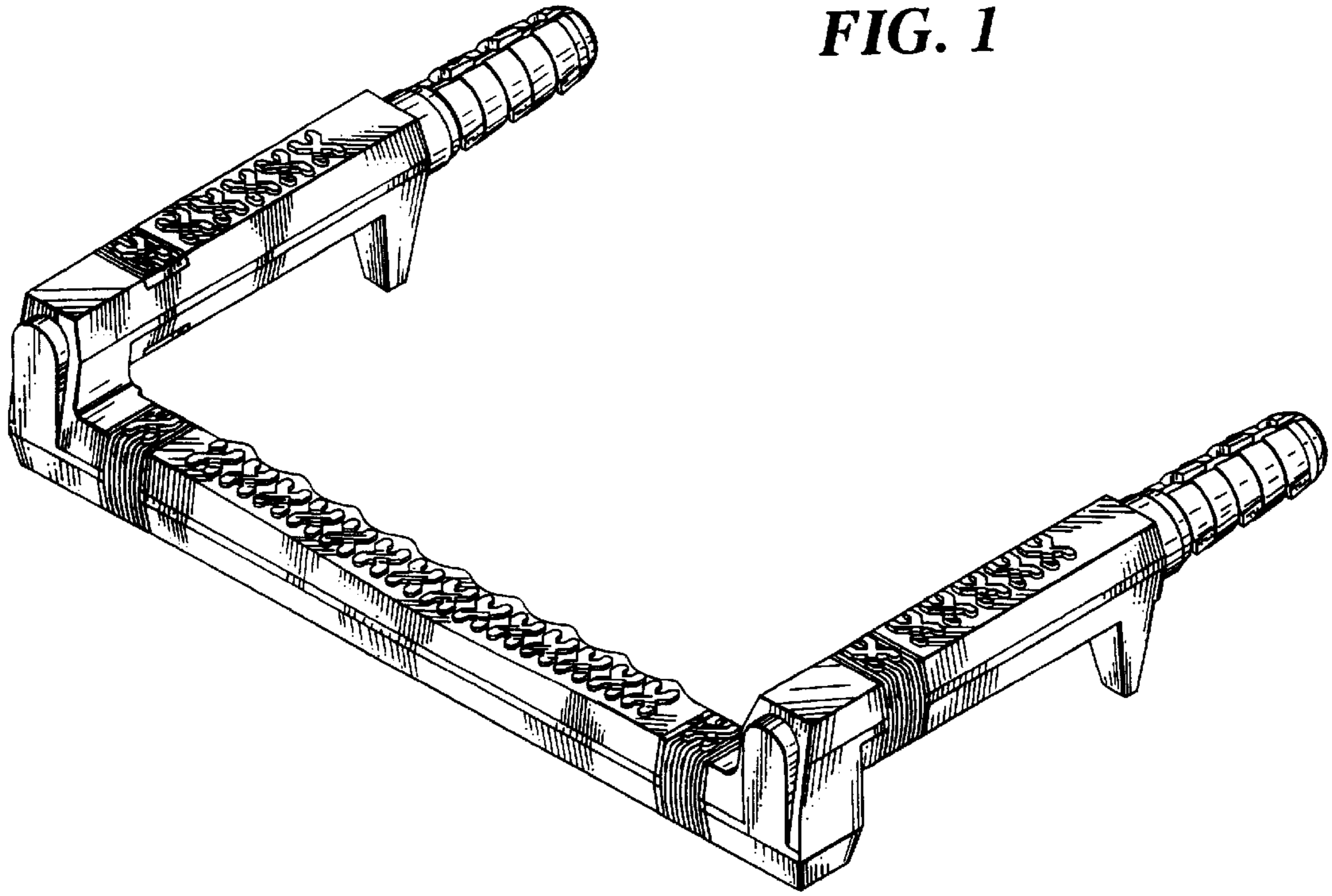


FIG. 1

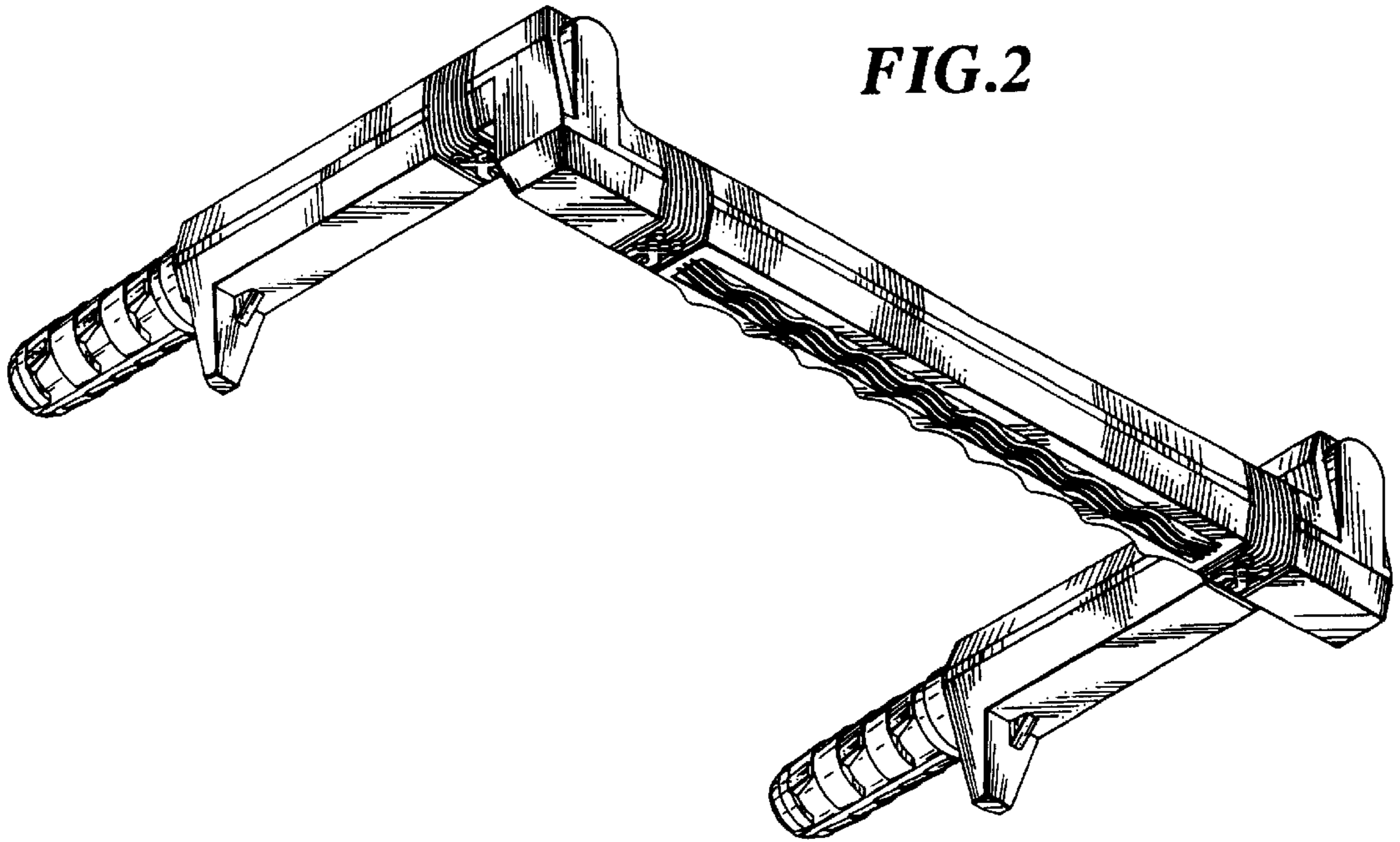


FIG. 2

FIG. 3

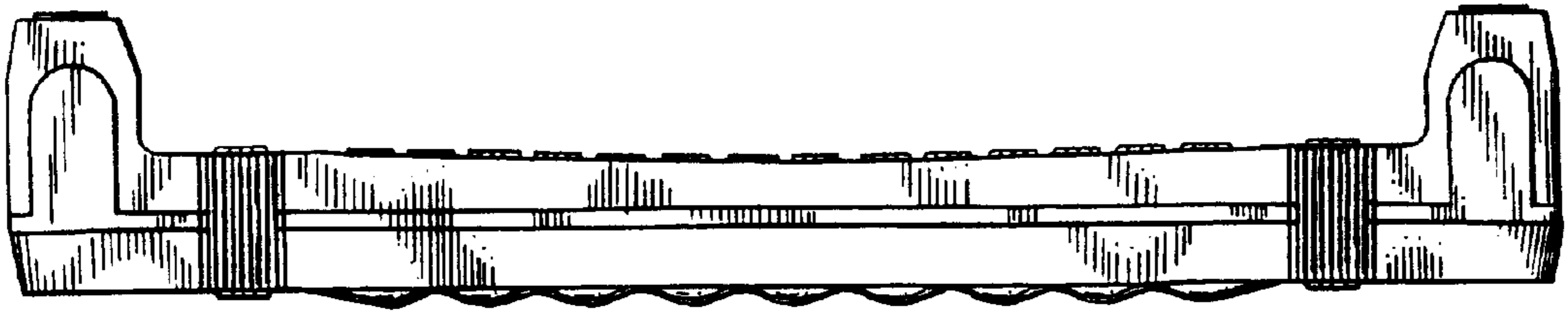


FIG. 4

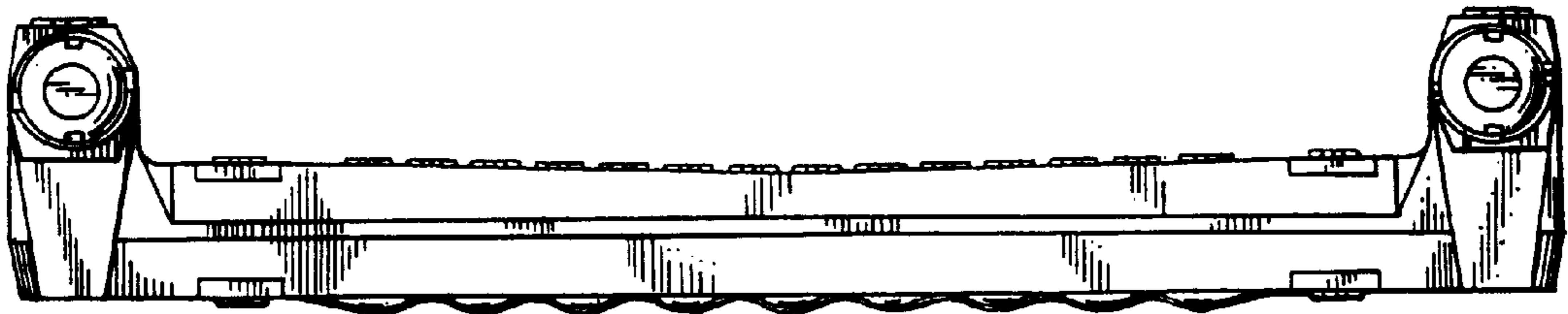


FIG. 5

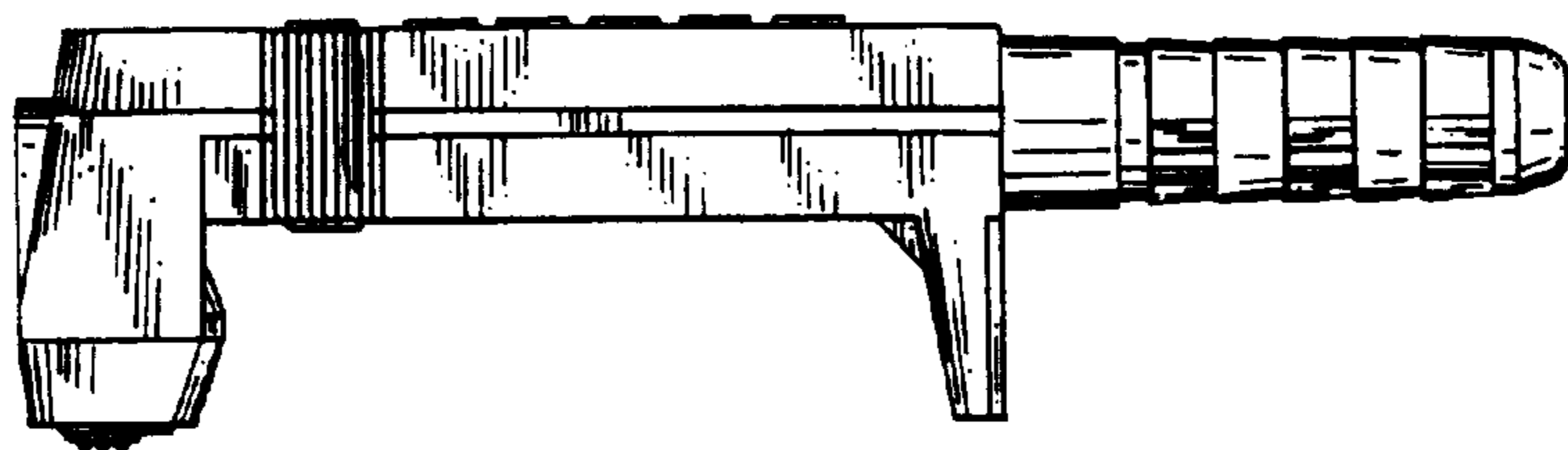


FIG. 6

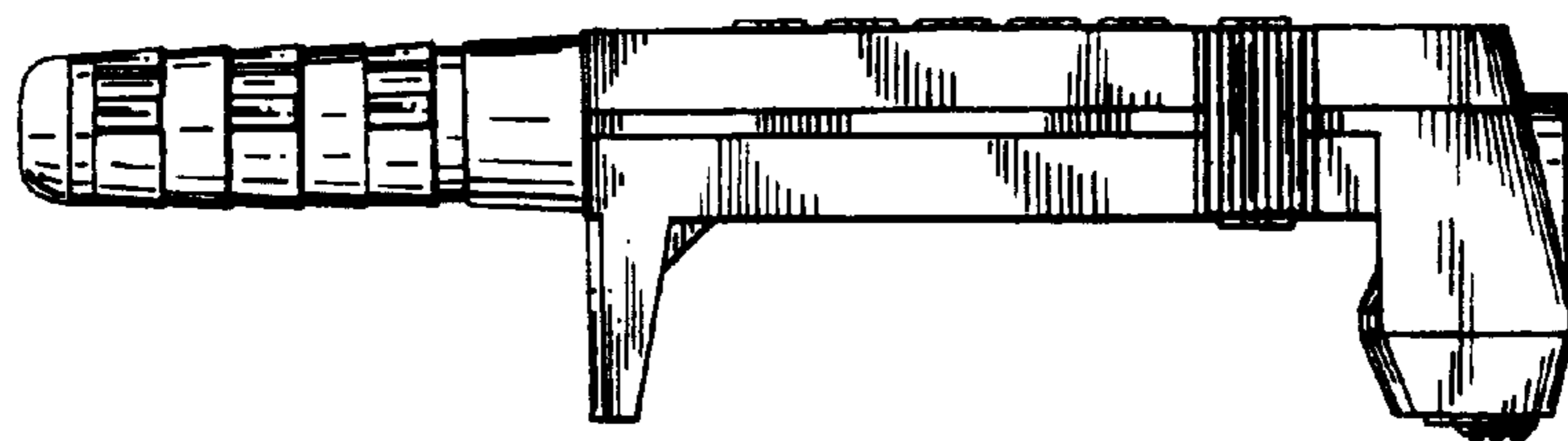


FIG. 7

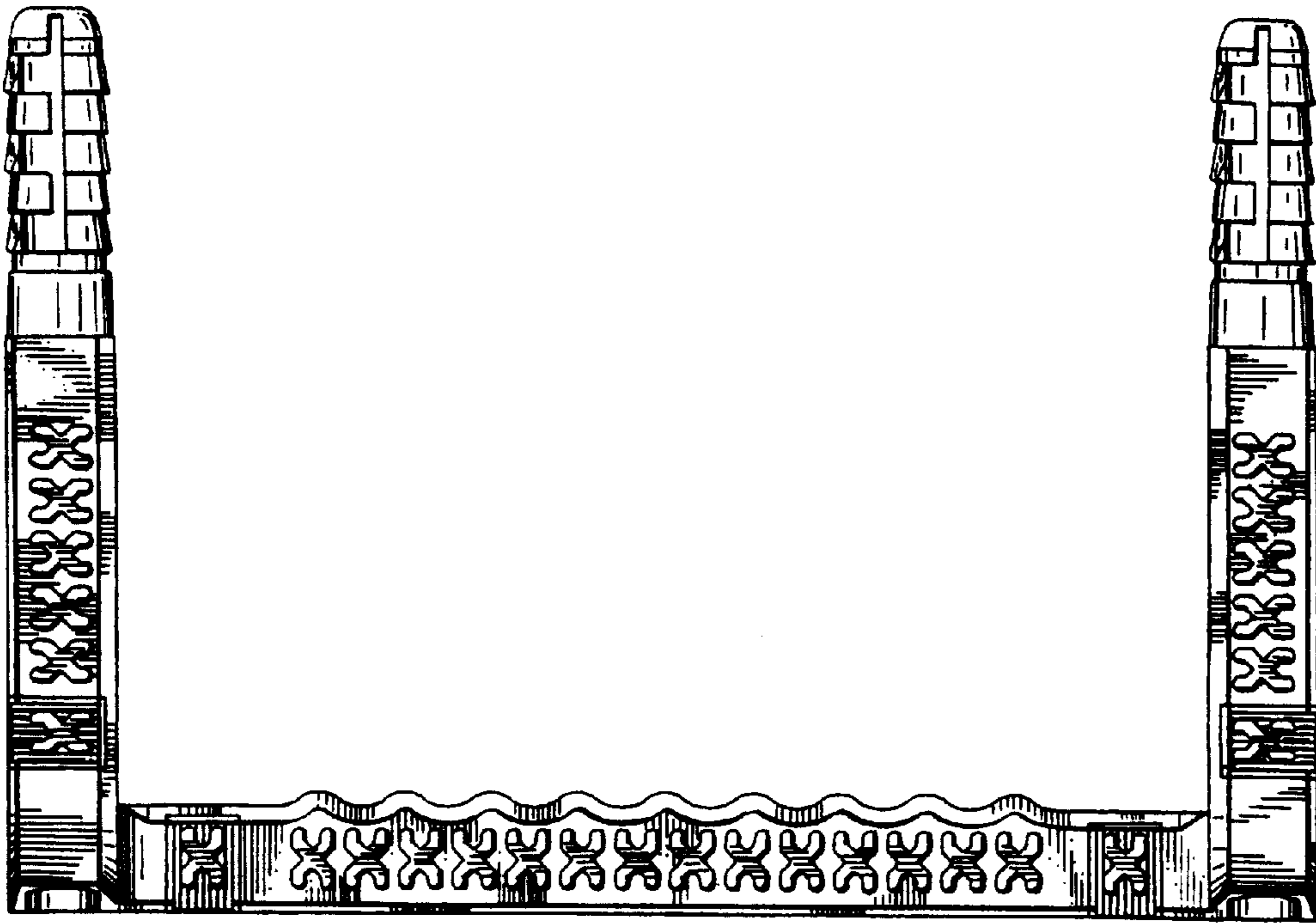
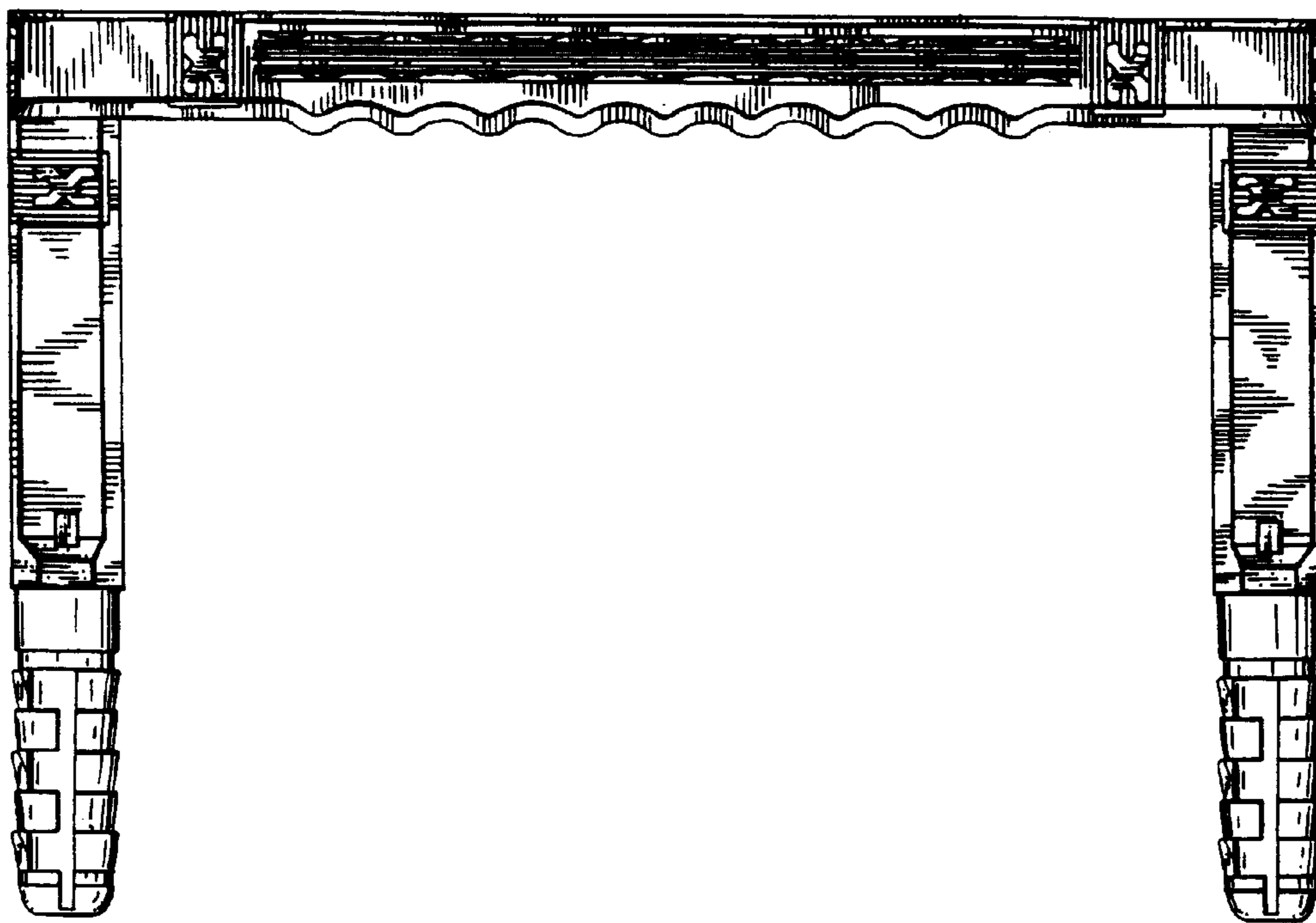


FIG. 8



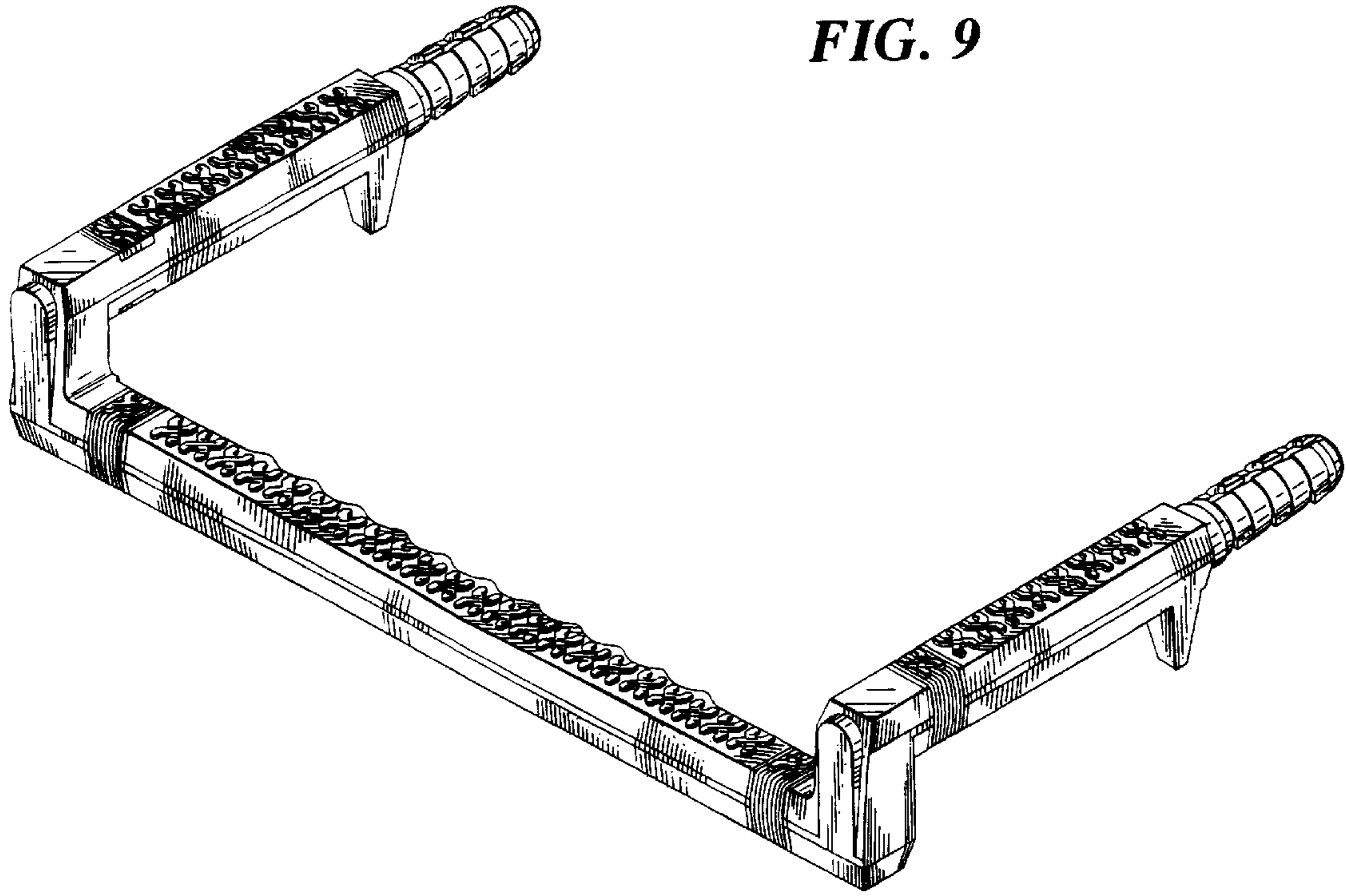


FIG. 9

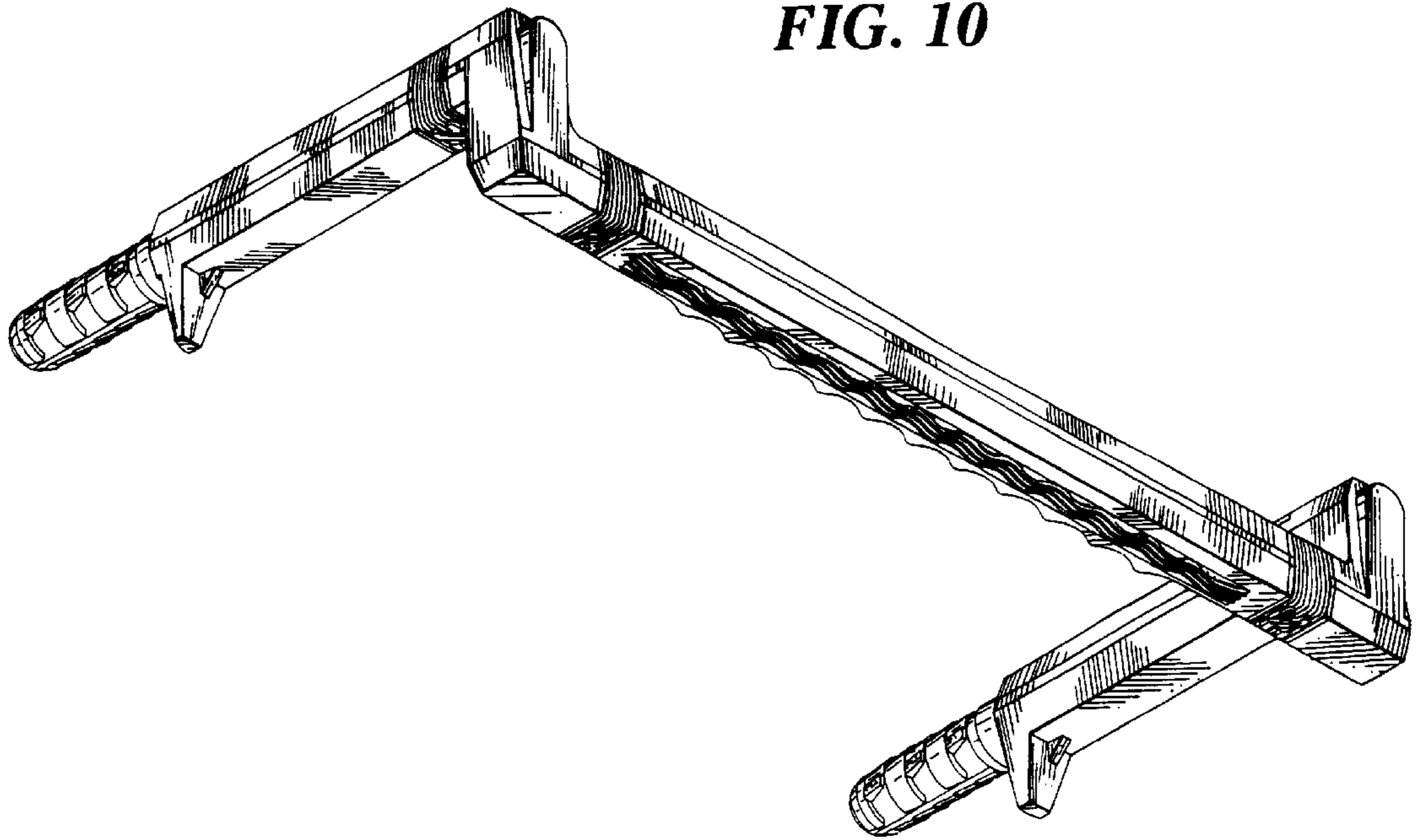


FIG. 10

FIG. 11

