



US00D429000S

United States Patent [19]
Chipman et al.

[11] **Patent Number: Des. 429,000**
[45] **Date of Patent: ** Aug. 1, 2000**

[54] **CANOPY**

[75] Inventors: **Robert G. Chipman**, Austin, Tex.;
Brian J. Kane, San Francisco, Calif.;
Arno R. Yurk, Kalamazoo, Mich.

[73] Assignee: **Landscape Forms, Inc.**, Kalamazoo,
Mich.

[**] Term: **14 Years**

[21] Appl. No.: **29/115,689**

[22] Filed: **Dec. 17, 1999**

[51] **LOC (7) Cl.** **25-02**

[52] **U.S. Cl.** **D25/56**

[58] **Field of Search** D25/56; 135/90,
135/124, 906, 87

[56] **References Cited**

U.S. PATENT DOCUMENTS

D. 199,353	10/1964	Harper	D25/56
D. 256,829	9/1980	Qui et al.	D25/56
D. 412,993	8/1999	Chipman et al.	D25/56
D. 413,394	8/1999	Chipman et al.	D25/56

FOREIGN PATENT DOCUMENTS

631566 11/1949 United Kingdom .

OTHER PUBLICATIONS

StreetSmart Designs, JWI, 2155 112th Avenue, Holland, MI 49424, 1993 (2pp.).

Sweet's General Building & Renovation Catalog, BuyLine 0250, Brasco International, Inc. 8750 Grinnell, Detroit, MI, 1998 (3 pp.).

Primary Examiner—Doris Clark

Attorney, Agent, or Firm—Heslin & Rothenberg, P.C.

[57] **CLAIM**

The ornamental design for a canopy, as shown and described.

DESCRIPTION

FIG. 1 is an isometric view of a first embodiment of the canopy of our new design;

FIG. 2 is a top plan view thereof;

FIG. 3 is a front elevational view thereof;

FIG. 4 is a back elevational view thereof;

FIG. 5 is a bottom plan view thereof;

FIG. 6 is a right side elevational view thereof, taken orthogonal to the center support of the canopy, the left elevational side view being a mirror image thereof;

FIG. 7 is a top plan view of a second embodiment of the canopy of our new design;

FIG. 8 is a right side elevational view of the second embodiment, taken orthogonal to the center support of the canopy, the left elevational side view being a mirror image thereof;

FIG. 9 is a top plan view of a third embodiment of the canopy of our new design;

FIG. 10 is a right side elevational view of the third embodiment, taken orthogonal to the center support of the canopy, the left elevational side view being a mirror image thereof;

FIG. 11 is a top plan view of a fourth embodiment of the canopy of our new design the bottom being substantially similar to the bottom of the design illustrated in FIG. 5; and,

FIG. 12 is a top plan view of a fifth embodiment of the canopy of our new design the bottom being substantially similar to the bottom of the design illustrated in FIG. 5.

The broken line showing in the drawing figures is for illustrative purposes only and forms no part of the claimed design.

1 Claim, 7 Drawing Sheets

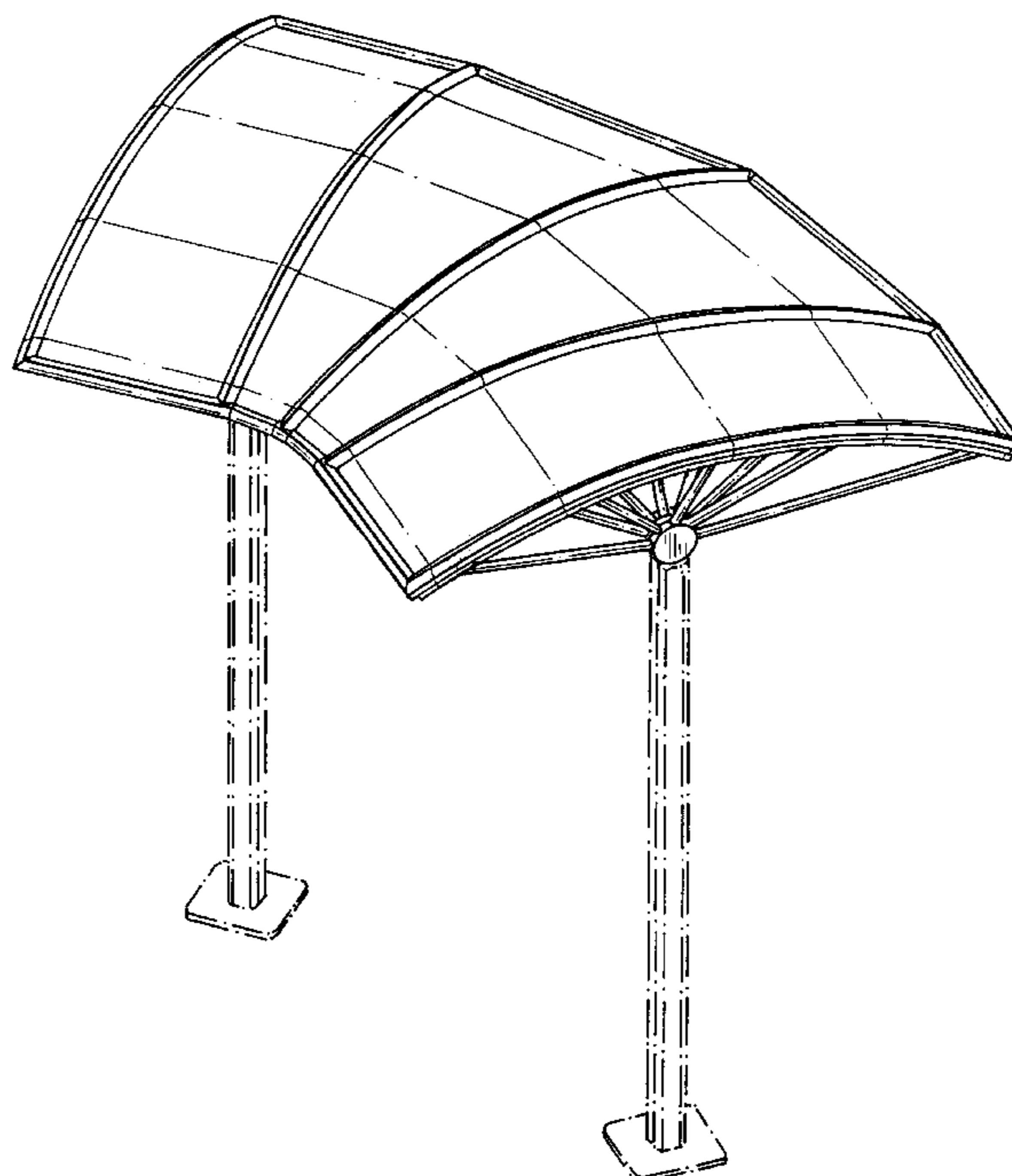


FIG. 1

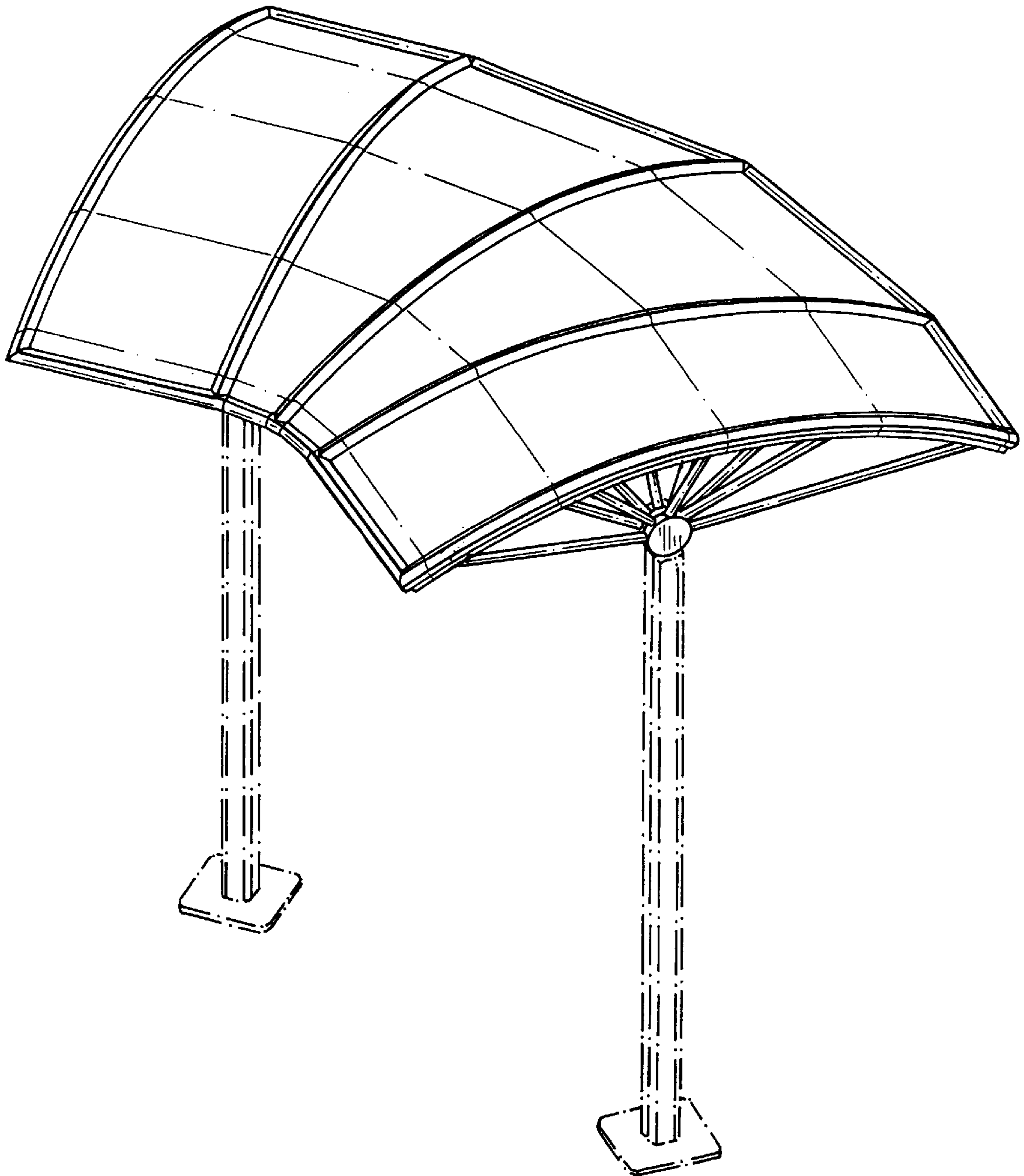


FIG. 2

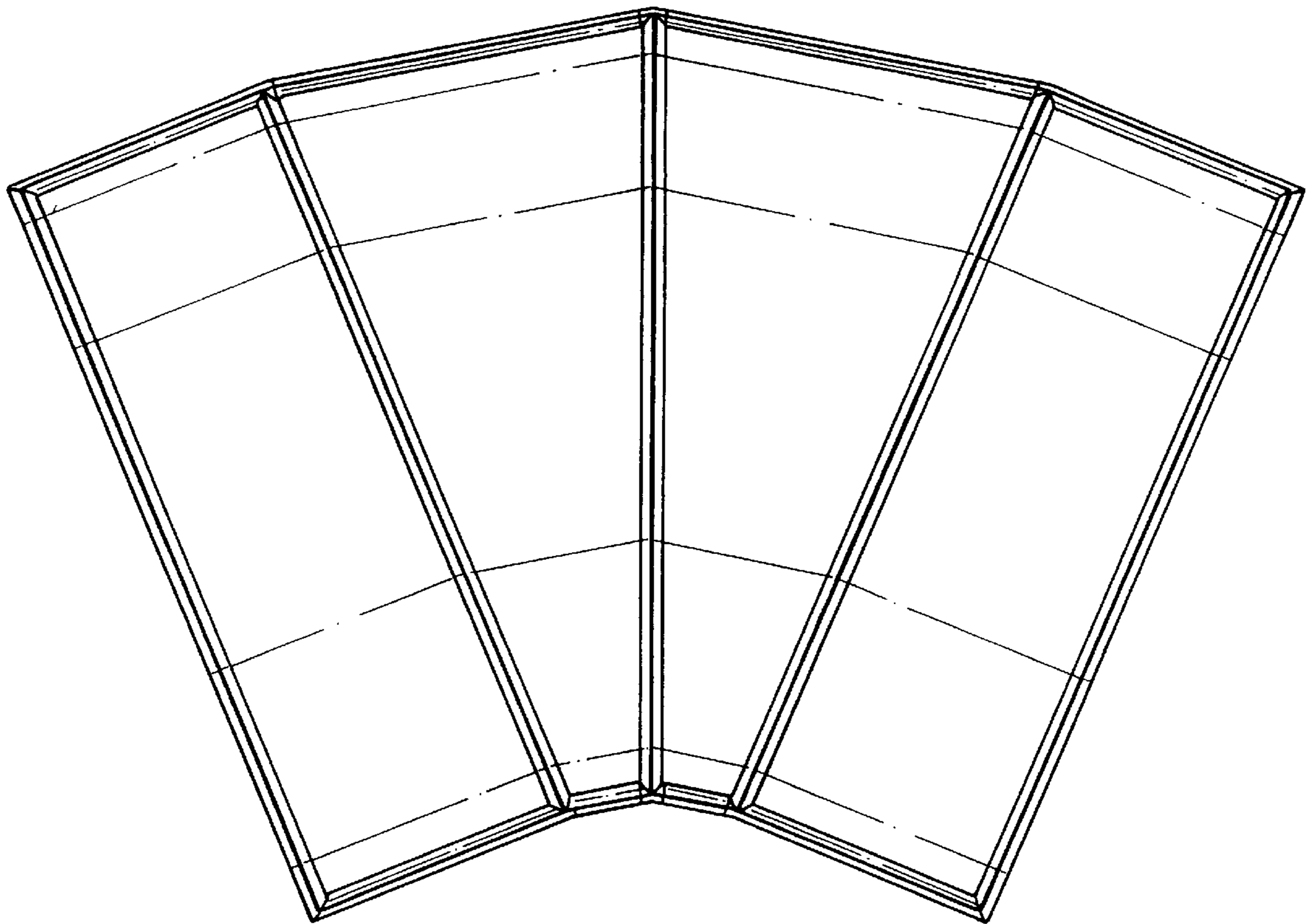


FIG. 3

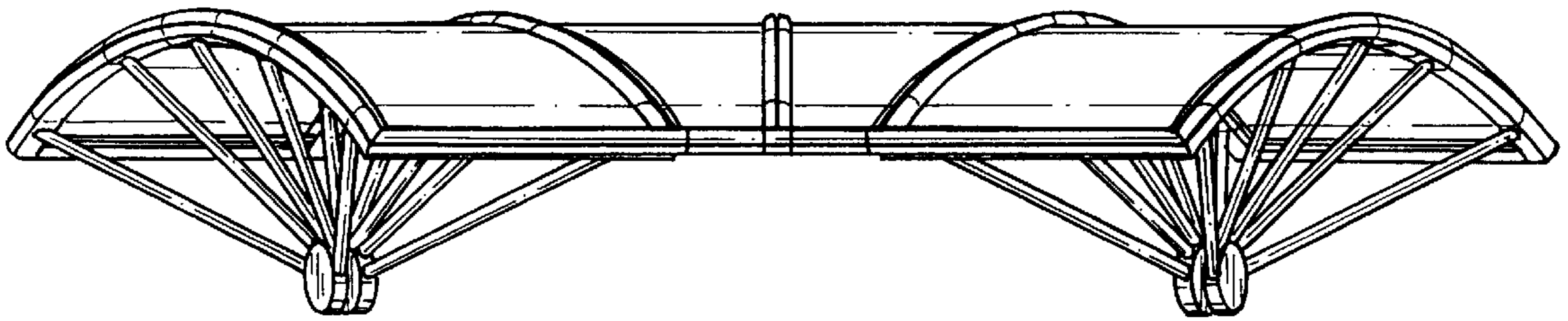


FIG. 4

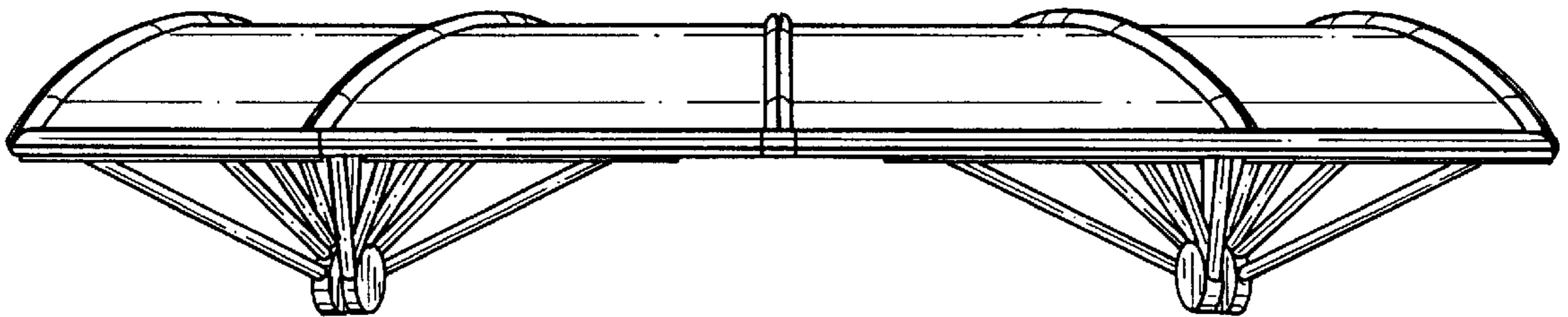


FIG. 5

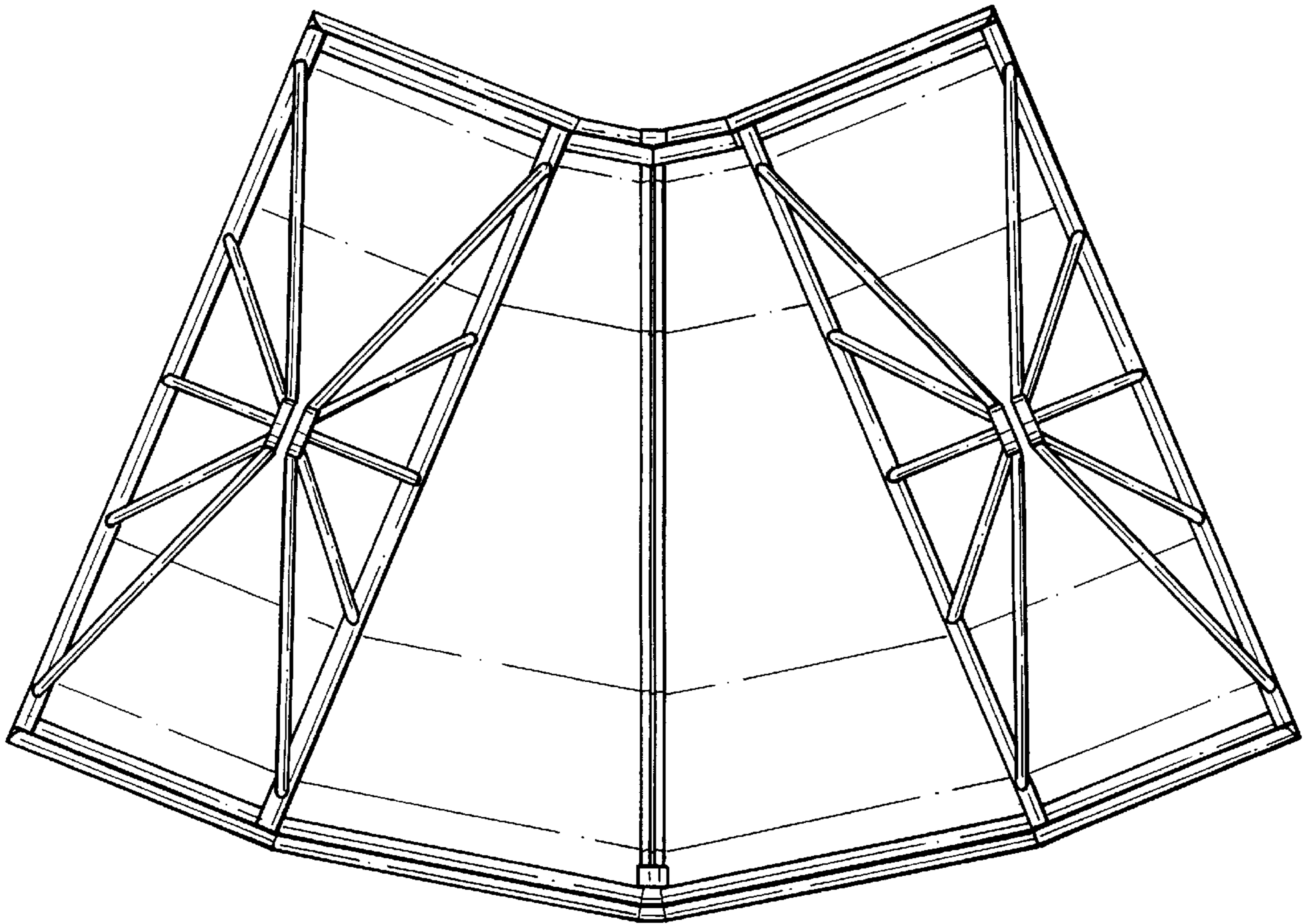


FIG. 6

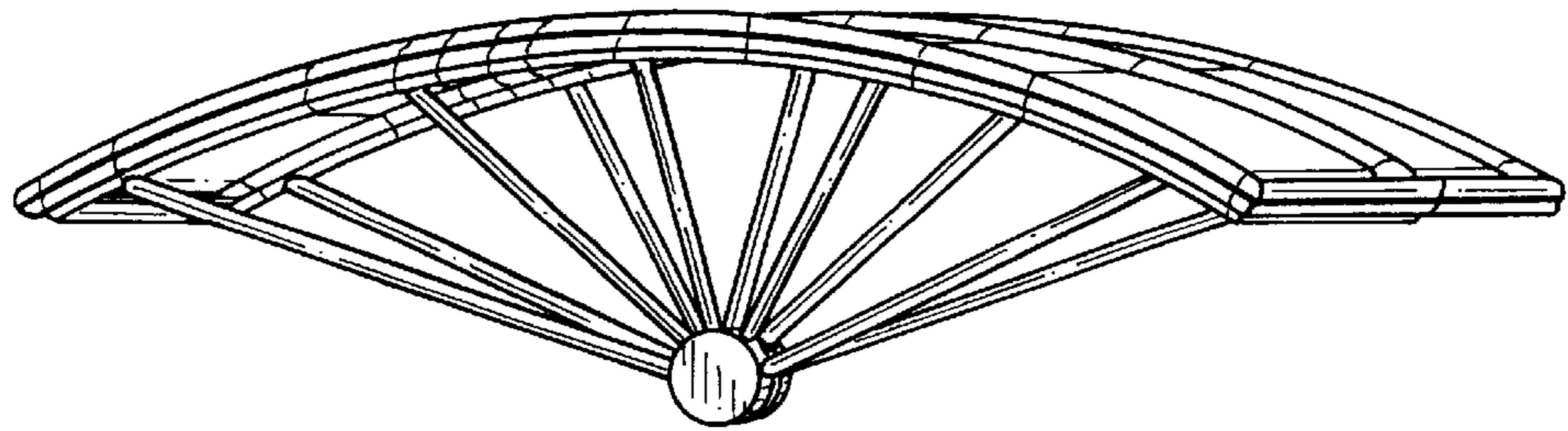


FIG. 7

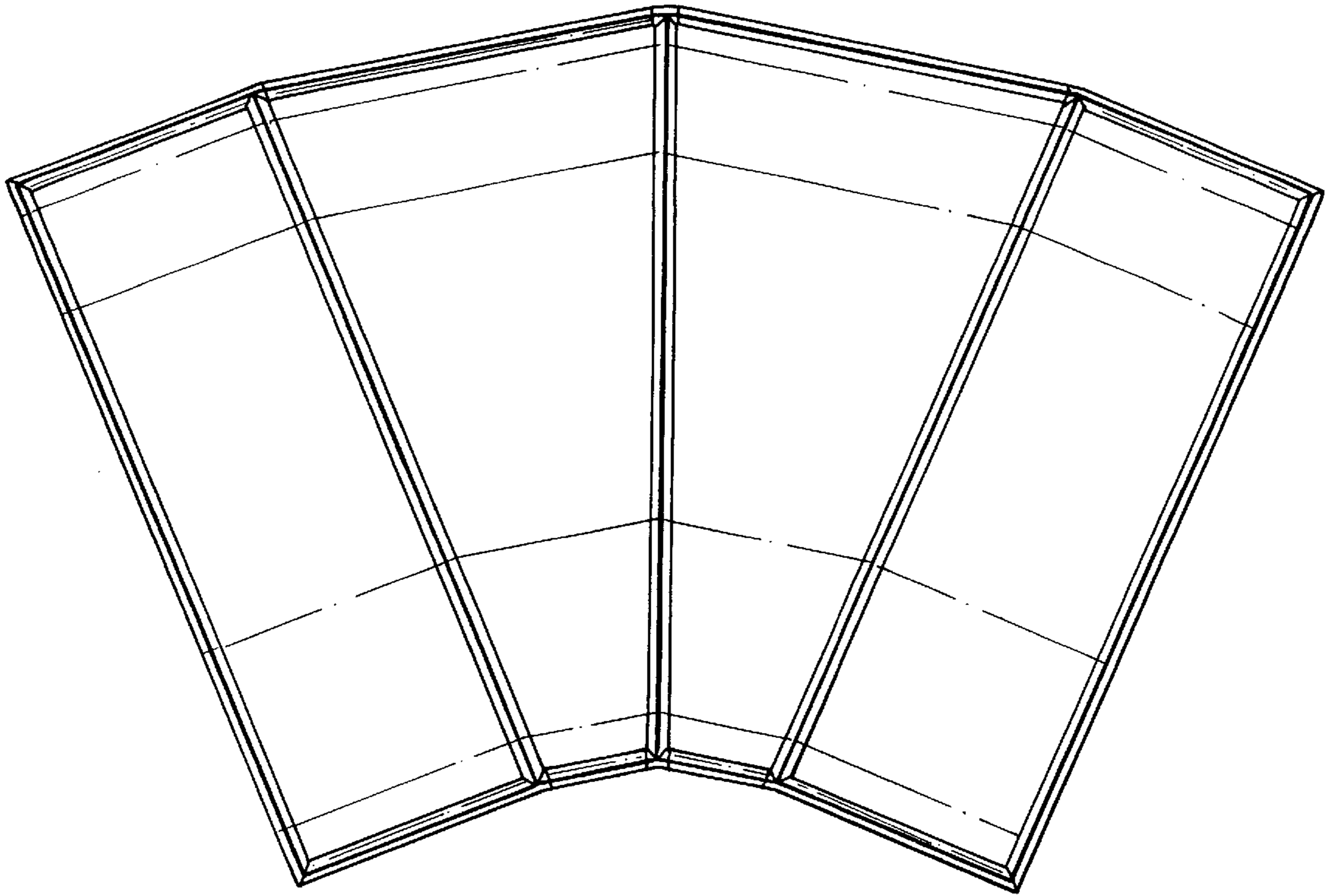


FIG. 8

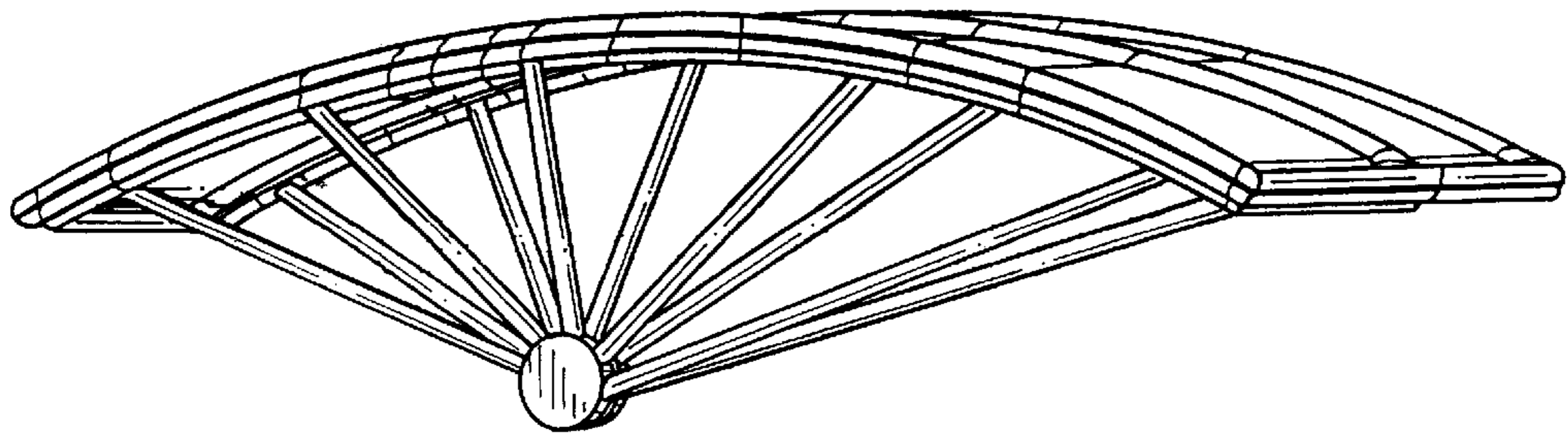


FIG. 9

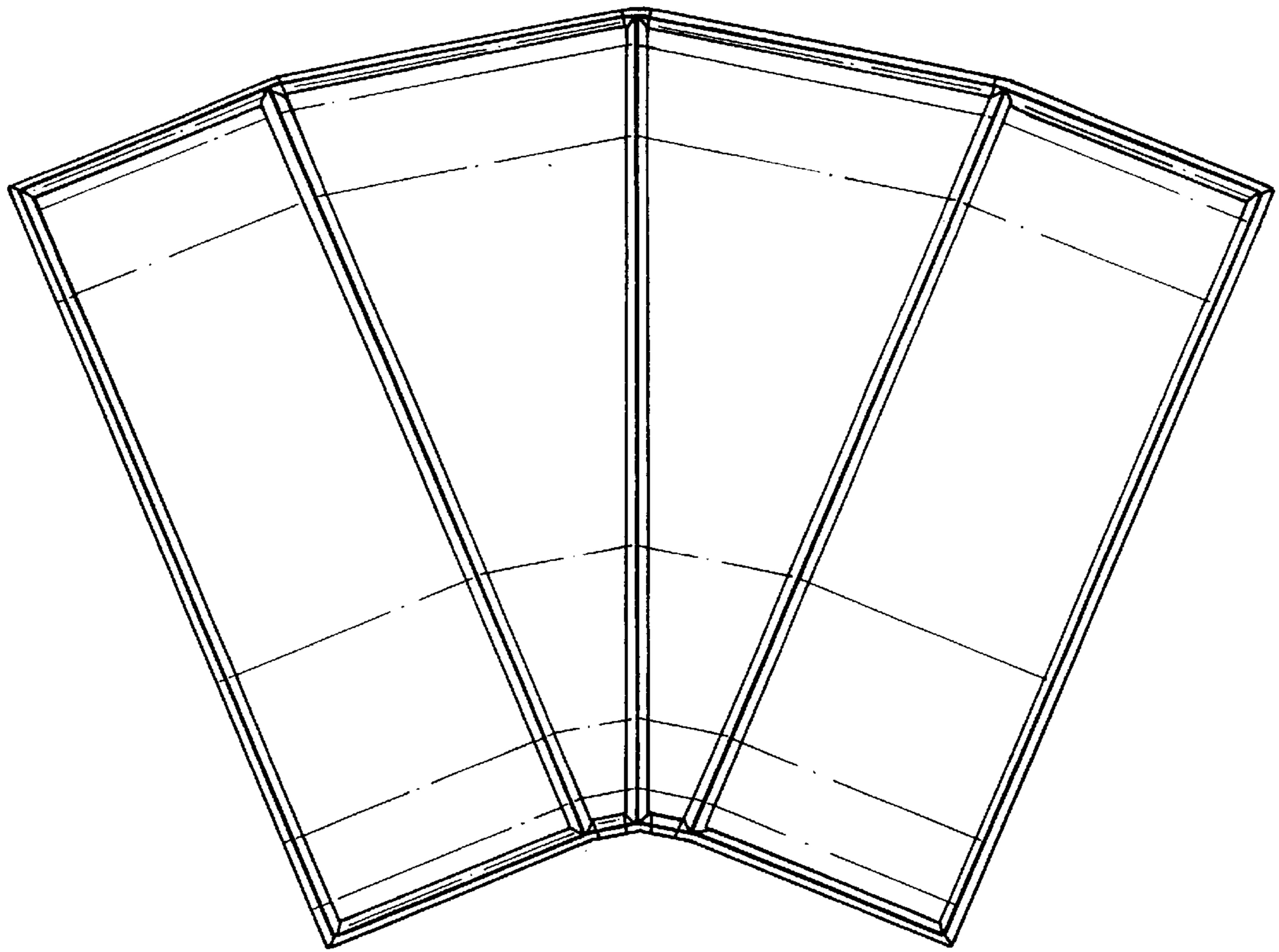


FIG. 10

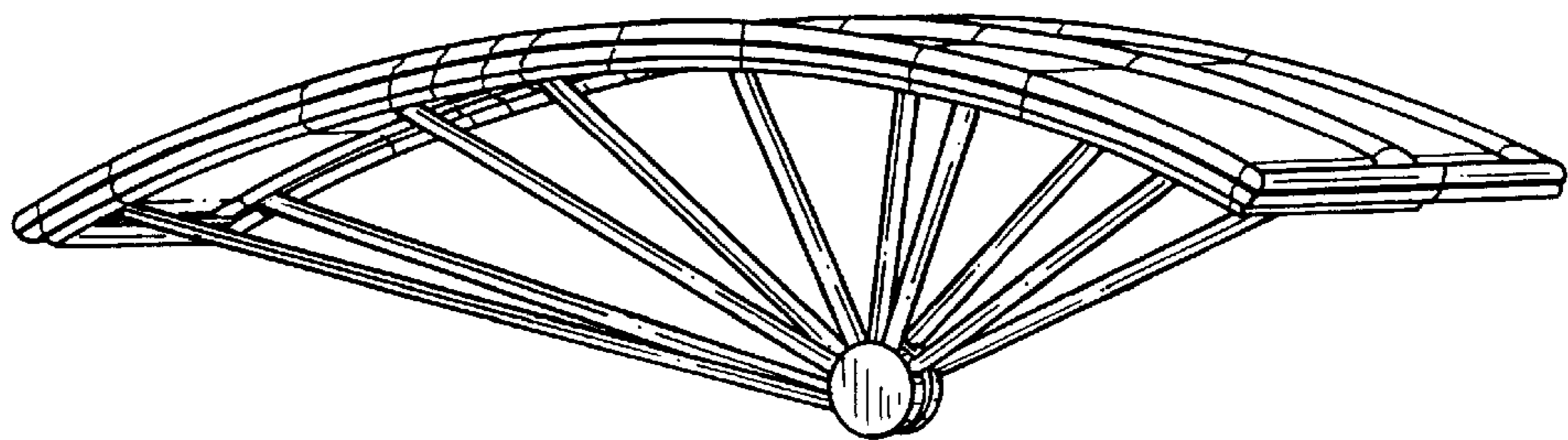


FIG. 11

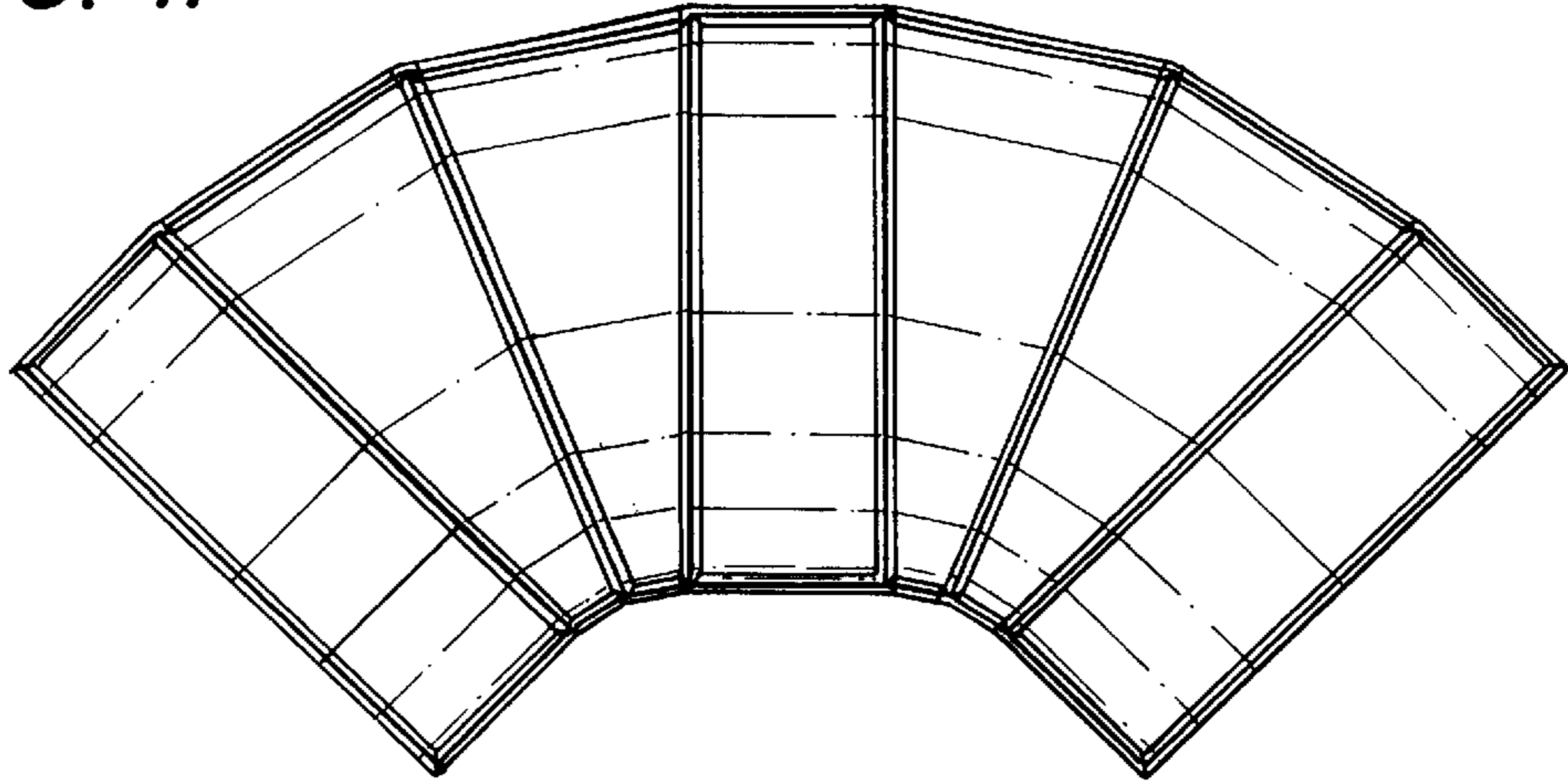


FIG. 12

