



US00D428992S

United States Patent [19] O’Keeffe

[11] Patent Number: Des. 428,992

[45] Date of Patent: ** Aug. 1, 2000

[54] NASAL IMPLANT

[75] Inventor: Paul O’Keeffe, NSW, Australia

[73] Assignee: Porex Surgical, Inc., College Park, Ga.

[**] Term: 14 Years

[21] Appl. No.: 29/105,871

[22] Filed: Jun. 4, 1999

[51] LOC (7) Cl. 24-03

[52] U.S. Cl. D24/155

[58] Field of Search D24/155; 623/8,
623/10; 606/199, 196

[56] References Cited

U.S. PATENT DOCUMENTS

- D. 270,759 9/1983 Straith .
- D. 320,659 10/1991 Johansson et al. .
- D. 366,526 1/1996 Rizzo D24/155
- 5,030,232 7/1991 Pham .
- 5,112,353 5/1992 Johansson et al. .
- 5,716,405 2/1998 Mittelman .

Primary Examiner—Antoine Duval Davis
Attorney, Agent, or Firm—Lane, Aitken & McCann

[57] CLAIM

The ornamental design of the nasal implant, substantially as shown.

DESCRIPTION

FIG. 1 is a perspective view of the nasal implant showing the new design and each of its three parts.

FIG. 2 is a side sectional view of the nasal implant as assembled.

FIG. 3 is front elevational view of the first section of the nasal implant device;

FIG. 4 is a side elevational view of the first section of the device.

FIG. 5 is a rear elevational view of the first section of the device.

FIG. 6 is a top end elevational view of the first section of the device.

FIG. 7 is the bottom end elevational view of the first

FIG. 8 is front elevational view of the second section of the nasal implant device;

FIG. 9 is a side elevational view of the second section of the device.

FIG. 10 is a rear elevational view of the second section of the device.

FIG. 11 is a top end elevational view of the second section of the device.

FIG. 12 is the bottom end elevational view of the second section of the device.

FIG. 13 is front elevational view of the third section of the nasal implant device;

FIG. 14 is a side elevational view of the third section of the device.

FIG. 15 is a rear elevational view of the third section of the device.

FIG. 16 is a top end elevational view of the third section of the device; and,

FIG. 17 is the bottom end elevational view of the third section of the device.

1 Claim, 3 Drawing Sheets

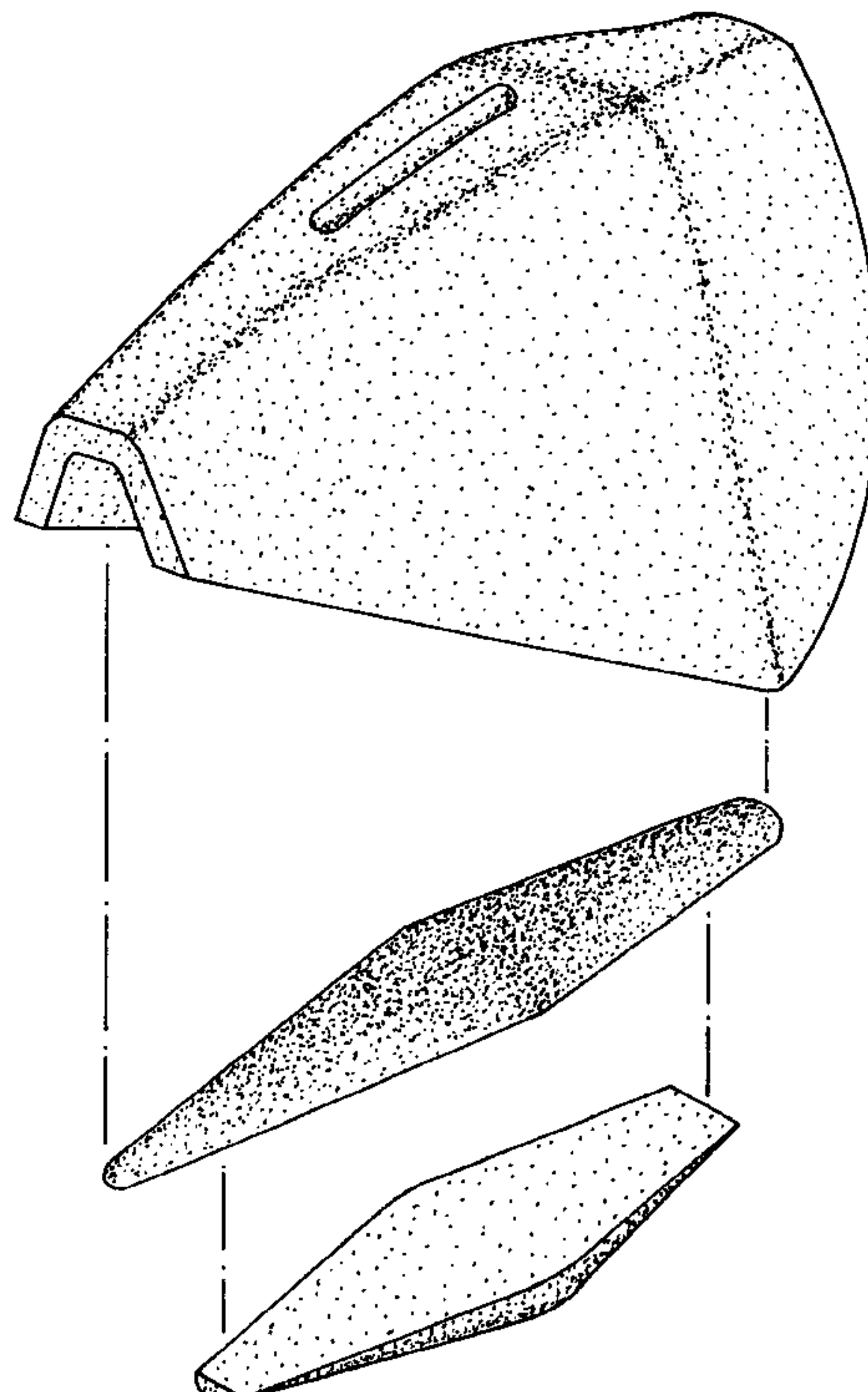


FIG. 1

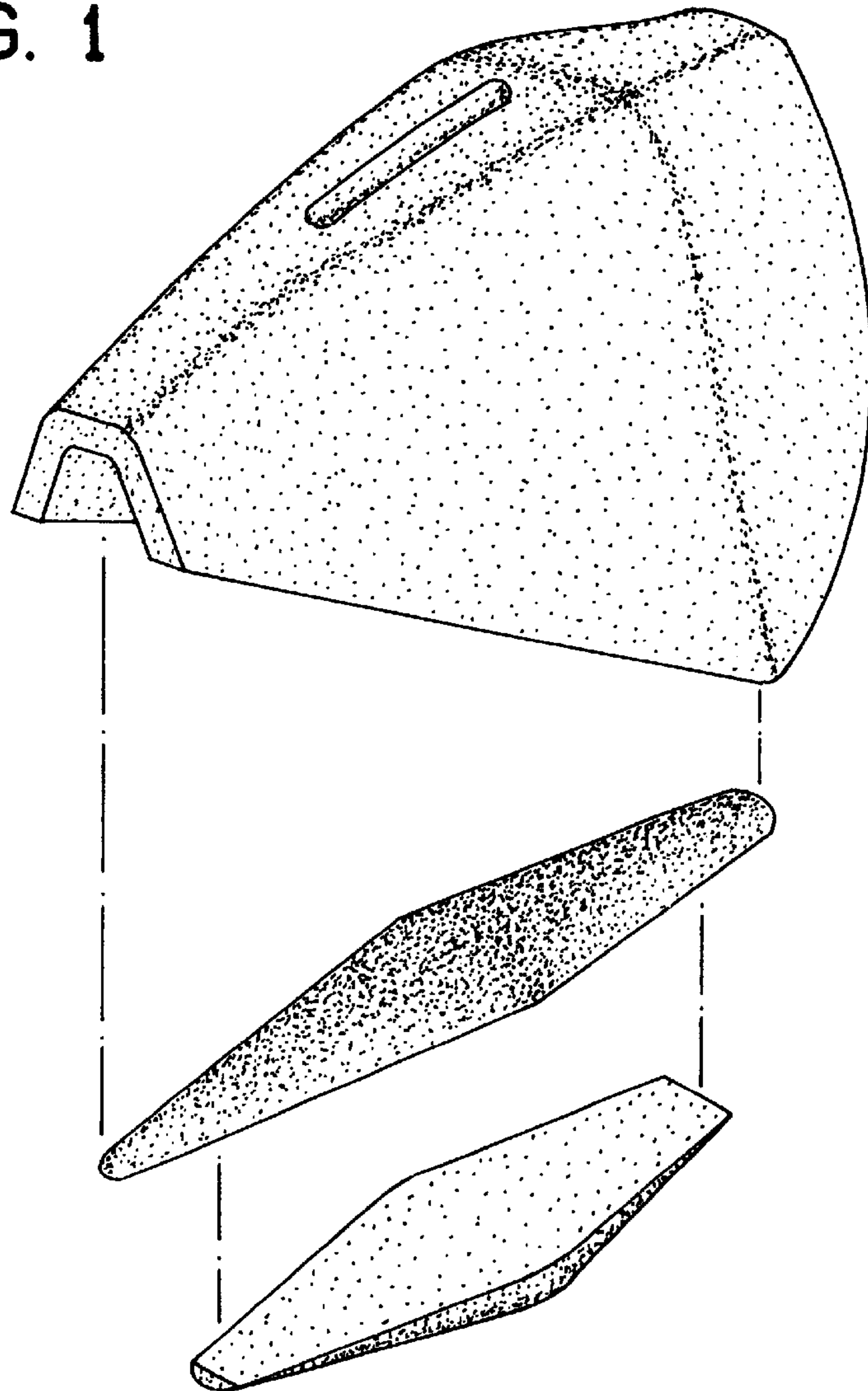


FIG. 2

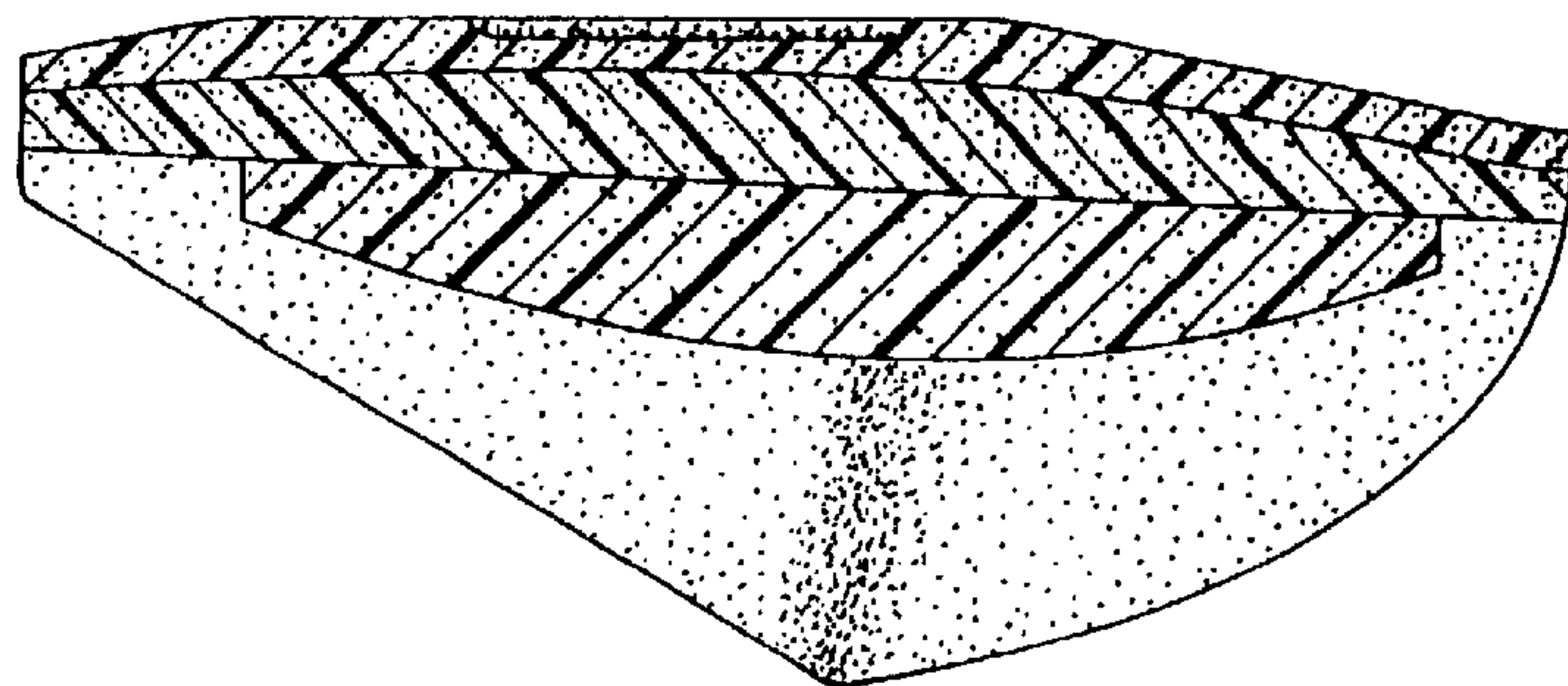


FIG. 3

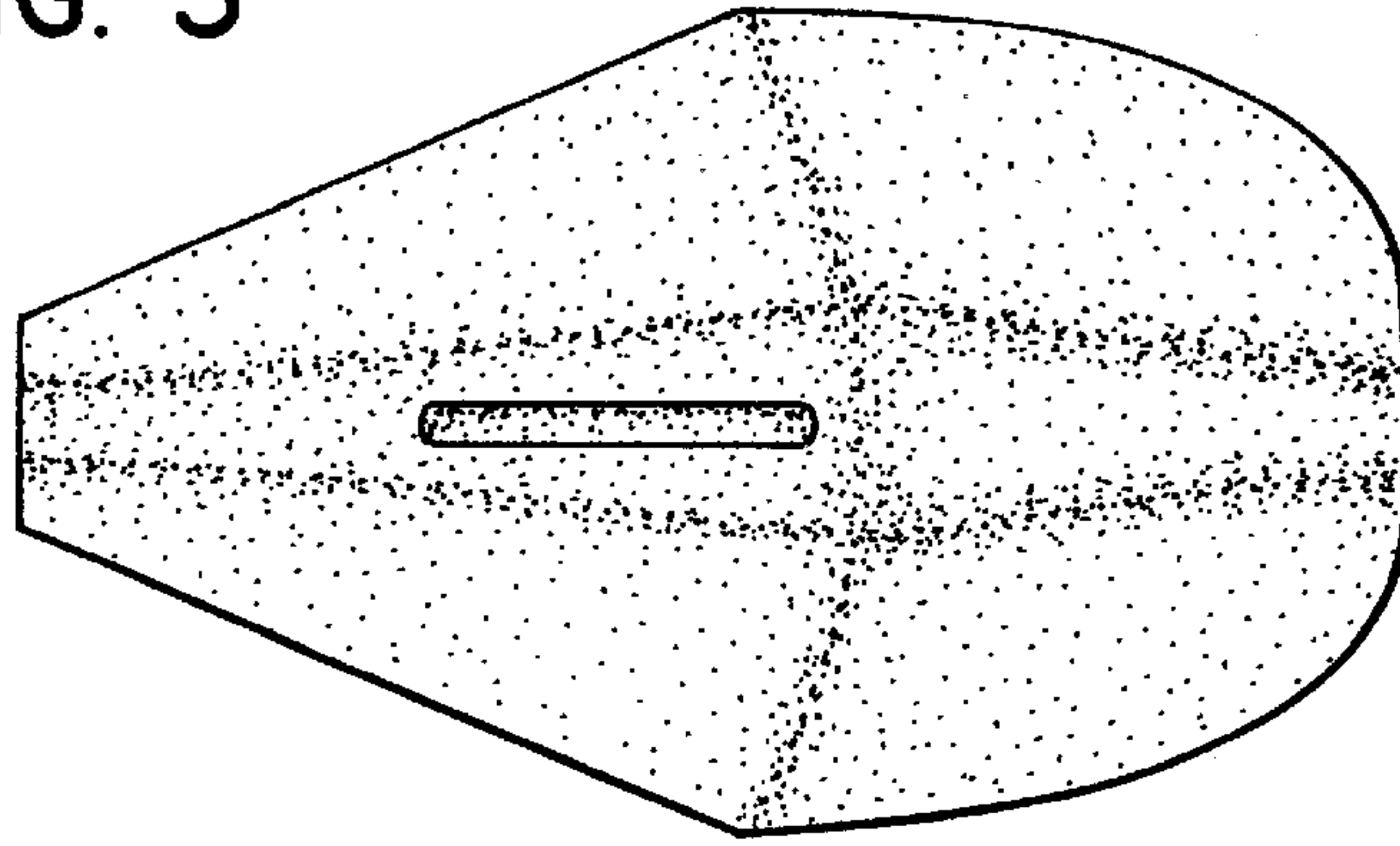


FIG. 4

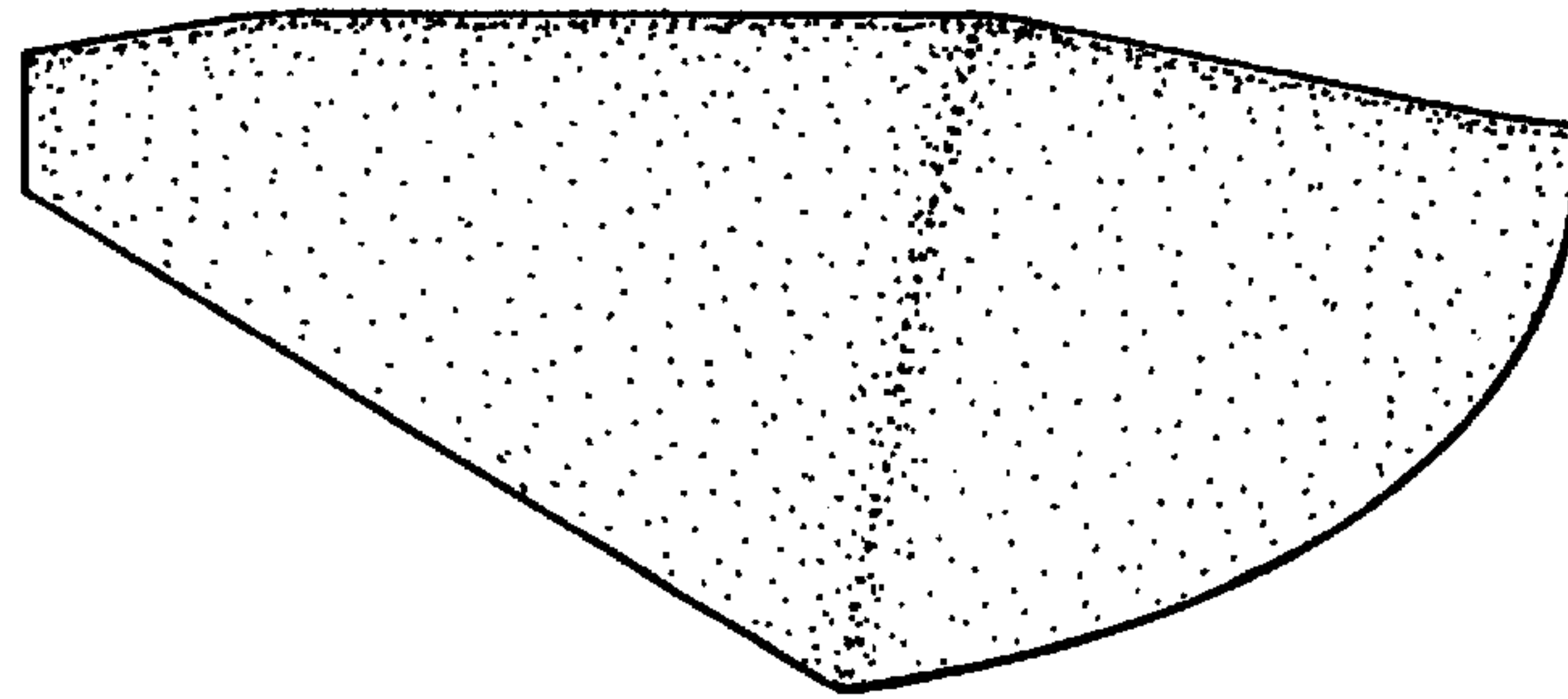


FIG. 5

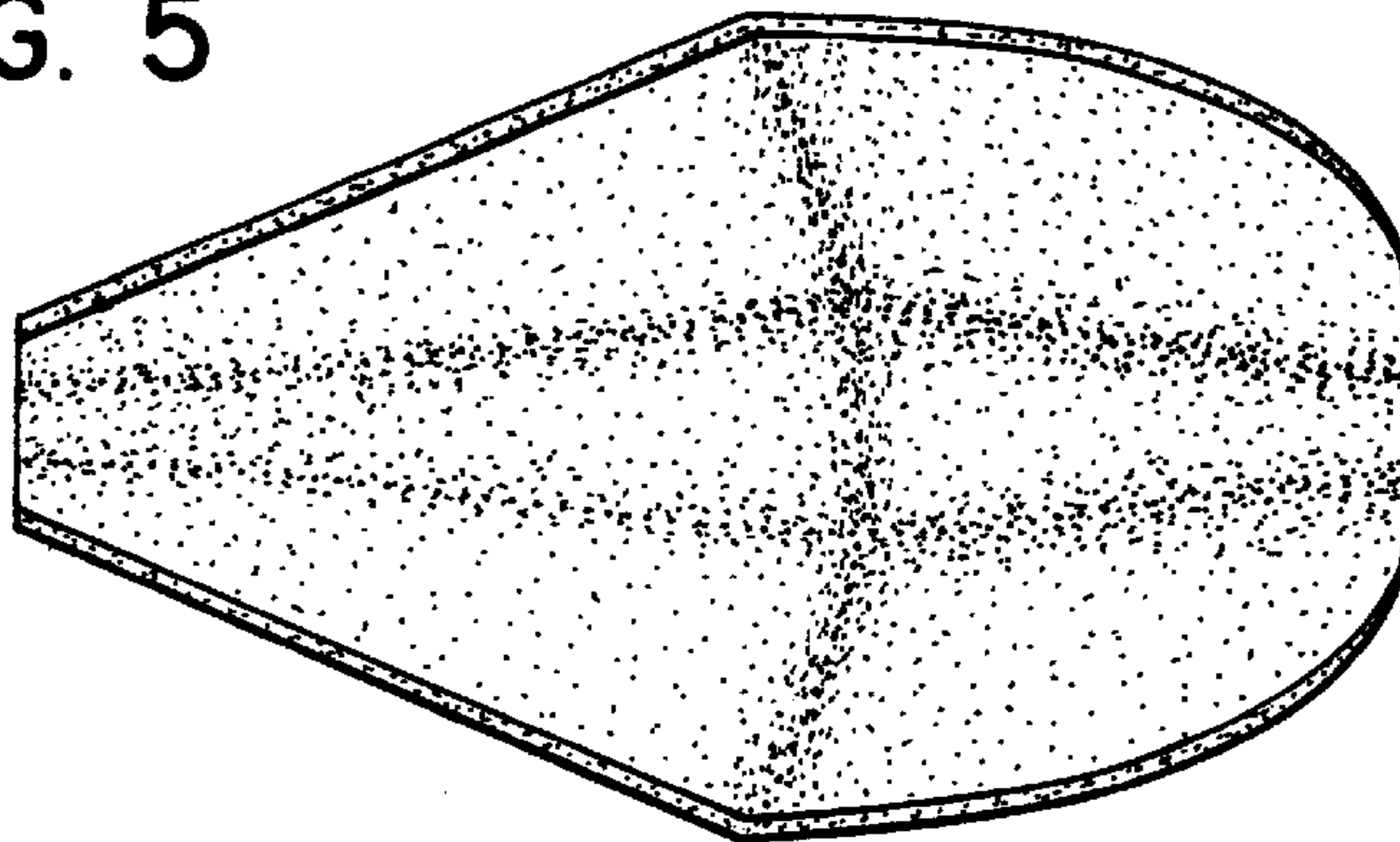


FIG. 6

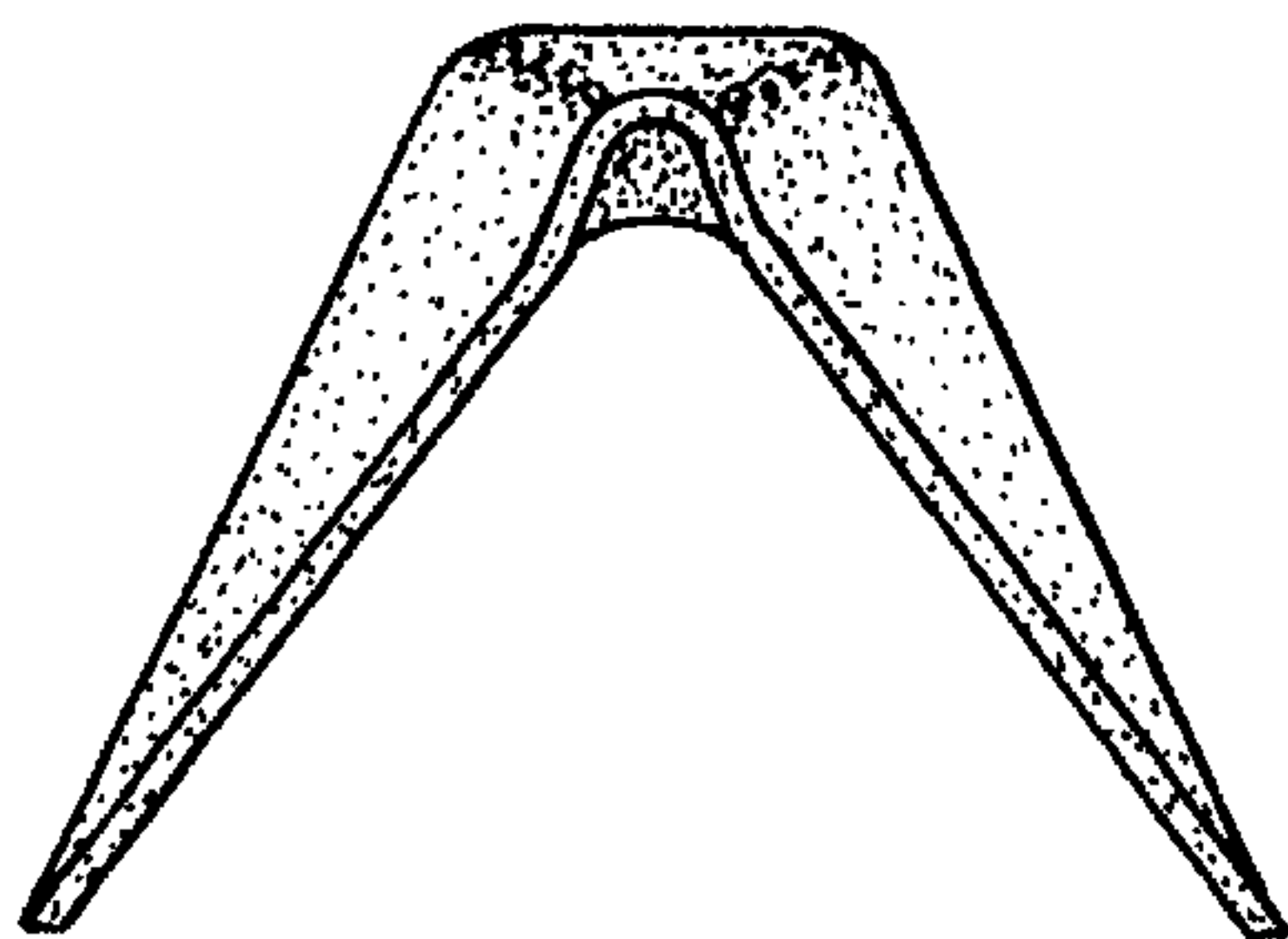


FIG. 7

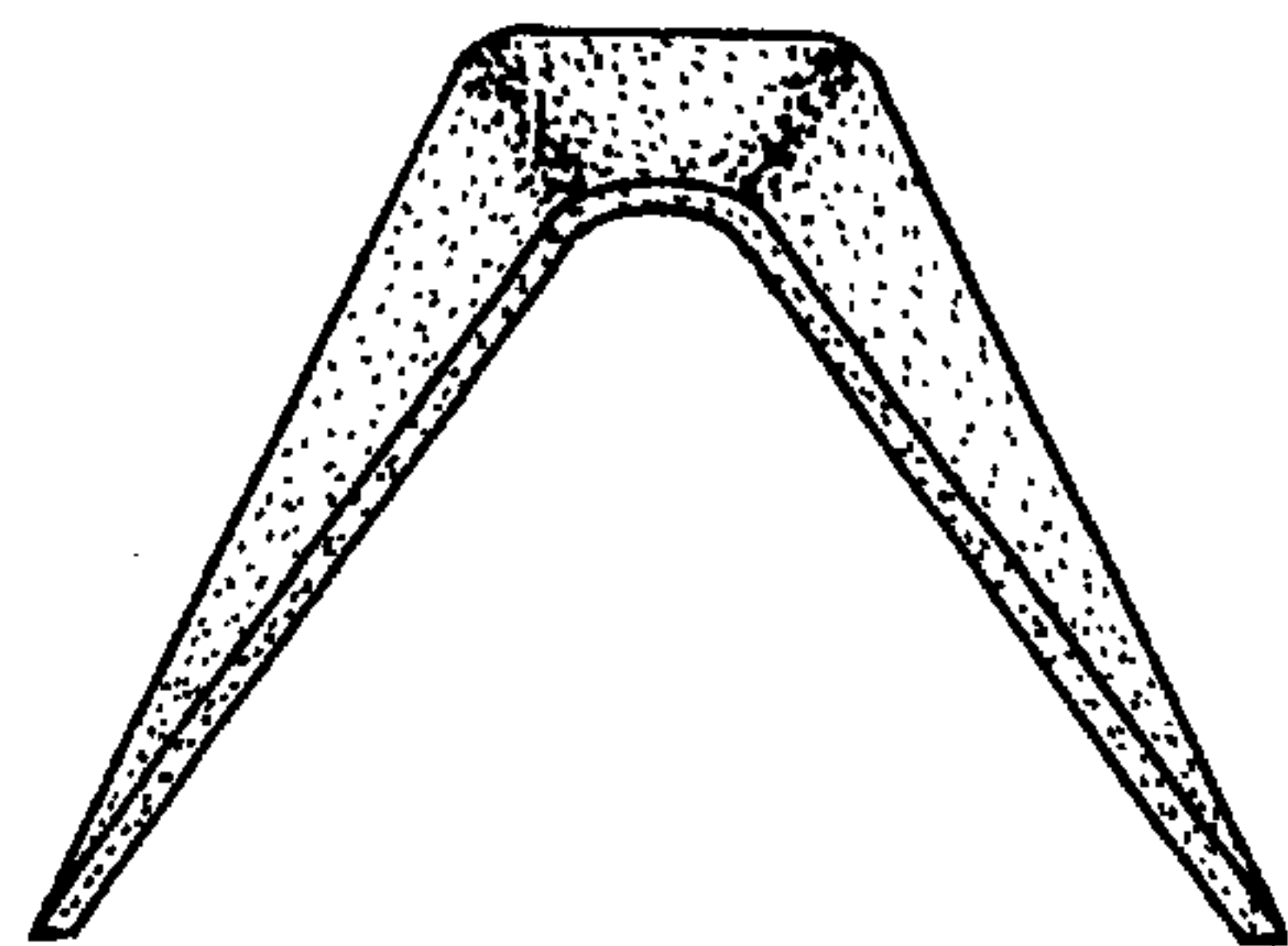


FIG. 8

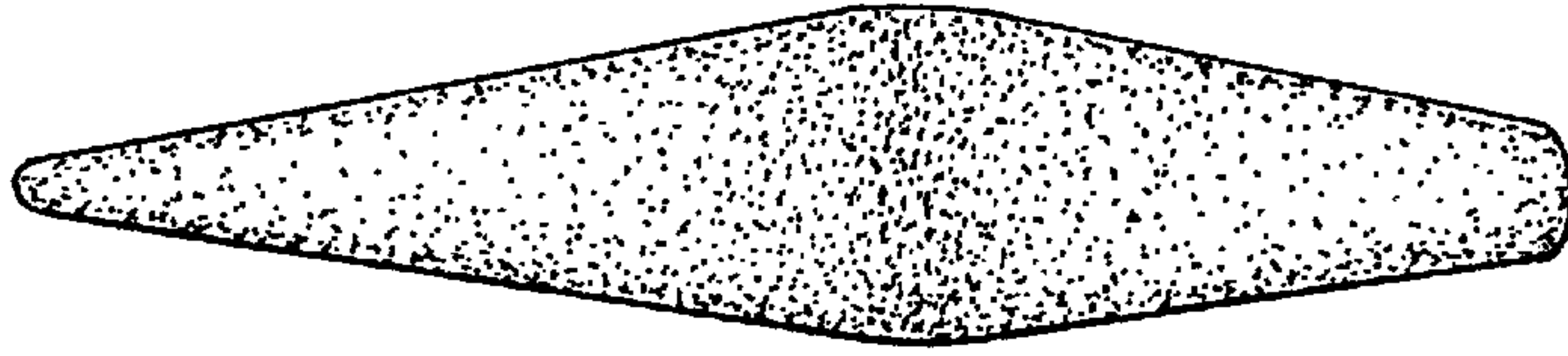


FIG. 9



FIG. 10

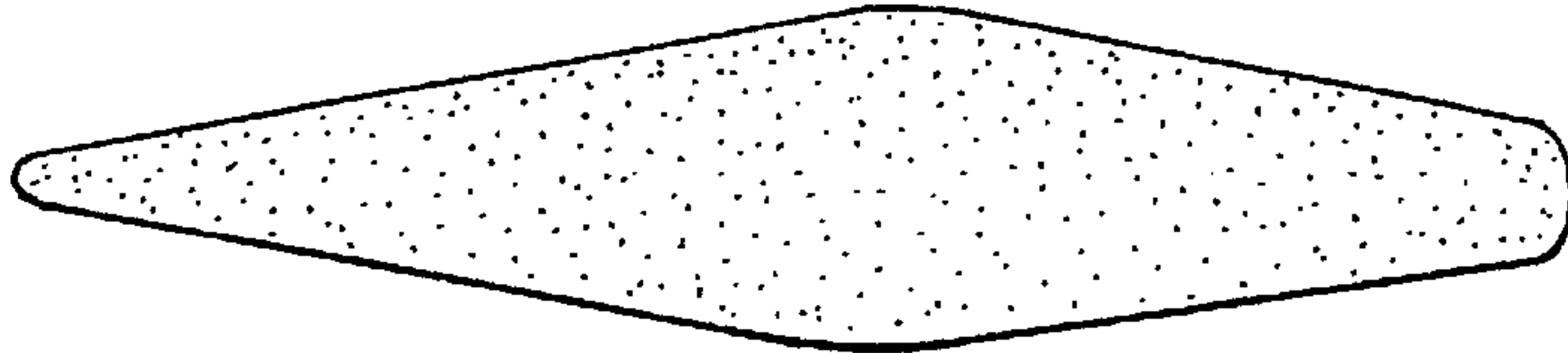


FIG. 11



FIG. 12



FIG. 13

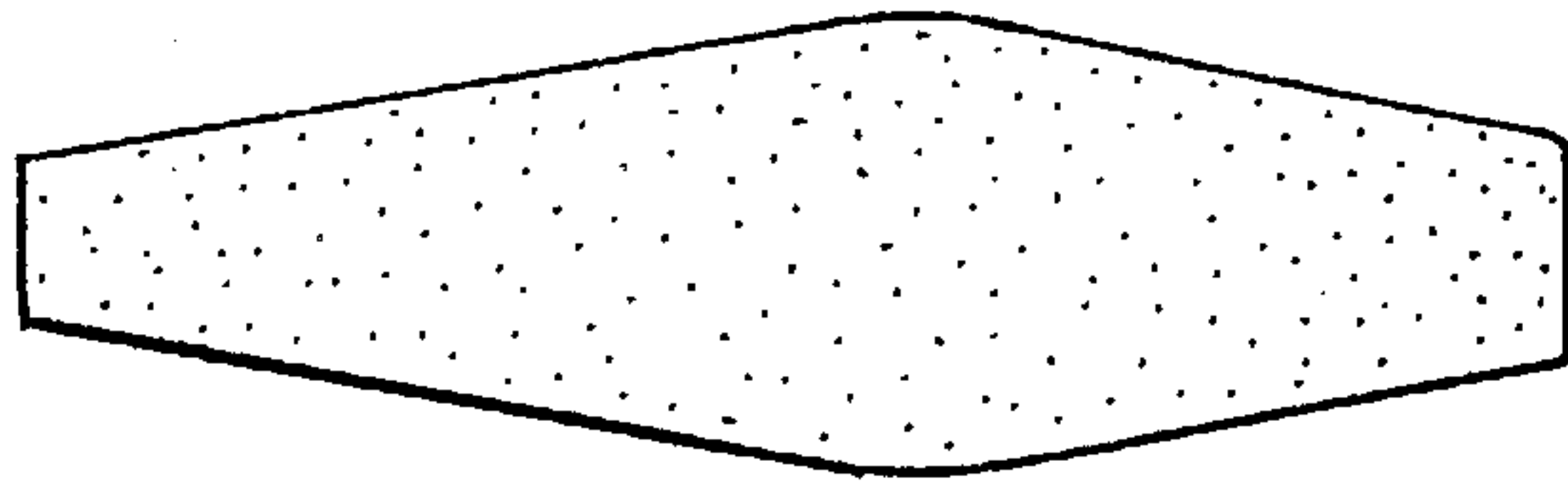


FIG. 14

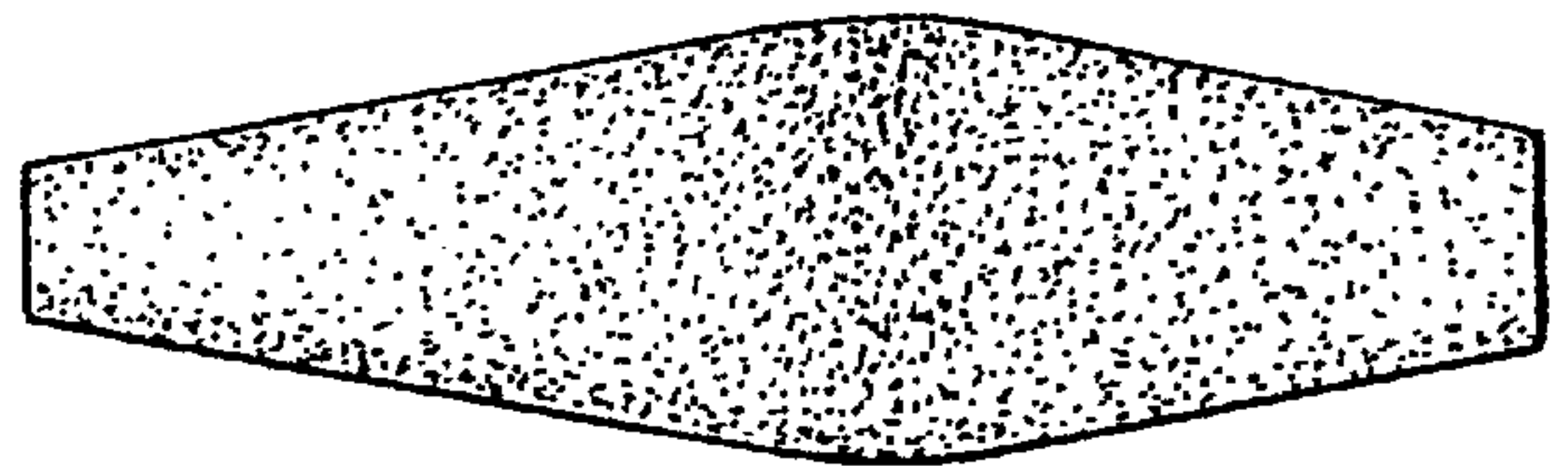


FIG. 15



FIG. 16

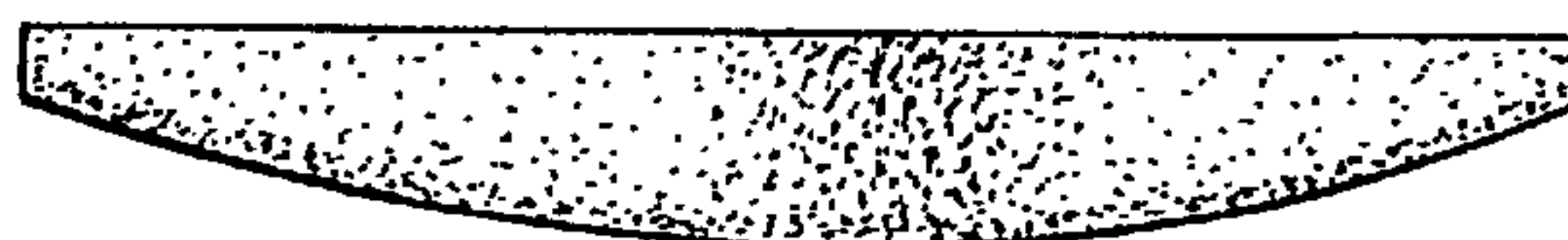


FIG. 17

