



US00D428989S

United States Patent [19]
Segermark et al.

[11] **Patent Number: Des. 428,989**
[45] **Date of Patent: ** Aug. 1, 2000**

[54] **SURGICAL INCISION SPREADING DEVICE**

DESCRIPTION

- [75] Inventors: **James Segermark**, Gem Lake; **Chris Herman**, White Bear Lake, both of Minn.
- [73] Assignee: **Viamedics, LLC**, White Bear Lake, Minn.
- [**] Term: **14 Years**
- [21] Appl. No.: **29/106,710**
- [22] Filed: **Jun. 18, 1999**
- [51] **LOC (7) Cl.** **24-02**
- [52] **U.S. Cl.** **D24/135**
- [58] **Field of Search** D24/135; 600/201, 600/208, 210, 214, 215, 216, 217, 222, 224, 225

[56] **References Cited**

U.S. PATENT DOCUMENTS

| | | | | |
|------------|---------|----------------|-------|---------|
| D. 319,502 | 8/1991 | Michelson | | D24/135 |
| D. 403,066 | 12/1998 | DeFonzo | | D24/135 |
| D. 411,617 | 6/1999 | Furnish | | D24/135 |
| 5,088,472 | 2/1992 | Fakhrai | | 600/214 |
| 5,616,117 | 4/1997 | Dinkler et al. | | 600/232 |
| 5,776,054 | 7/1998 | Bobra | | 600/219 |

Primary Examiner—Eric Watterson
Attorney, Agent, or Firm—Fredrikson & Byron, P.A.

[57] **CLAIM**

The ornamental design for a surgical incision spreading device, as shown and described.

FIG. 1 is a top perspective view of a surgical incision spreading device of the invention in a first deployment configuration;

FIG. 2 is a top elevational view of the surgical incision spreading device of FIG. 1;

FIG. 3 is a bottom elevational view of the surgical incision spreading device of FIG. 1;

FIG. 4 is a right elevational view of the surgical incision spreading device of FIG. 1, the left elevational view being the same;

FIG. 5 is a front elevational view of the surgical incision spreading device of FIG. 1, the rear elevational view being the same;

FIG. 6 is top perspective view of the surgical incision spreading device of FIG. 1, but illustrating the surgical incision spreading device in a second deployment configuration;

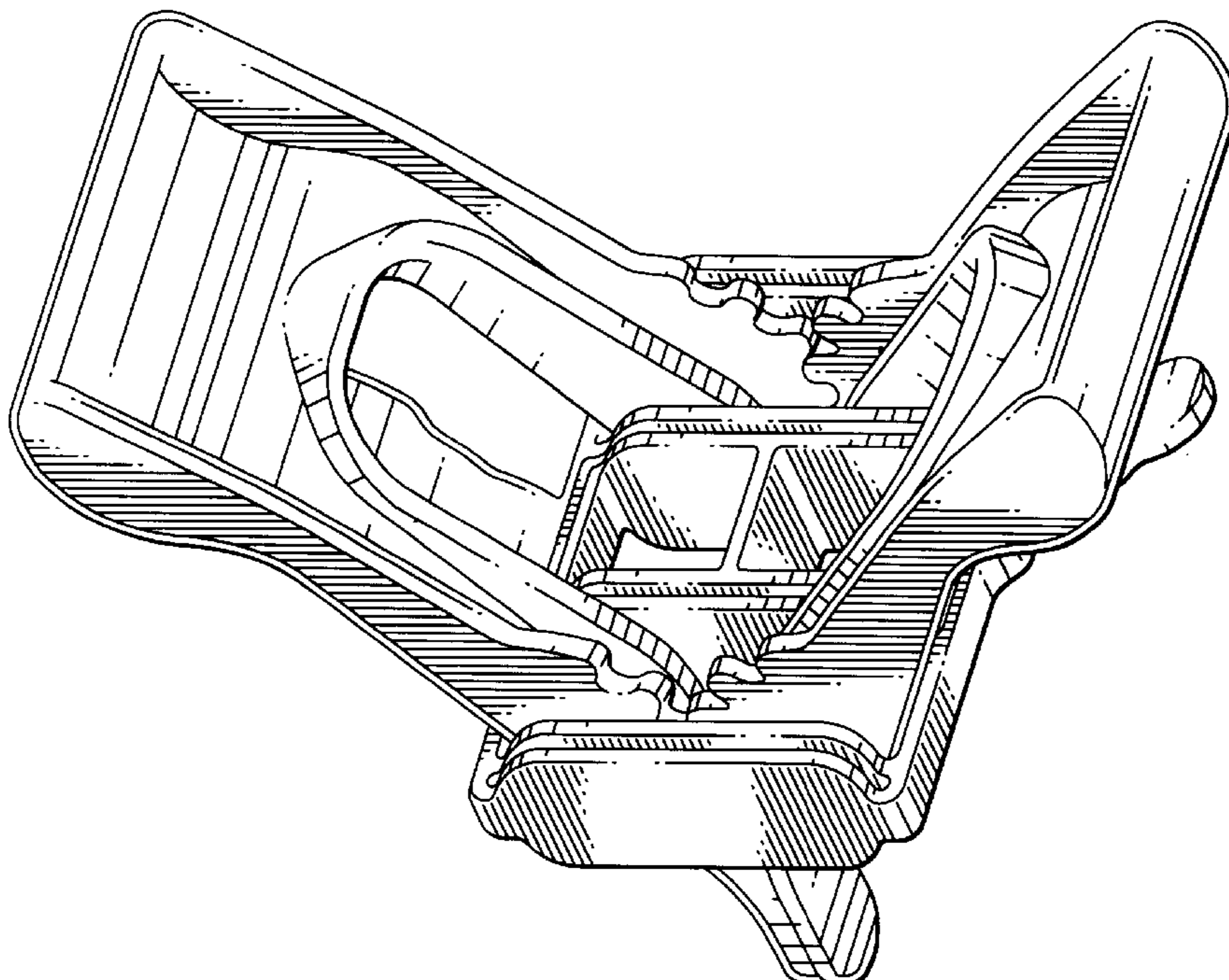
FIG. 7 is a top elevational view of the surgical incision spreading device of FIG. 6

FIG. 8 is a bottom elevational view of the surgical incision spreading device of FIG. 6;

FIG. 9 is a right elevational view of the surgical incision spreading device of FIG. 6, the left elevational view being the same; and,

FIG. 10 is an front elevational view of the surgical incision spreading device of FIG. 6, the rear elevational view being the same.

1 Claim, 6 Drawing Sheets



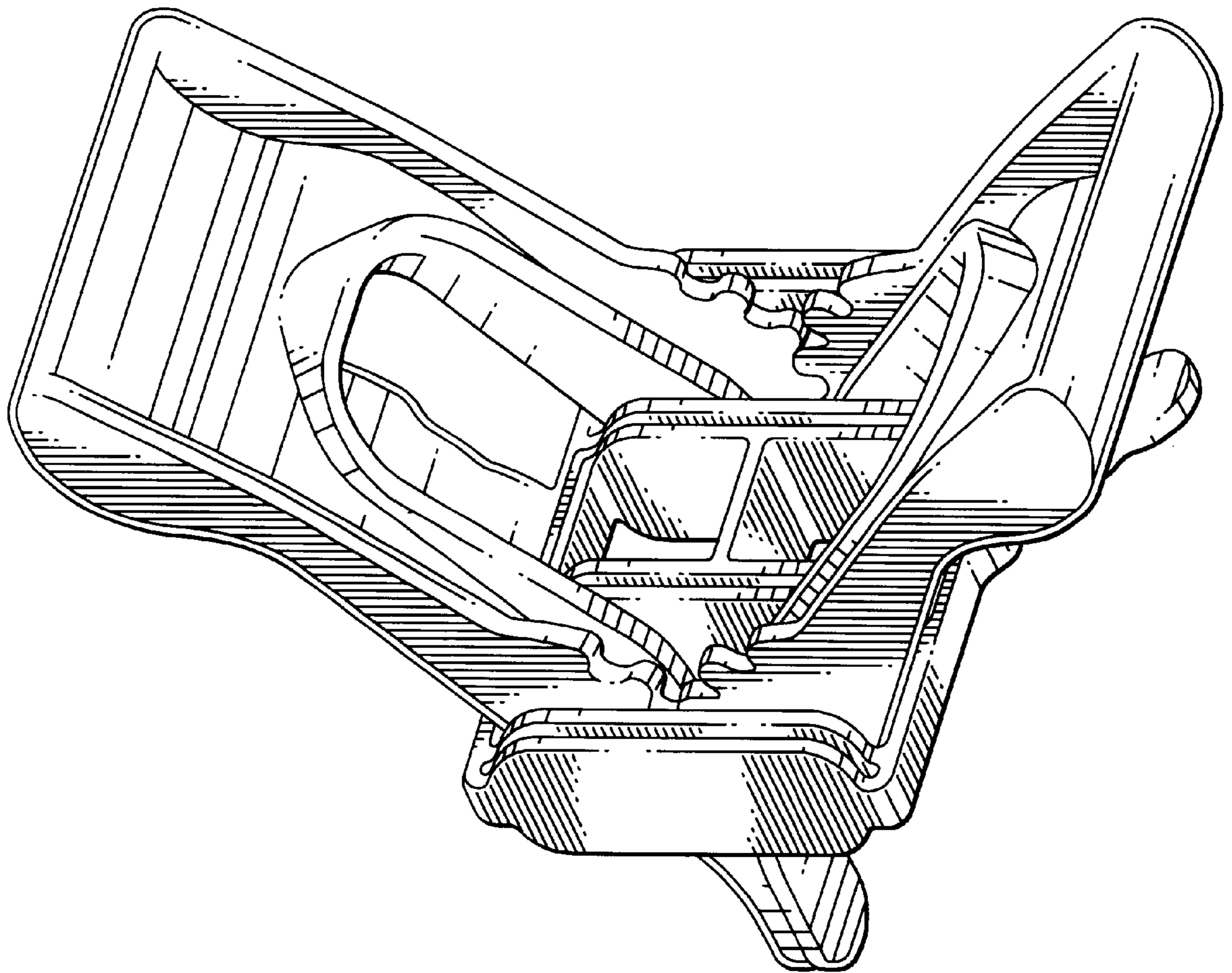


FIG.1

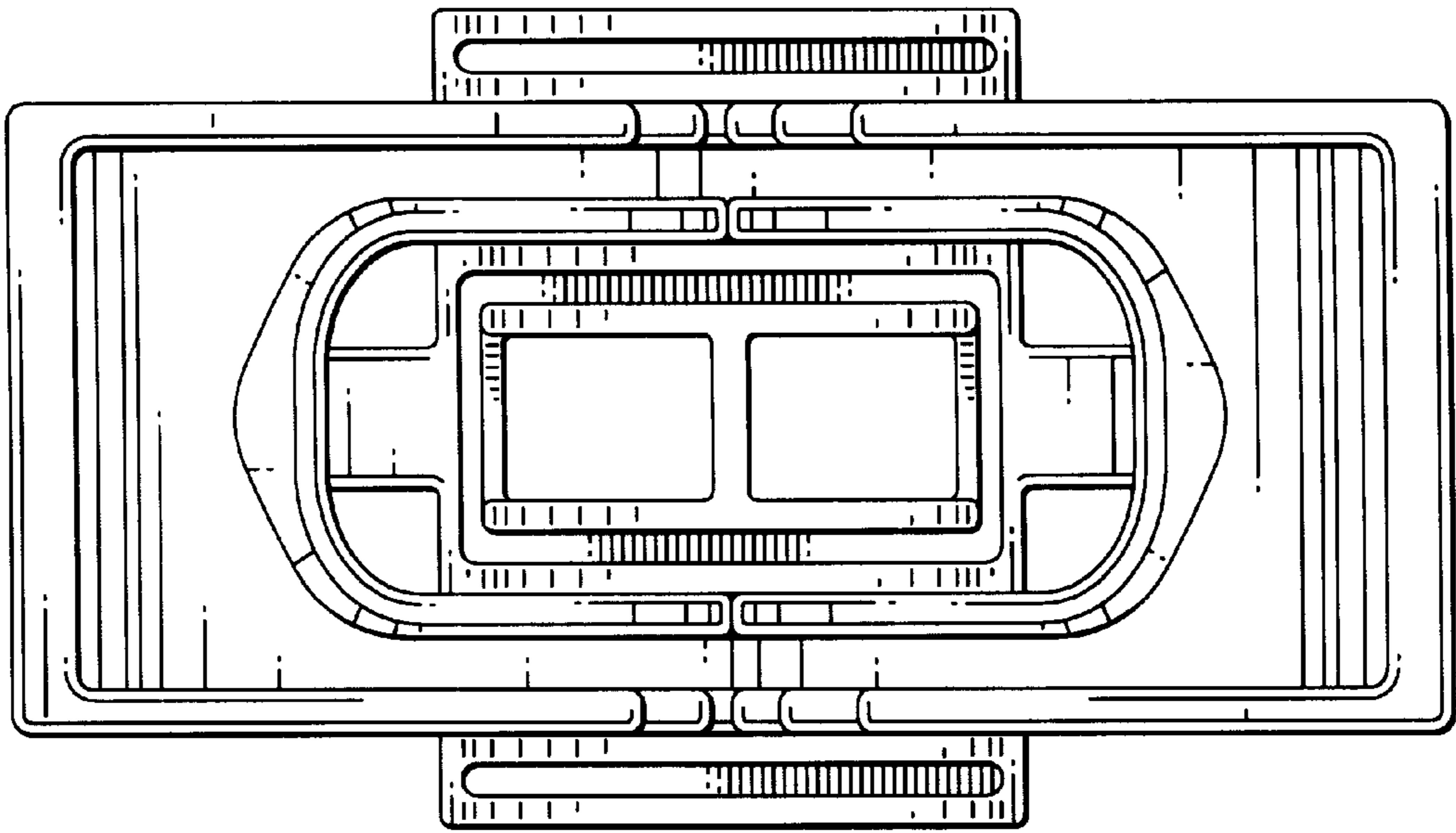


FIG. 2

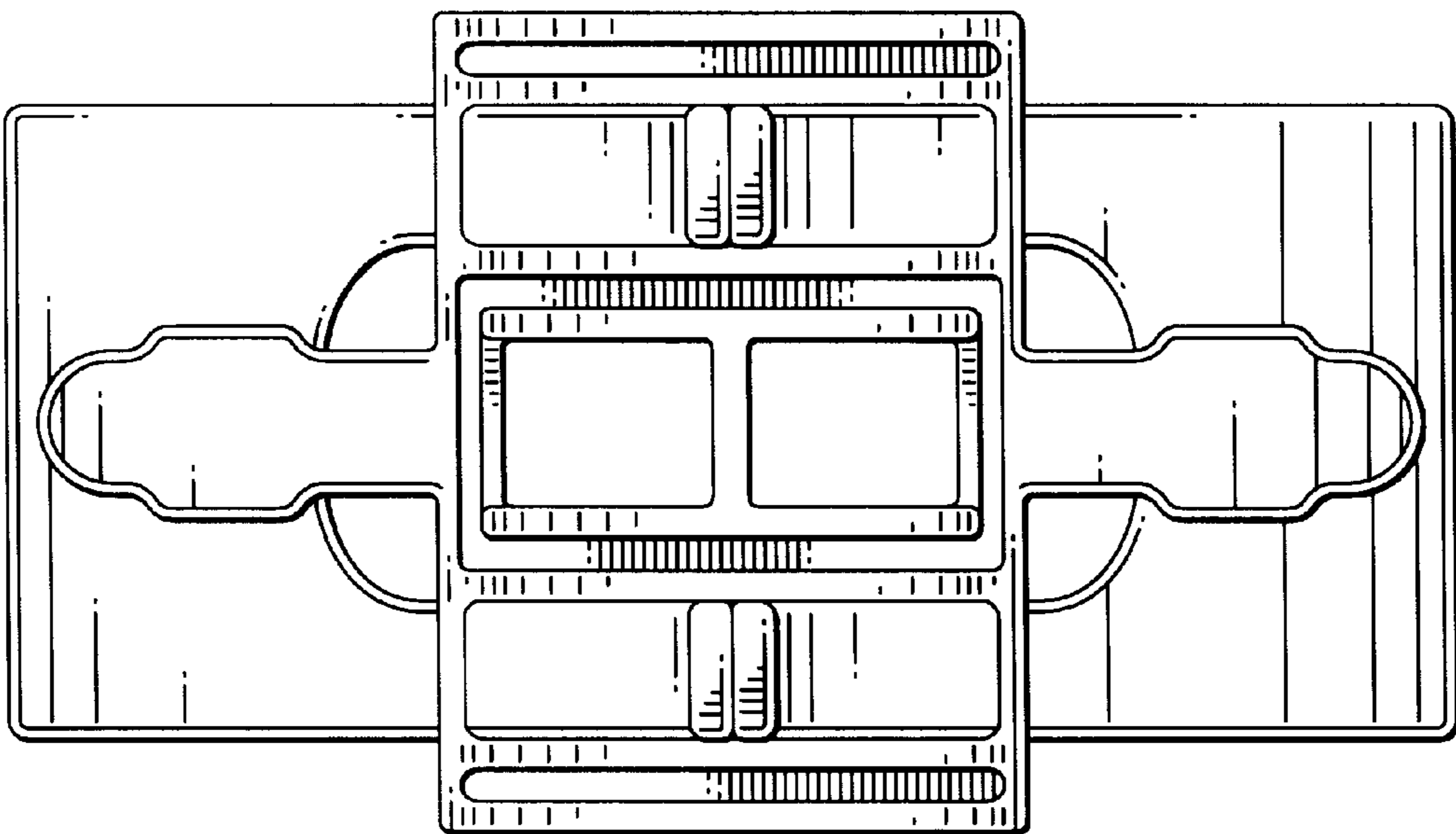


FIG. 3

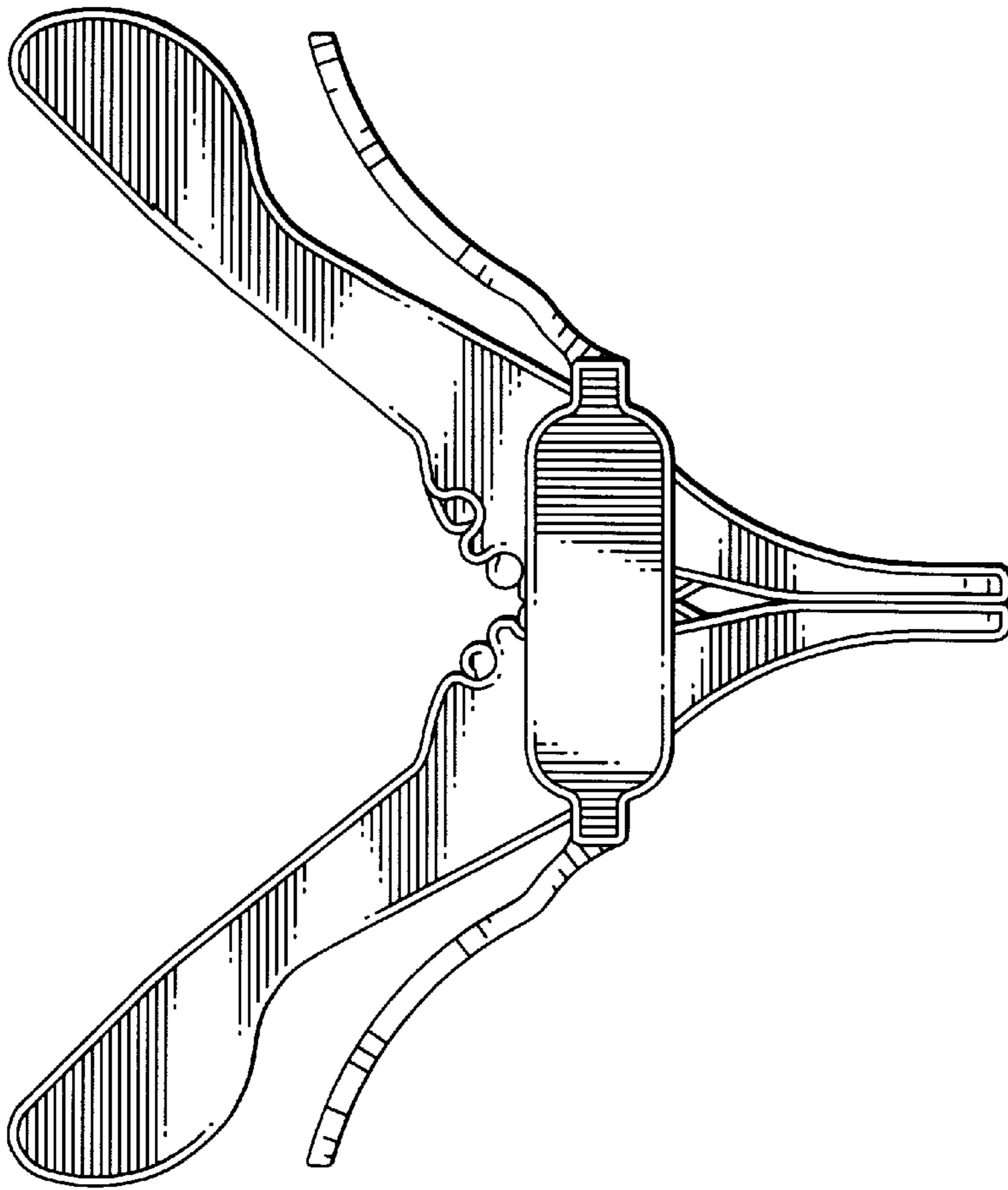


FIG. 5

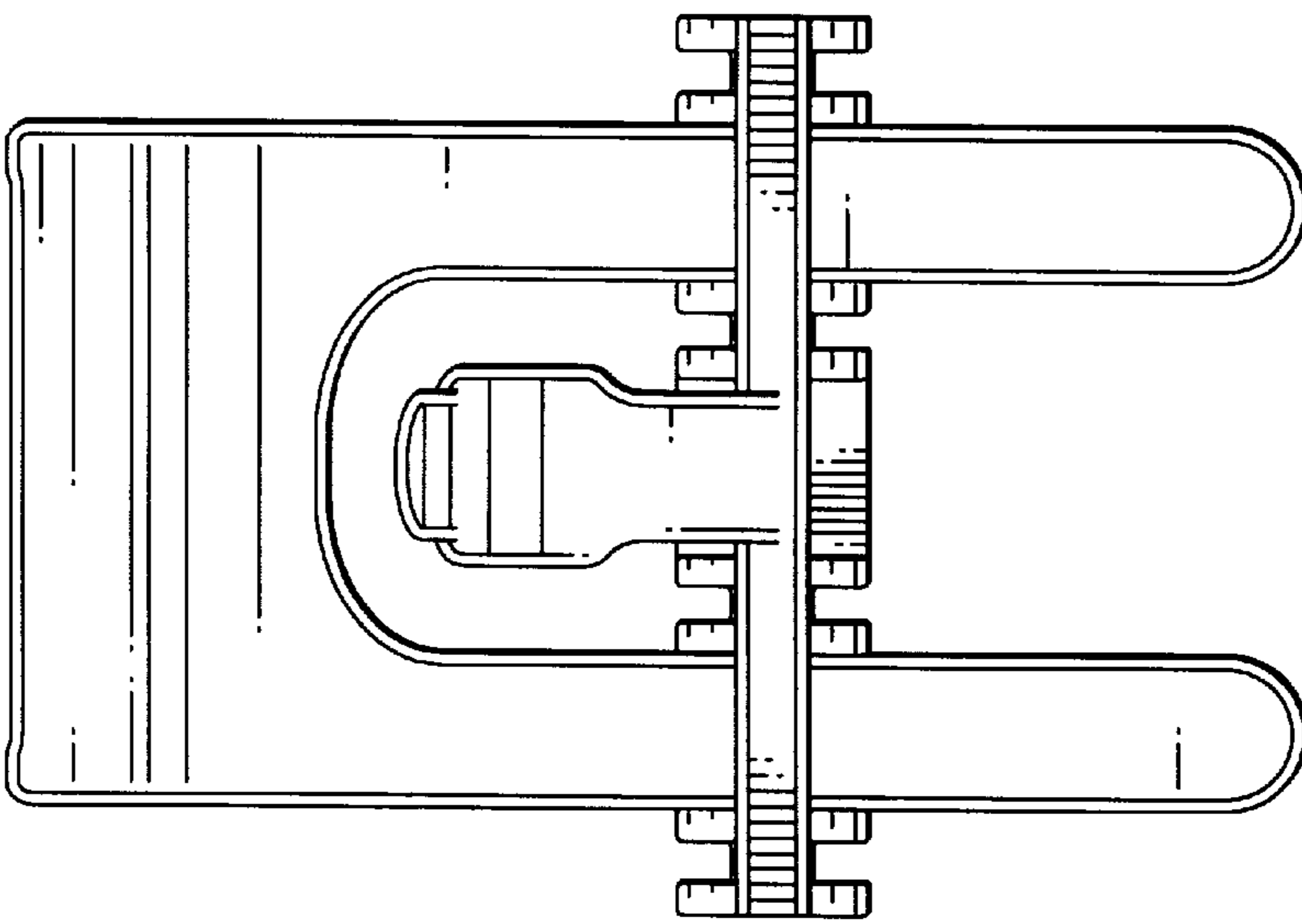


FIG. 4

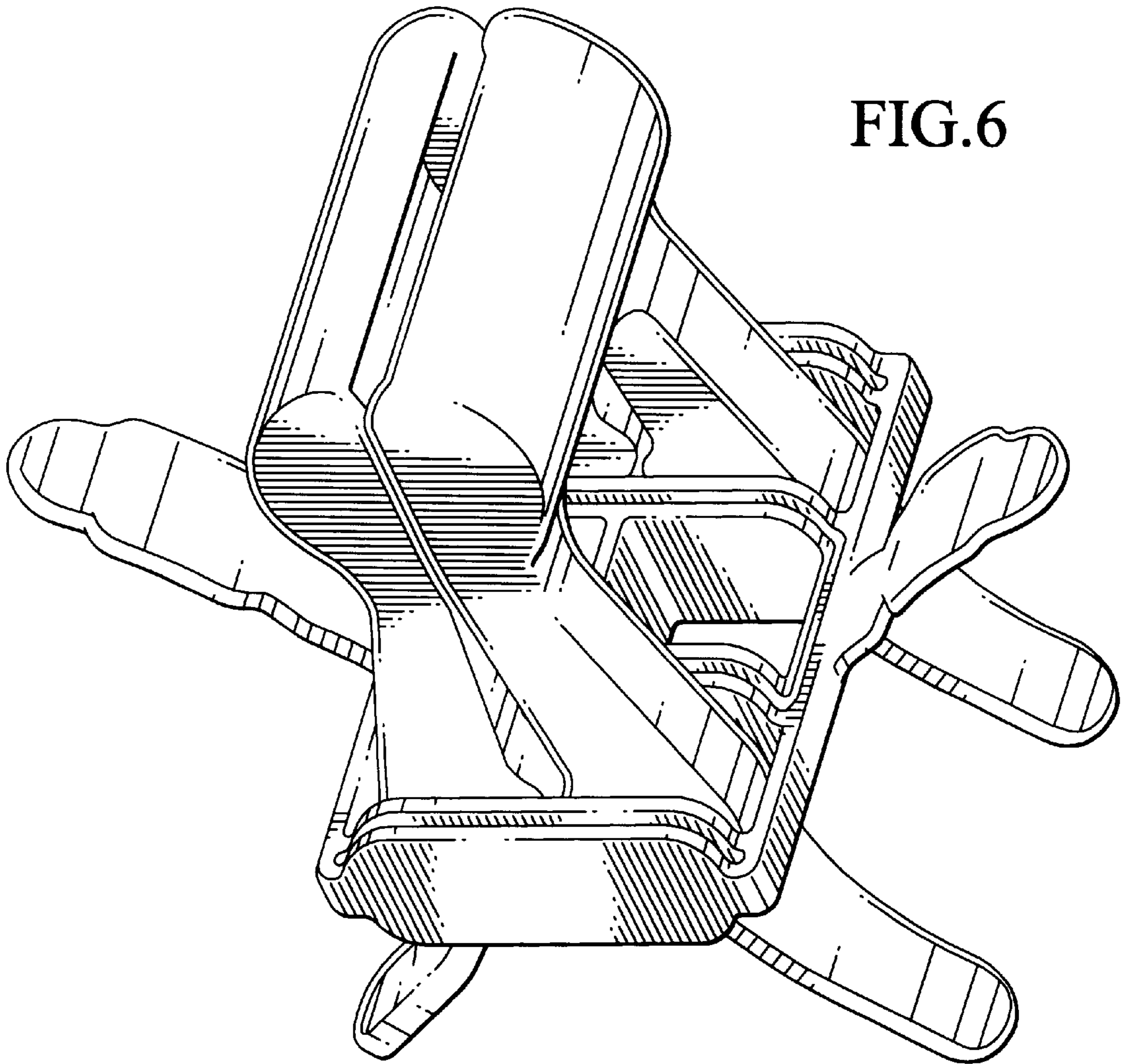


FIG. 6

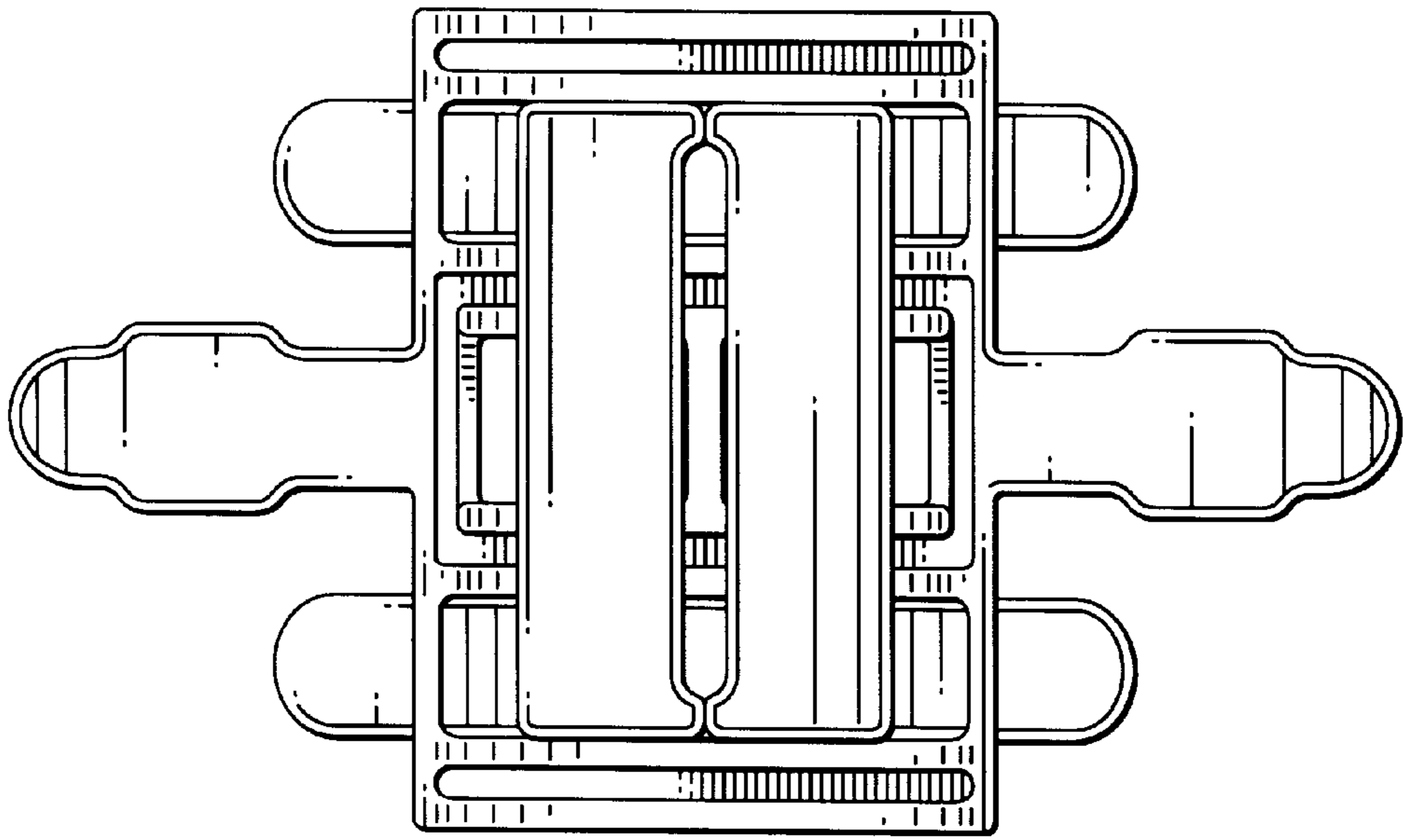


FIG.7

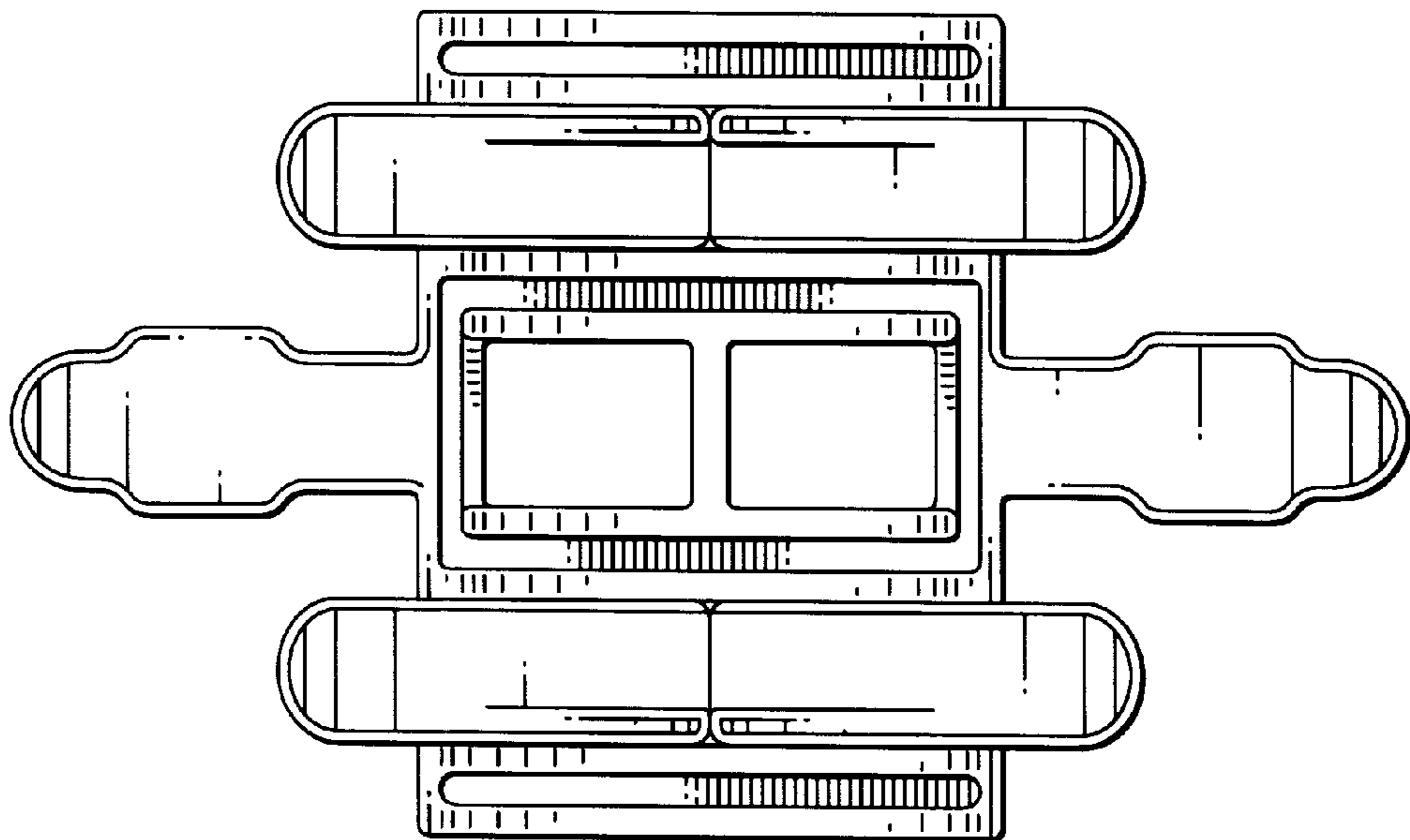


FIG.8

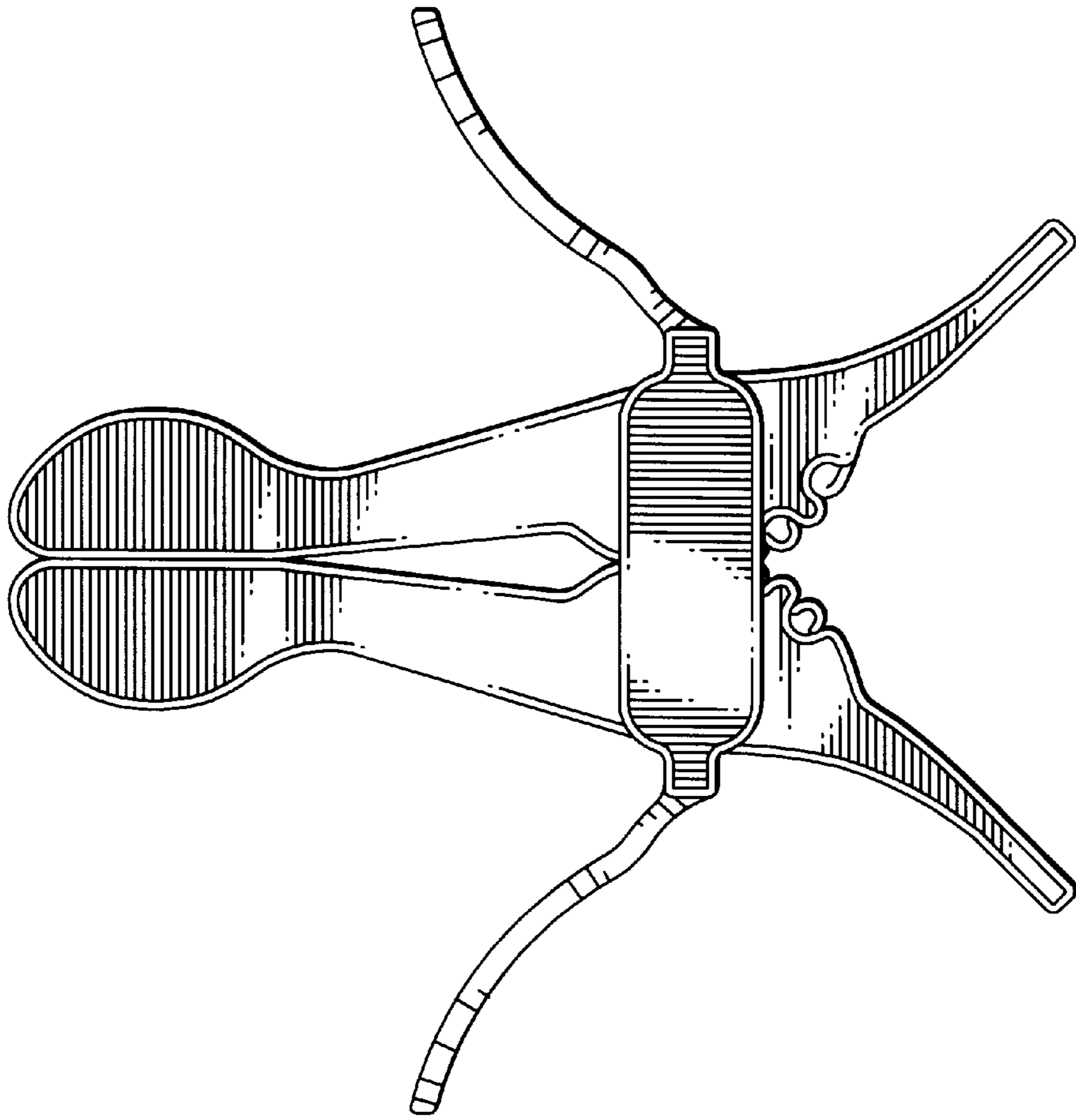


FIG.10

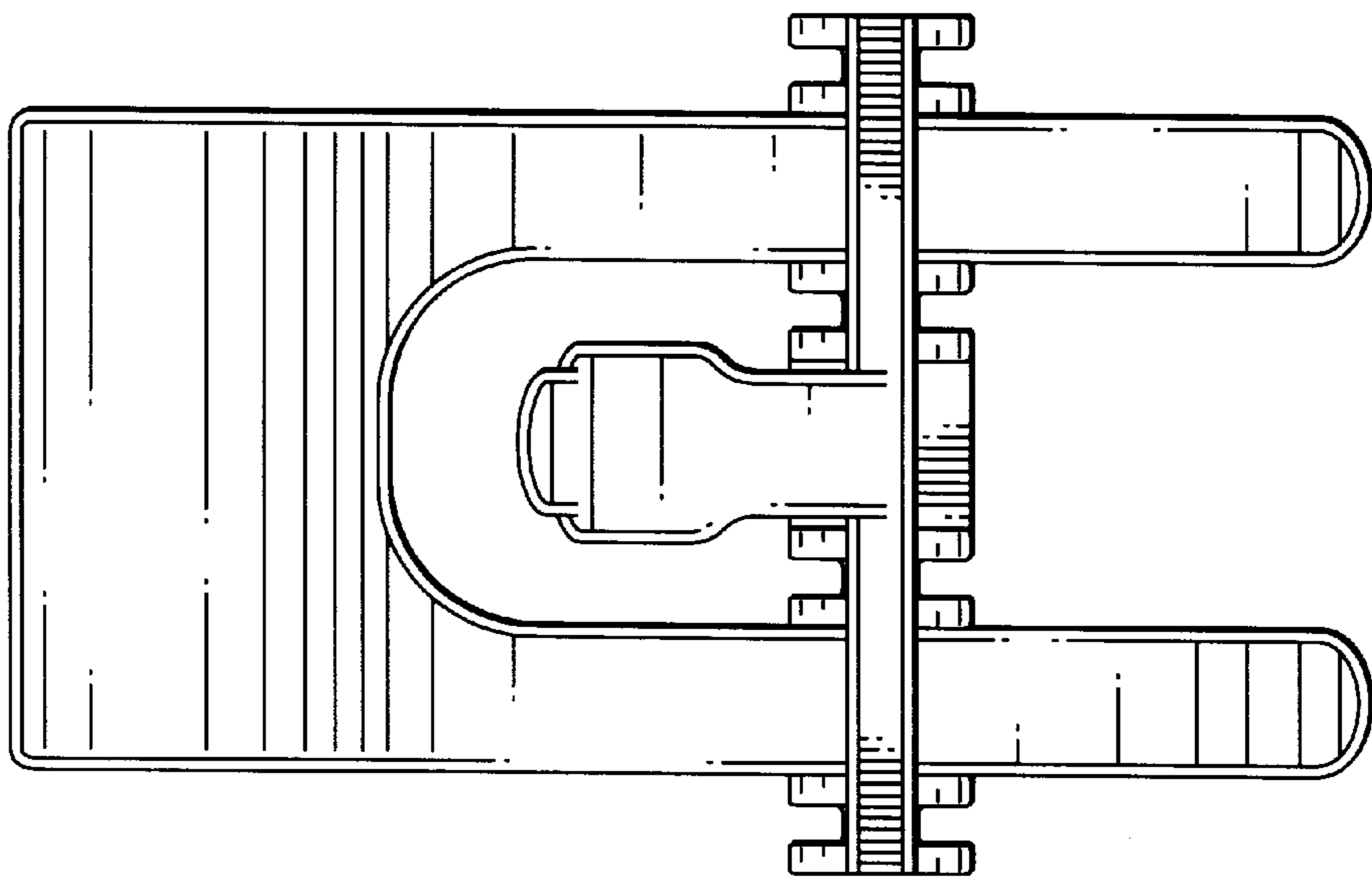


FIG.9