



US00D428986S

United States Patent [19] Dye

[11] Patent Number: **Des. 428,986**

[45] Date of Patent: **** Aug. 1, 2000**

[54] **CEILING FAN HOUSING**

D. 393,902 4/1998 Pickett D23/377

[75] Inventor: **David L. Dye**, Grapevine, Tex.

Primary Examiner—Lisa Lichtenstein
Attorney, Agent, or Firm—Haynes and Boone, LLP

[73] Assignee: **Craftmade International, Inc.**,
Coppell, Tex.

[57] **CLAIM**

[**] Term: **14 Years**

The ornamental design for a ceiling fan housing, as shown and described.

[21] Appl. No.: **29/111,578**

DESCRIPTION

[22] Filed: **Sep. 30, 1999**

FIG. 1 is a bottom perspective view of the ceiling fan housing showing my new design;

[51] **LOC (7) Cl.** **23-04**

FIG. 2 is a side elevational view thereof, all sides being the same;

[52] **U.S. Cl.** **D23/411**

FIG. 3 is a top perspective view thereof; and,

[58] **Field of Search** D23/377, 379,
D23/385, 411, 413; 416/5; 392/364

FIG. 4 is a top plan view thereof.

[56] **References Cited**

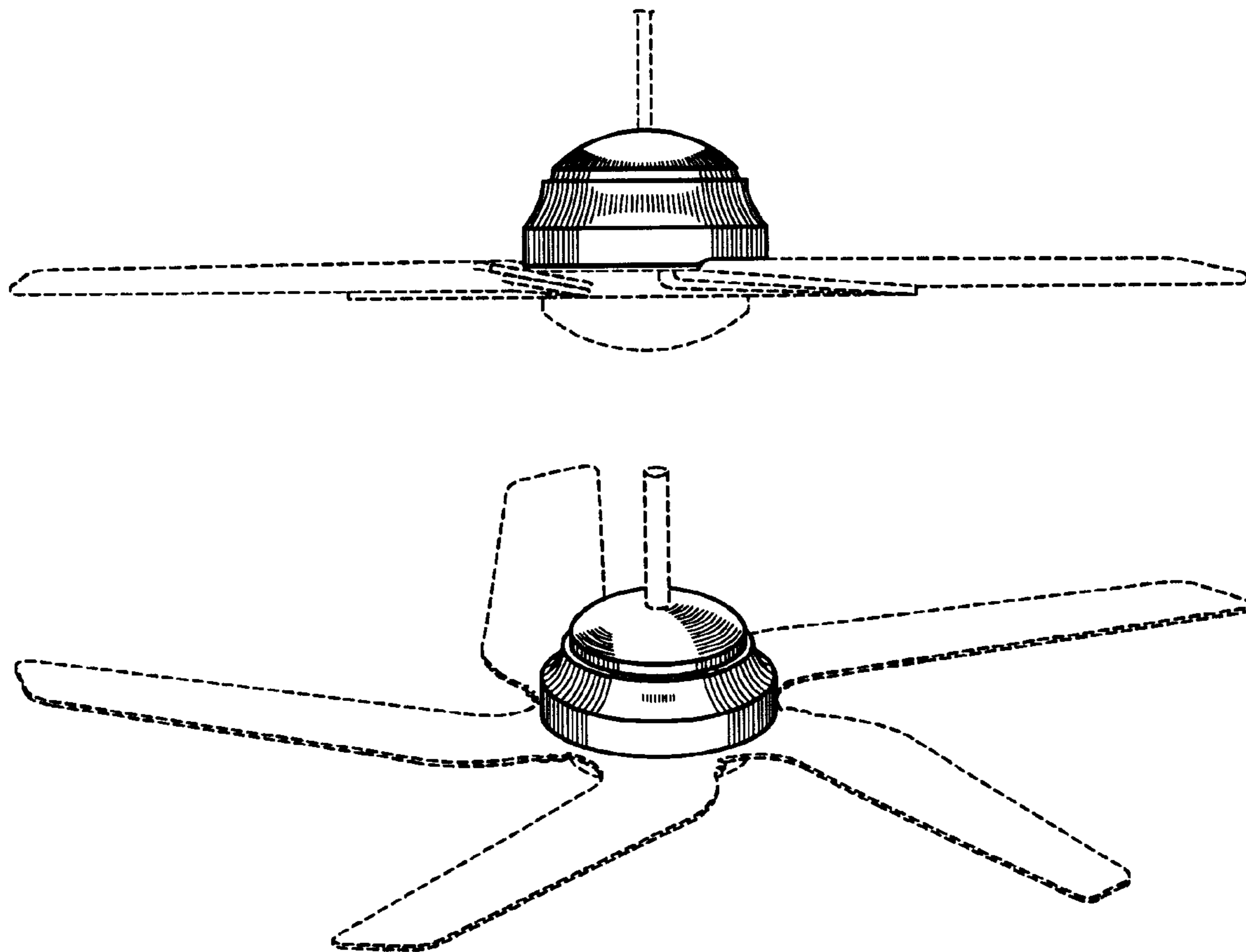
The surface(s) or portion(s) of the article not shown in the drawing or described in the specification form(s) no part of the claimed design.

U.S. PATENT DOCUMENTS

The broken line showing of environmental structure in FIGS. 1-4 is for illustrative purposes only and forms no part of the claimed design.

D. 347,887	6/1994	Liu	D23/377
D. 357,978	5/1995	Young	D23/377
D. 372,080	7/1996	Dolan	D23/411
D. 380,539	7/1997	Liu	D23/377

1 Claim, 2 Drawing Sheets



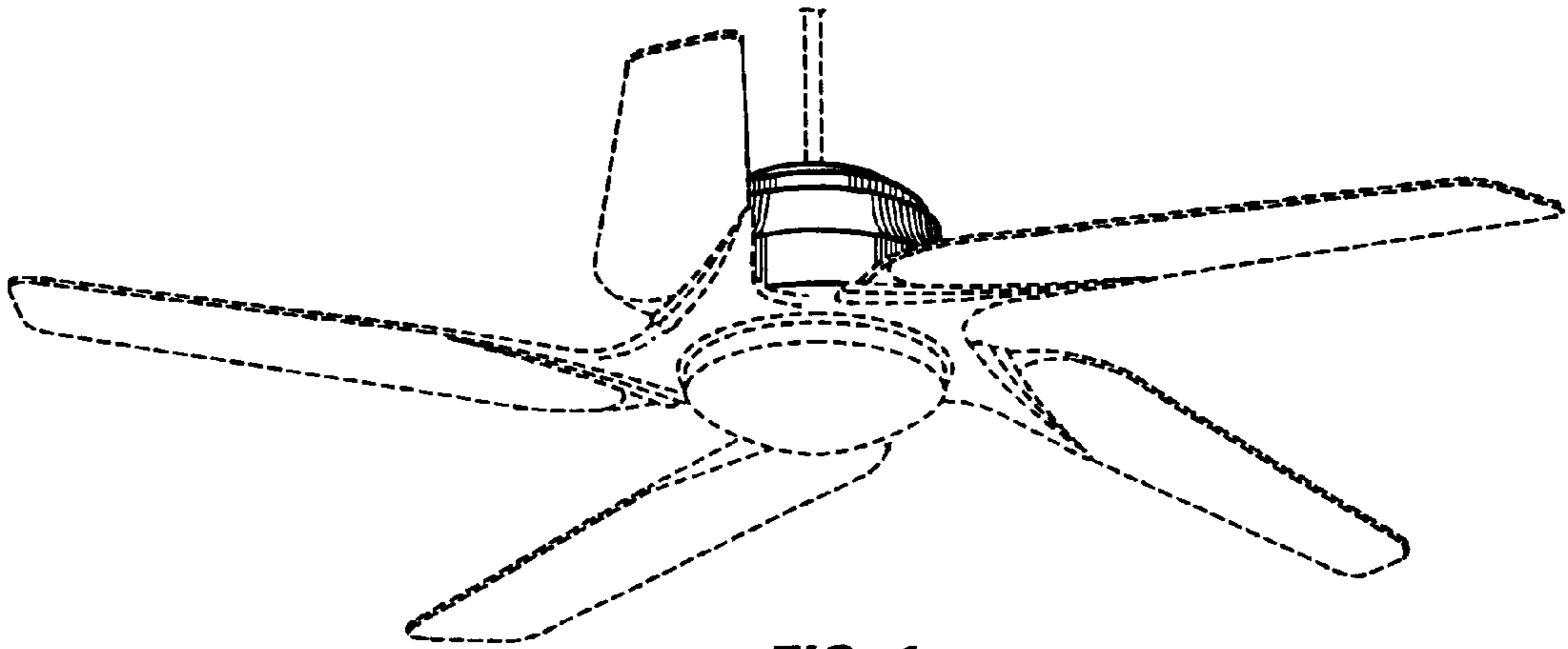


FIG. 1

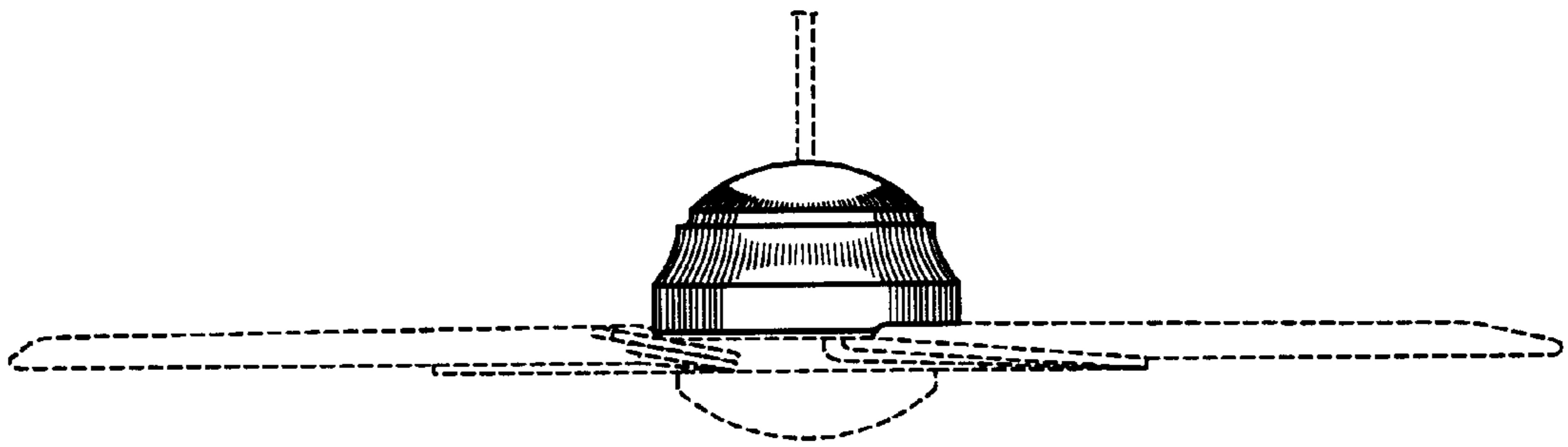


FIG. 2

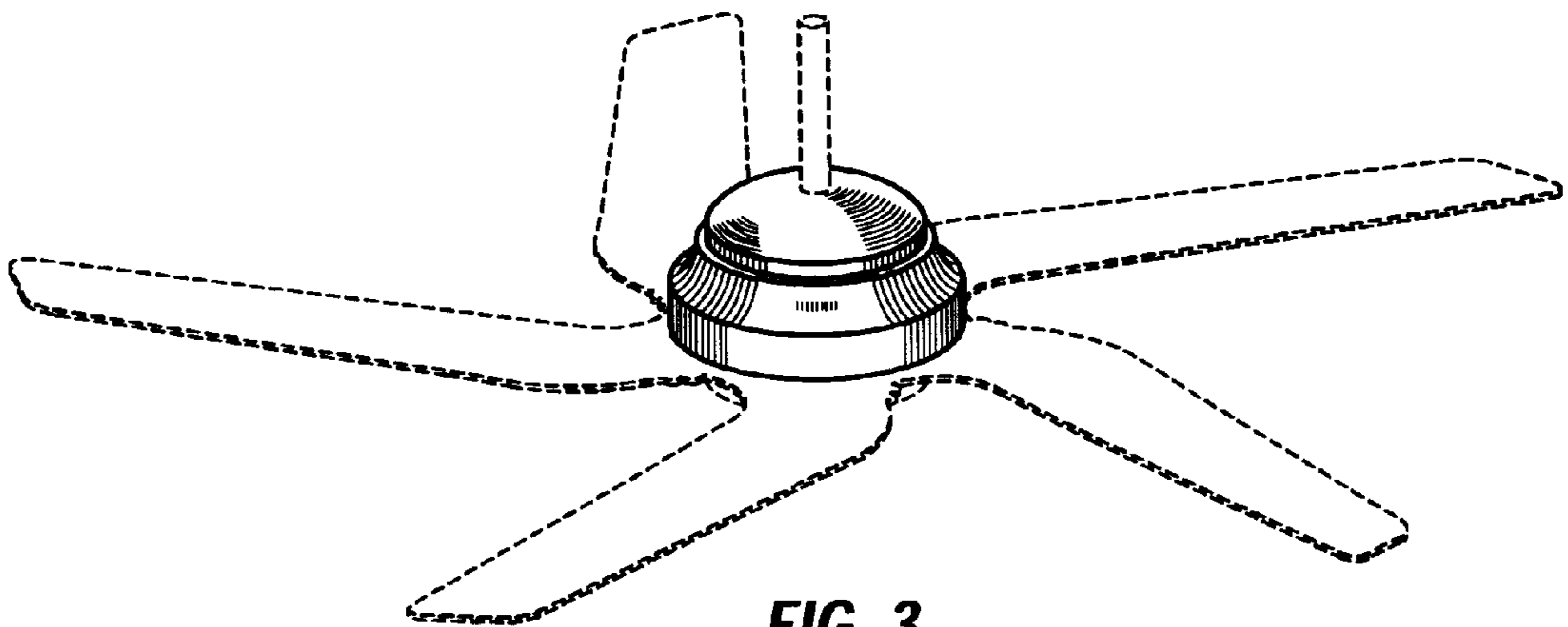


FIG. 3

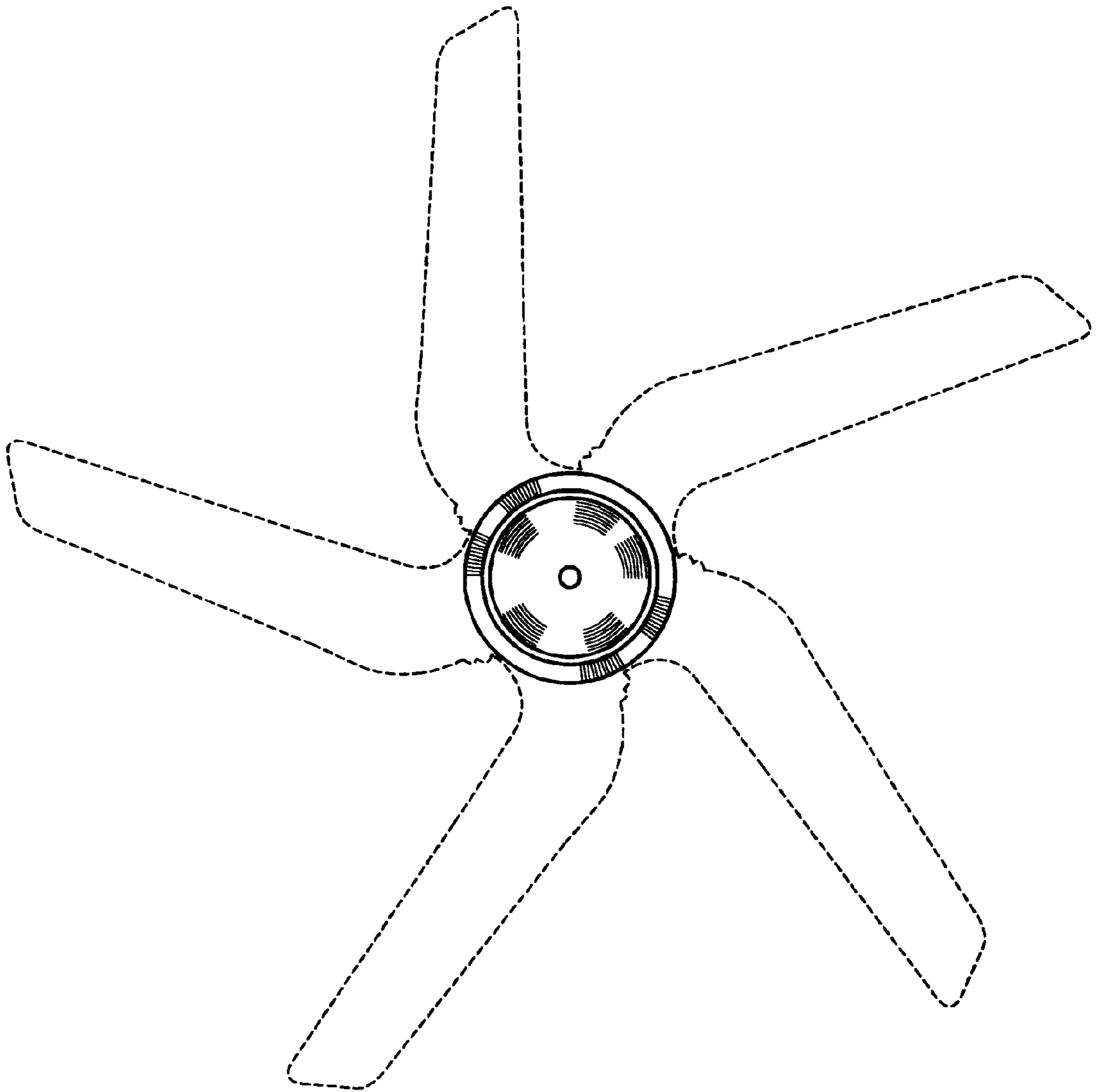


FIG. 4