



US00D428985S

United States Patent [19] Chang

[11] **Patent Number: Des. 428,985**

[45] **Date of Patent: ** Aug. 1, 2000**

[54] **MULTI-FUNCTIONAL FAN**

D. 398,983 9/1998 Keller et al. D23/381
5,295,811 3/1994 Chiu 416/247 R

[76] Inventor: **Kwei-Tang Chang**, No. 14, Lane 54,
Luong Chuan St., Panchiao City, Taipei
Hsien, Taiwan

Primary Examiner—B. J. Bullock
Attorney, Agent, or Firm—Rosenberg, Klein & Lee

[**] Term: **14 Years**

[57] **CLAIM**

The ornamental design for a “multi-functional fan”, as shown and described.

[21] Appl. No.: **29/103,201**

[22] Filed: **Apr. 9, 1999**

DESCRIPTION

[51] **LOC (7) Cl.** **23-04**

FIG. 1 is the perspective view of a multi-functional fan showing my new design;

[52] **U.S. Cl.** **D23/381**

FIG. 2 is the front view thereof;

[58] **Field of Search** D23/329, 332,

FIG. 3 is the rear view thereof;

D23/335, 370, 381, 382; 416/244 R, 247 R;

FIG. 4 is the left side view thereof;

417/213.1; 392/373-6, 365-9; 415/213.1

FIG. 5 is the right side view thereof;

[56] **References Cited**

FIG. 6 is the top view thereof; and

U.S. PATENT DOCUMENTS

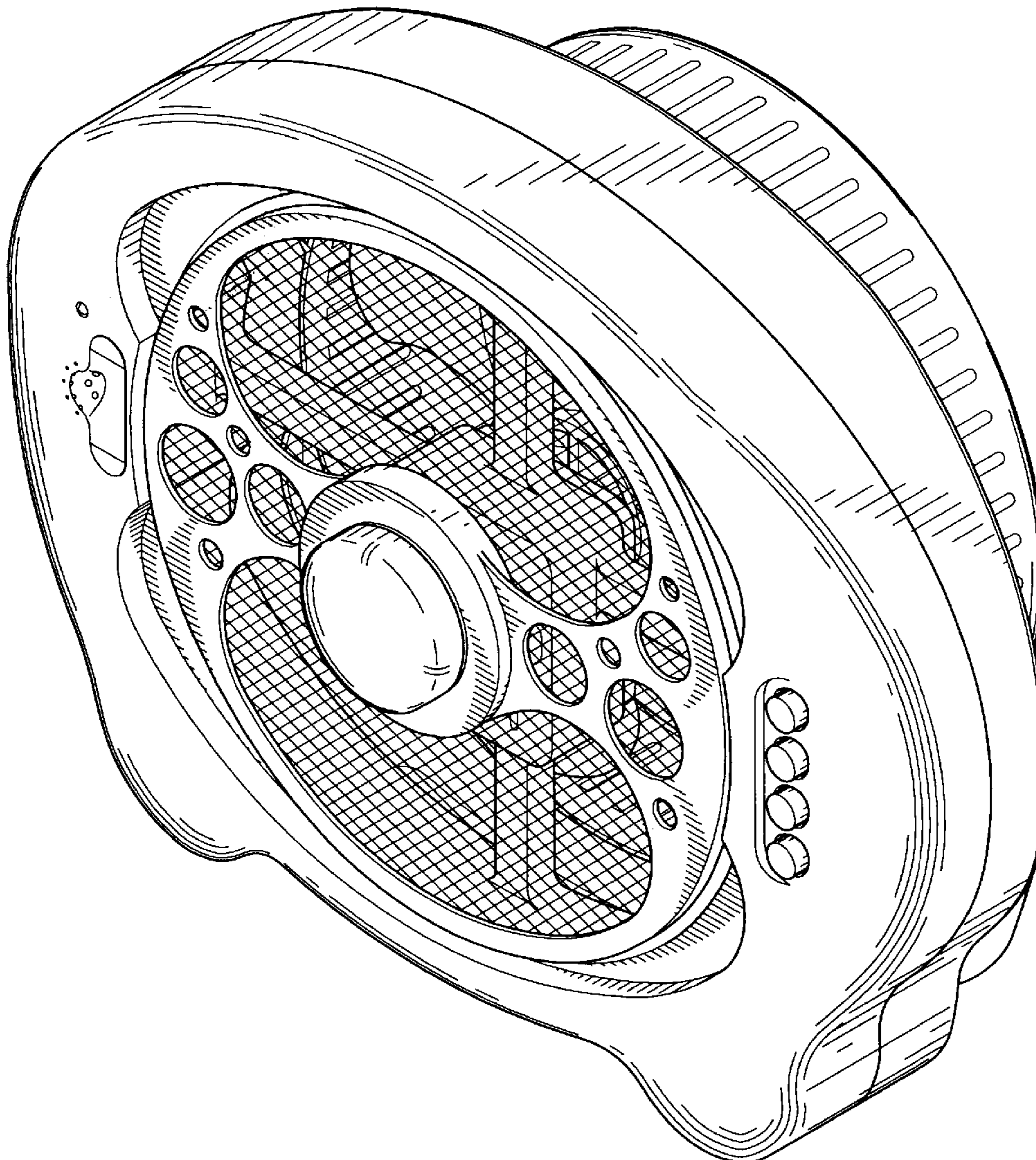
FIG. 7 is the bottom view thereof; and,

D. 154,927 8/1949 Jones .

FIG. 8 is the embodiment view thereof.

D. 190,891 7/1961 Mobley .

1 Claim, 5 Drawing Sheets



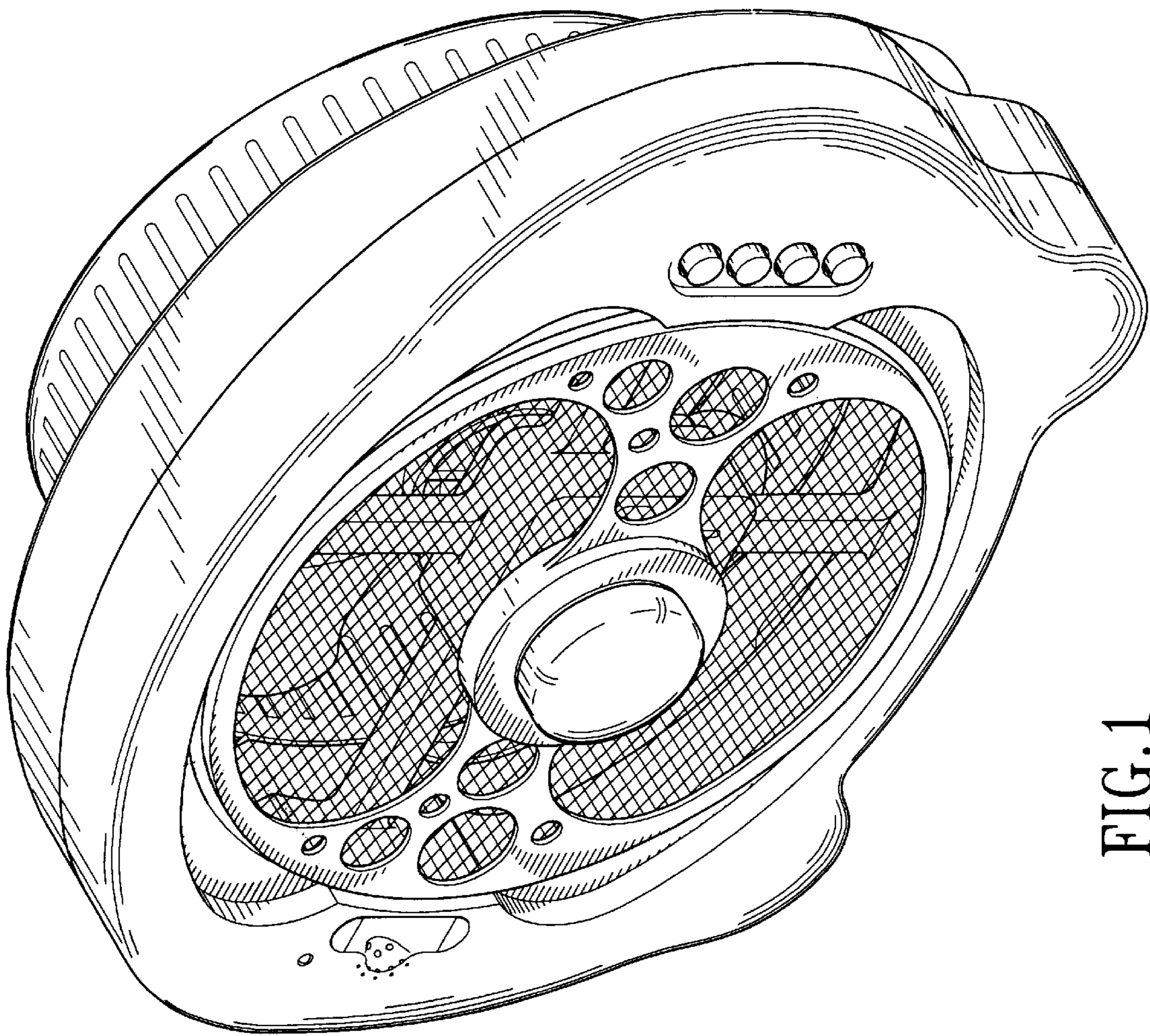


FIG. 1

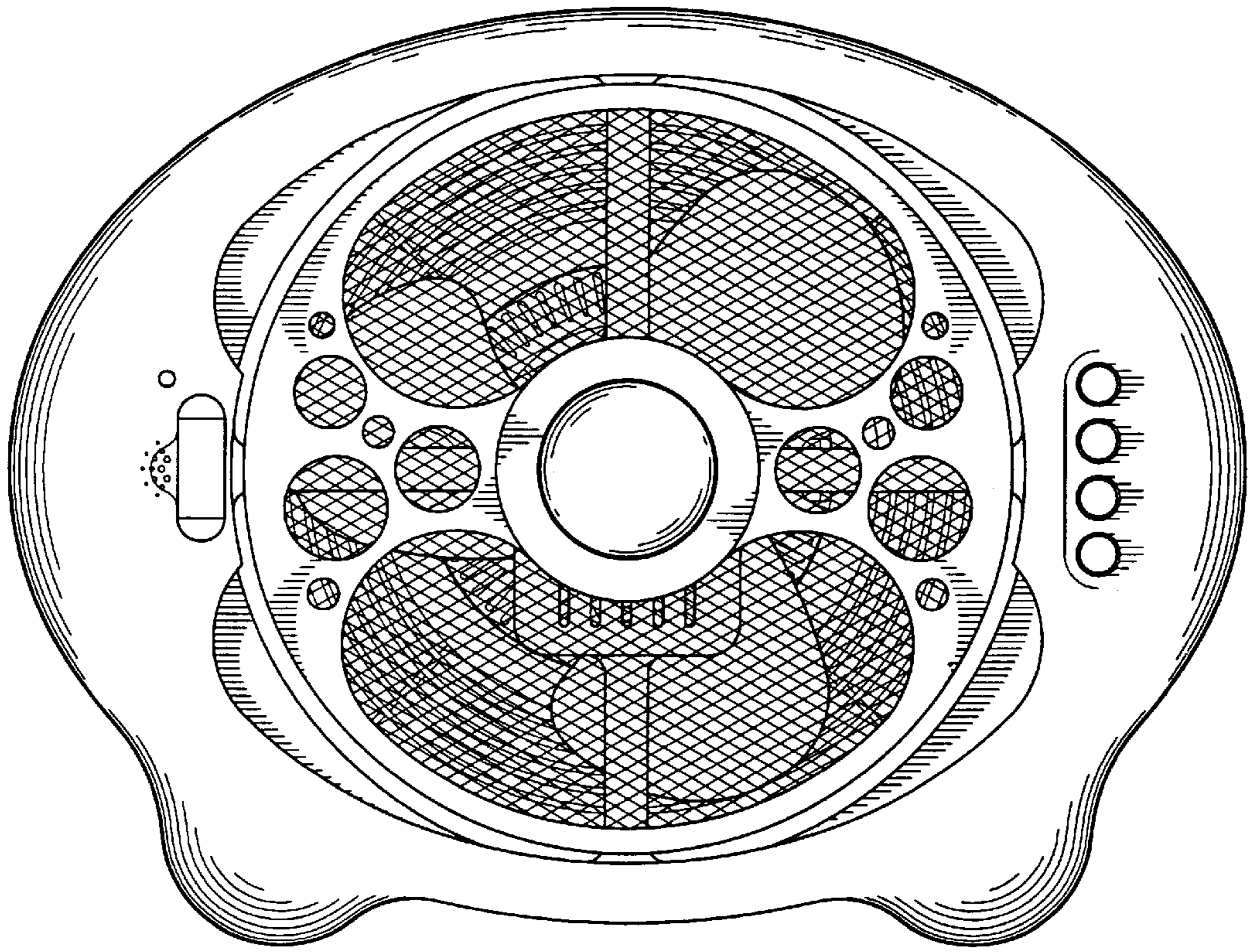


FIG. 2

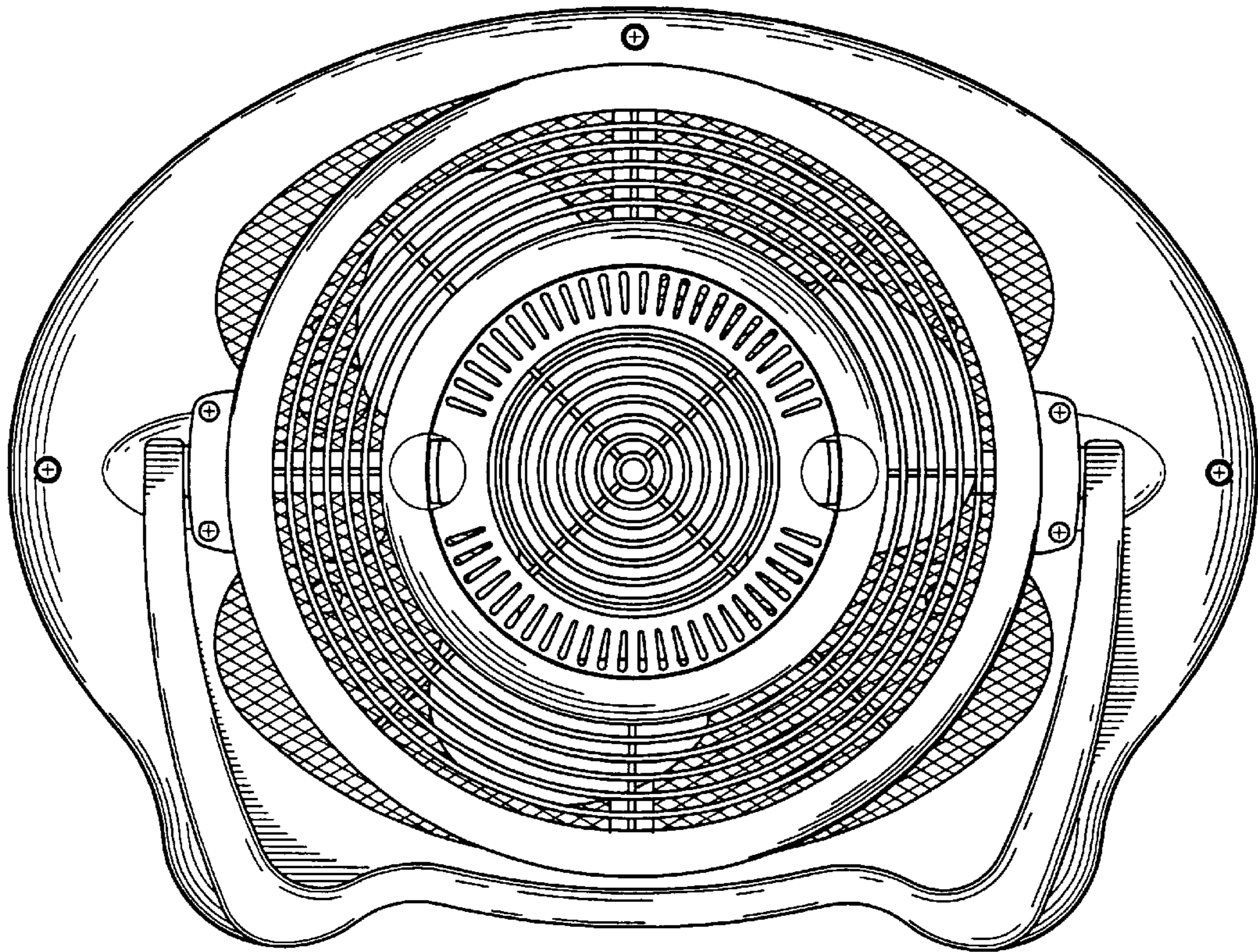


FIG. 3

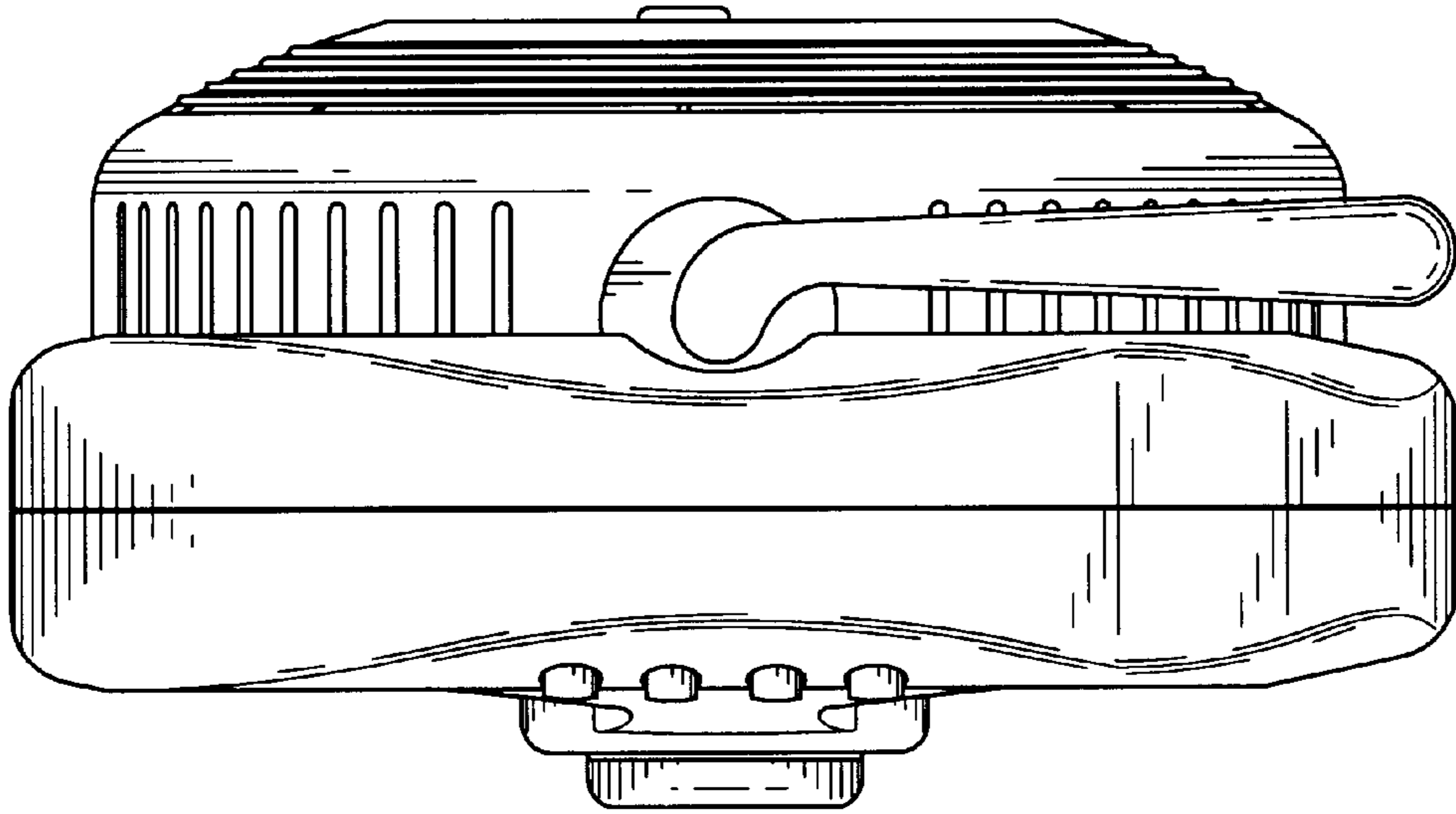


FIG. 5

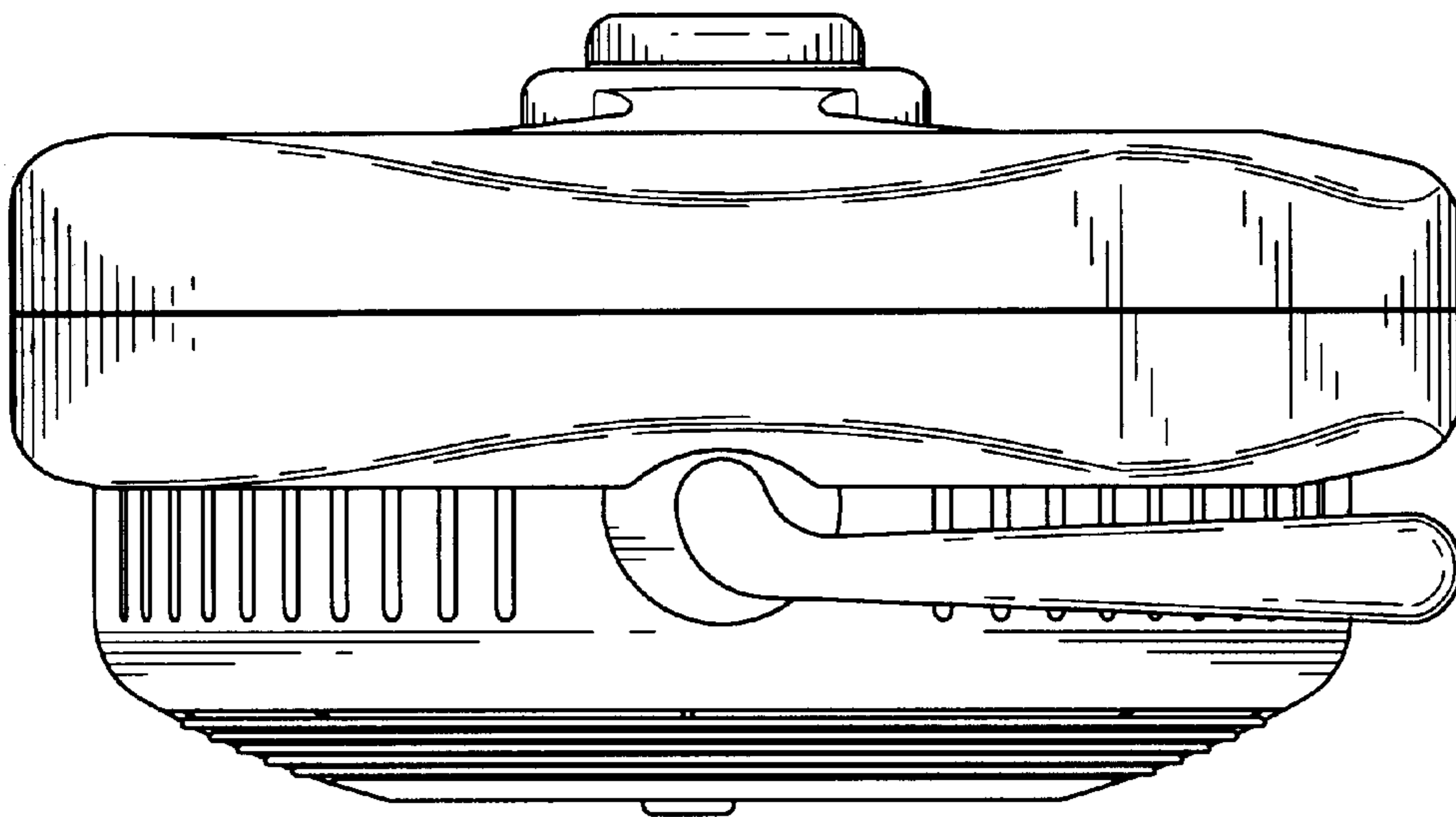


FIG. 4

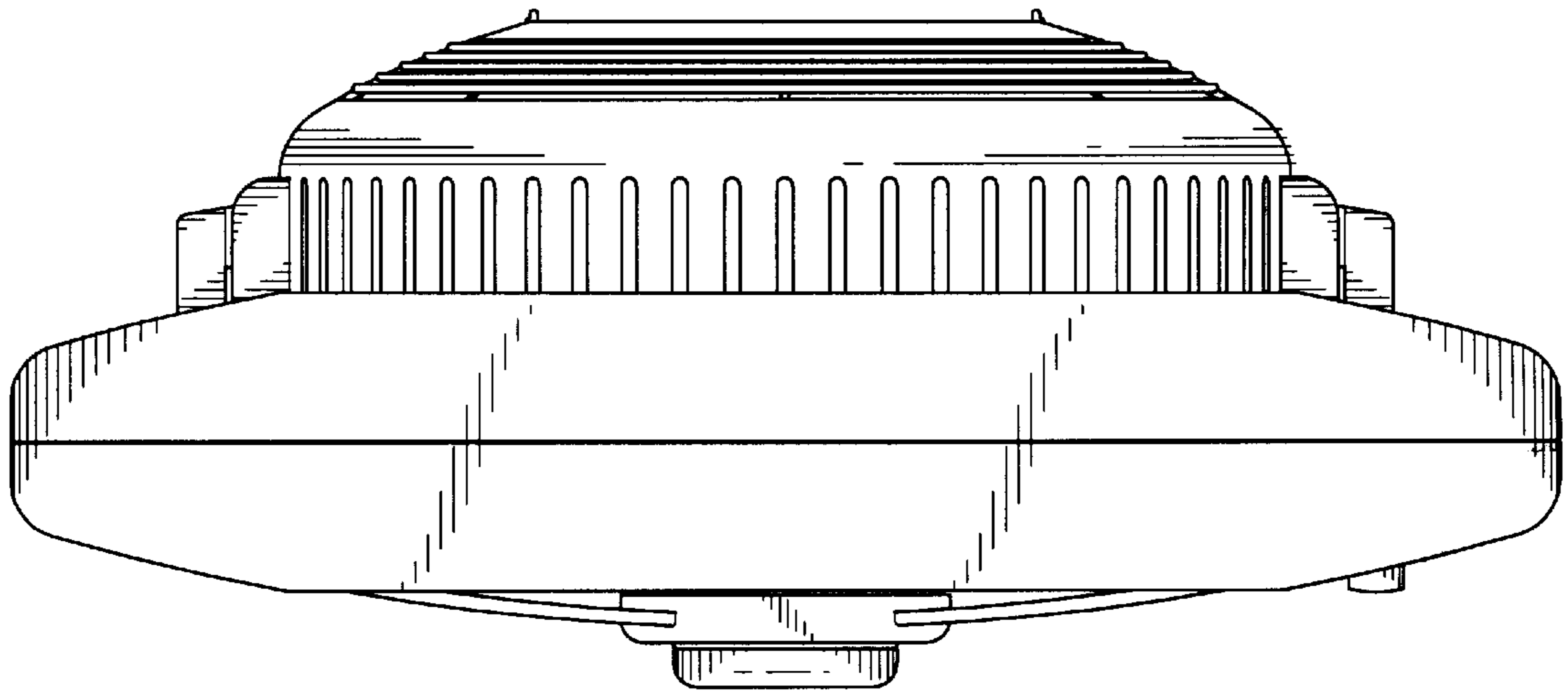


FIG. 6

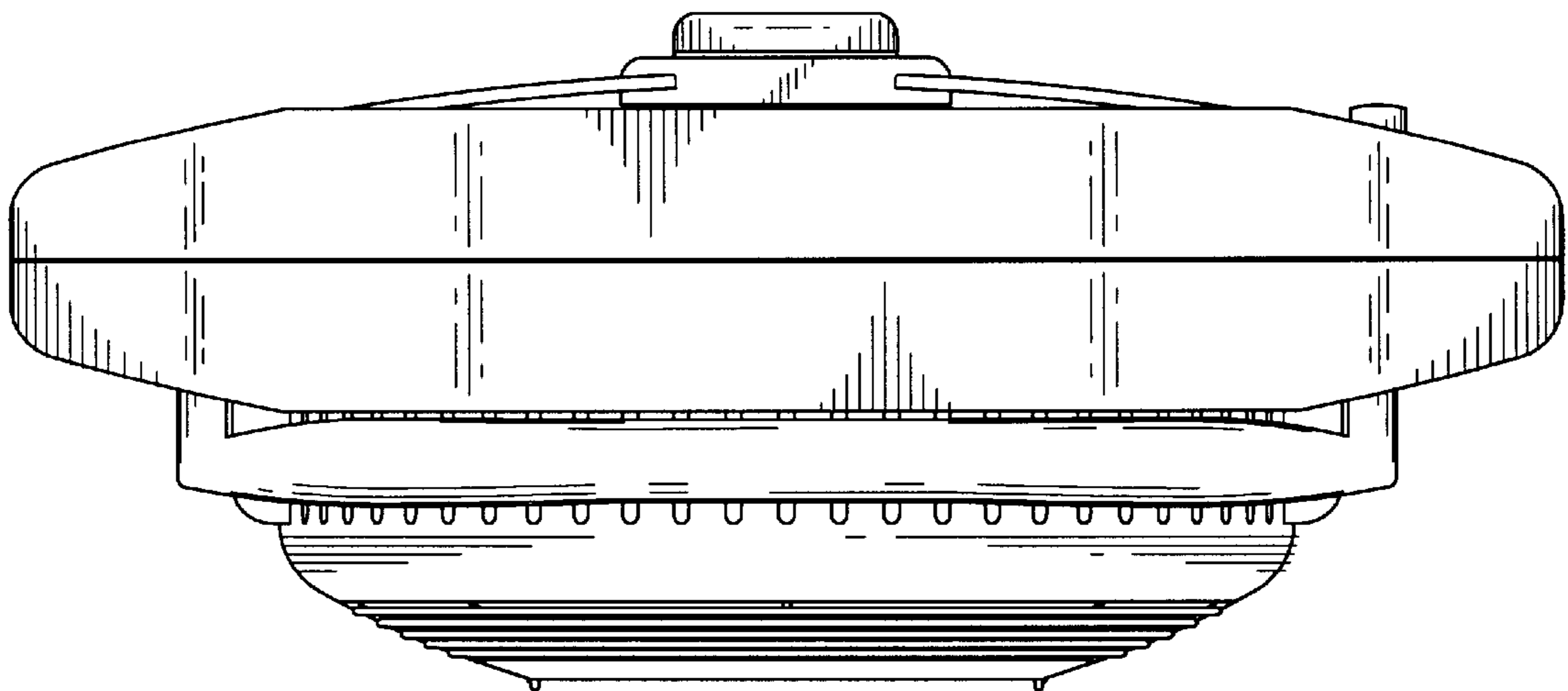


FIG. 7

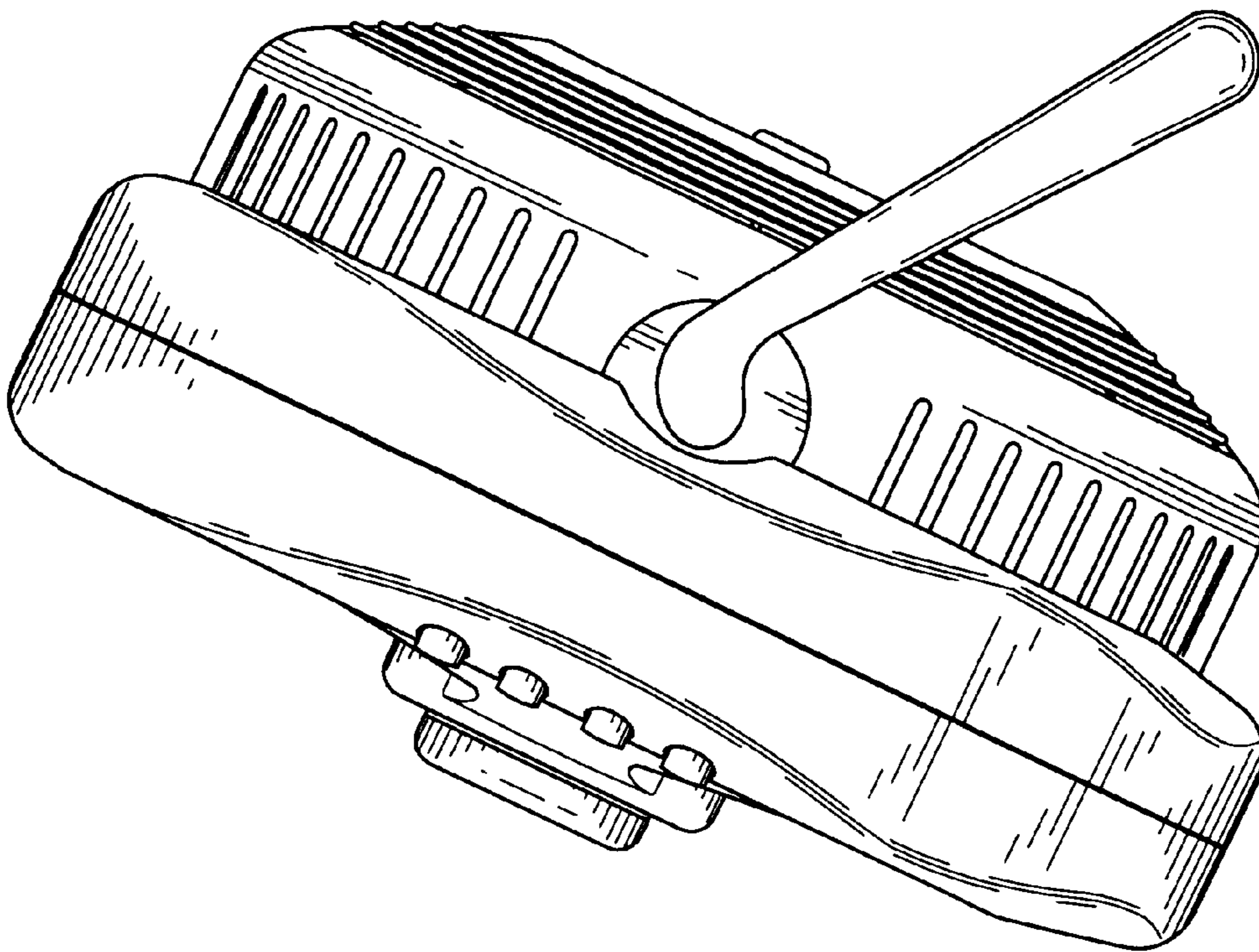


FIG.8