



US00D428984S

**United States Patent** [19]  
**Lee**

[11] **Patent Number: Des. 428,984**

[45] **Date of Patent: \*\* Aug. 1, 2000**

[54] **COMBINED CEILING FAN AND LIGHT  
FIXTURE**

[76] Inventor: **Ching-Tan Lee**, No.52, Lane 480, Sec  
2, Fenghsi Rd., Taichung Hsien, Taiwan

[\*\*] Term: **14 Years**

[21] Appl. No.: **29/113,575**

[22] Filed: **Nov. 9, 1999**

[51] **LOC (7) Cl.** ..... **23-04**

[52] **U.S. Cl.** ..... **D23/377; D23/379; D26/59**

[58] **Field of Search** ..... **D23/377, 379,  
D23/385, 411, 413; D26/59; 416/5**

[56] **References Cited**

**U.S. PATENT DOCUMENTS**

D. 355,027 1/1995 Young ..... D23/377

D. 382,636 8/1997 Yang ..... D23/377

*Primary Examiner*—Lisa Lichtenstein  
*Attorney, Agent, or Firm*—Rosenberg, Klein & Lee

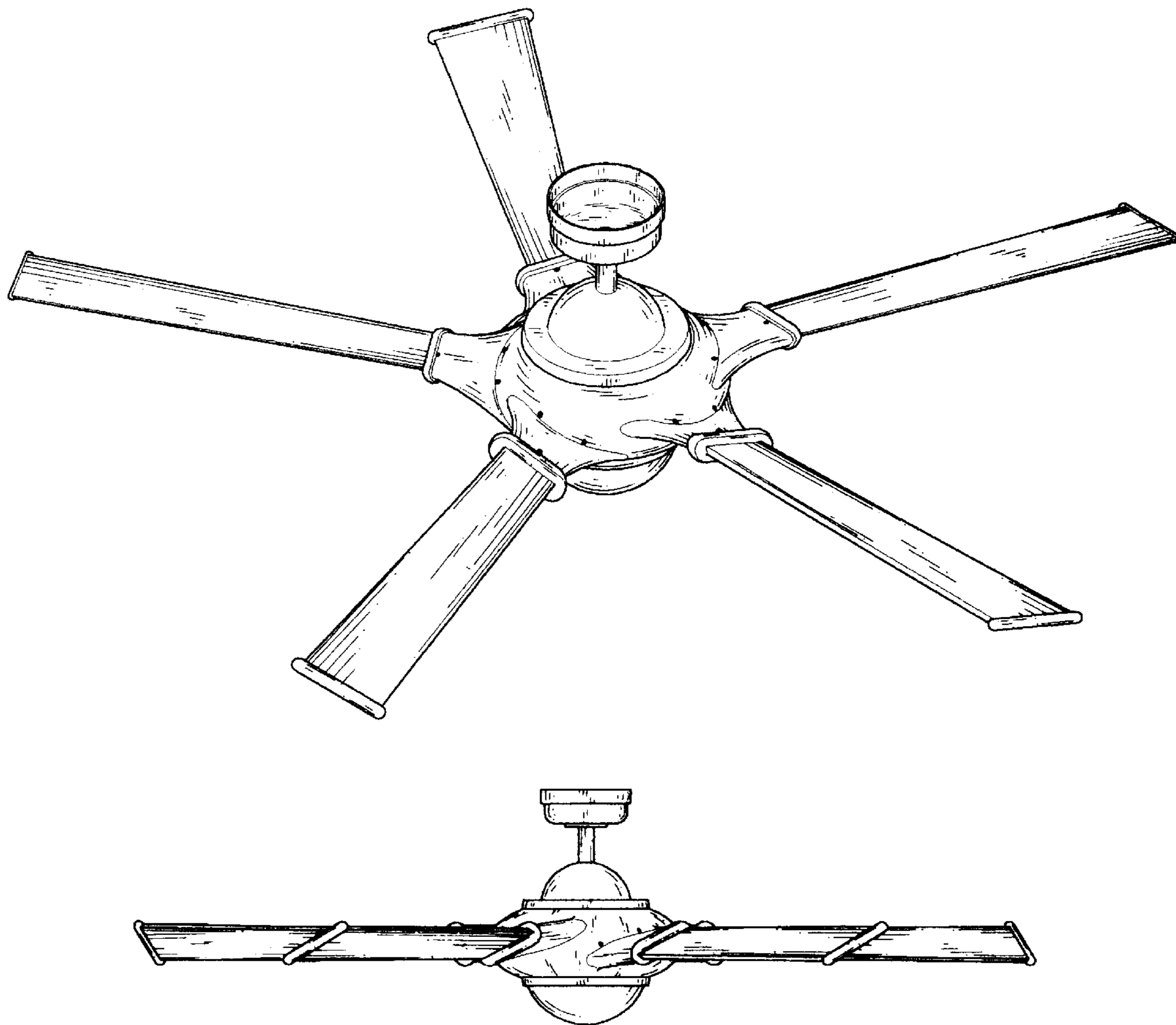
[57] **CLAIM**

The ornamental design for a combined ceiling fan and light fixture, as shown and described.

**DESCRIPTION**

FIG. 1 is a front-left-top perspective view of a combined ceiling fan and light fixture, showing my new design; FIG. 2 is a front elevational view thereof; FIG. 3 is a rear elevational view thereof; FIG. 4 is a left elevational view thereof; FIG. 5 is a right elevational view thereof; FIG. 6 is a top plan view thereof; and, FIG. 7 is a bottom plan view thereof.

**1 Claim, 5 Drawing Sheets**



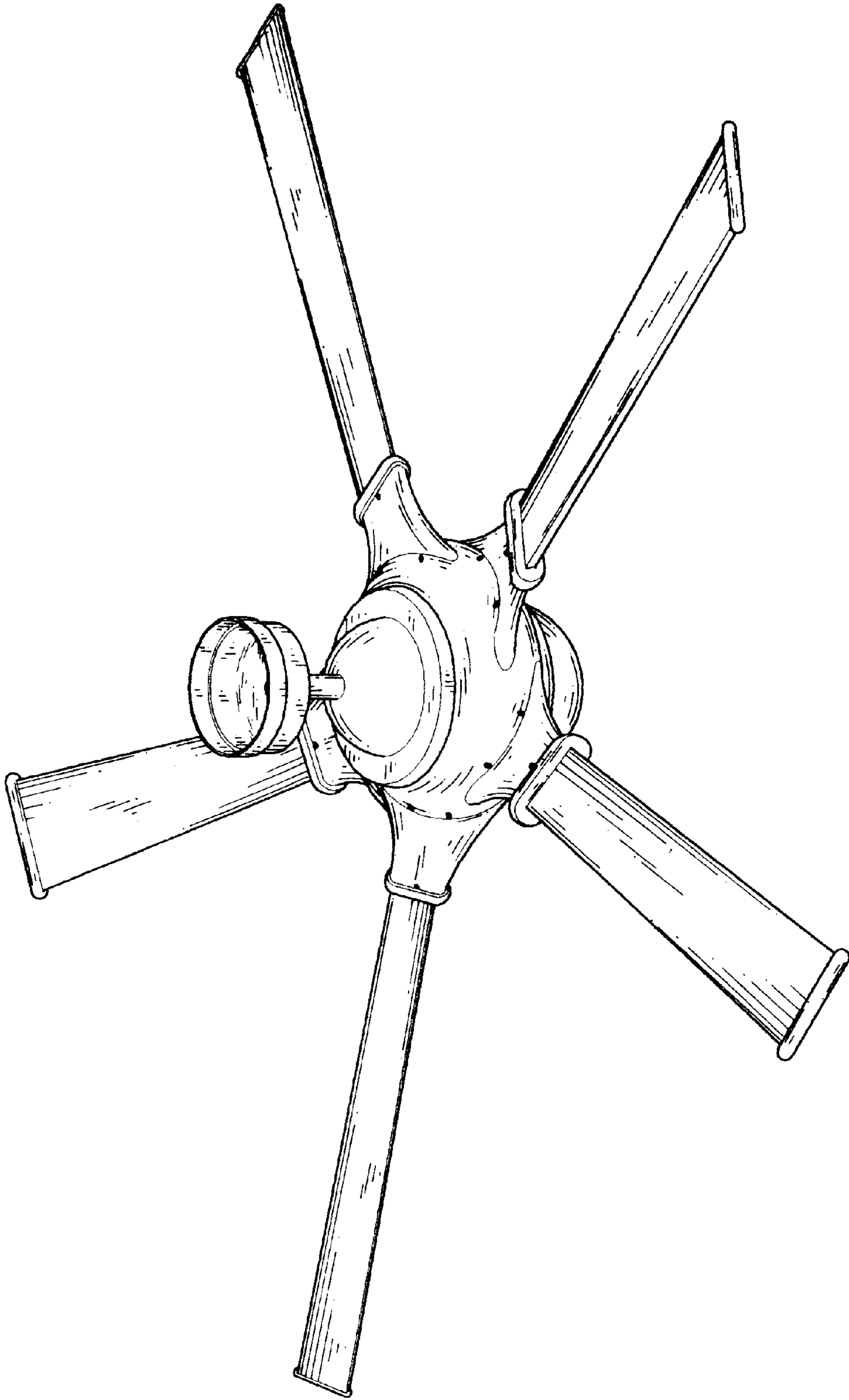


FIG. 1

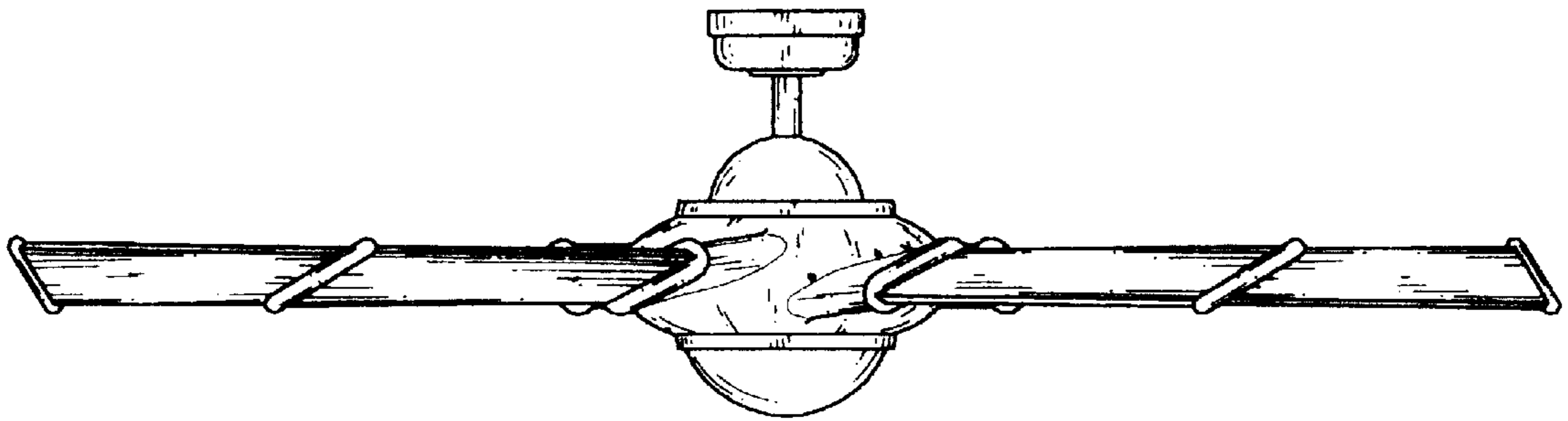


FIG. 2

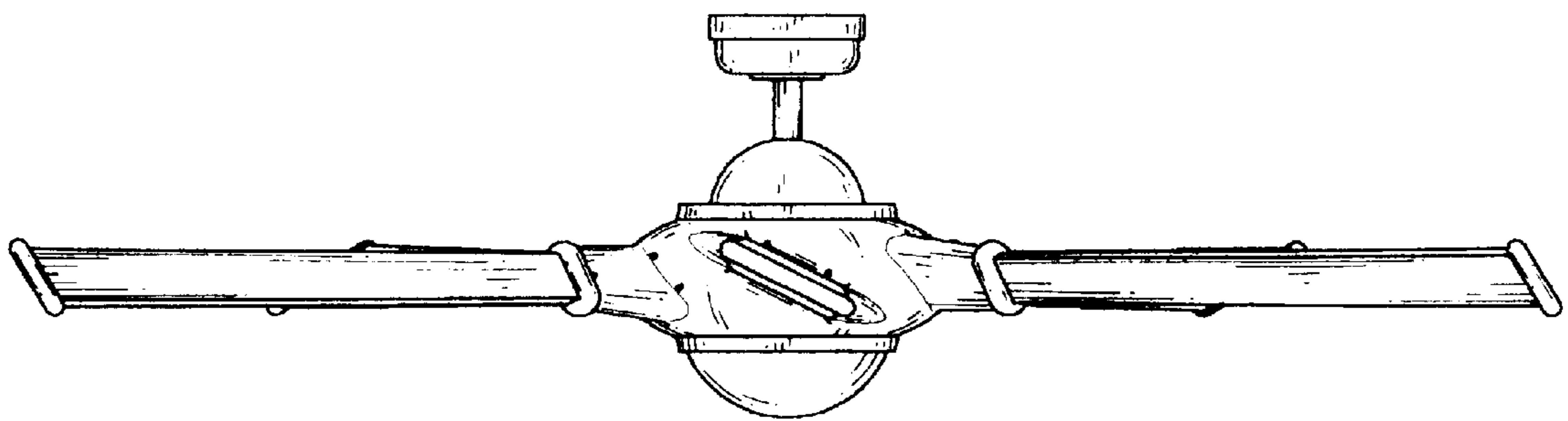


FIG. 3

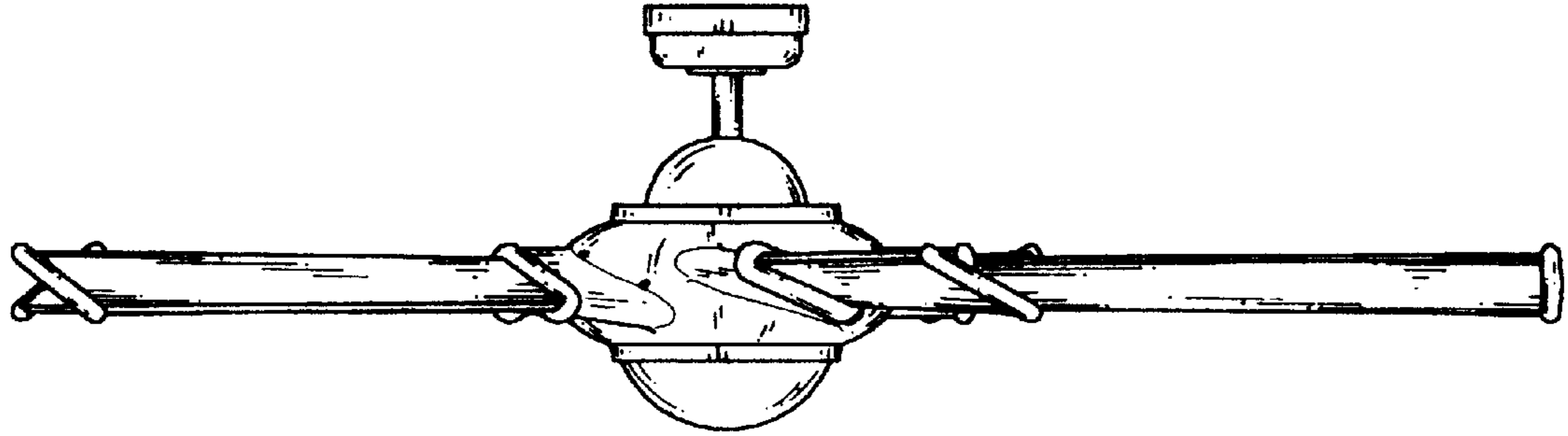


FIG. 5

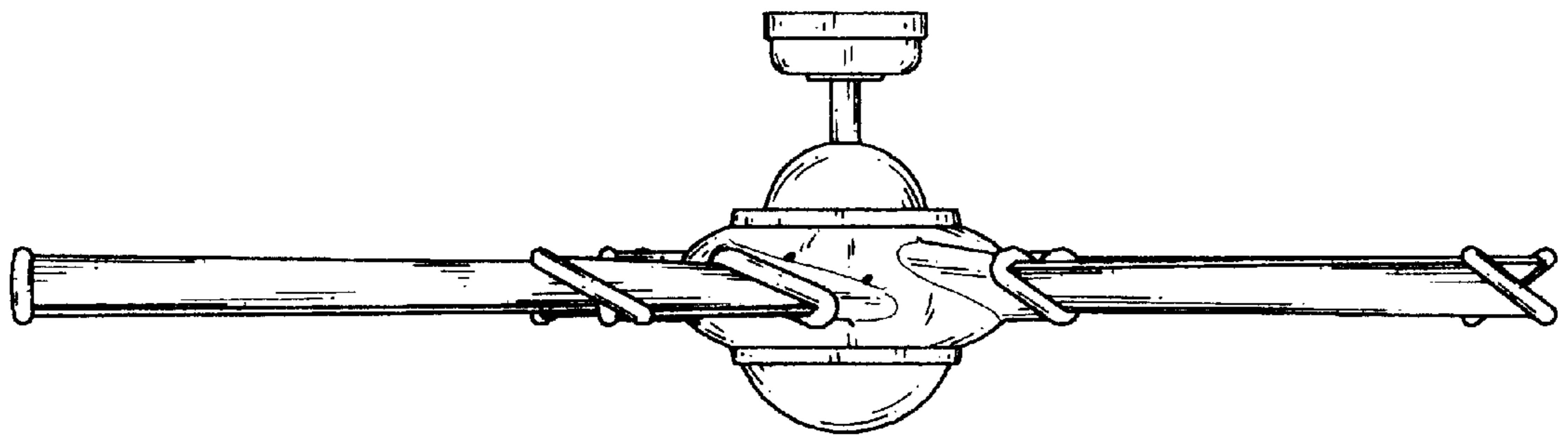


FIG. 4

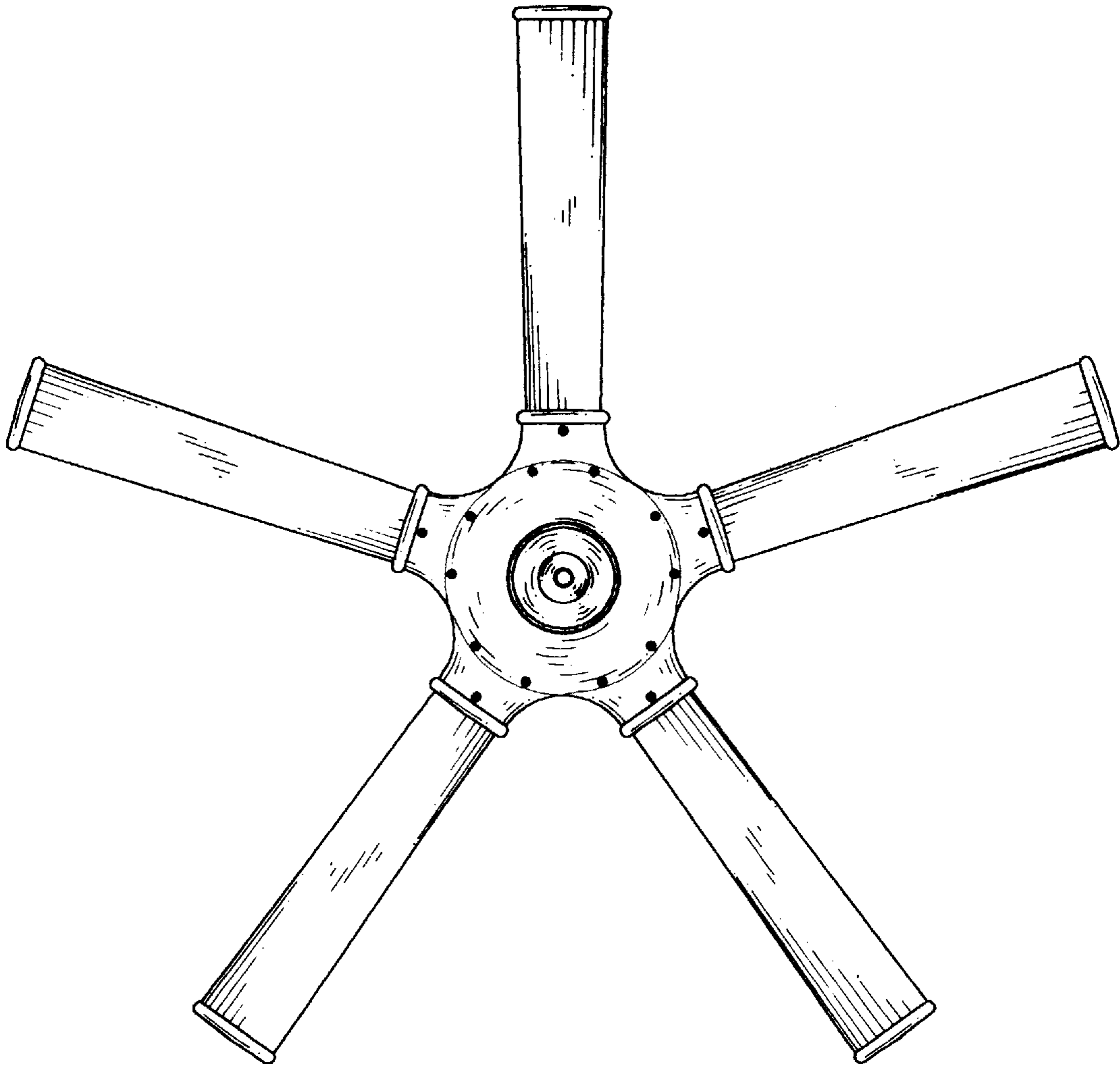


FIG.6

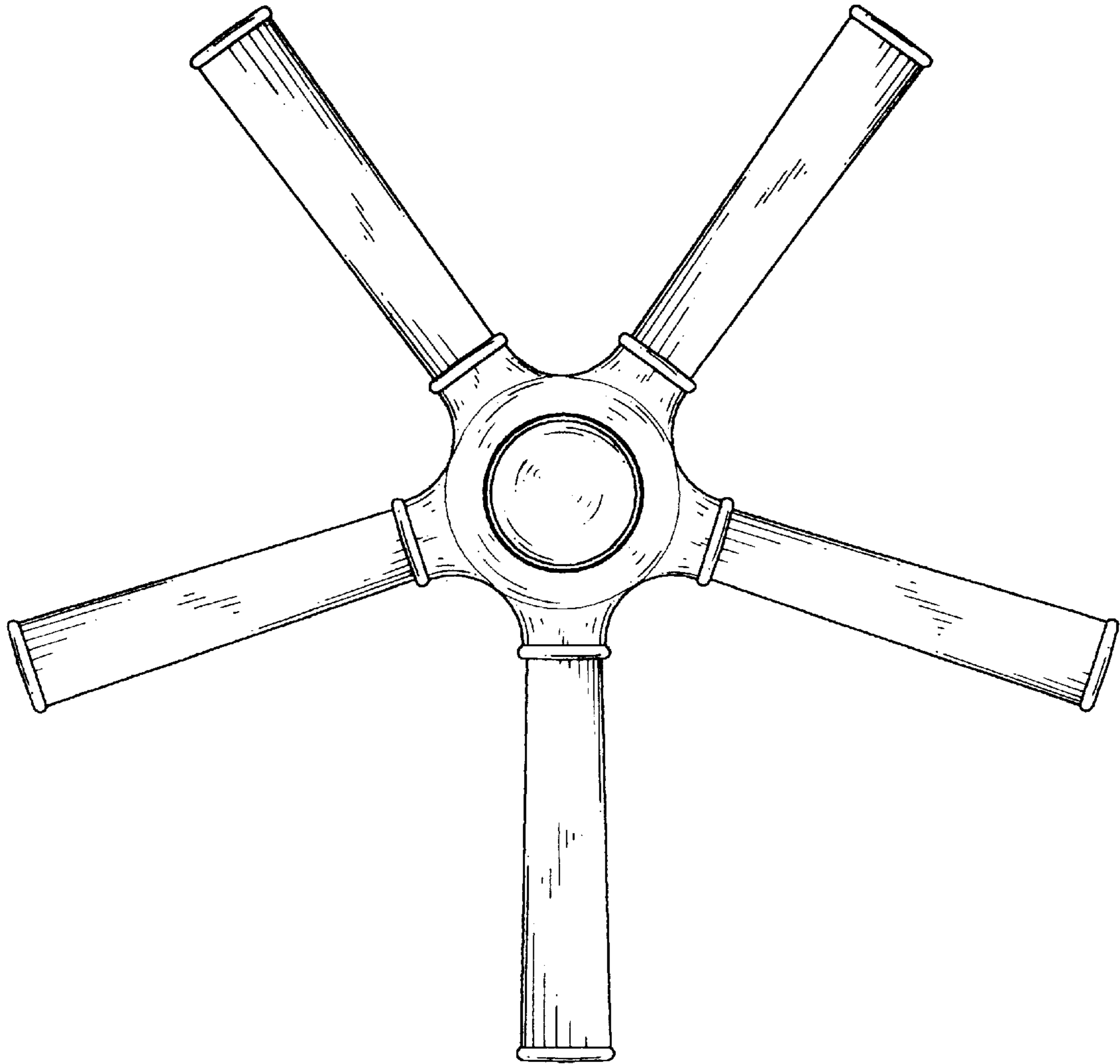


FIG. 7