



US00D428983S

United States Patent [19]

[11] **Patent Number: Des. 428,983**

Lee

[45] **Date of Patent: ** Aug. 1, 2000**

[54] **COMBINED CEILING FAN AND LIGHT FIXTURE**

D. 393,902 4/1998 Pickett D23/377

[76] Inventor: **Ching-Tan Lee**, No.52, Lane 480,Sec 2,Fenghsi Rd., Taichung Hsien, Taiwan

Primary Examiner—Lisa Lichtenstein
Attorney, Agent, or Firm—Rosenberg, Klein & Lee

[**] Term: **14 Years**

[57] **CLAIM**

The ornamental design for a combined ceiling fan and light fixture, as shown and described.

[21] Appl. No.: **29/113,572**

DESCRIPTION

[22] Filed: **Nov. 9, 1999**

[51] **LOC (7) Cl.** **23-04**

FIG. 1 is a front-left-top perspective view of a combined ceiling fan and light fixture, showing my new design; FIG. 2 is a front elevational view thereof; the rear elevational view thereof being a mirror image; FIG. 3 is a left side elevational view thereof; the opposite being a mirror image ; FIG. 4 is a top plan view thereof, on a reduced scale; and, FIG. 5 is a bottom plan view thereof, on a reduced scale.

[52] **U.S. Cl.** **D23/377; D26/59**

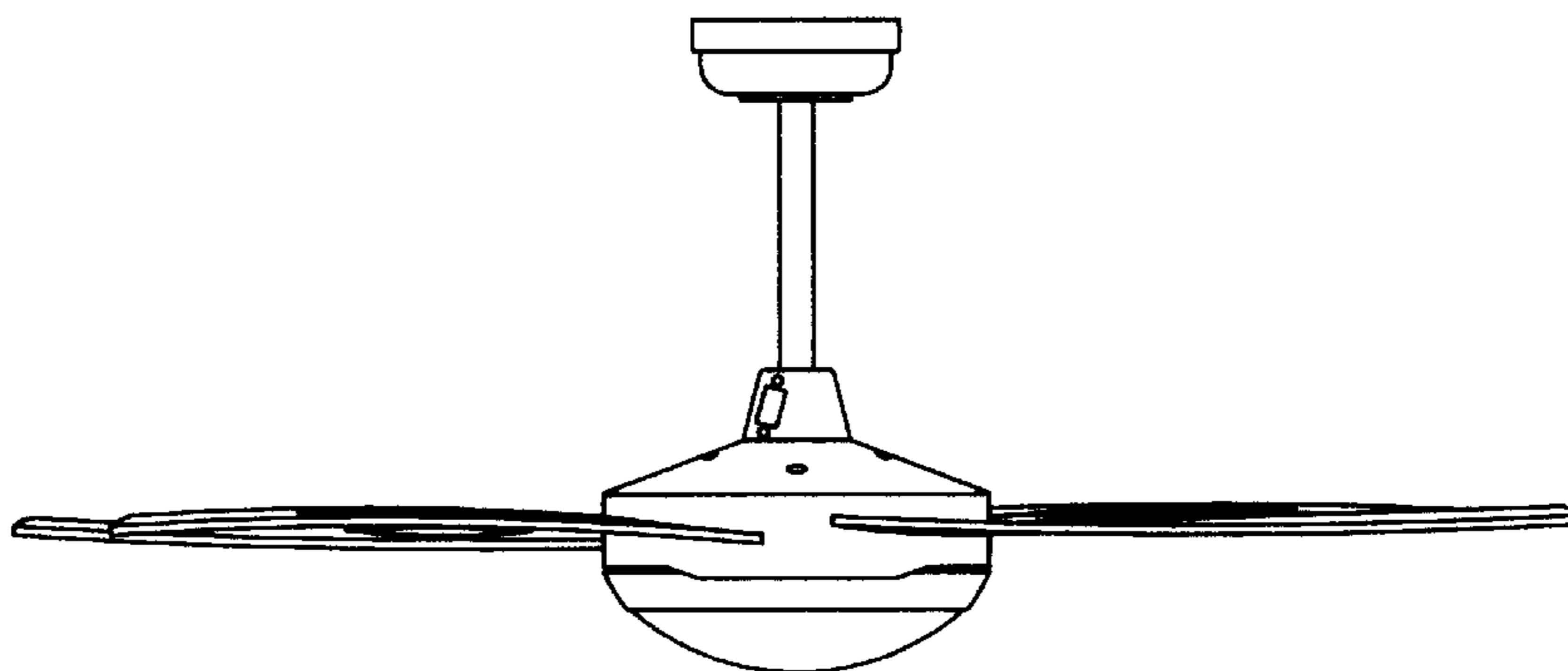
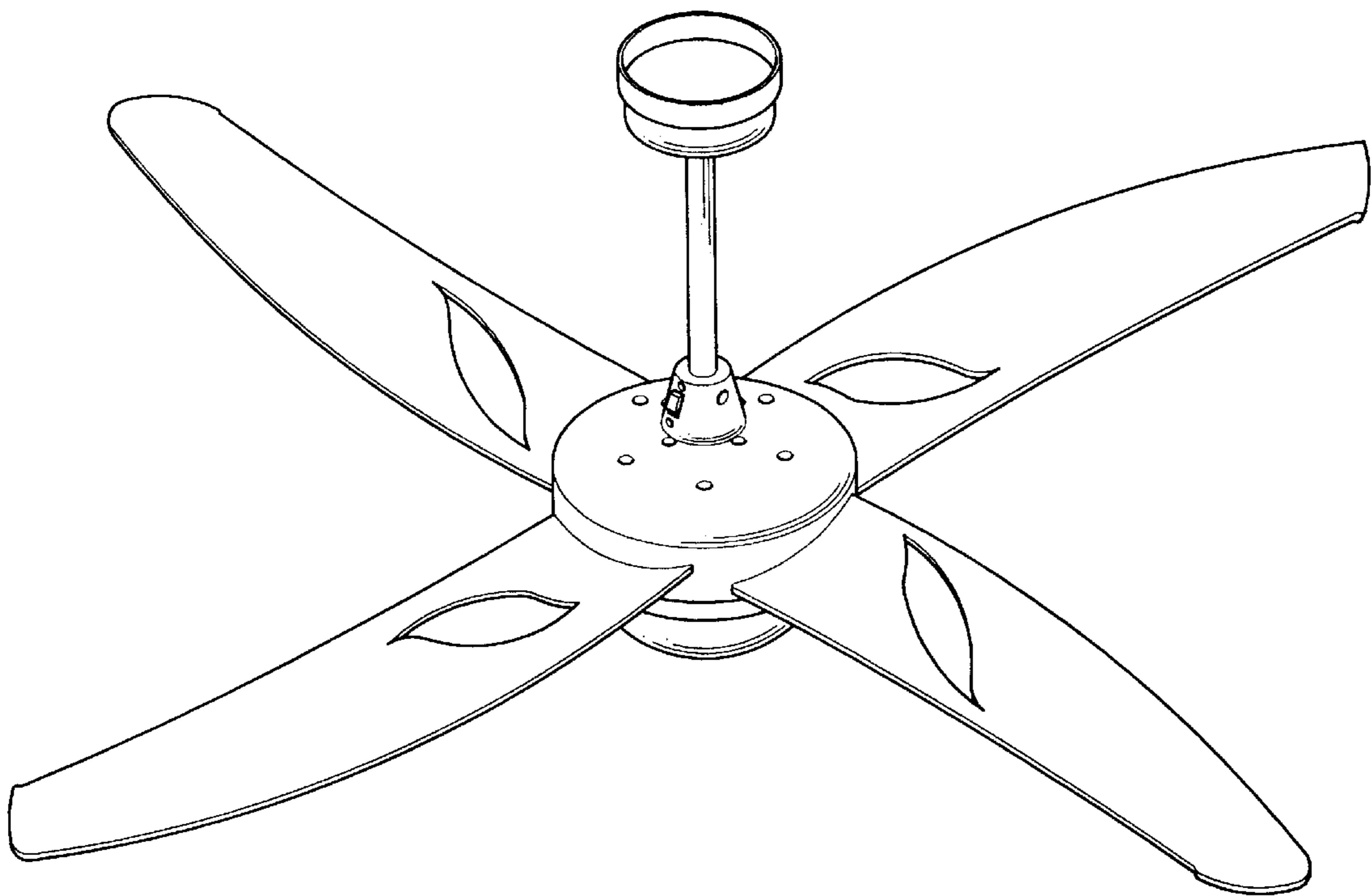
[58] **Field of Search** D23/377, 379, D23/385, 411, 413; 416/5; D26/59

[56] **References Cited**

U.S. PATENT DOCUMENTS

D. 357,978 5/1995 Young D23/377

1 Claim, 5 Drawing Sheets



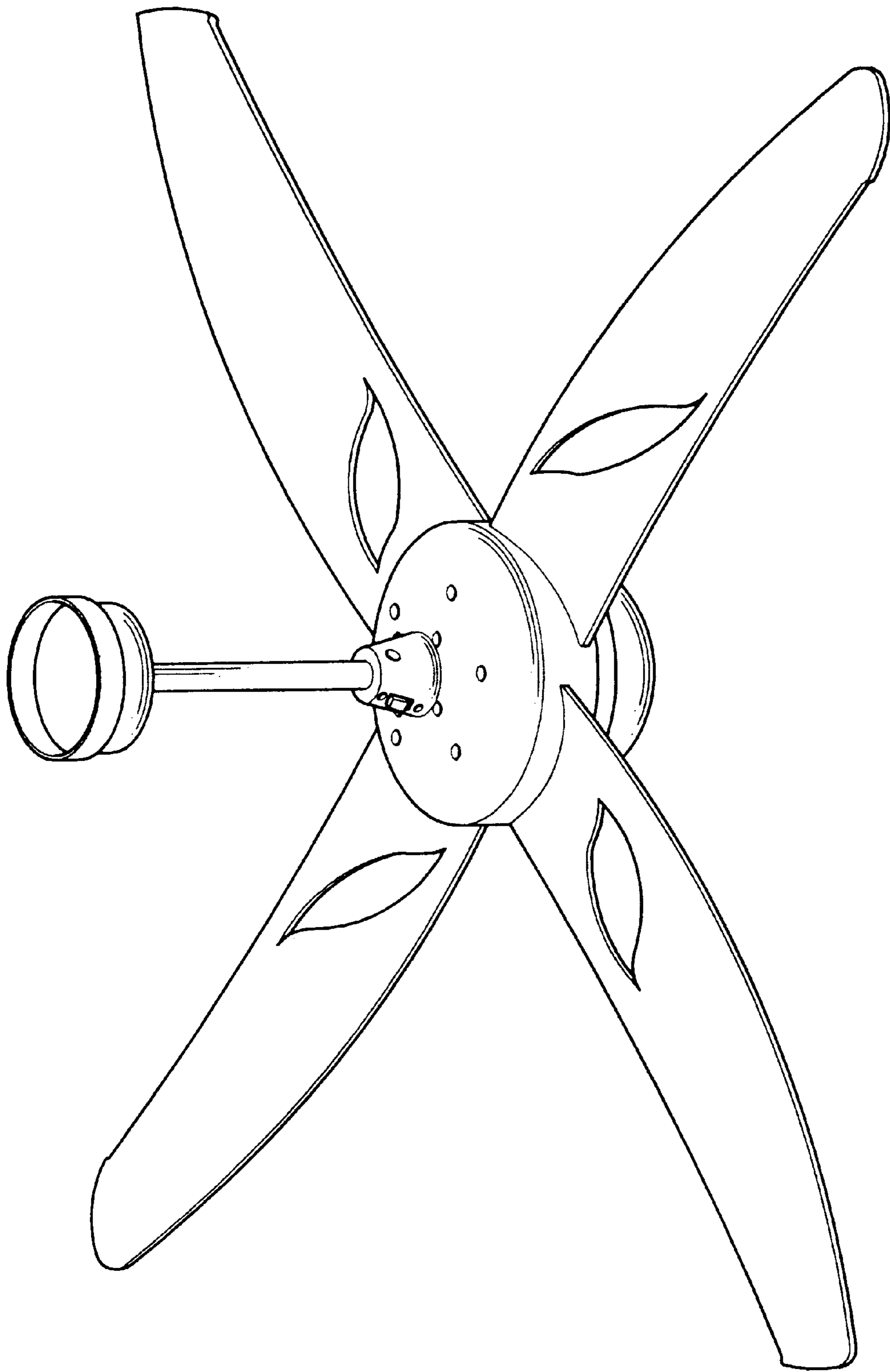


FIG.1

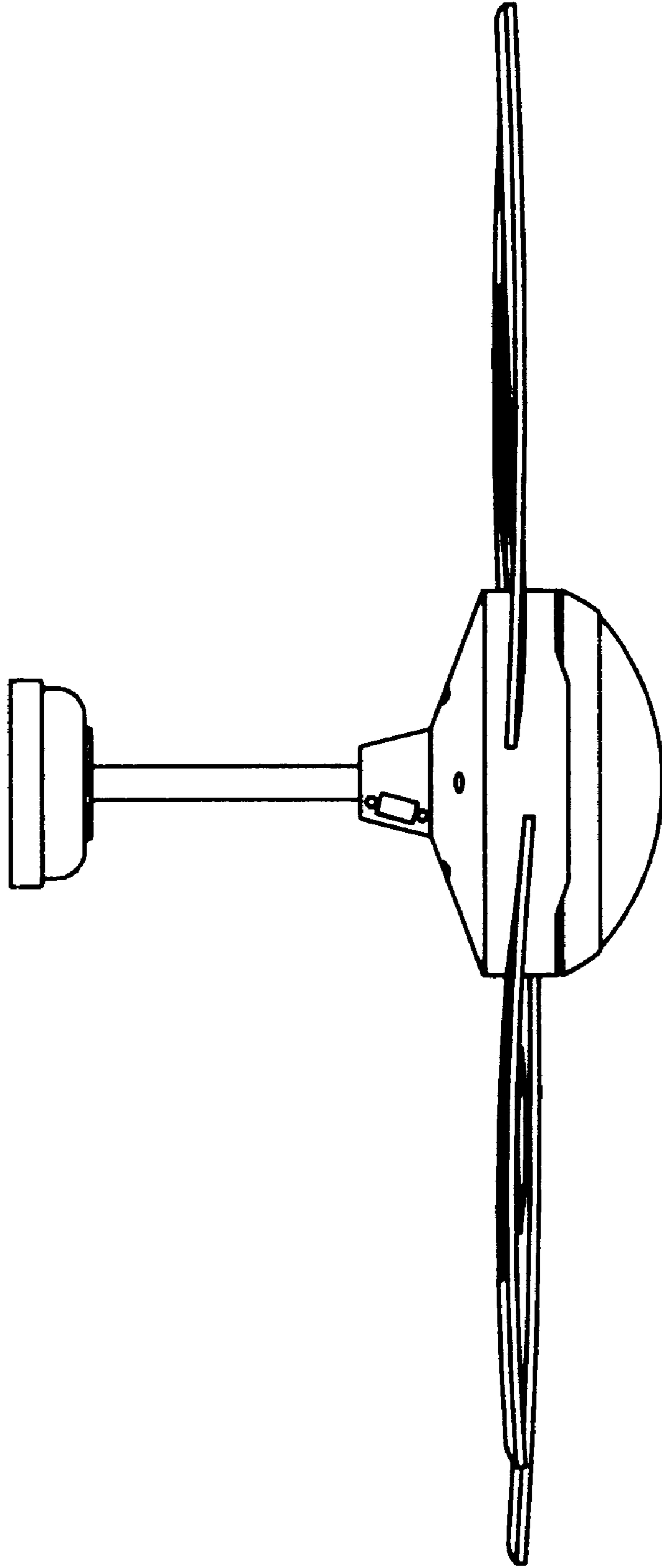


FIG.2

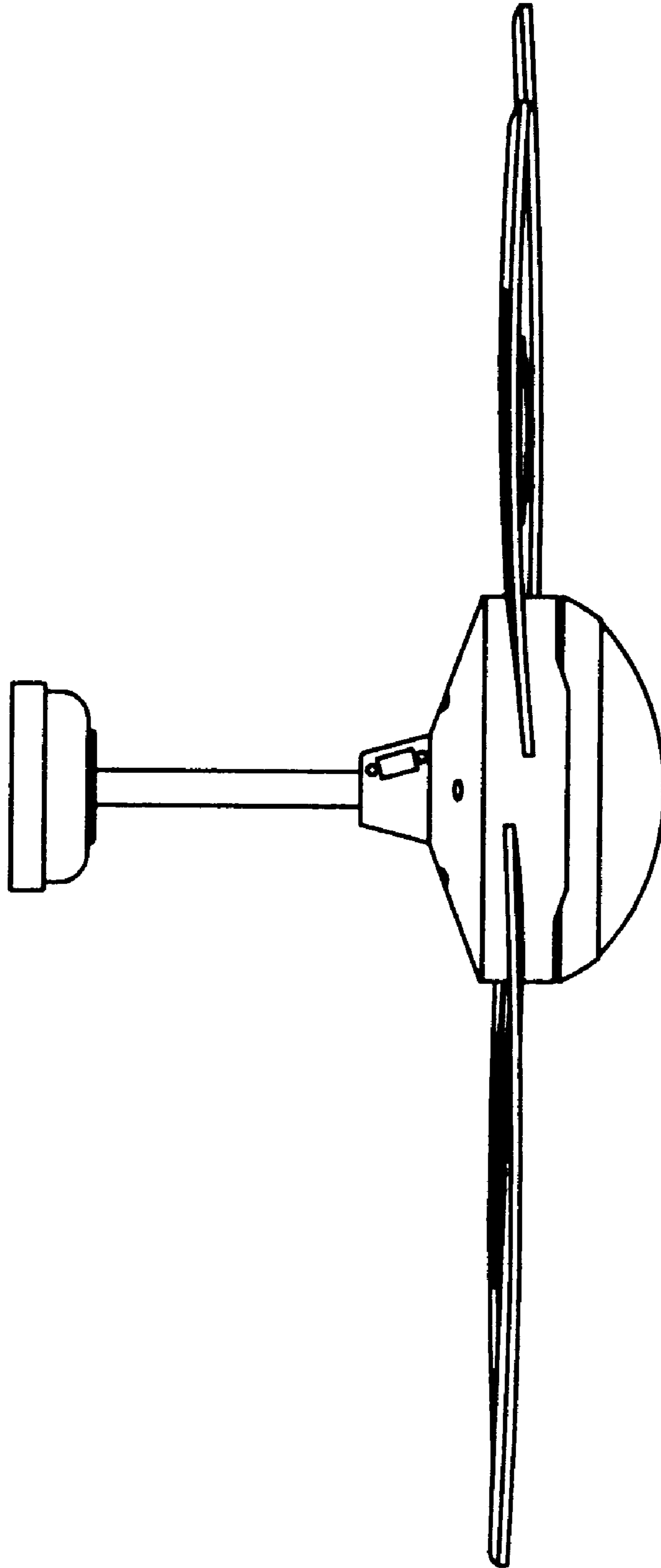


FIG. 3

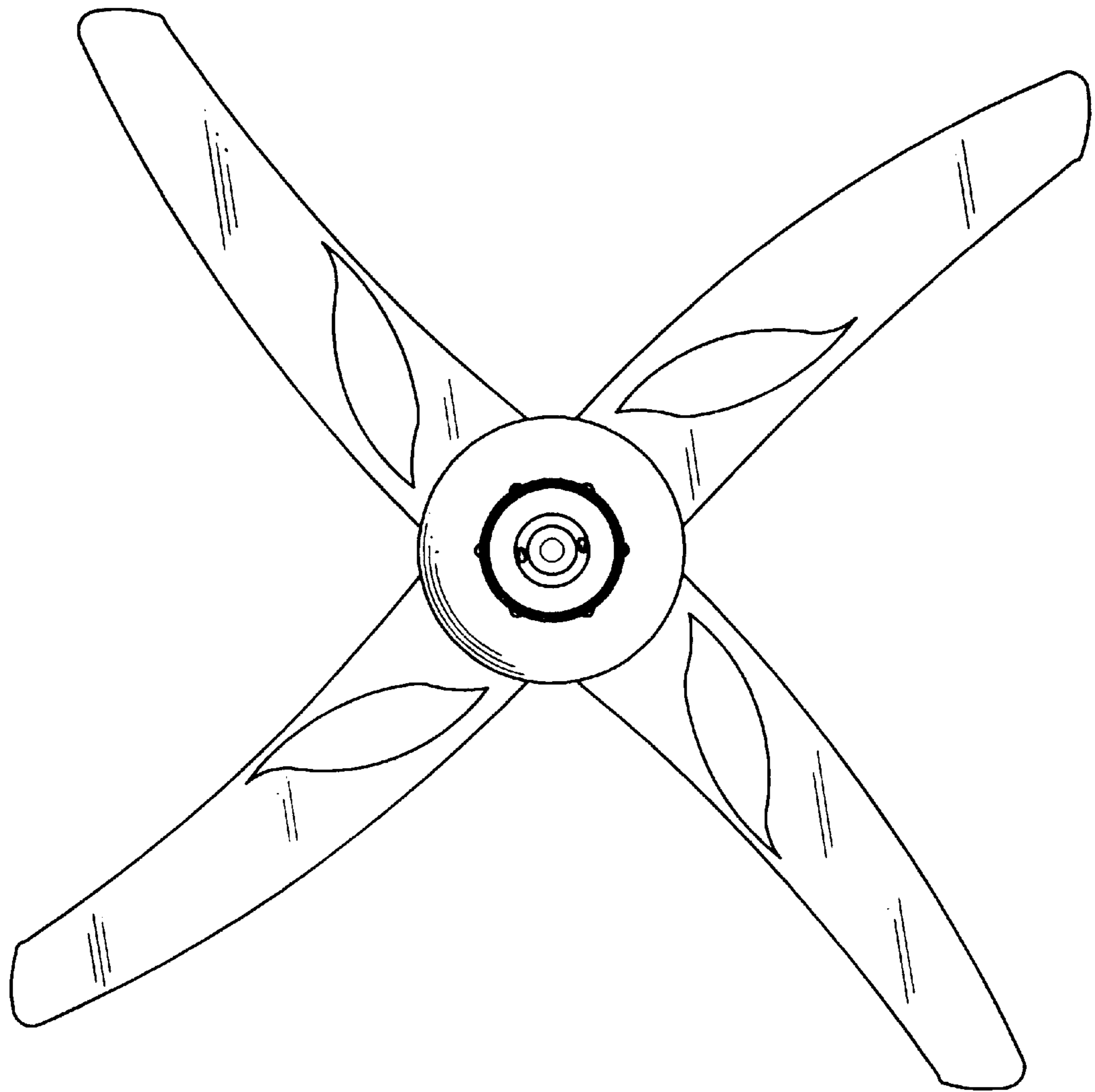


FIG.4

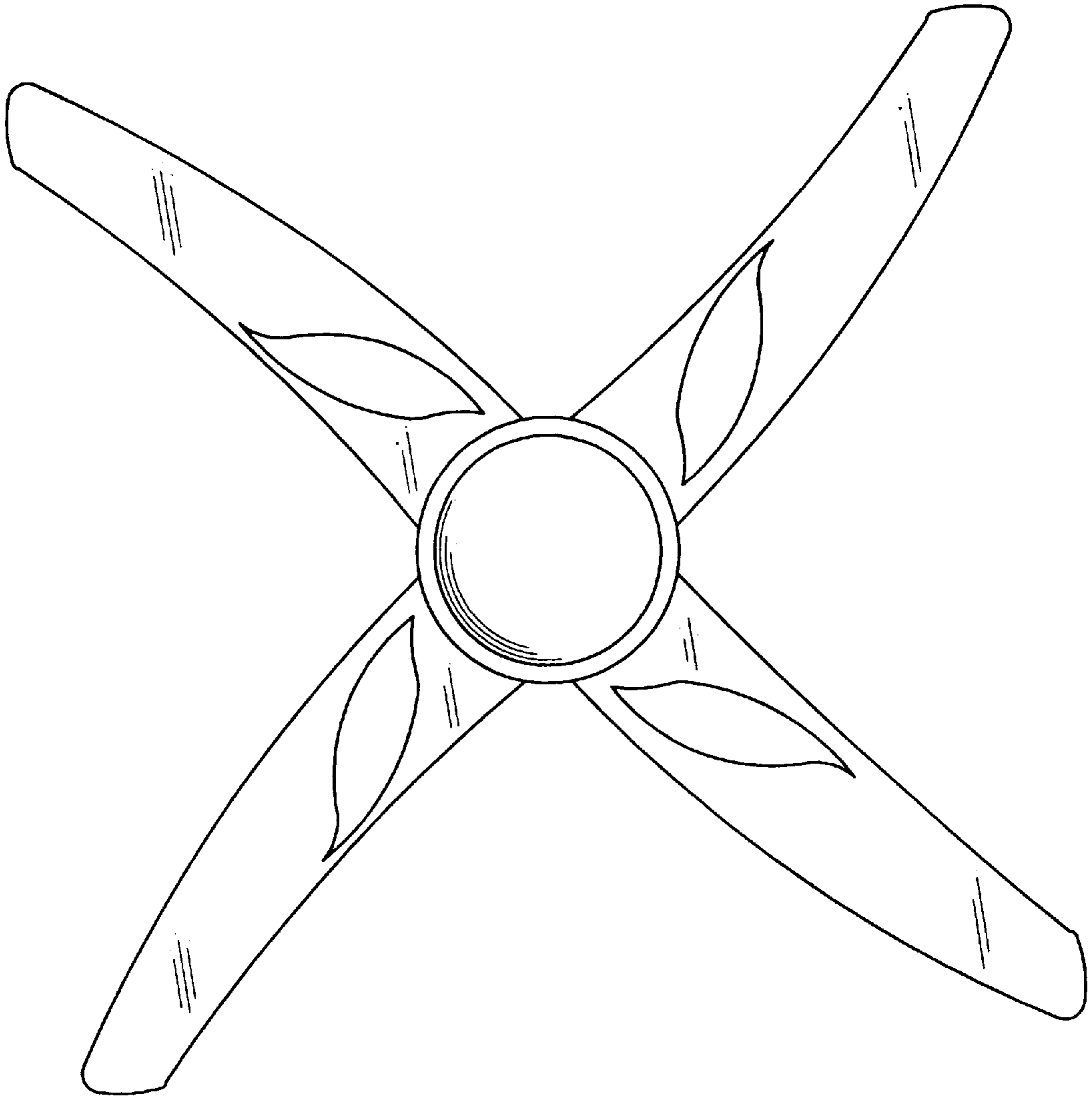


FIG.5