



US00D428979S

# United States Patent [19]

Cox et al.

[11] Patent Number: **Des. 428,979**

[45] Date of Patent: **\*\* Aug. 1, 2000**

## [54] HUMIDIFIER

[75] Inventors: **Paul Cox**, Haverhill; **Thomas S. Chan**, Brighton; **Kenneth David Harris, Jr.**, Boston; **Clinton E. Cockrill**, Roxbury, all of Mass.

[73] Assignee: **Honeywell Inc.**, Minneapolis, Minn.

[\*\*] Term: **14 Years**

[21] Appl. No.: **29/102,180**

[22] Filed: **Mar. 18, 1999**

[51] **LOC (7) Cl.** ..... **23-04**

[52] **U.S. Cl.** ..... **D23/356; D23/358**

[58] **Field of Search** ..... **D23/356-363; 422/120, 123; 392/403, 406, 394; 261/DIG. 65, 91, 92, DIG. 17, DIG. 30**

## [56] References Cited

### U.S. PATENT DOCUMENTS

D. 287,274	12/1986	Crowley et al. ....	D23/146
D. 330,074	10/1992	Wang et al. ....	D23/356
D. 337,634	7/1993	Copland et al. ....	D23/356
D. 349,566	8/1994	O'Grady ....	D23/364
D. 357,310	4/1995	Chiu et al. ....	D23/356
D. 358,461	5/1995	Barker et al. ....	D23/356
D. 375,349	11/1996	Gonzales ....	D23/356
D. 380,534	7/1997	Chiu et al. ....	D23/356
D. 382,635	8/1997	Jané et al. ....	D23/356
D. 384,140	9/1997	Jané et al. ....	D23/356
D. 386,575	11/1997	Chiu et al. ....	D23/356
D. 388,162	12/1997	Chiu et al. ....	D23/356
D. 395,491	6/1998	Jané et al. ....	D23/356
D. 398,043	9/1998	Ritsher et al. ....	D23/356
D. 402,021	12/1998	Allen et al. ....	D23/356
D. 408,511	4/1999	Allen et al. ....	D23/356
D. 413,661	9/1999	Litvin et al. ....	D23/356

## OTHER PUBLICATIONS

1994-1995 Owner's Guide, Holmes Products Corp.'s HM-3500 Console Humidifier.

USSN 29/094,587, U.S. patent appln. filed Oct. 6, 1998 (Cox et al.).

USSN 29/094,589, U.S. patent appln. filed Oct. 6, 1998 (Cox et al.).

1998 Owner's Guide, Holmes Products Corp.'s HM-1745 Cool Mist Humidifier.

1998 Owner's Manual, Sears/Kenmore Model 437.14112.

1996 Instruction Manual, Sunbeam Model 696 Ultrasonic Humidifier.

1998 White-Westinghouse Warm Mist Humidifier (Model No. WWH 9230).

*Primary Examiner*—Lisa Lichtenstein

*Attorney, Agent, or Firm*—Robert B. Leonard

## [57] CLAIM

The ornamental design for a humidifier, as shown and described.

## DESCRIPTION

FIG. 1 is a front perspective view of a humidifier showing our design.

FIG. 2 is a front elevational view of the humidifier shown in FIG. 1.

FIG. 3 is a rear elevational view of the humidifier shown in FIG. 1.

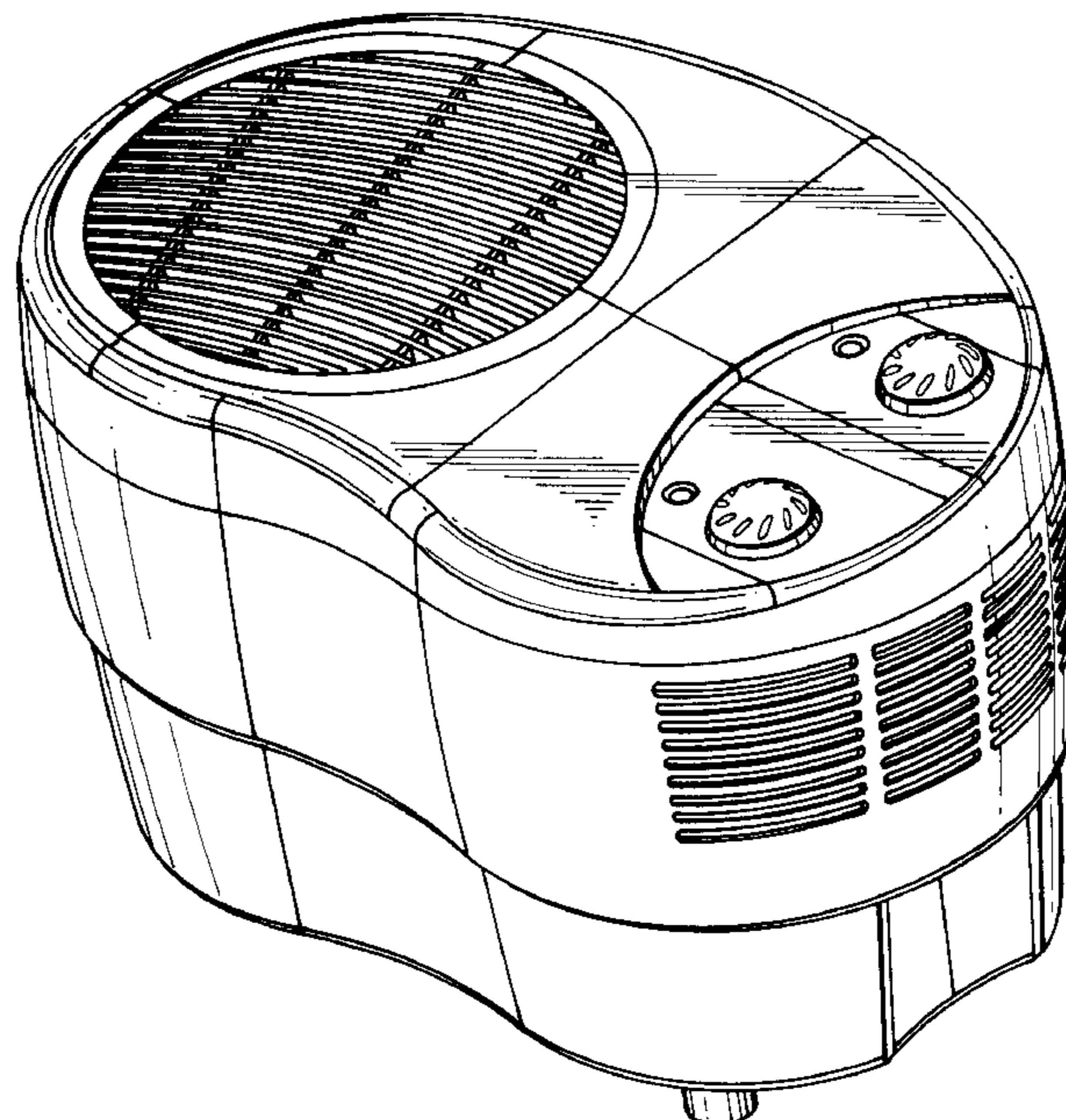
FIG. 4 is a right side elevational view of the humidifier shown in FIG. 1.

FIG. 5 is a left side elevational view of the humidifier shown in FIG. 1; and,

FIG. 6 is a top plan view thereof on a reduced scale.

The surface(s) or portion(s) of the article not shown in the drawing or described in the specification form(s) no part of the claimed design.

**1 Claim, 6 Drawing Sheets**



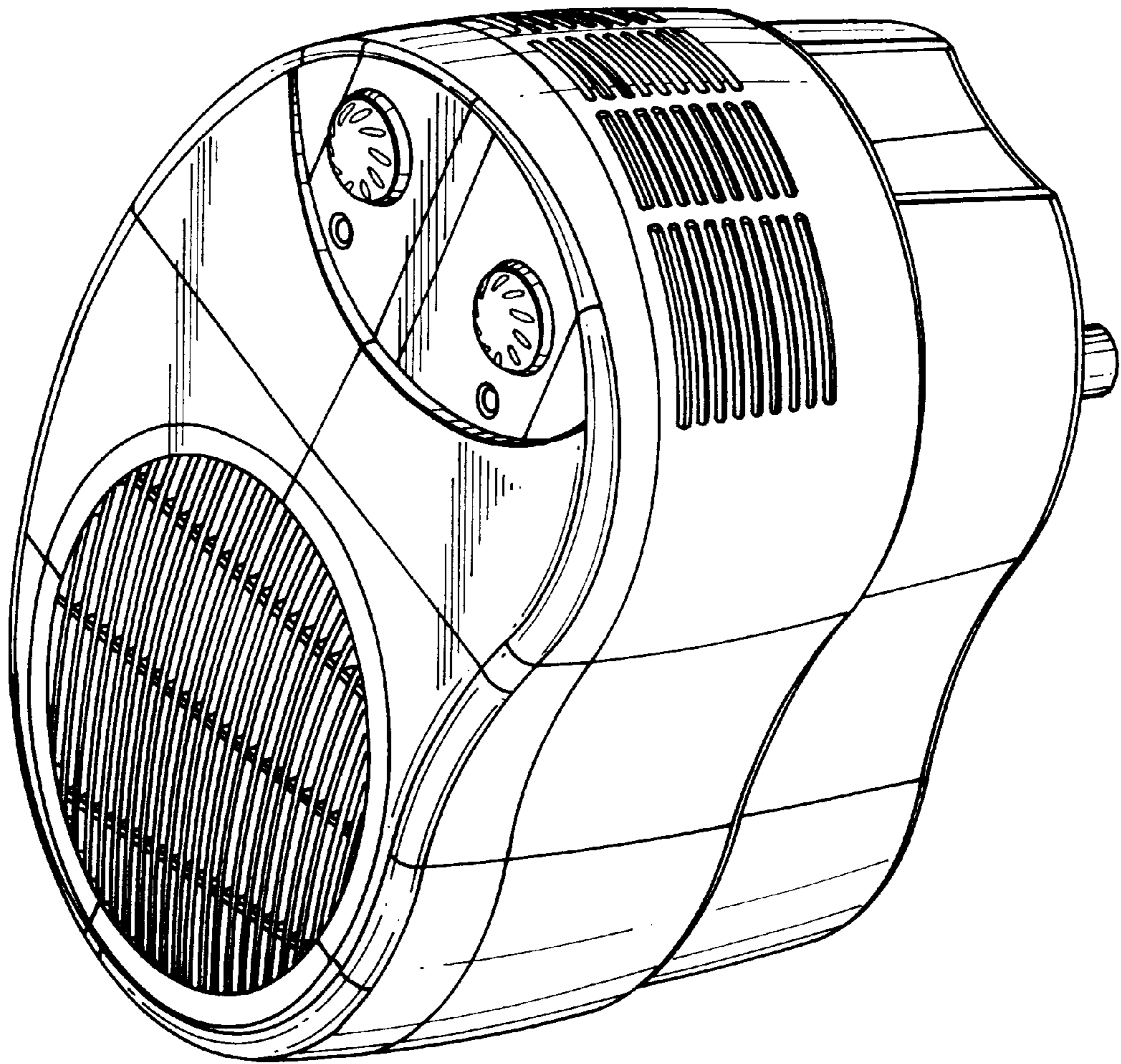


FIG. 1

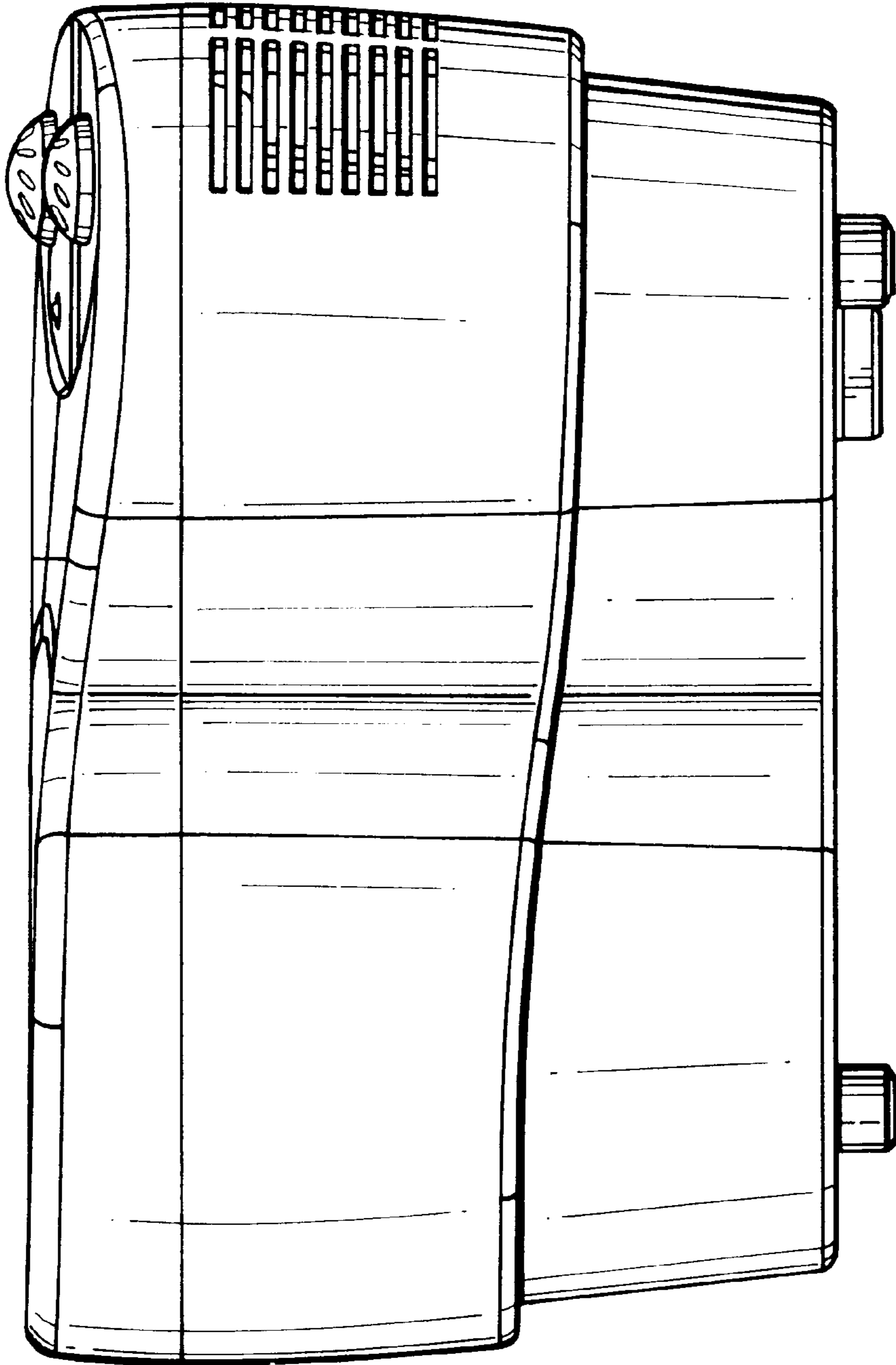


FIG. 2

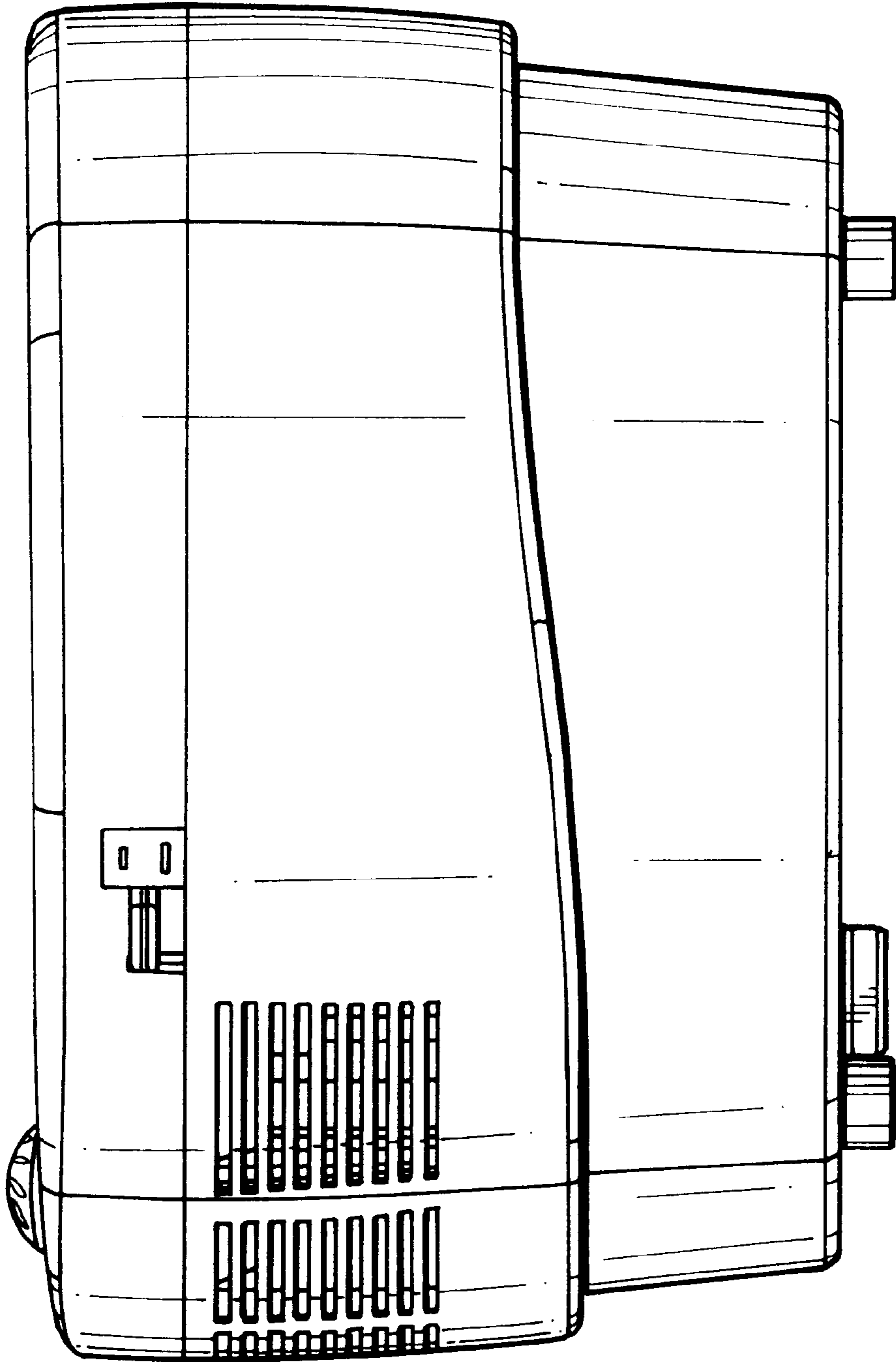


FIG. 3

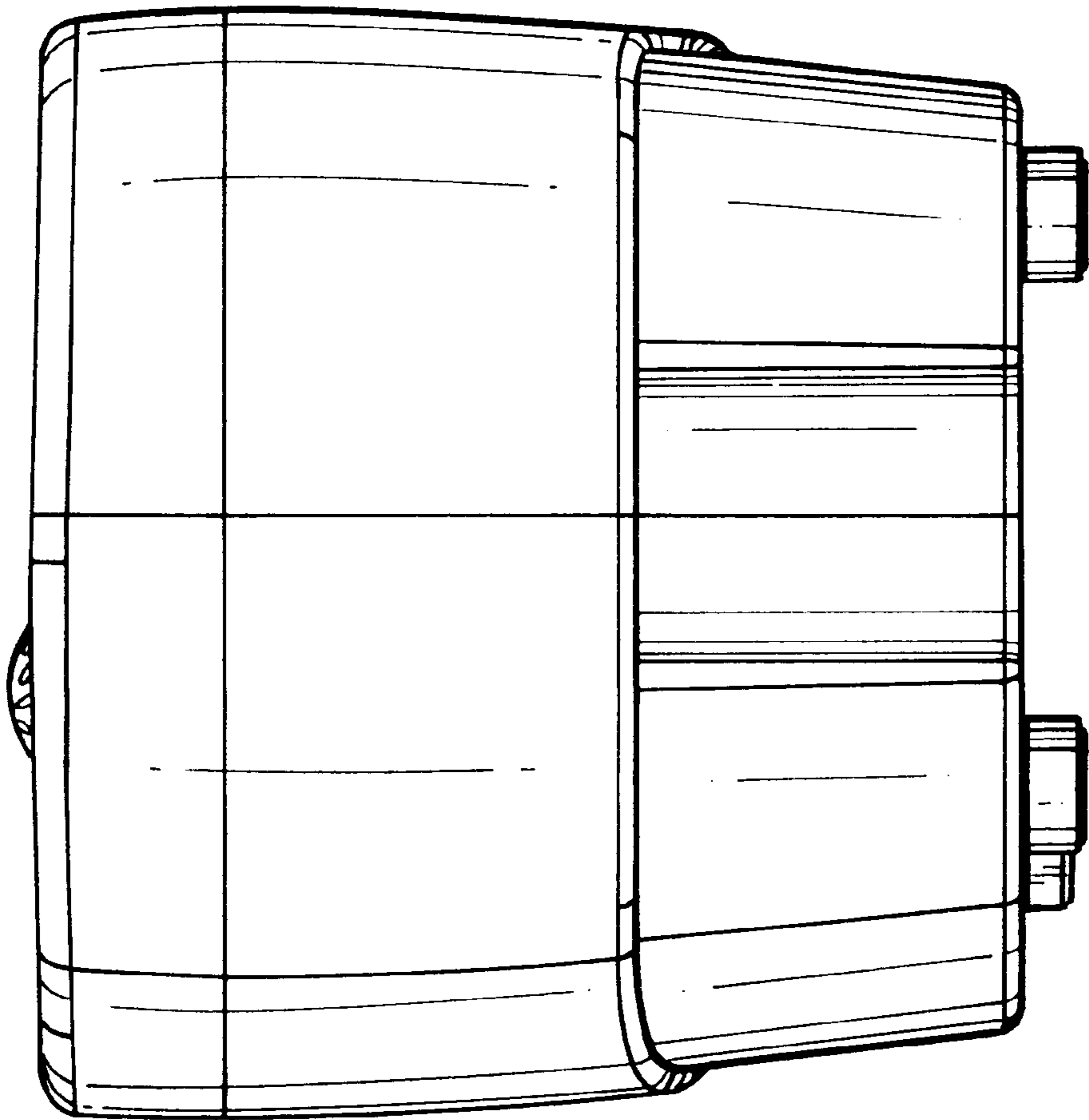


FIG. 4

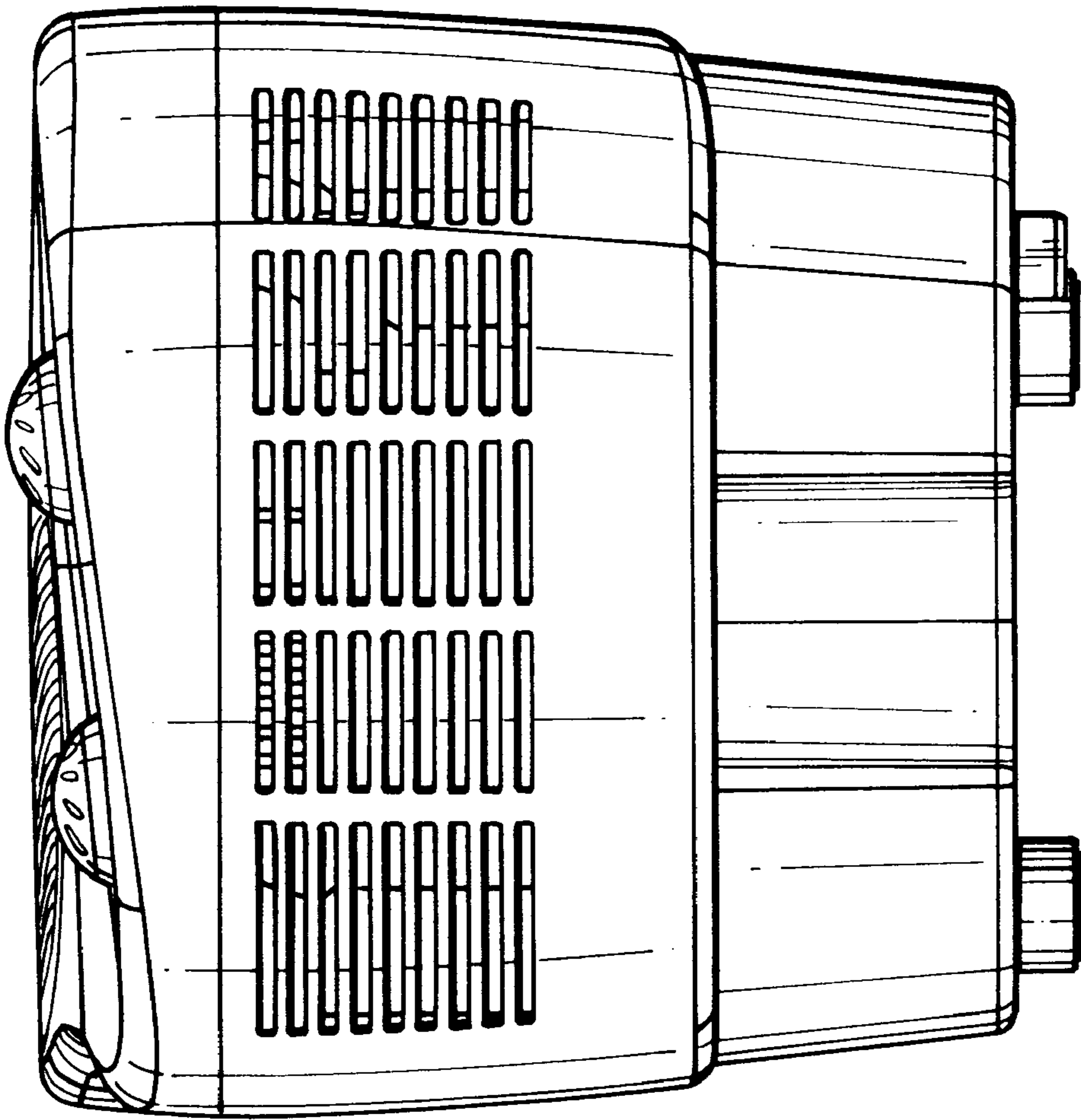


FIG. 5

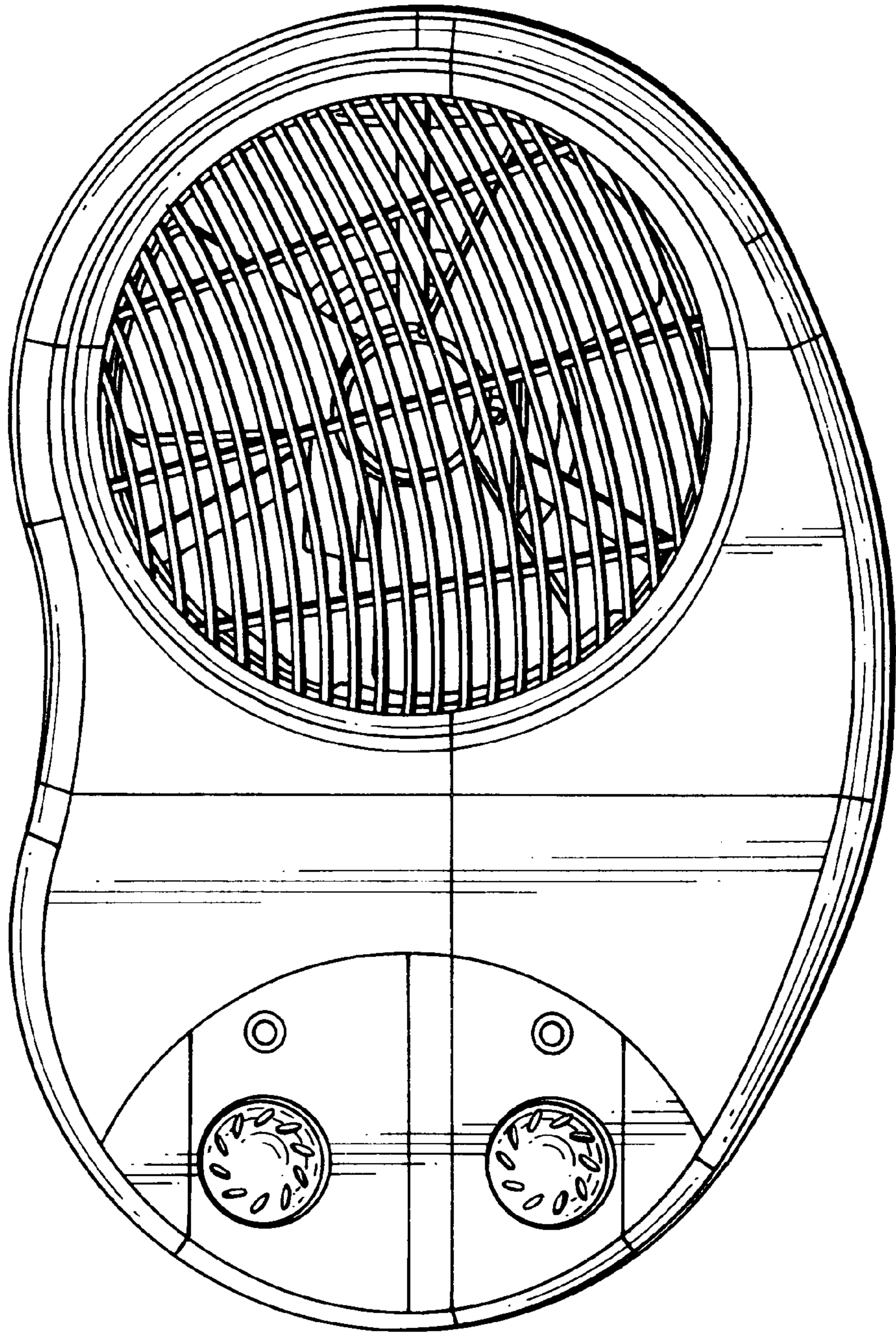


FIG. 6