



US00D428969S

United States Patent [19] Pitsch

[11] **Patent Number: Des. 428,969**

[45] **Date of Patent: ** Aug. 1, 2000**

[54] **ESCUTCHEON**

D. 374,709 10/1996 Doughty et al. D23/241
5,375,272 12/1994 Mikol 4/695

[75] **Inventor: Walter Pitsch, Franklin Park, N.J.**

Primary Examiner—Doris Clark

[73] **Assignee: American Standard Inc., Piscataway, N.J.**

[57] **CLAIM**

[**] **Term: 14 Years**

The ornamental design for a escutcheon, as shown and described.

[21] **Appl. No.: 29/109,924**

DESCRIPTION

[22] **Filed: Aug. 25, 1999**

FIG. 1 is a perspective view of an escutcheon showing my new design;

[51] **LOC (7) Cl. 23-01**

FIG. 2 is a front elevational view thereof;

[52] **U.S. Cl. D23/241**

FIG. 3 is a rear elevational view thereof;

[58] **Field of Search D23/238-243,**

FIG. 4 is a top plan view thereof;

D23/250-257, 303-311, 249; 4/675-678;

FIG. 5 is a bottom plan view thereof;

137/801

FIG. 6 is a right side elevational view thereof; and,

FIG. 7 is a left side elevational view thereof.

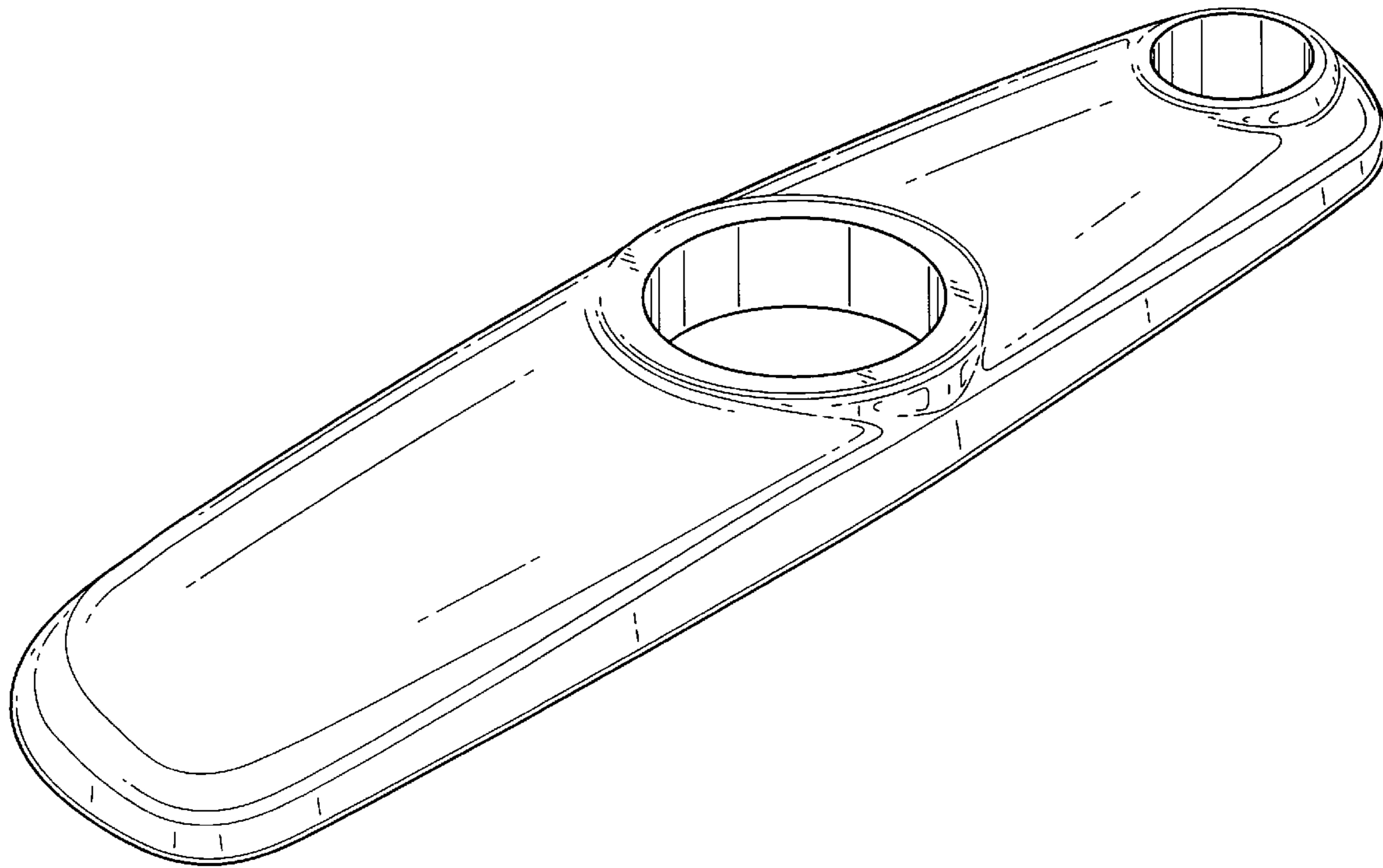
[56] **References Cited**

The broken lines are for illustrative purposes only and form no part of the claimed design.

U.S. PATENT DOCUMENTS

D. 260,677 9/1981 Thevenot D23/249

1 Claim, 6 Drawing Sheets



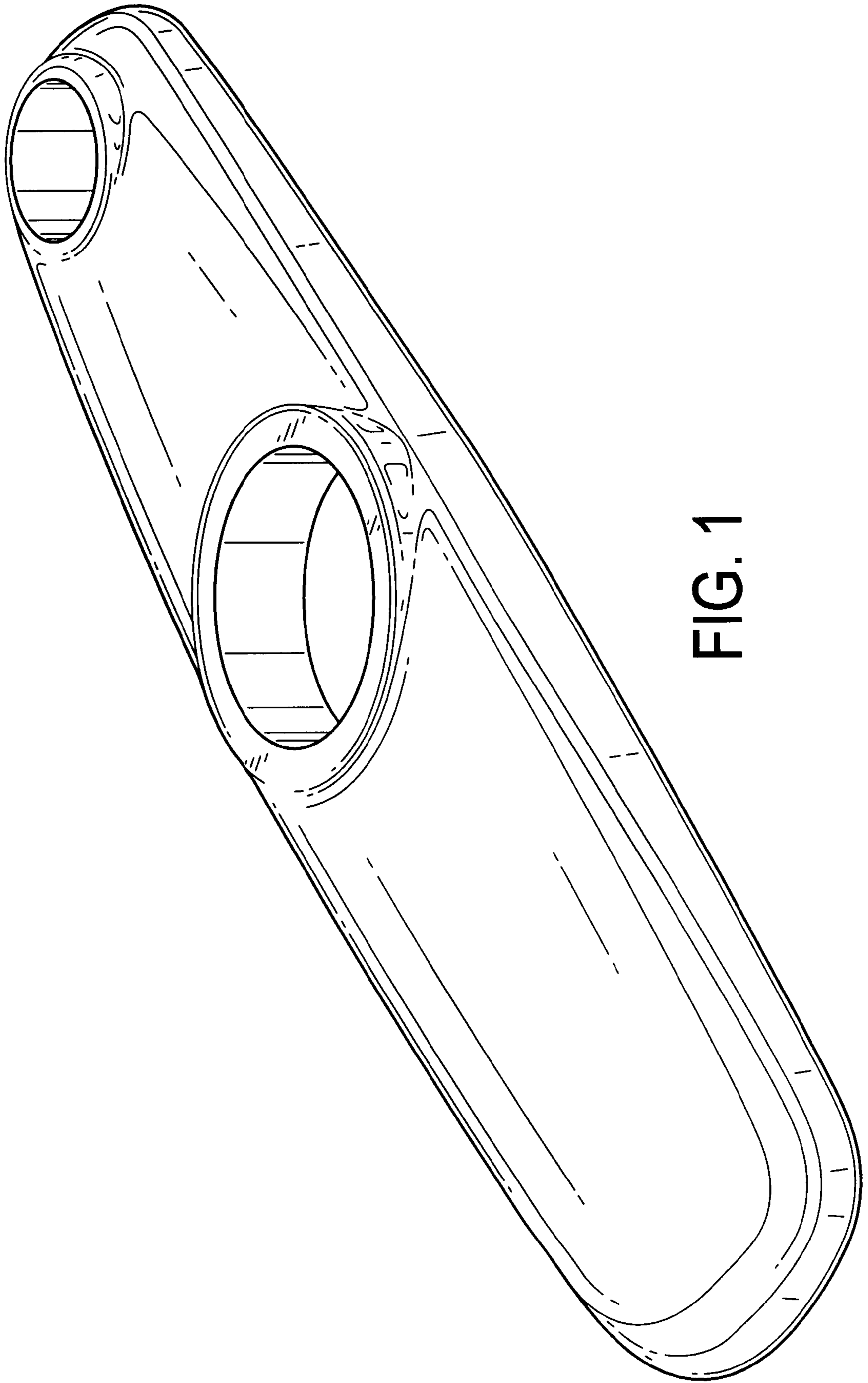


FIG. 1

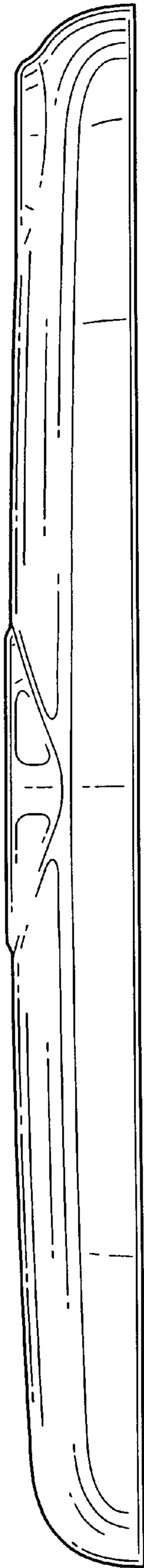


FIG. 2

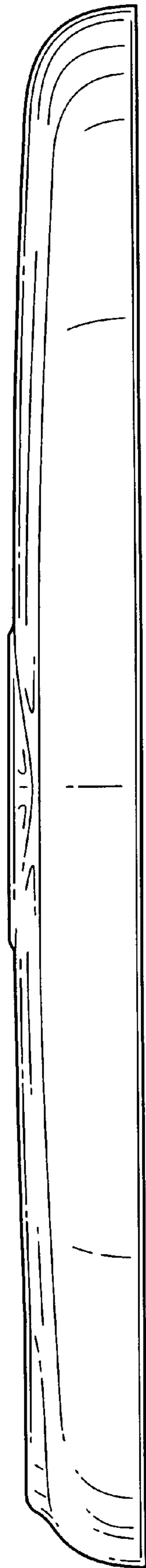


FIG. 3

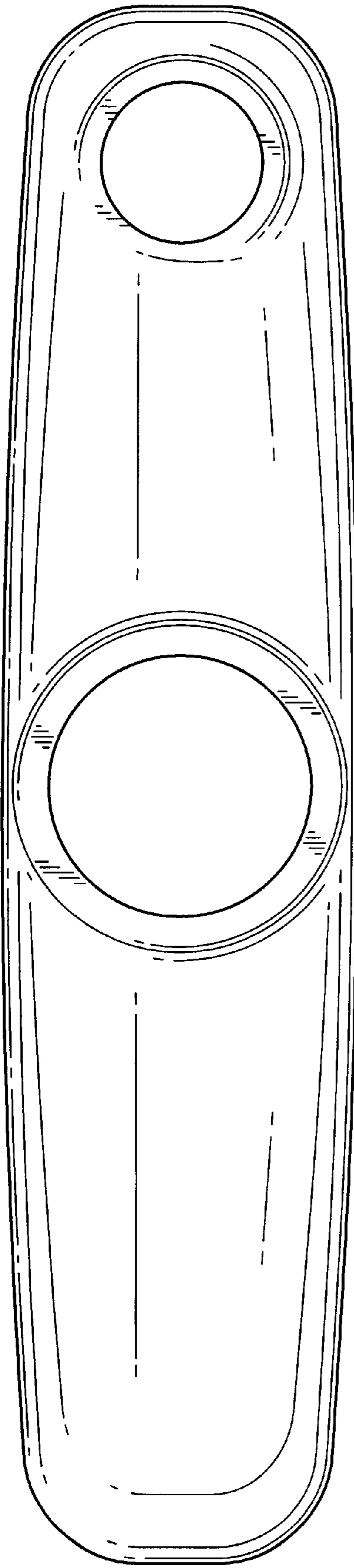


FIG. 4

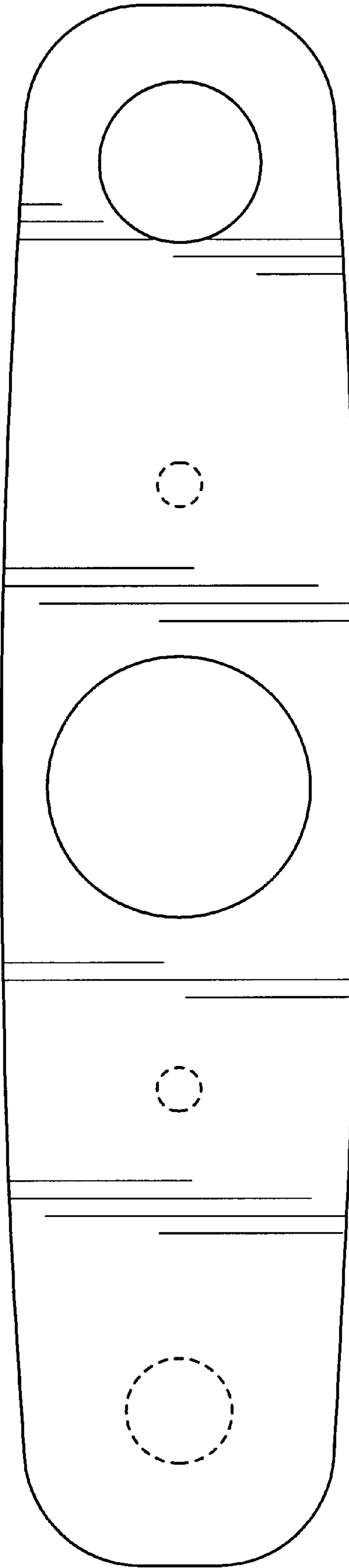


FIG. 5

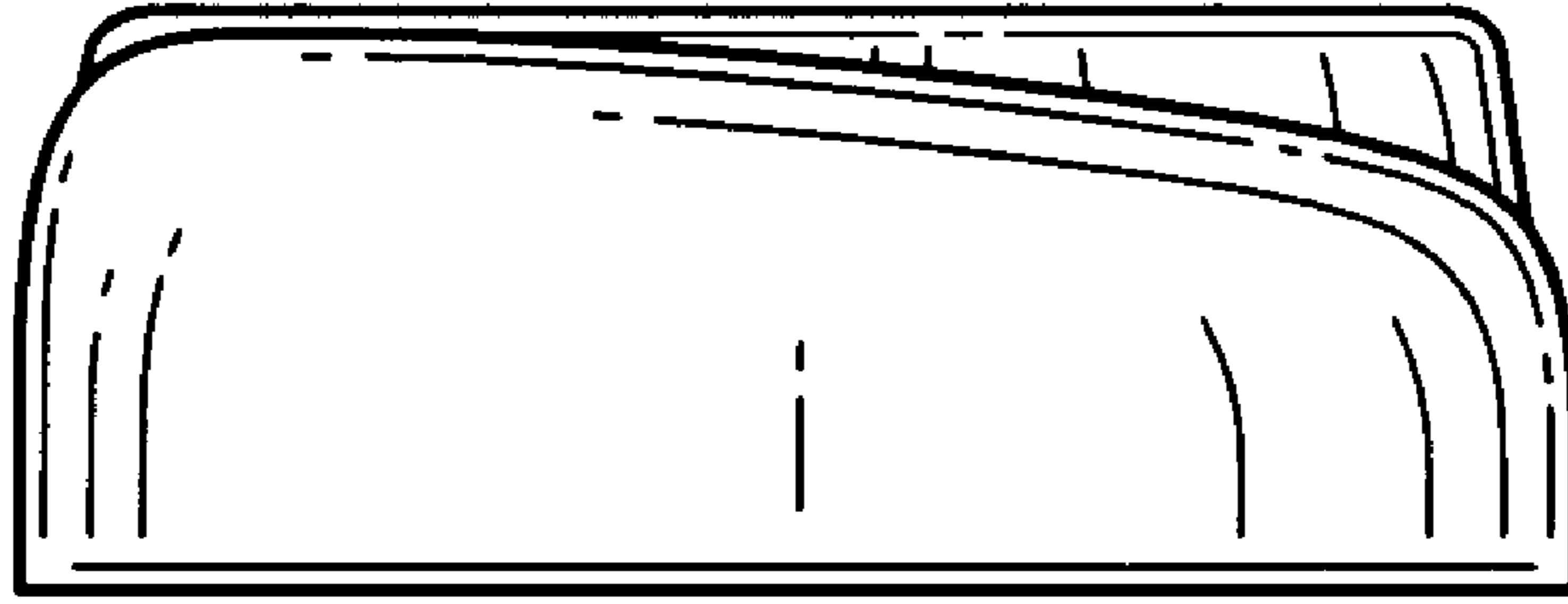


FIG. 6

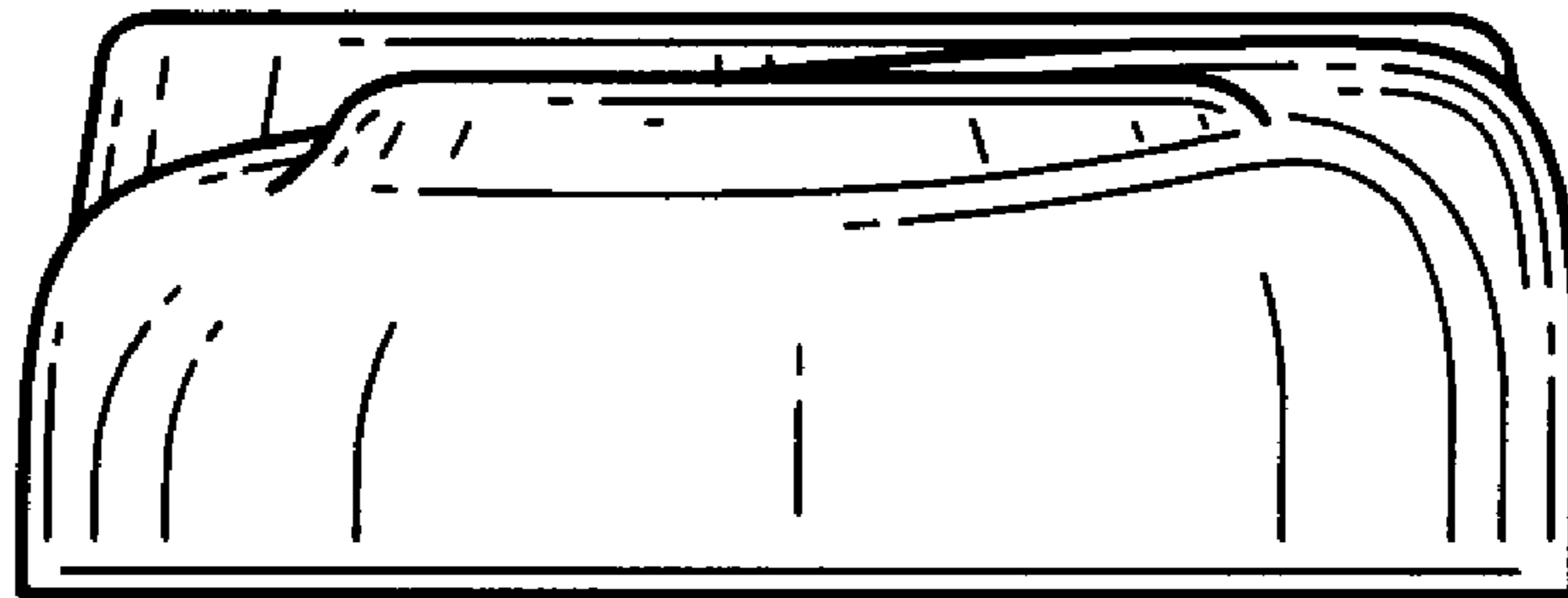


FIG. 7