



US00D428966S

United States Patent [19] Pitsch

[11] **Patent Number: Des. 428,966**

[45] **Date of Patent: ** *Aug. 1, 2000**

[54] **SINGLE HANDLE FAUCET**

[75] Inventor: **Walter Pitsch**, Franklin Park, N.J.

[73] Assignee: **American Standard Inc.**, Piscataway, N.J.

[*] Notice: This patent is subject to a terminal disclaimer.

[**] Term: **14 Years**

[21] Appl. No.: **29/108,813**

[22] Filed: **Aug. 4, 1999**

[51] **LOC (7) Cl. 23-01**

[52] **U.S. Cl. D23/238**

[58] **Field of Search D23/238-243,
D23/250-257, 248, 245; D8/300-310; 4/675-678;
137/801, 625.17, 636.2**

[56] **References Cited**

U.S. PATENT DOCUMENTS

D. 213,874	4/1969	Landell et al.	D23/238
D. 219,779	1/1971	Tiller	D23/238
D. 358,869	5/1995	Mark et al.	D23/238
D. 360,931	8/1995	Mark et al.	D23/238
D. 367,697	3/1996	Haug et al.	D23/238
D. 387,131	12/1997	Short et al.	D23/238
D. 387,132	12/1997	Donahue et al.	D23/238
D. 387,416	12/1997	Chin	D23/241

D. 400,648	11/1998	Fabian et al.	D23/243
D. 409,285	5/1999	Donahue et al.	D23/241
D. 414,547	9/1999	Pitsch	D23/243
3,202,181	8/1965	West	137/625.17

OTHER PUBLICATIONS

American Standard catalog, p. J-3 CERAMIX Single Control Kitchen Faucet, Dec. 1992.

Kohler Faucets Suggested List Price Book, p. 152, CORALAIS Single Control item K-15171, Dec. 1992.

Primary Examiner—Louis S. Zarfes

Assistant Examiner—G. Andoll

[57] **CLAIM**

The ornamental design for a single handle faucet, as shown and described.

DESCRIPTION

FIG. 1 is a perspective view of a single handle faucet showing my new design;

FIG. 2 is a front elevational view thereof;

FIG. 3 is a rear elevational view thereof;

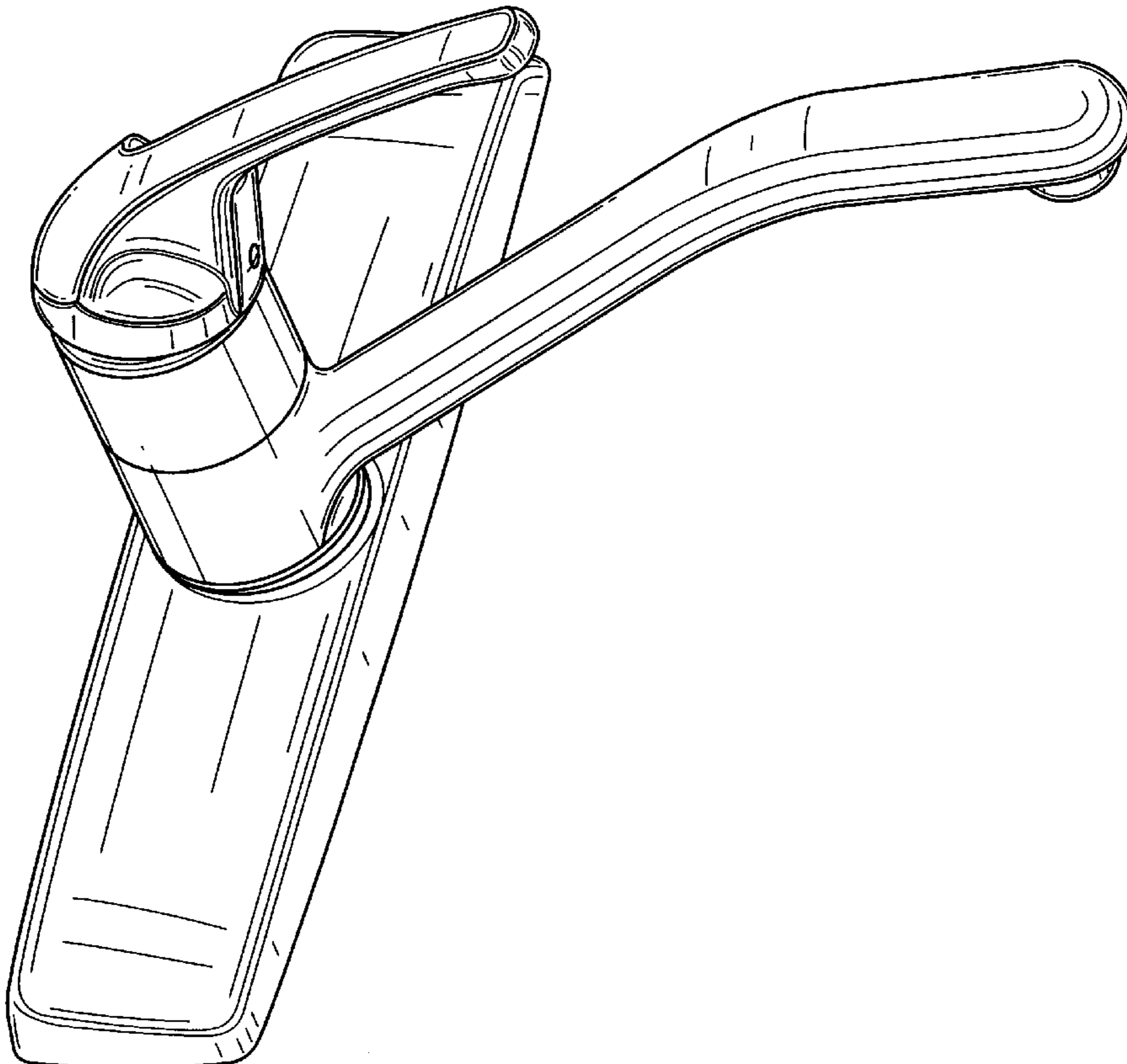
FIG. 4 is a top plan view thereof;

FIG. 5 is a bottom plan view thereof; and,

FIG. 6 is a right side elevational view thereof, the left side view being a mirror image of the right side.

The broken lines in the Figures are for illustrative purposes only and form no part of the claimed design.

1 Claim, 6 Drawing Sheets



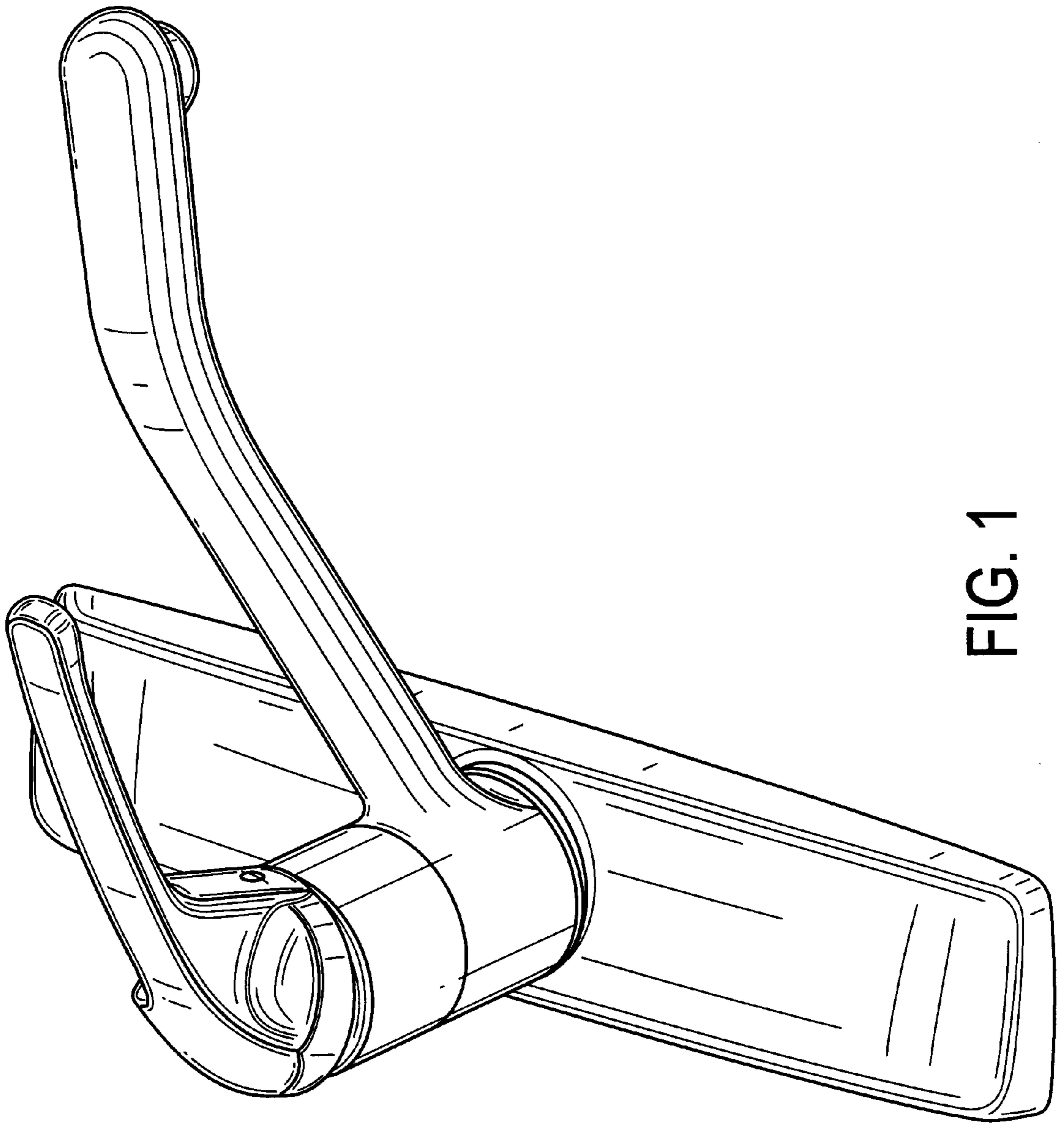


FIG. 1

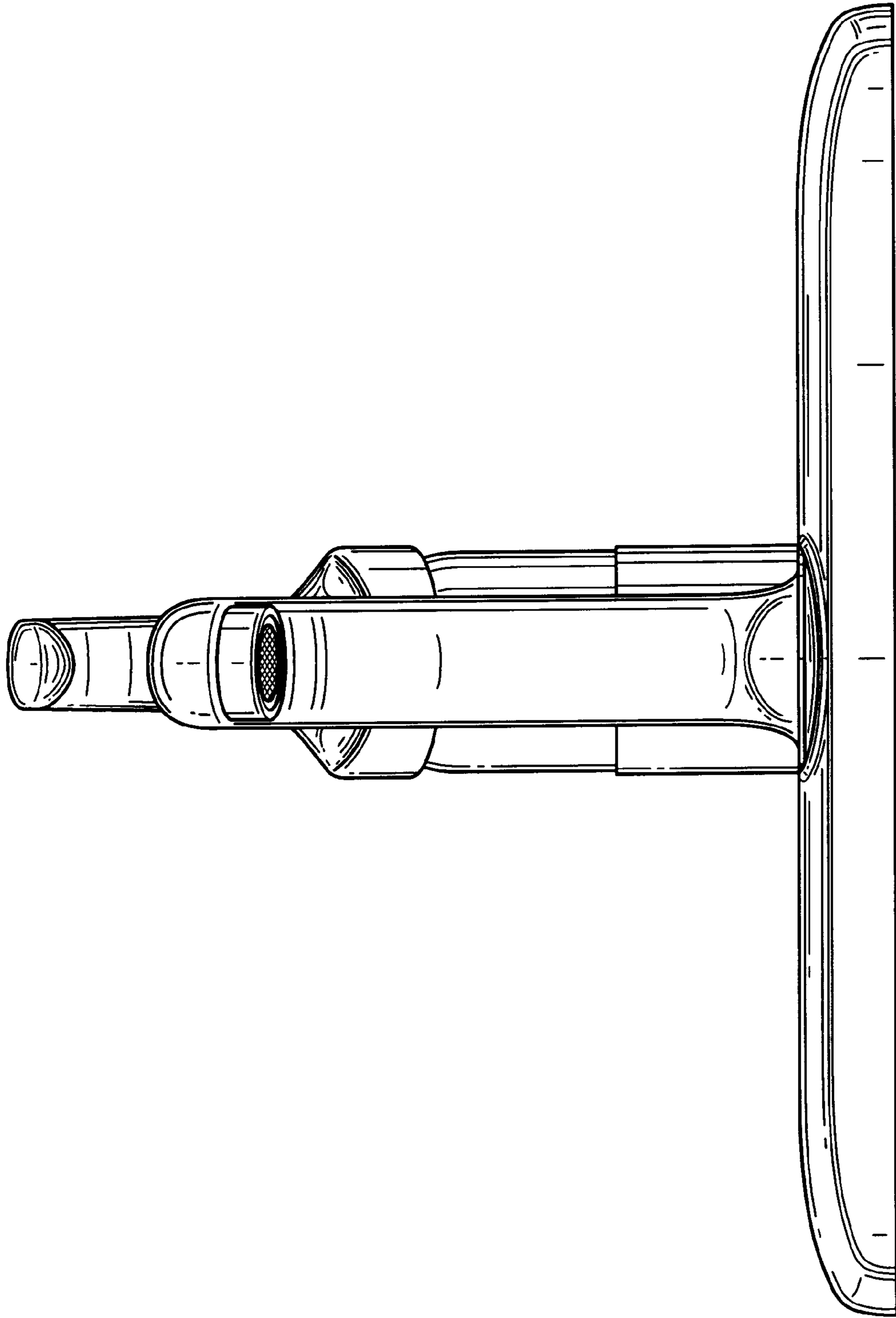


FIG. 2

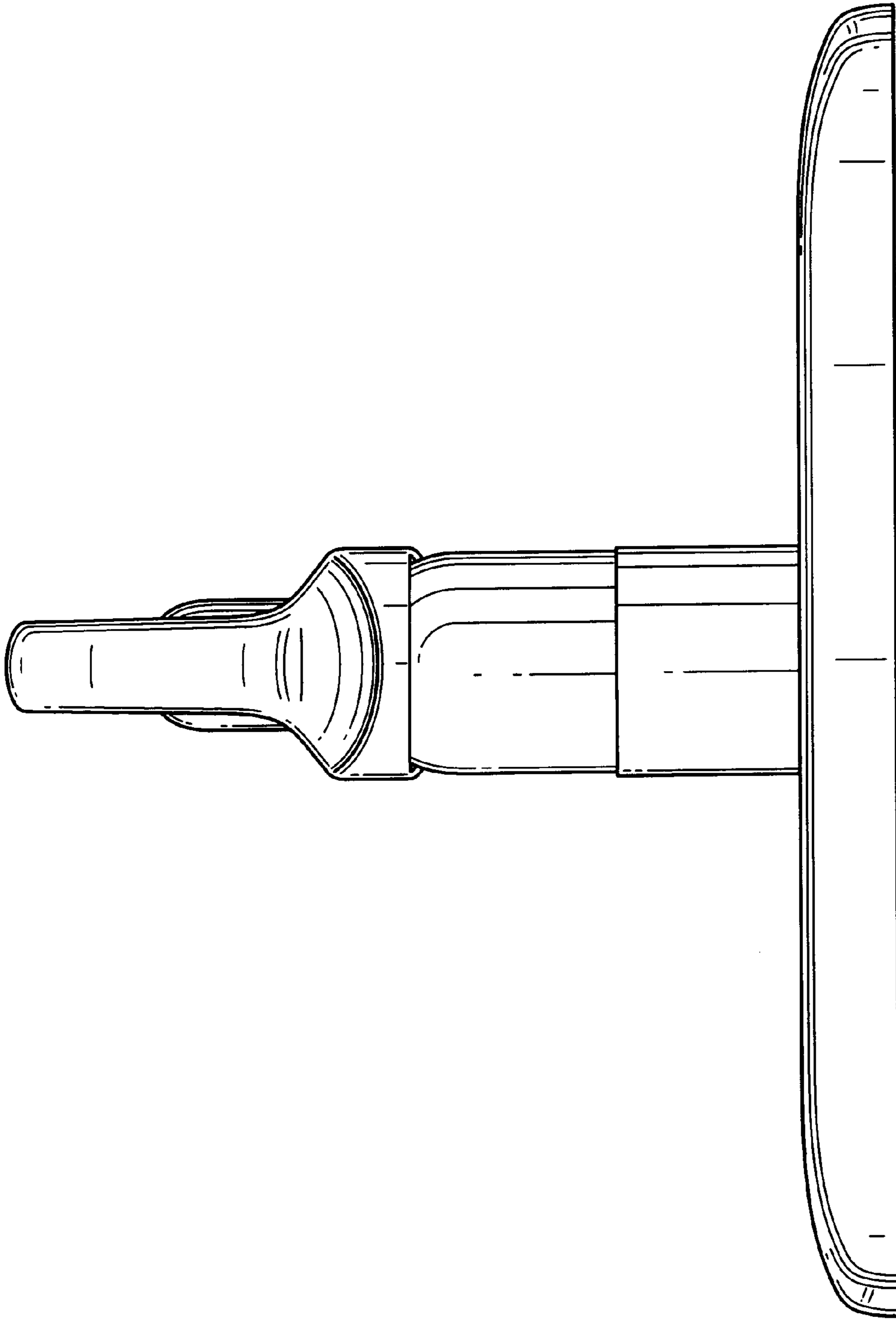


FIG. 3

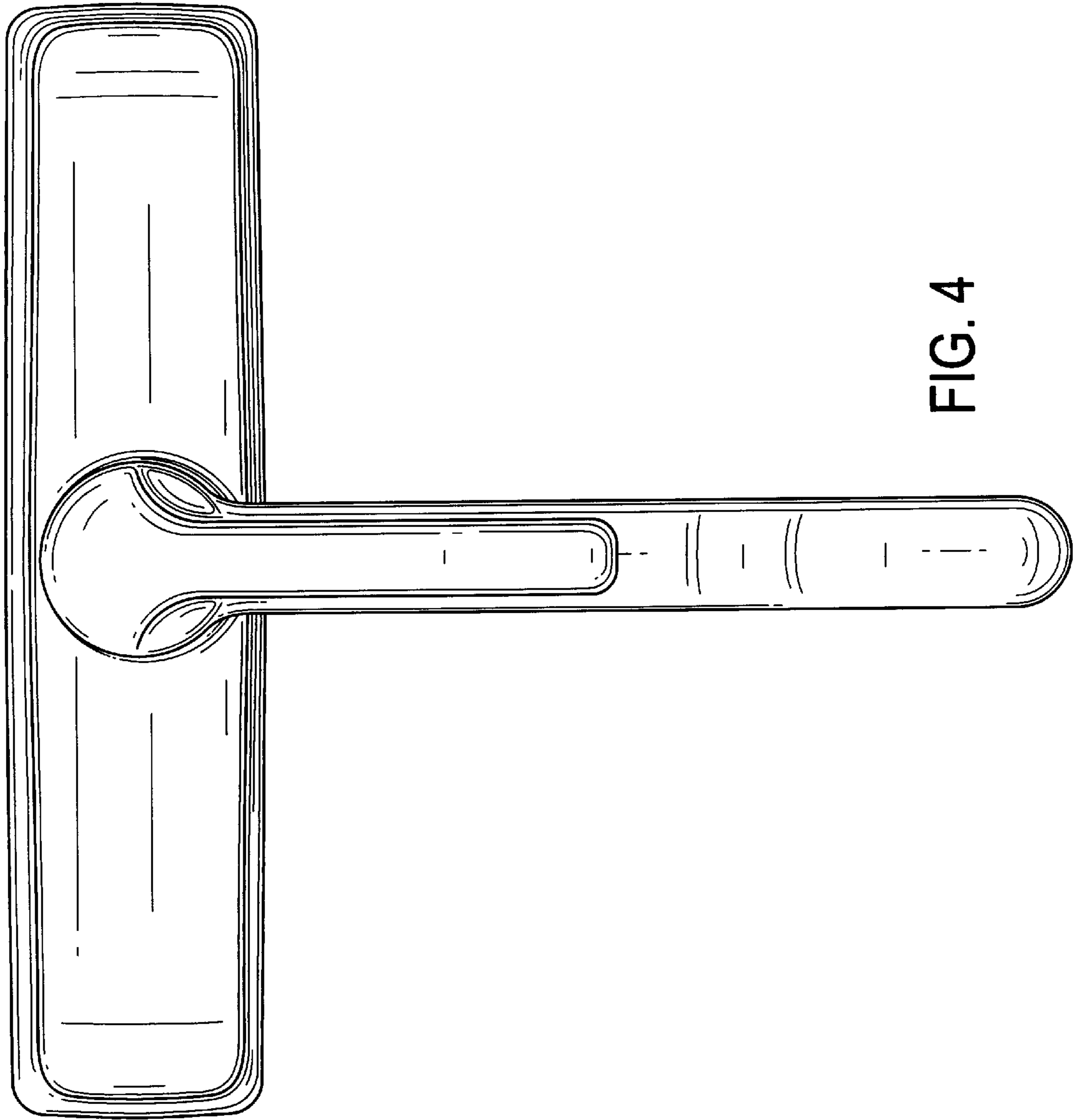


FIG. 4

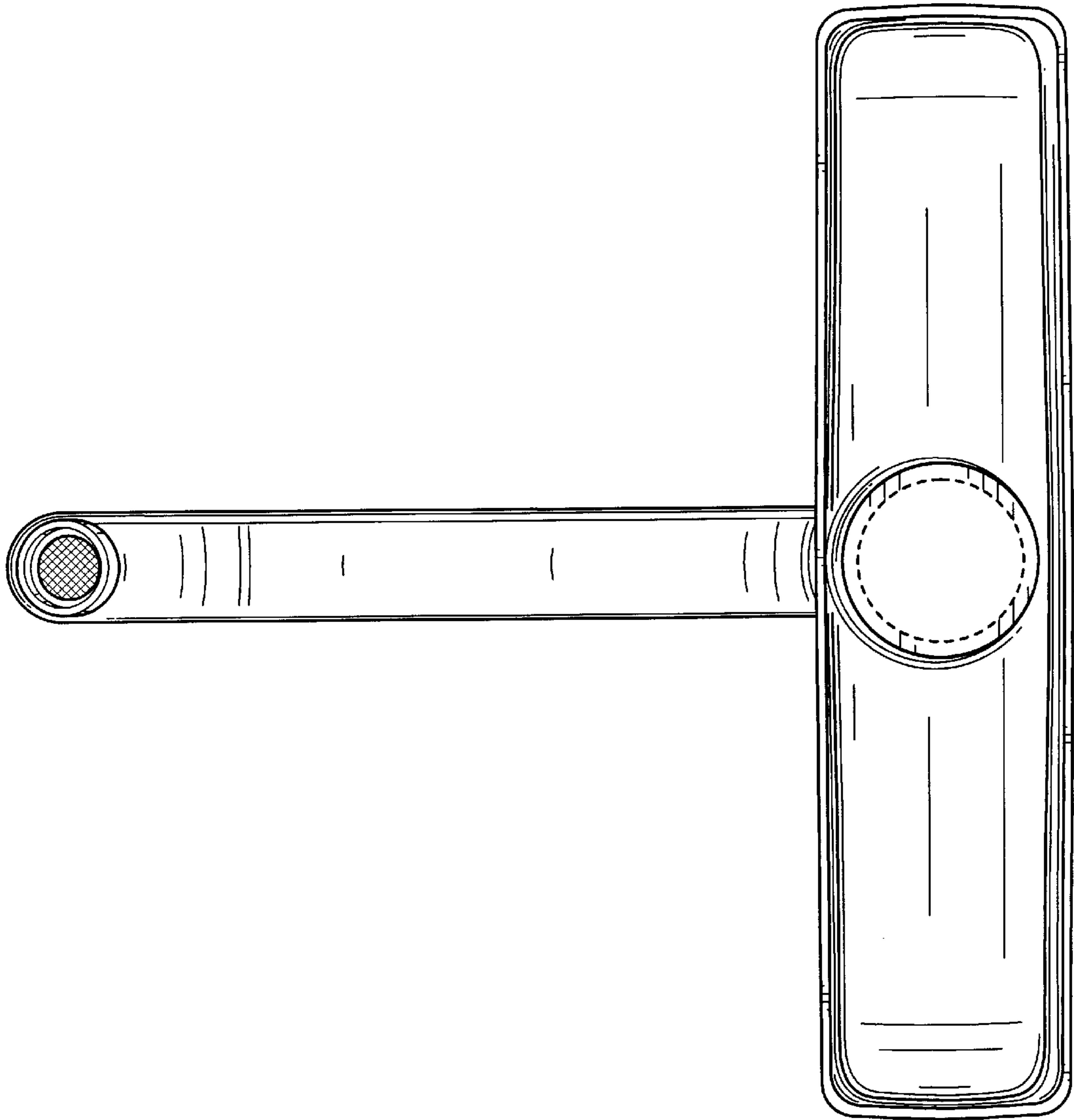


FIG. 5

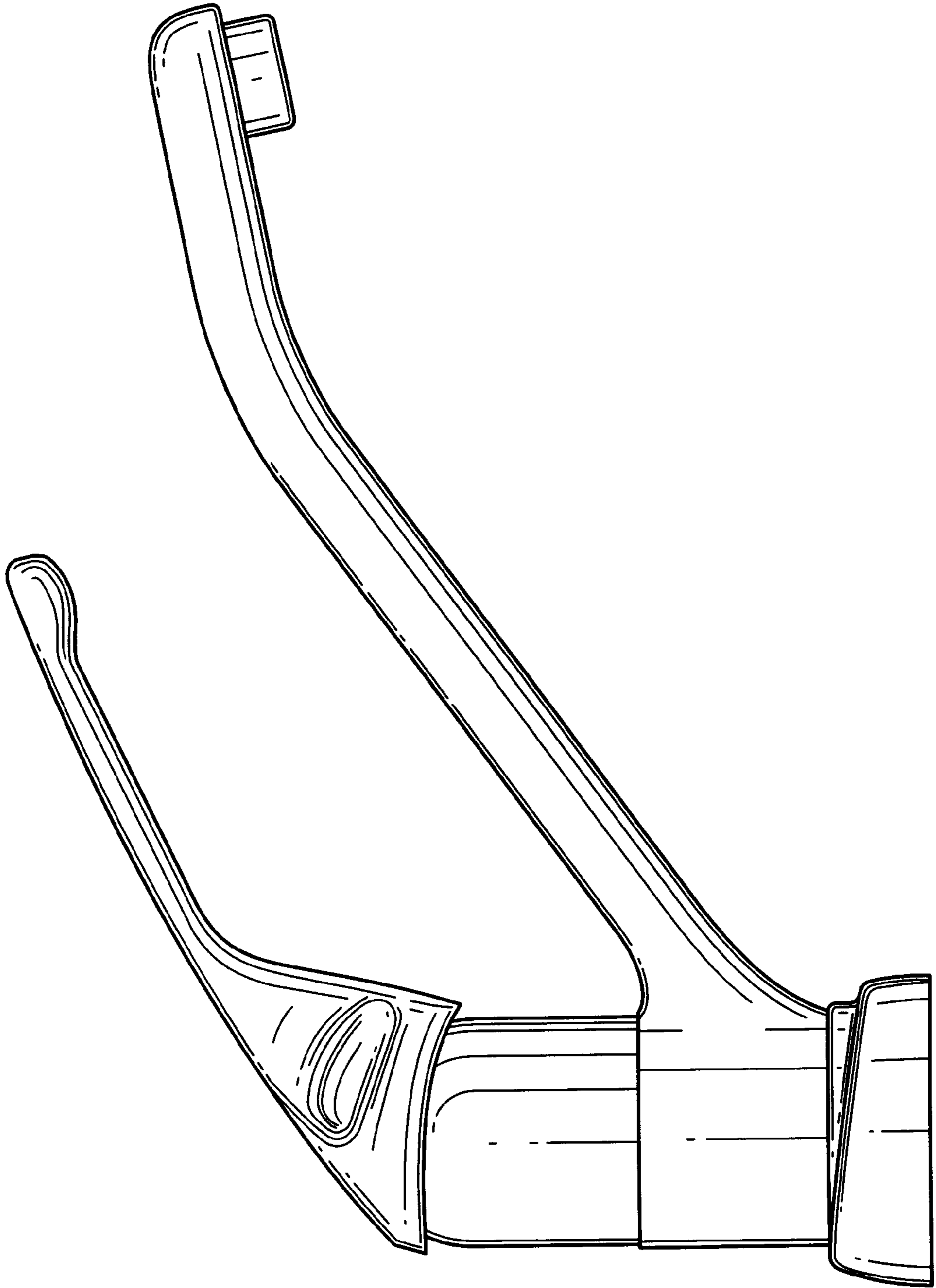


FIG. 6