



US00D428965S

United States Patent [19] Slothower

[11] Patent Number: **Des. 428,965**

[45] Date of Patent: **** Aug. 1, 2000**

[54] FAUCET

[75] Inventor: **Erich D. Slothower**, Sheboygan, Wis.

[73] Assignee: **Kohler Co.**, Kohler, Wis.

[**] Term: **14 Years**

[21] Appl. No.: **29/103,422**

[22] Filed: **Apr. 14, 1999**

[51] LOC (7) Cl. **23-01**

[52] U.S. Cl. **D23/238**

[58] Field of Search D23/238-243,
D23/250-257; 4/675-678; 137/801

[56] **References Cited**

U.S. PATENT DOCUMENTS

| | | | | |
|------------|---------|----------------|-------|---------|
| D. 140,557 | 3/1945 | Stanitz | | D23/238 |
| D. 251,794 | 5/1979 | Smith | | D23/238 |
| D. 254,801 | 4/1980 | Santi | | D23/238 |
| D. 268,608 | 4/1983 | Wilcock | | D23/238 |
| D. 281,095 | 10/1985 | Arnold et al. | | D23/238 |
| D. 281,096 | 10/1985 | Arnold et al. | | D23/238 |
| D. 320,645 | 10/1991 | Knapp et al. | | D23/238 |
| D. 326,897 | 6/1992 | Williams | | D23/238 |
| D. 327,117 | 6/1992 | Williams | | D23/238 |
| D. 327,529 | 6/1992 | Dannenberg | | D23/238 |
| D. 327,731 | 7/1992 | Kajpust et al. | | D23/238 |
| D. 329,083 | 9/1992 | Dannenberg | | D23/238 |
| D. 331,275 | 11/1992 | Knapp | | D23/238 |
| D. 337,812 | 7/1993 | Bray | | D23/238 |
| D. 350,591 | 9/1994 | Kawakami | | D23/238 |
| 4,262,699 | 4/1981 | Fabian | | 137/801 |
| 4,635,673 | 1/1987 | Gerdes | | 137/801 |
| 4,681,141 | 7/1987 | Wang | | 137/607 |

OTHER PUBLICATIONS

Undated Newform ad showing "Mono" faucet, admitted prior art.

Undated Chicago Faucet catalog ad, p. 3, showing a "350-372" faucet, admitted prior art.

Undated Harden catalog ad, p. 21, showing a "D-38-4Z-2-0A-A" faucet, admitted prior art.

Primary Examiner—Eric Watterson
Attorney, Agent, or Firm—Quarles & Brady LLP

[57] **CLAIM**

The ornamental design for a faucet, as shown and described.

DESCRIPTION

FIG. 1 is a right, top, front perspective view of a faucet embodying my new new design;

FIG. 2 is a front elevational view thereof;

FIG. 3 is a right side elevational view thereof;

FIG. 4 is a rear elevational view thereof;

FIG. 5 is a left side elevational view thereof;

FIG. 6 is a top plan view thereof;

FIG. 7 is a bottom plan view thereof; and,

FIG. 8 is a front elevational view of a second embodiment, the left side elevational view being a mirror image of that shown in FIG. 3, the rear elevational view being a mirror image of that shown in FIG. 4, the right side elevational view being a mirror image of that shown in FIG. 5, the top plan view being a mirror image of that shown in FIG. 6, and the bottom plan view being a mirror image of that shown in FIG. 7.

The broken line representations of a mounting environment in FIG. 1, of a button in FIGS. 3-6, and of mounting structure in FIG. 7, are for the purpose of illustration only, and form no part of the claimed design.

1 Claim, 5 Drawing Sheets

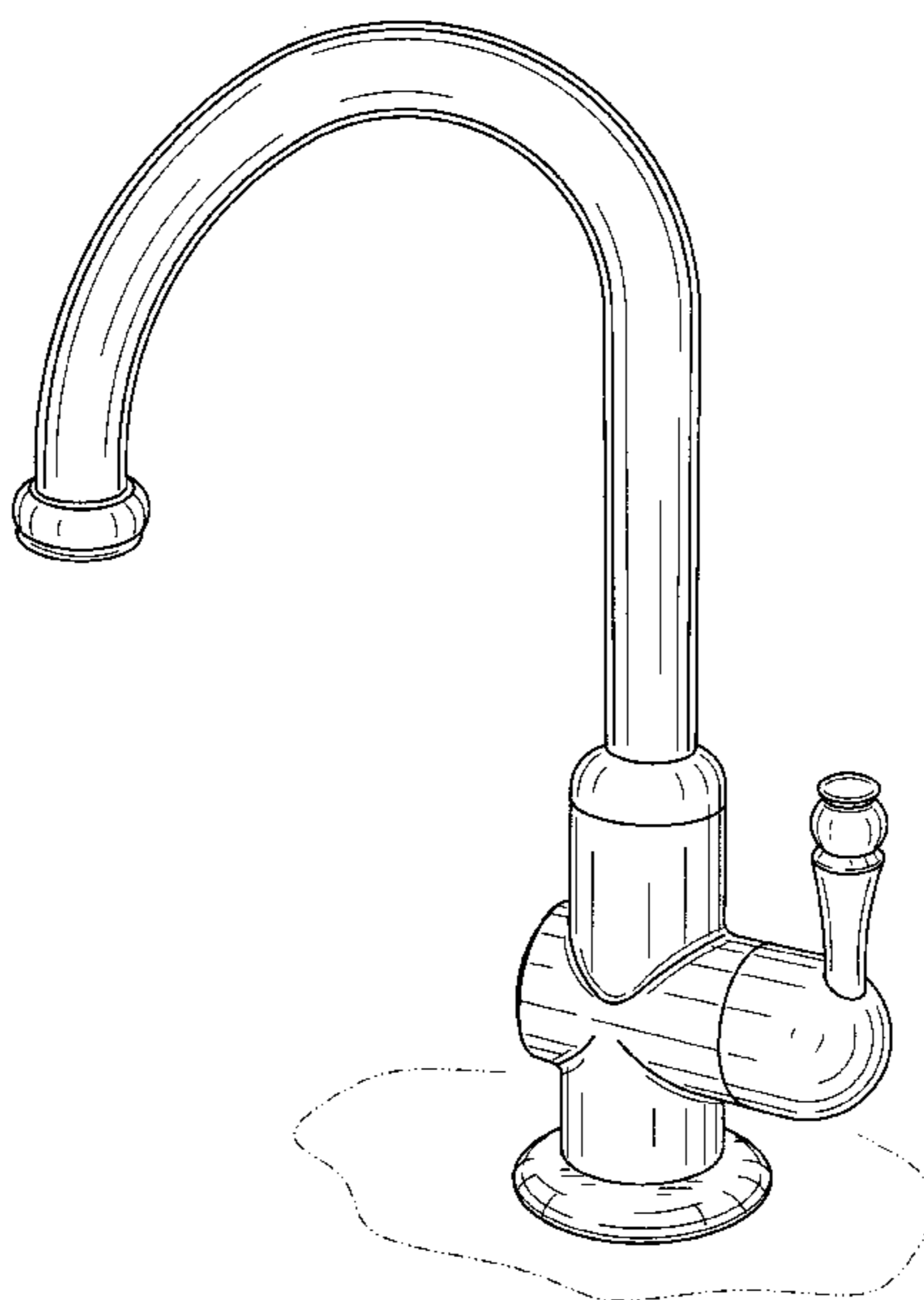


FIG. 1

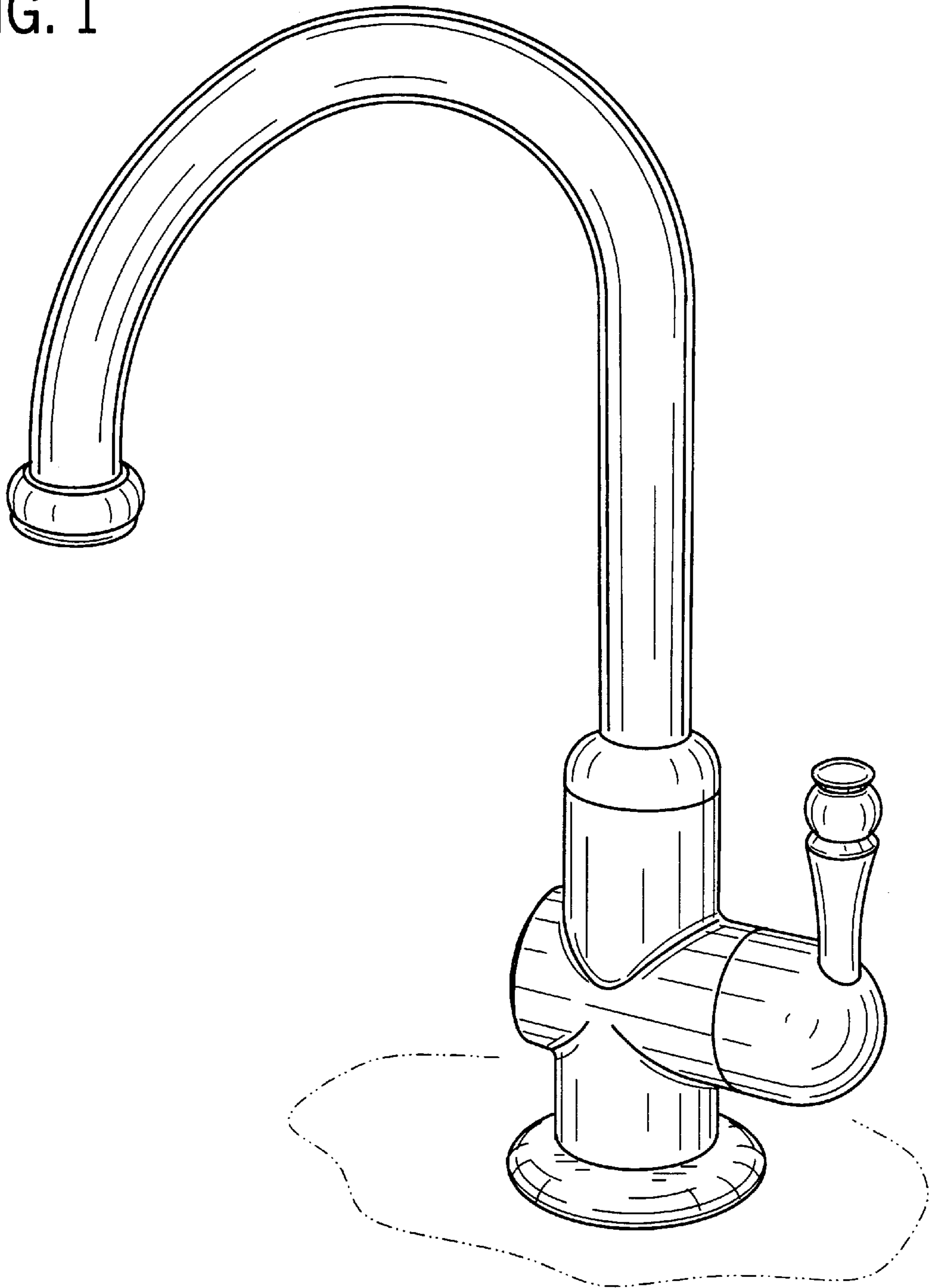


FIG. 2

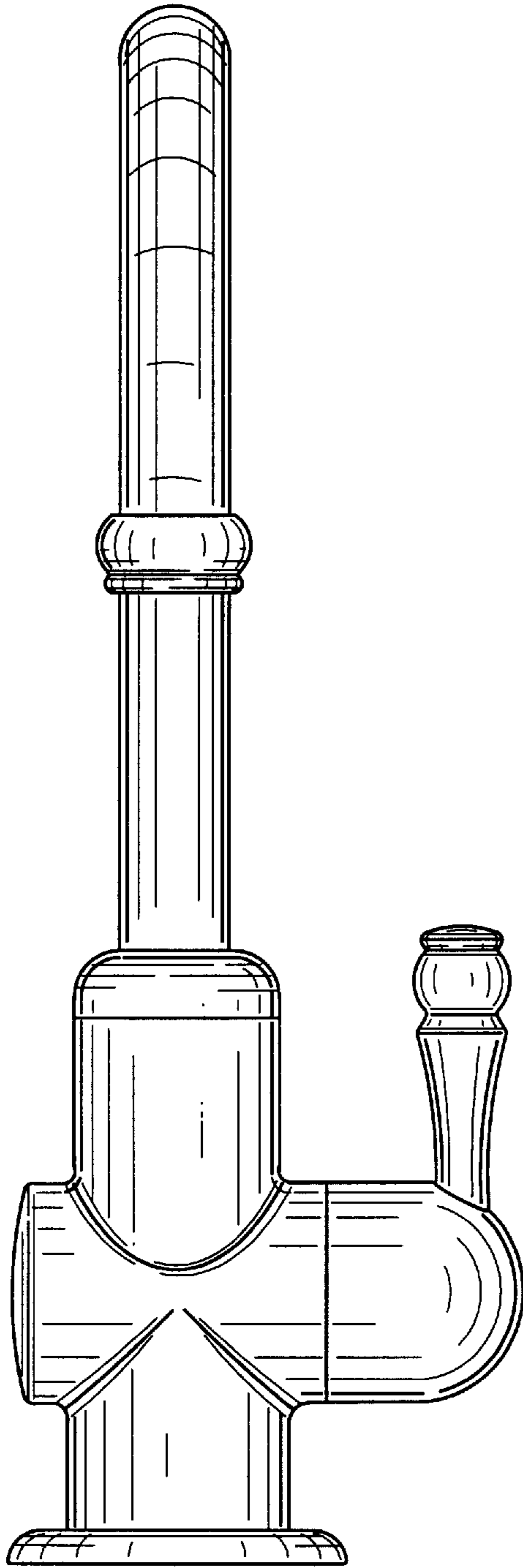
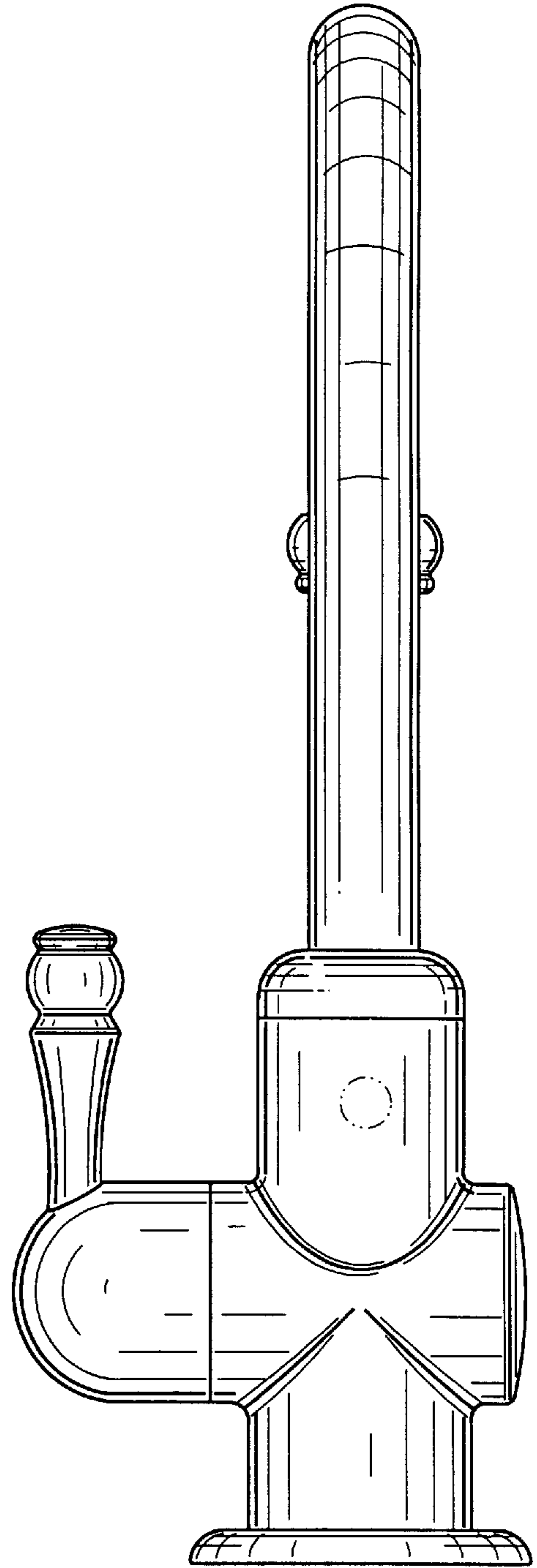


FIG. 4



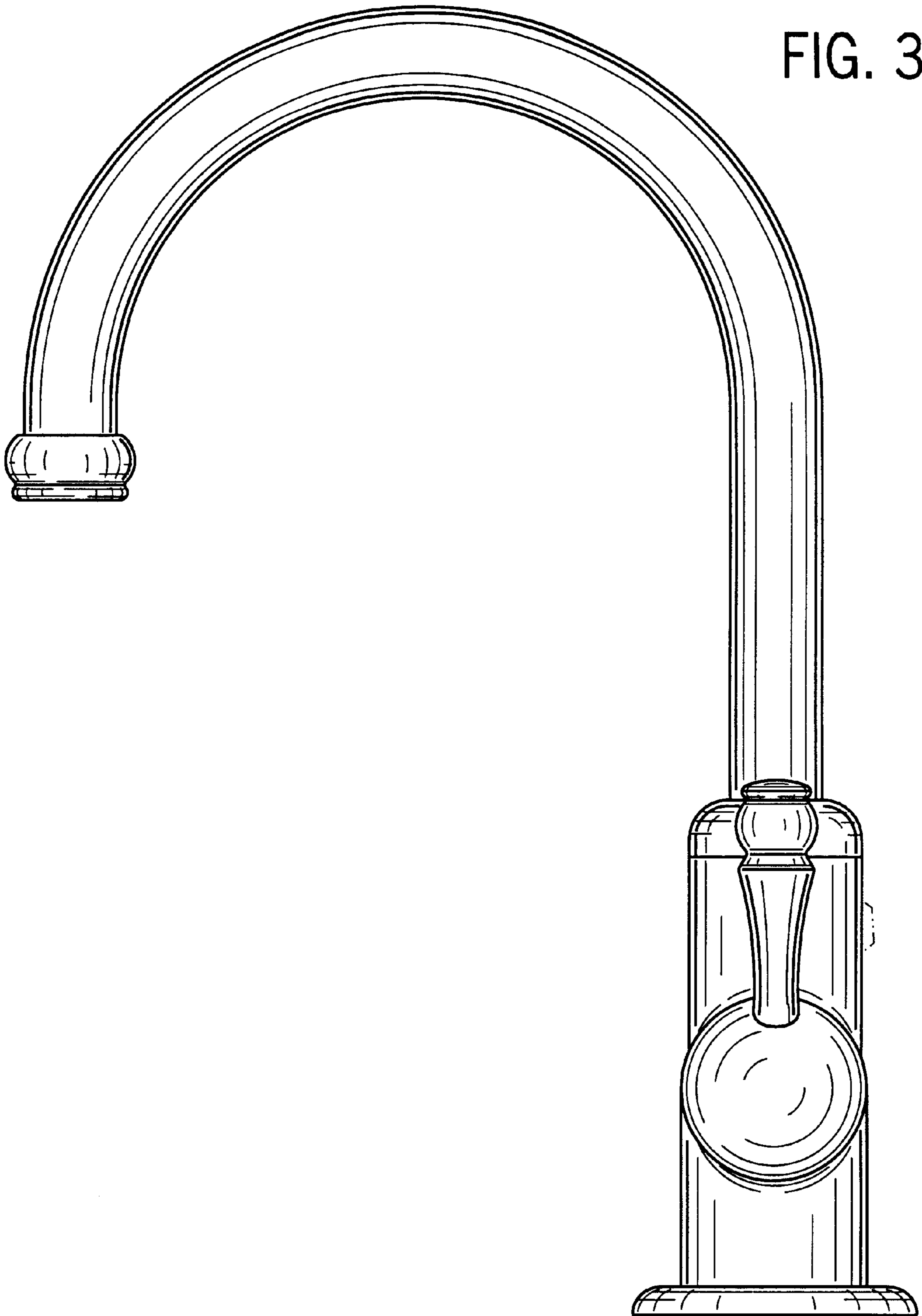
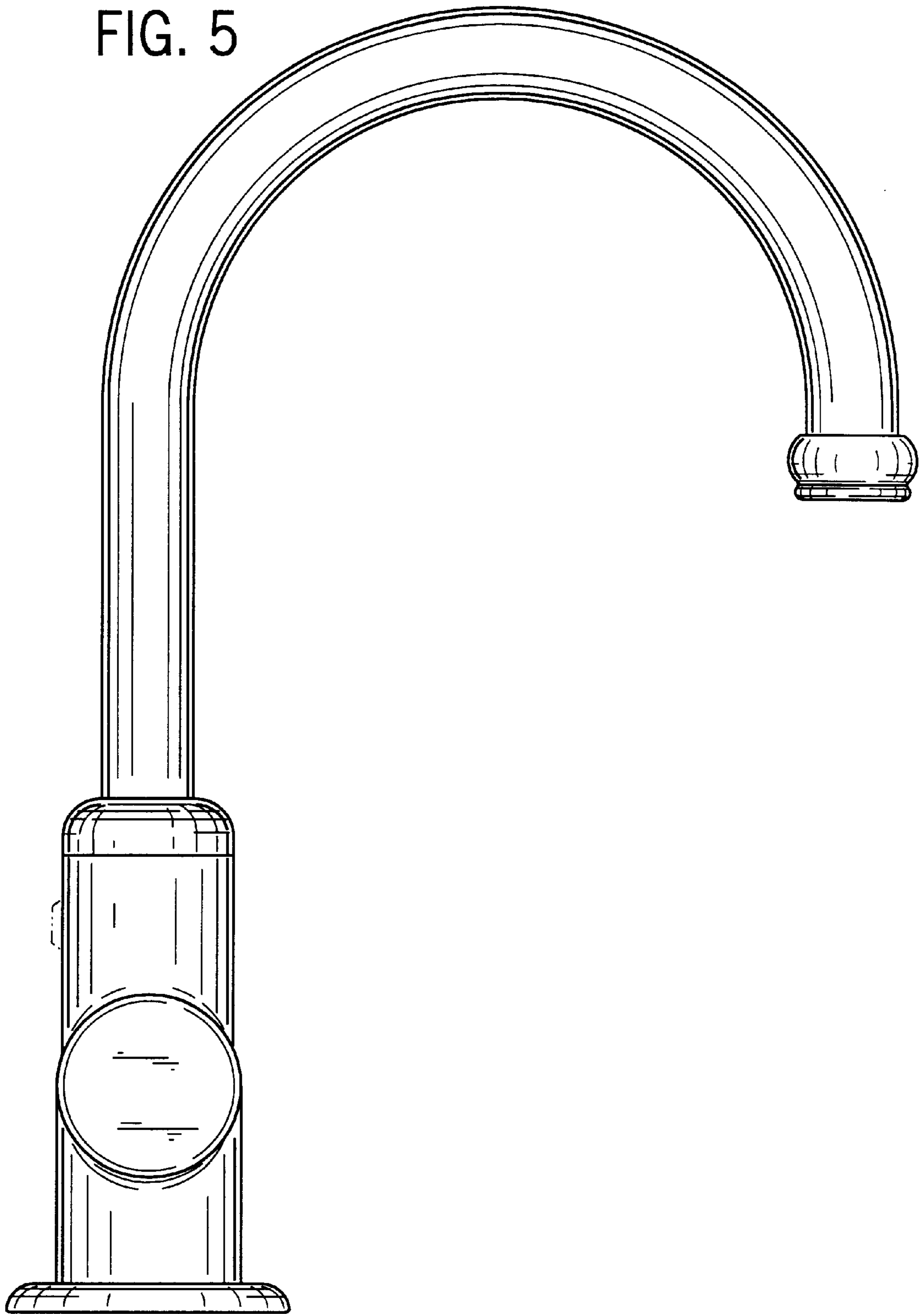


FIG. 3

FIG. 5



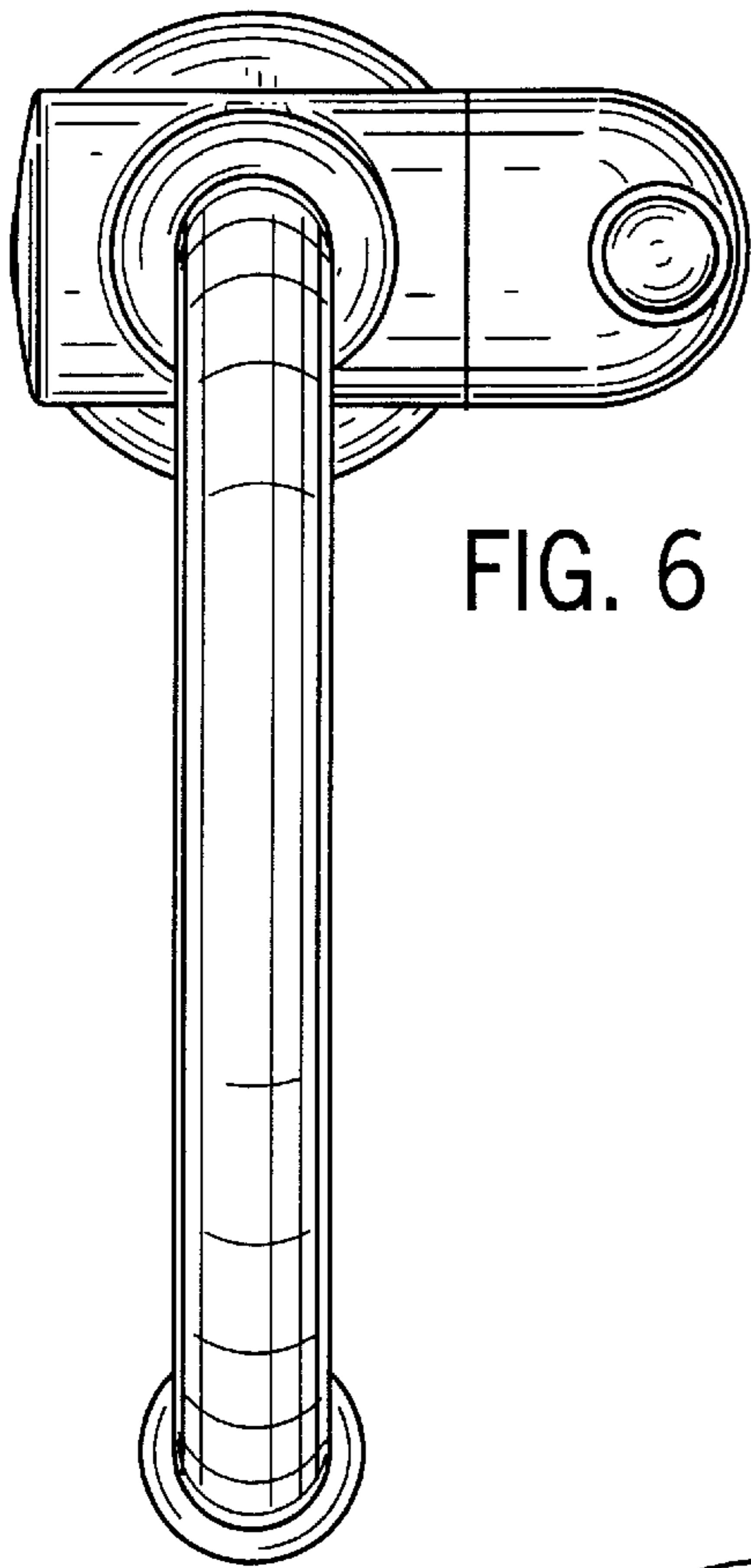


FIG. 6

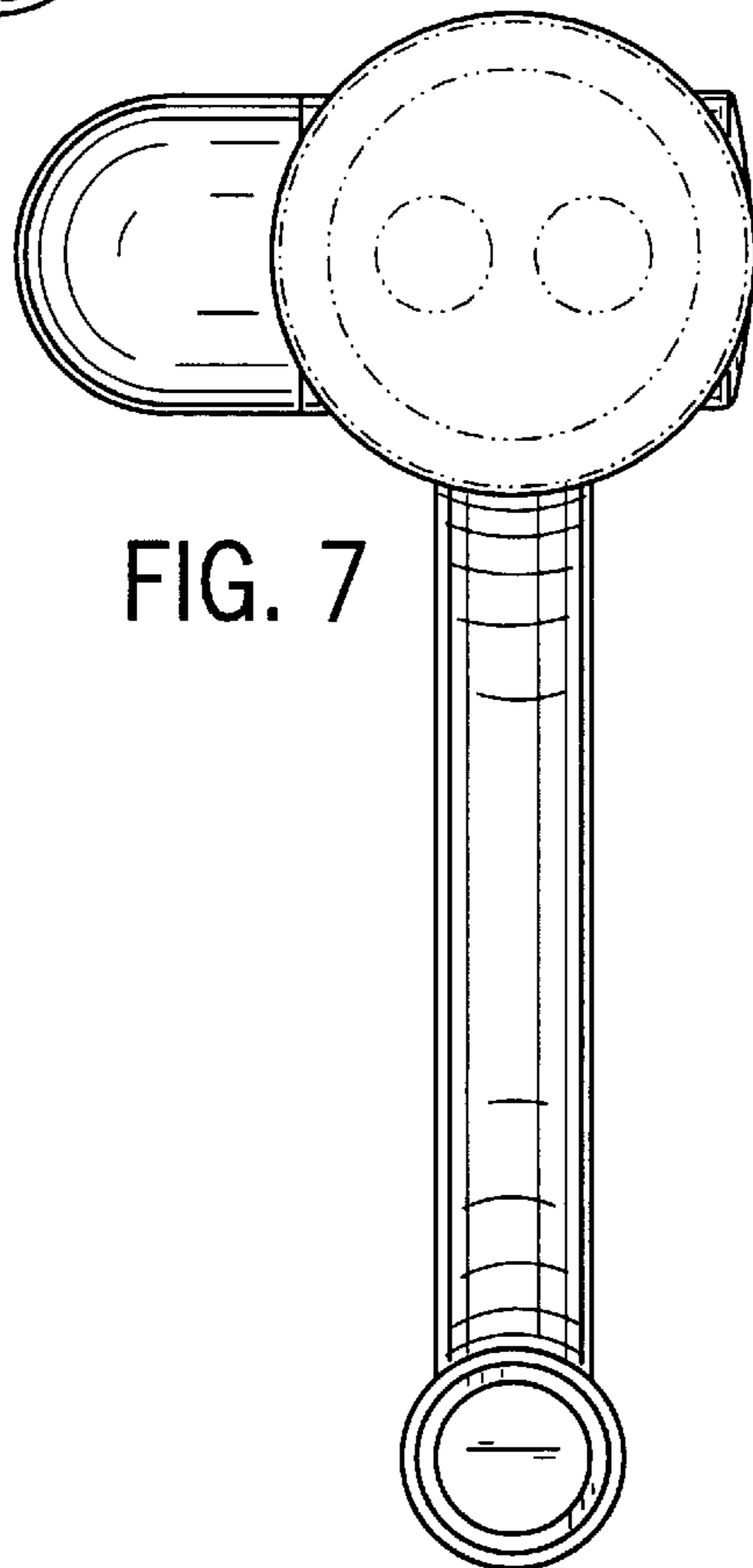


FIG. 7

FIG. 8

