



US00D428964S

United States Patent [19] King

[11] Patent Number: **Des. 428,964**

[45] Date of Patent: **** Aug. 1, 2000**

[54] **HOSE AND NOZZLE COVER**

Primary Examiner—Robin V. Taylor

[76] Inventor: **Tony King**, 5048 Ellenwood Dr.,
Eaglerock, Calif. 90041

[57] **CLAIM**

The ornamental design for a hose and nozzle cover, as shown and described.

[**] Term: **14 Years**

DESCRIPTION

[21] Appl. No.: **29/112,715**

FIG. 1 is an exploded left side elevational view of the hose and nozzle cover of the present invention, the right side elevational view being a mirror image of thereof;

[22] Filed: **Oct. 22, 1999**

FIG. 2 is an exploded front elevational view of the hose and nozzle cover of FIG. 1;

[51] **LOC (7) Cl.** **23-01**

[52] **U.S. Cl.** **D23/213; D23/266**

FIG. 3 is an exploded back elevational view of the hose and nozzle cover of FIG. 1;

[58] **Field of Search** **D23/213, 266;**
138/109, 110, 121

FIG. 4 is an exploded top plan view of the hose and nozzle cover of FIG. 1; and,

[56] **References Cited**

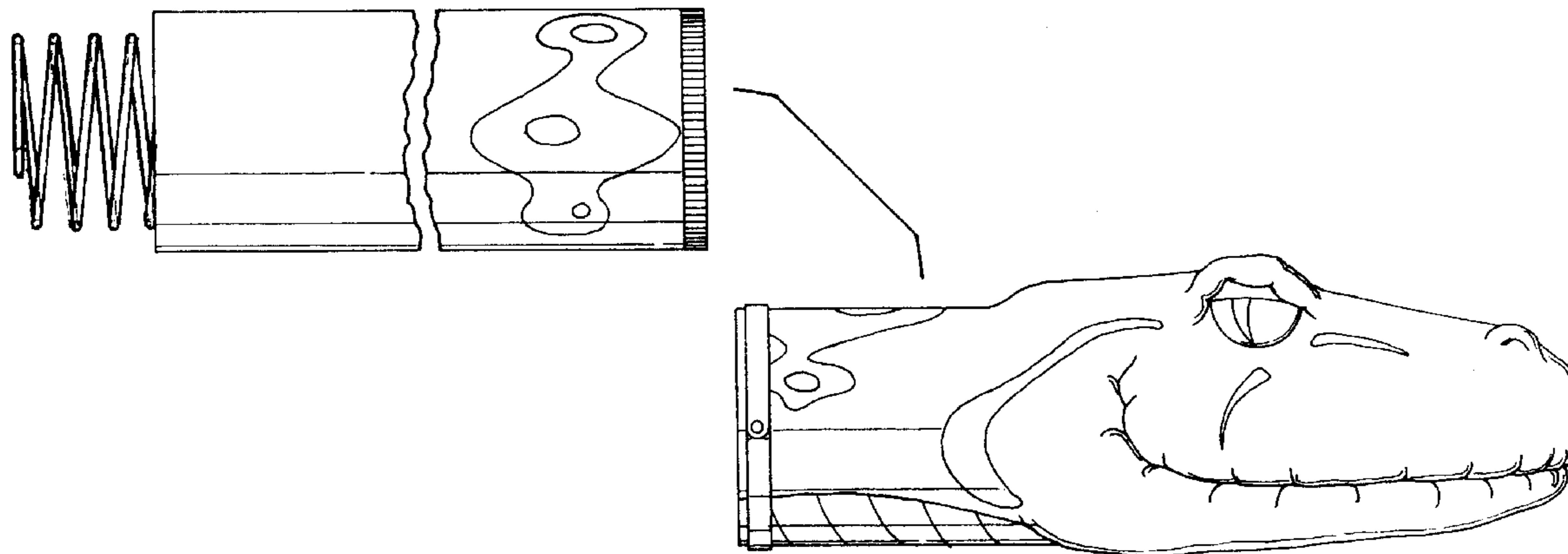
U.S. PATENT DOCUMENTS

D. 356,858	3/1995	Folkman	D23/266
5,277,227	1/1994	Bradshaw et al.	138/110
5,333,650	8/1994	Folkman	138/109
5,406,871	4/1995	Lambert	138/110
6,032,700	3/2000	Macedone	138/110

FIG. 5 is an exploded bottom plan view of the hose and nozzle cover of FIG. 1.

The claimed design is shown fragmented in FIGS. 1, 4 and 5 to indicate indeterminate length.

1 Claim, 2 Drawing Sheets



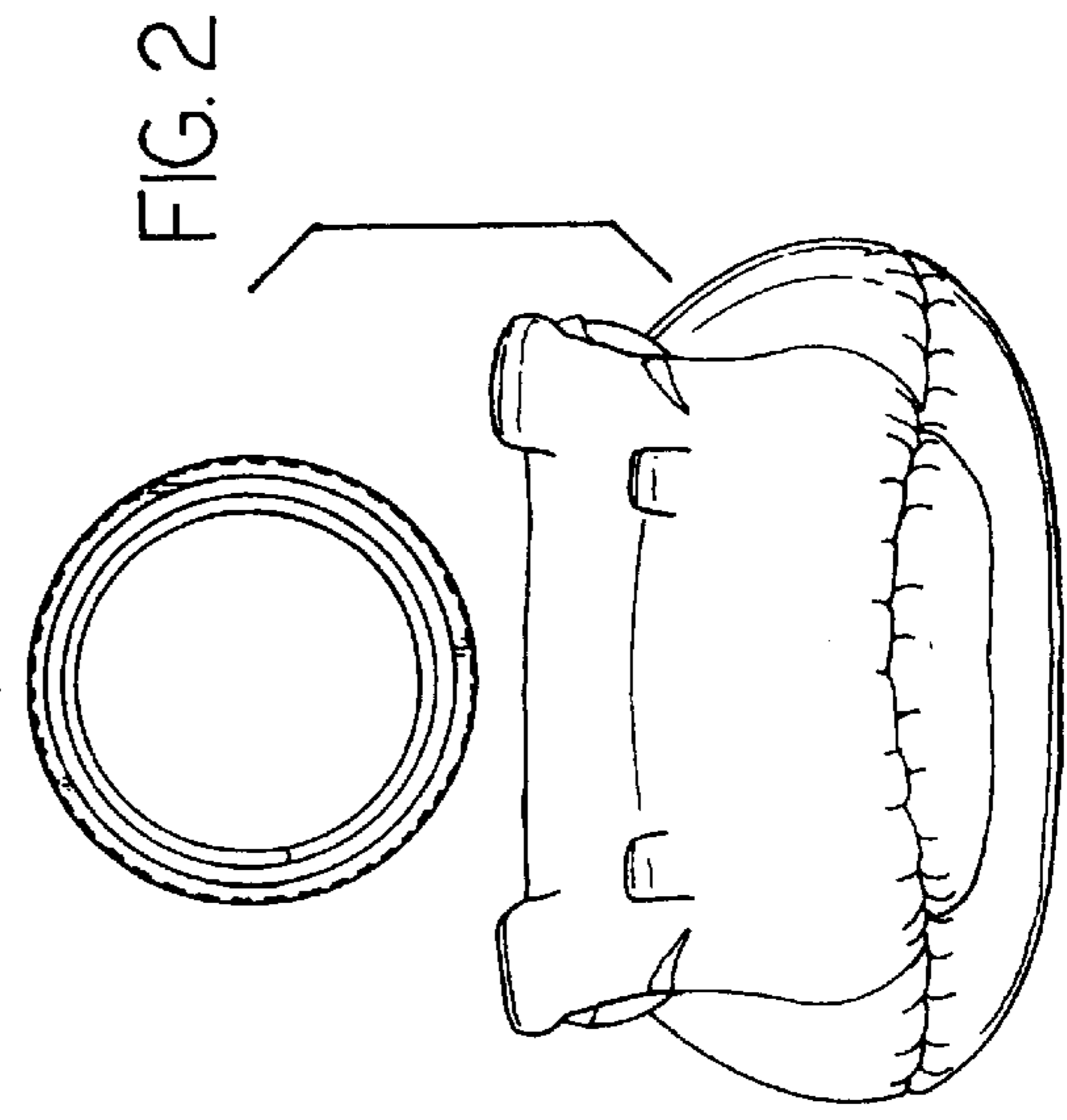
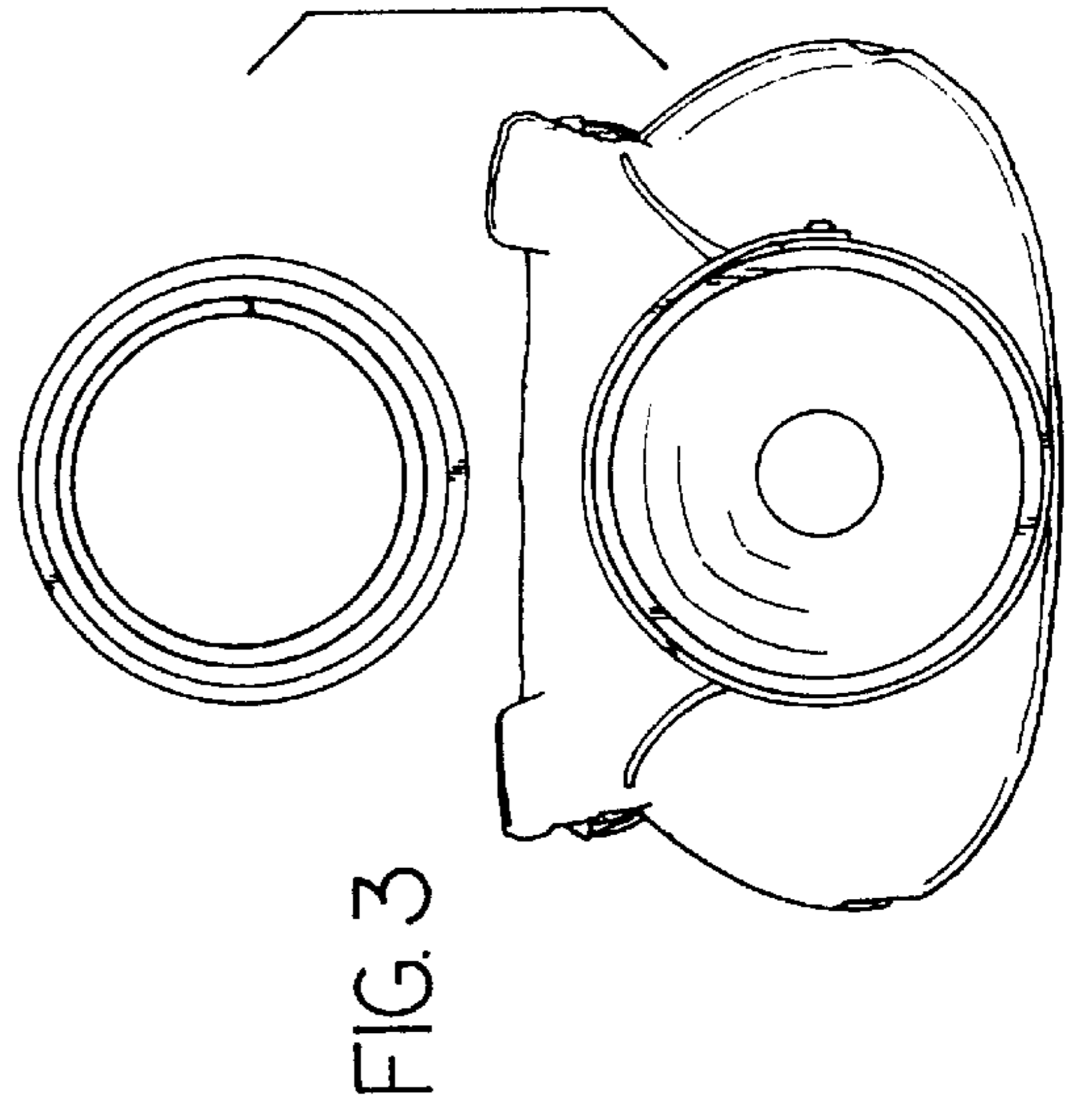
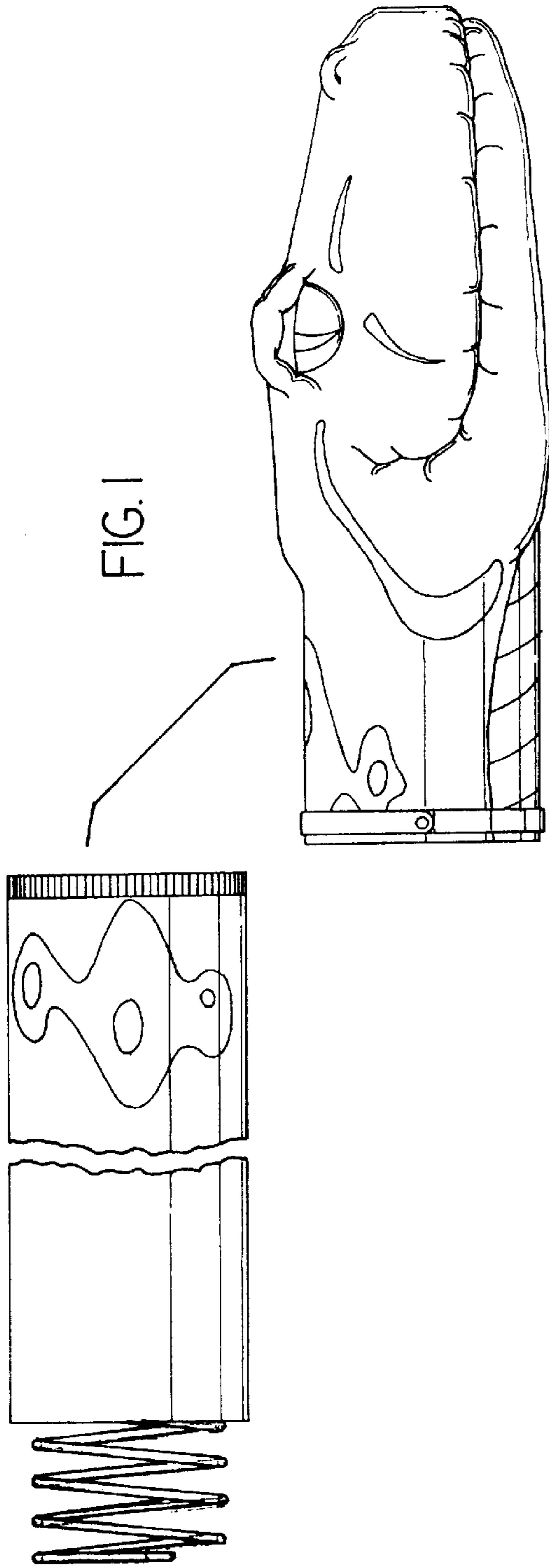


FIG. 4

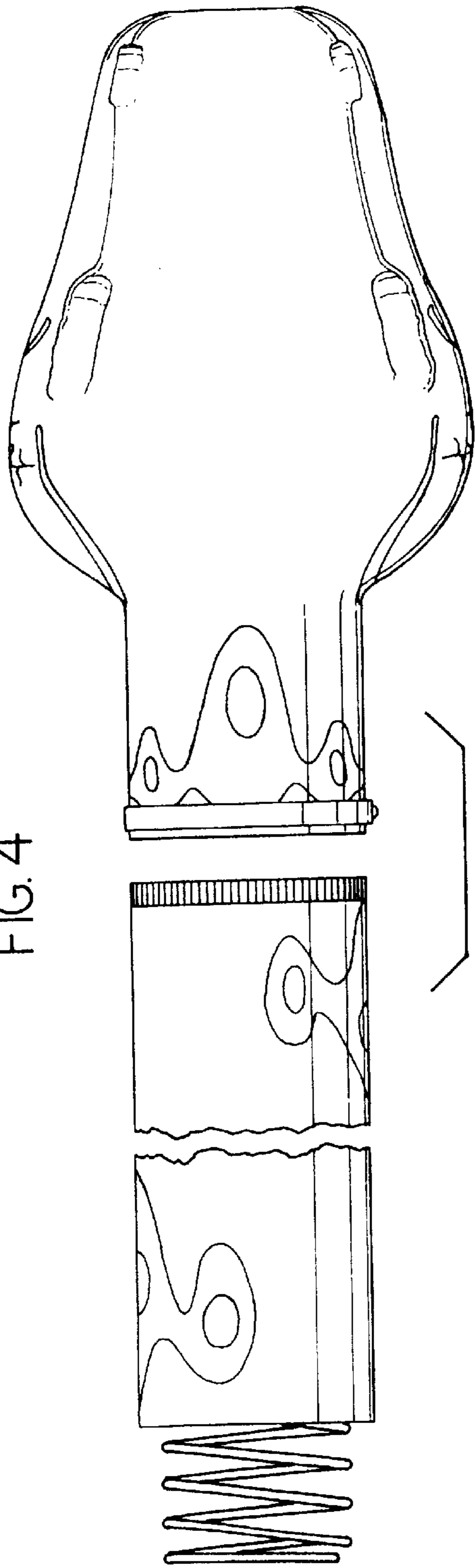


FIG. 5

